



US00D469576S

(12) **United States Design Patent**
Spagnolo

(10) **Patent No.: US D469,576 S**

(45) **Date of Patent: ** *Jan. 28, 2003**

(54) **CURLING IRON**

(75) Inventor: **Pino Spagnolo**, Turin (IT)

(73) Assignee: **Conair Corporation**, Stamford, CT (US)

(*) Notice: This patent is subject to a terminal disclaimer.

(**) Term: **14 Years**

(21) Appl. No.: **29/127,264**

(22) Filed: **Aug. 2, 2000**

(51) **LOC (7) Cl. 28-03**

(52) **U.S. Cl. D28/35**

(58) **Field of Search D28/35, 10; 132/212, 132/223-269; 219/222, 225**

(56) **References Cited**

U.S. PATENT DOCUMENTS

3,768,491	A	*	10/1973	Barradas	132/232
D281,823	S	*	12/1985	Sherman	D28/35
D321,952	S	*	11/1991	Montagnino et al.	D28/35
5,526,829	A	*	6/1996	Smith	132/229
D384,439	S	*	9/1997	Howard	D28/35

FOREIGN PATENT DOCUMENTS

GB	2059808	*	10/1996	28/3
----	---------	---	---------	-------	------

OTHER PUBLICATIONS

Hong Kong Enterprise Nov. 1986, p. 113: curling iron at center.*

Hong Kong Enterprise Oct. 1999, p. 272; items indicated by arrows.*

* cited by examiner

Primary Examiner—Adir Aronovich

Assistant Examiner—C Tuttle

(74) *Attorney, Agent, or Firm*—Ohlandt, Greeley, Ruggiero & Perle, LLP

(57) **CLAIM**

The ornamental design for the curling iron, as shown and described in the accompanying figures.

DESCRIPTION

FIG. 1 is a perspective view of a curling iron according to the present invention;

FIG. 2 is a right side view of the curling iron of FIG. 1;

FIG. 3 is a left side view of the curling iron of FIG. 1;

FIG. 4 is a top view of the curling iron of FIG. 1;

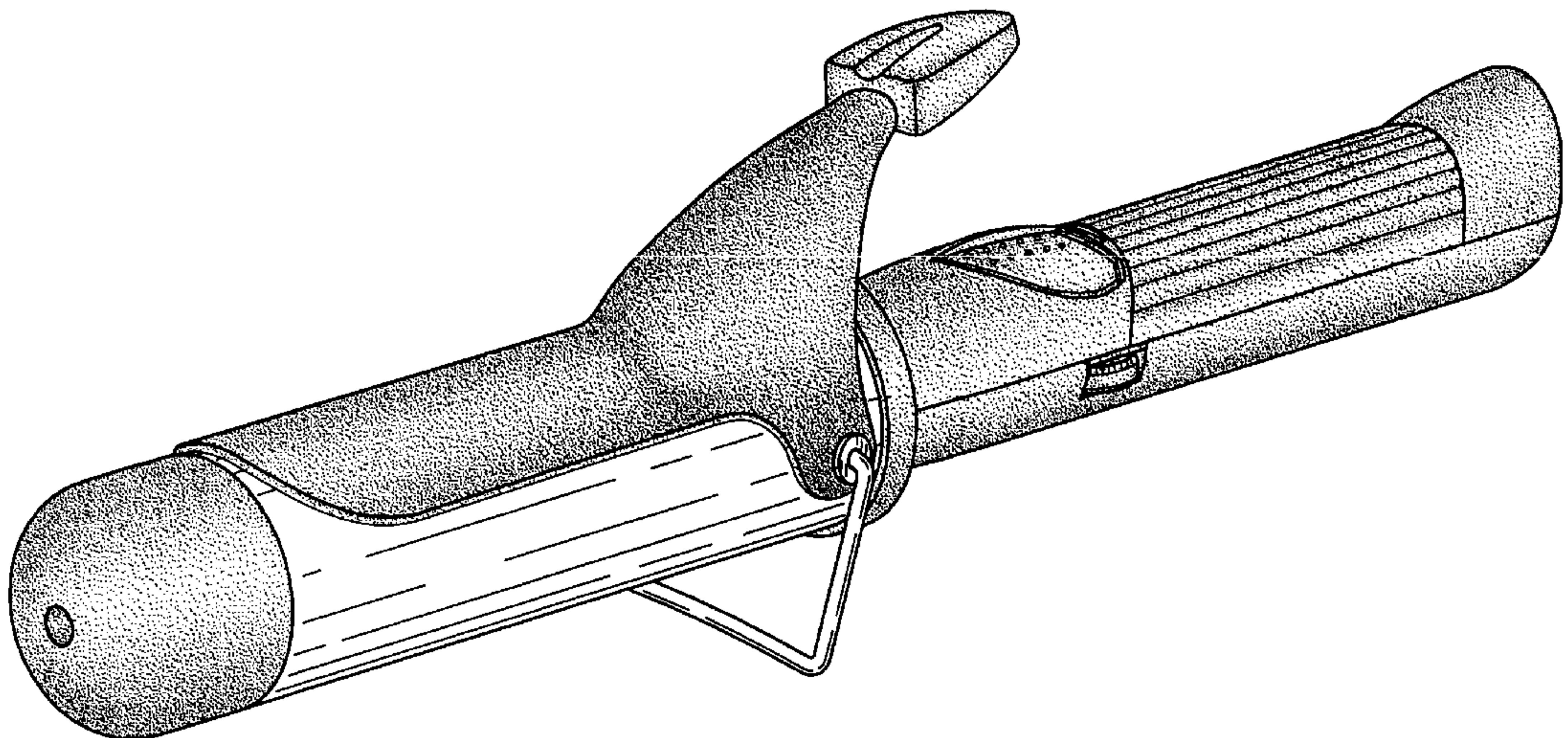
FIG. 5 is a bottom view of the curling iron of FIG. 1;

FIG. 6 is a front end view of the curling iron of FIG. 1; and,

FIG. 7 is a rear end view of the curling iron of FIG. 1.

The element shown in broken line in FIGS. 2 and 3 is for illustrative purposes only; and forms no part of the claimed design.

1 Claim, 4 Drawing Sheets



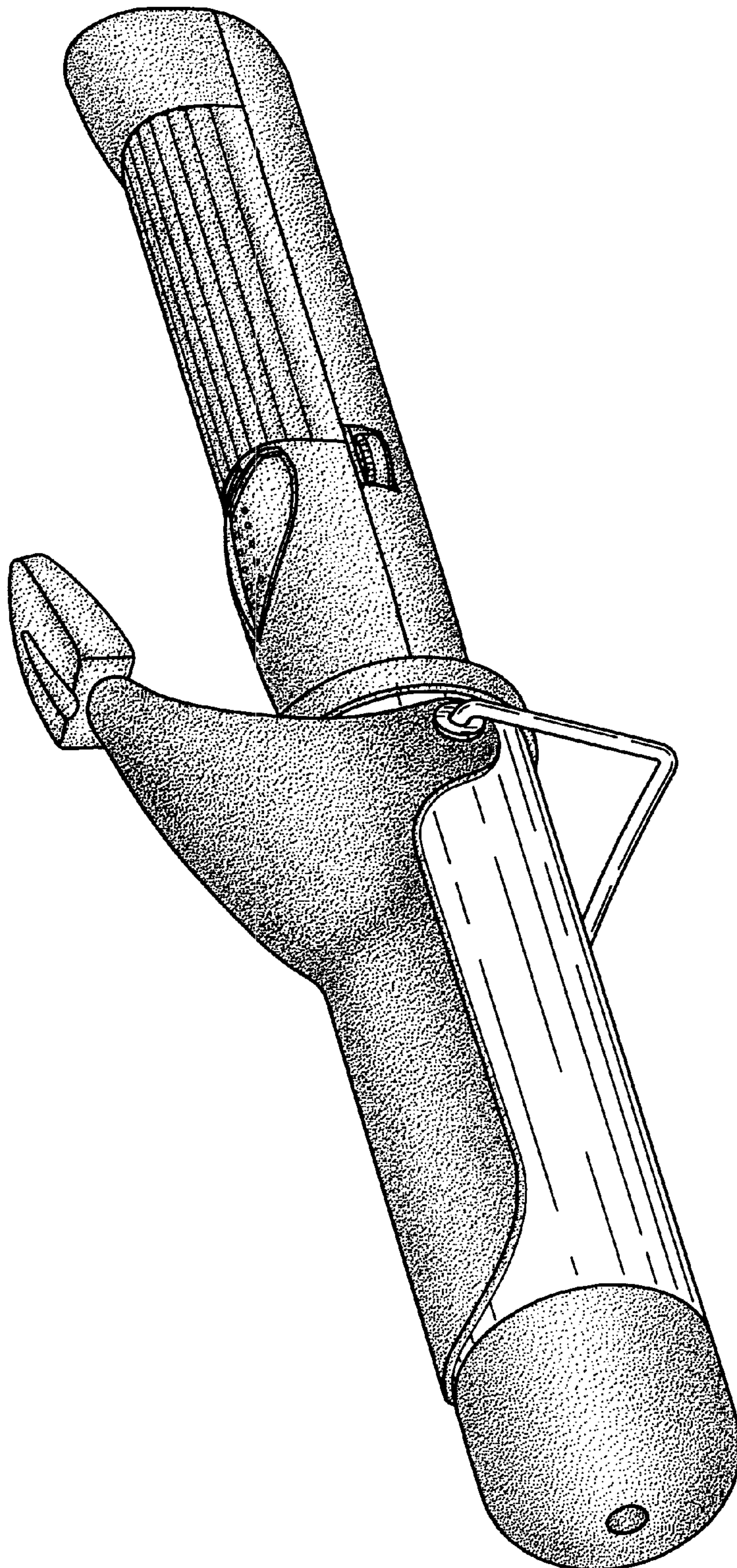


FIG. 1

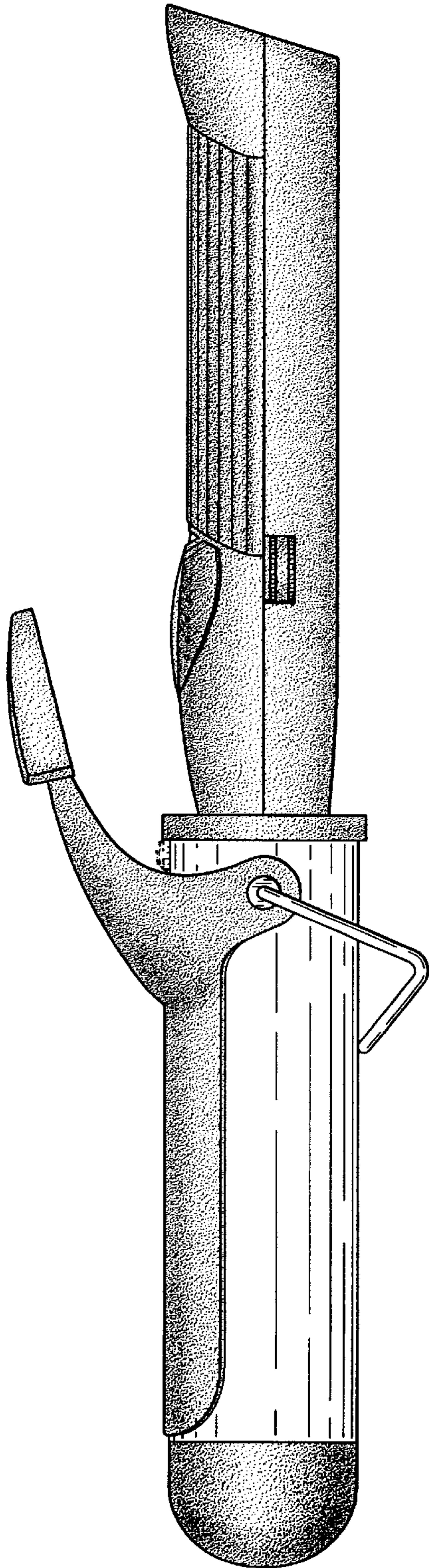


FIG. 2

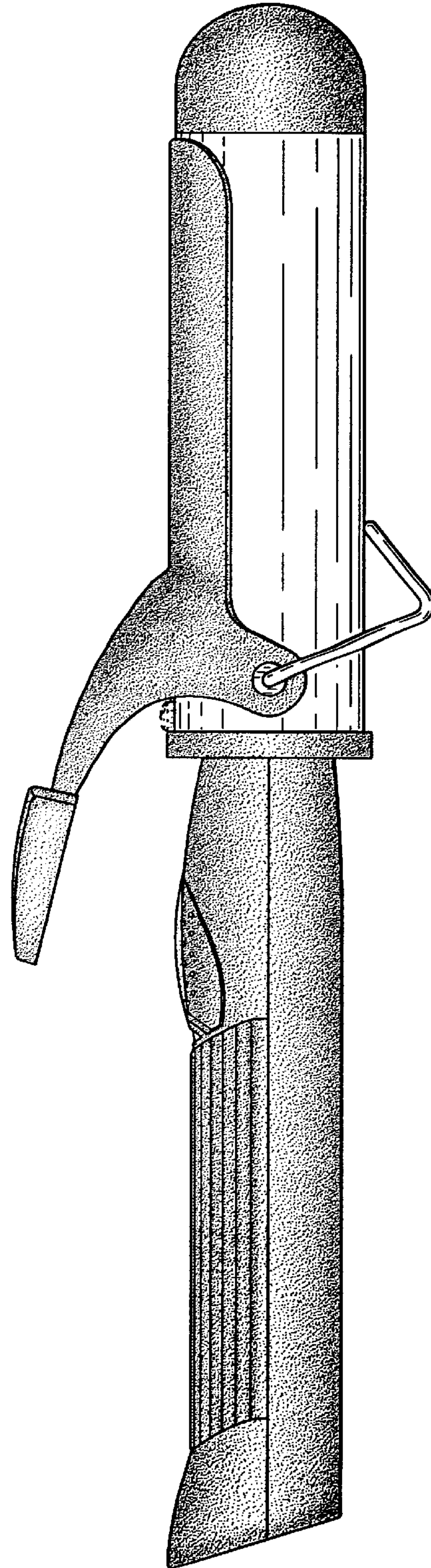


FIG. 3

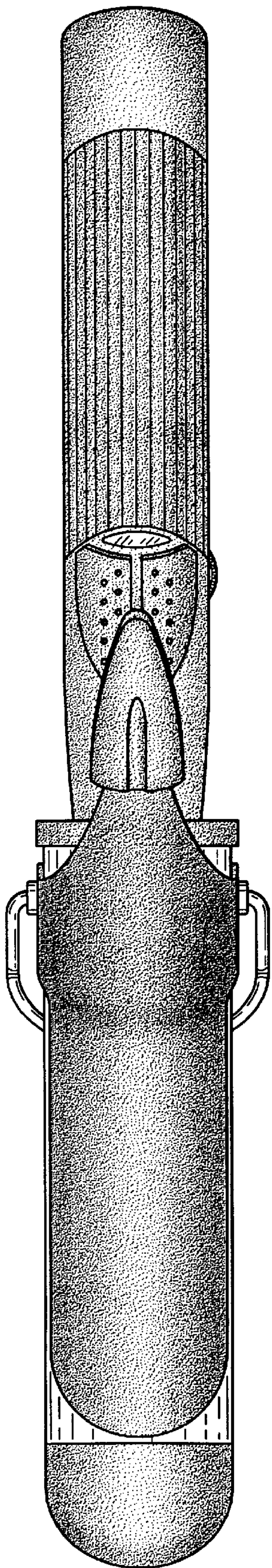


FIG. 4

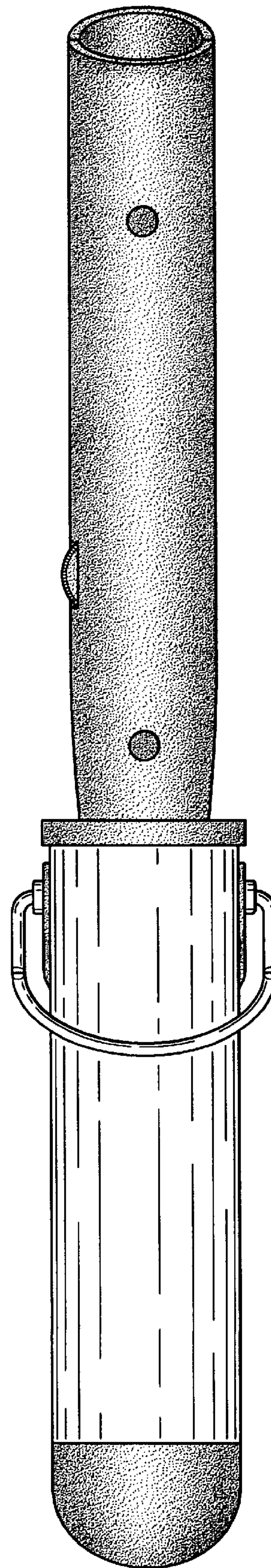


FIG. 5

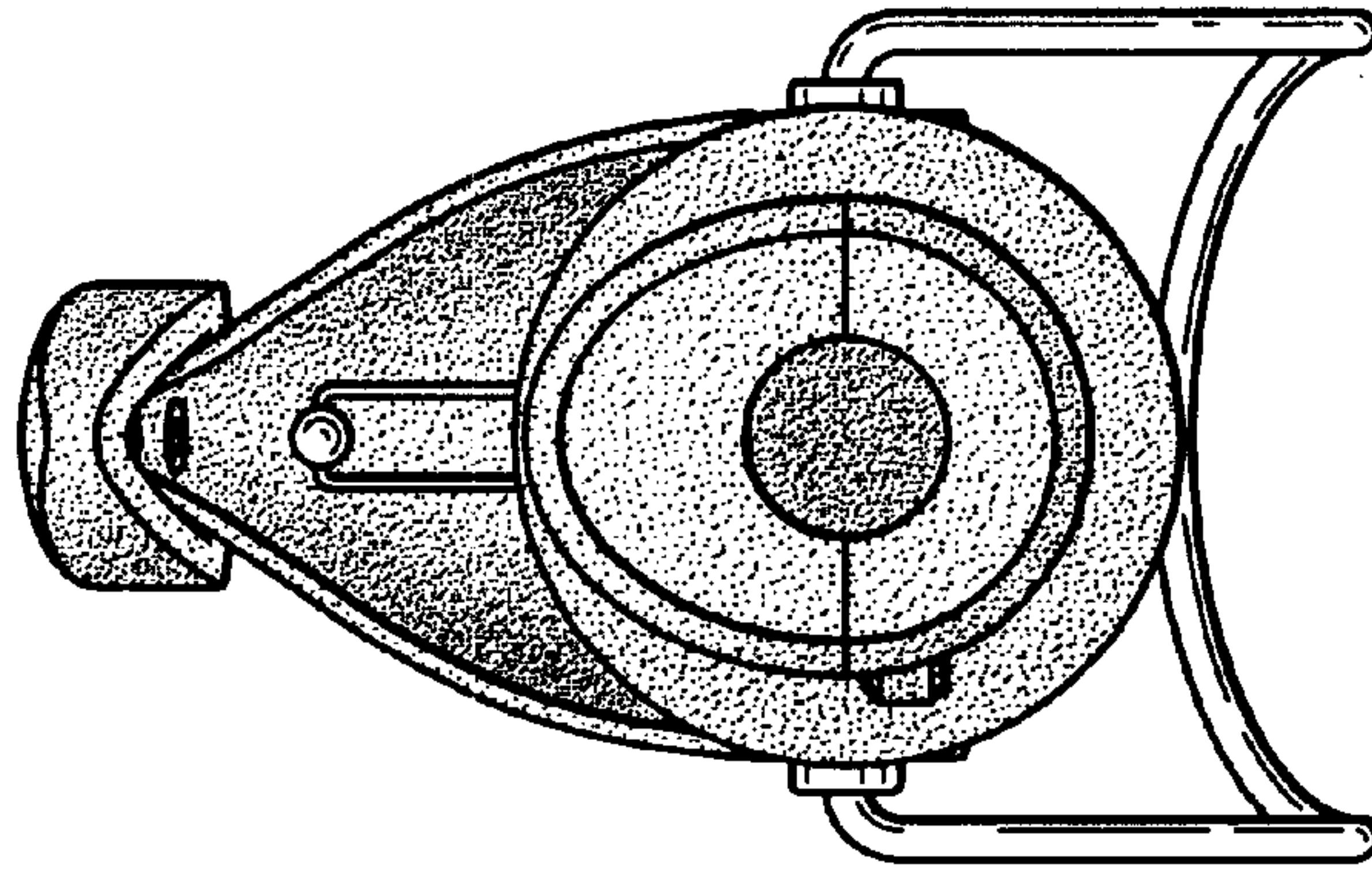


FIG. 6

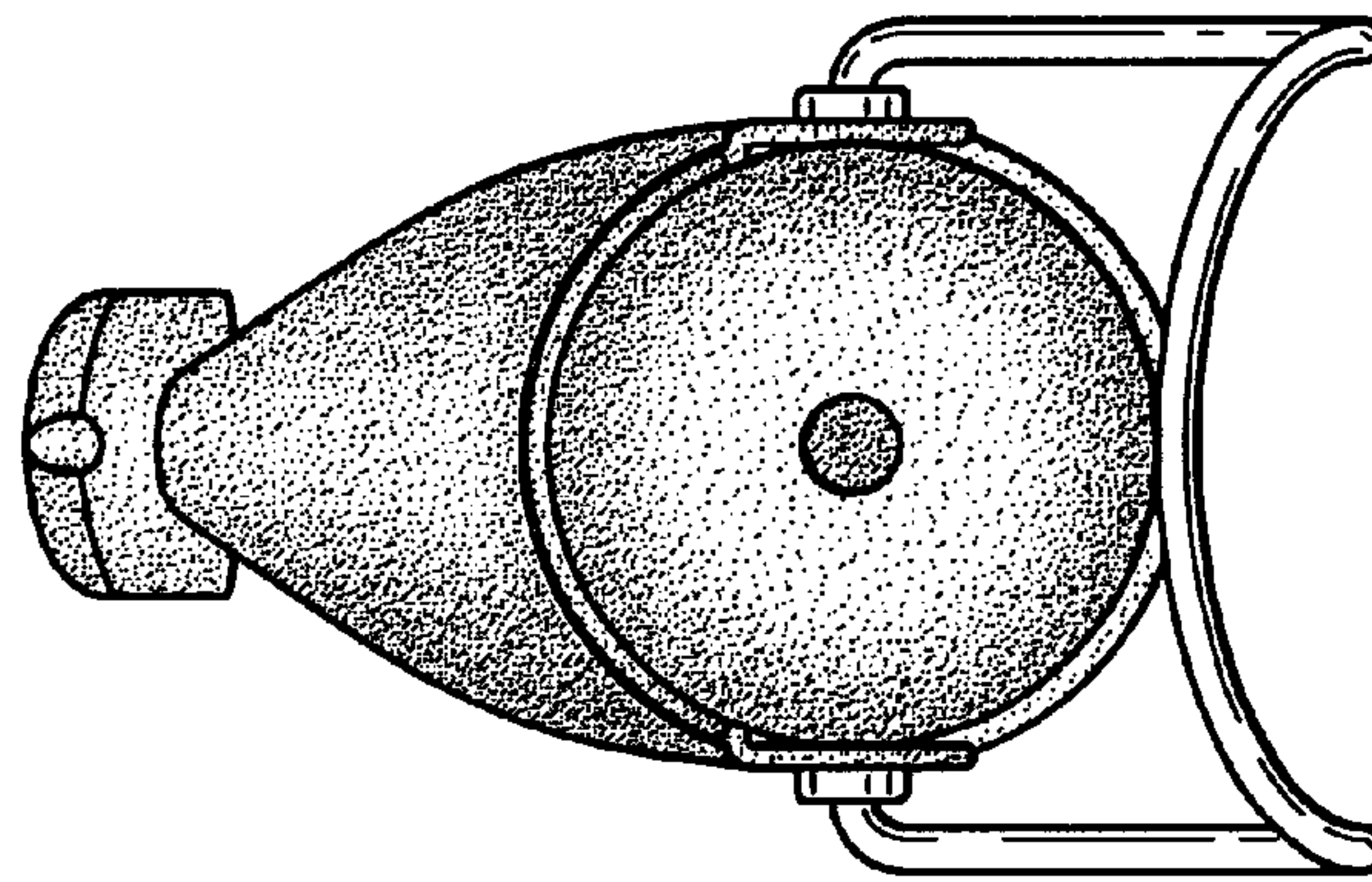


FIG. 7