



US00D469575S

(12) **United States Design Patent**  
**Grace**

(10) **Patent No.:** **US D469,575 S**

(45) **Date of Patent:** **\*\* Jan. 28, 2003**

(54) **DISPENSING COMB**

(76) Inventor: **Charlotte Grace**, 4356 N. 49 St.,  
Milwaukee, WI (US) 53216

(\*\*) Term: **14 Years**

(21) Appl. No.: **29/145,116**

(22) Filed: **Jul. 16, 2001**

(51) **LOC (7) Cl.** ..... **28-03**

(52) **U.S. Cl.** ..... **D28/25**

(58) **Field of Search** ..... D28/21, 25, 31;  
132/114, 112, 113, 115, 116; D30/159

(56) **References Cited**

**U.S. PATENT DOCUMENTS**

924,048	A	*	6/1909	Ensor	.....	132/112
940,196	A	*	11/1909	Sartell	.....	132/112
2,123,558	A	*	7/1938	Altheide	.....	132/114
2,170,550	A	*	8/1939	Corel	.....	132/114
2,430,303	A	*	11/1947	Ruhl	.....	132/114
2,771,890	A	*	11/1956	Jaberg	.....	132/115
3,101,086	A		8/1963	Di Vito		
3,477,447	A		11/1969	Eldredge		
3,754,557	A		8/1973	Moore		
3,964,501	A		6/1976	Matchett		
4,057,901	A	*	11/1977	Bloem	.....	132/112
4,294,270	A		10/1981	Cochran		
4,310,009	A		1/1982	Shipp		

5,054,504	A		10/1991	Winrow		
5,311,887	A		5/1994	Ramsey		
5,339,839	A		8/1994	Forcelledo et al.		
5,483,979	A		1/1996	Bertieri		
D369,883	S	*	5/1996	Romano et al.	.....	D28/25
5,975,089	A		11/1999	Simon		
6,062,230	A		5/2000	Kajgana		
6,065,891	A		5/2000	Rehman et al.		

\* cited by examiner

*Primary Examiner*—Lucy Lieberman

(74) *Attorney, Agent, or Firm*—Ryan Kromholz & Manion,  
S.C.

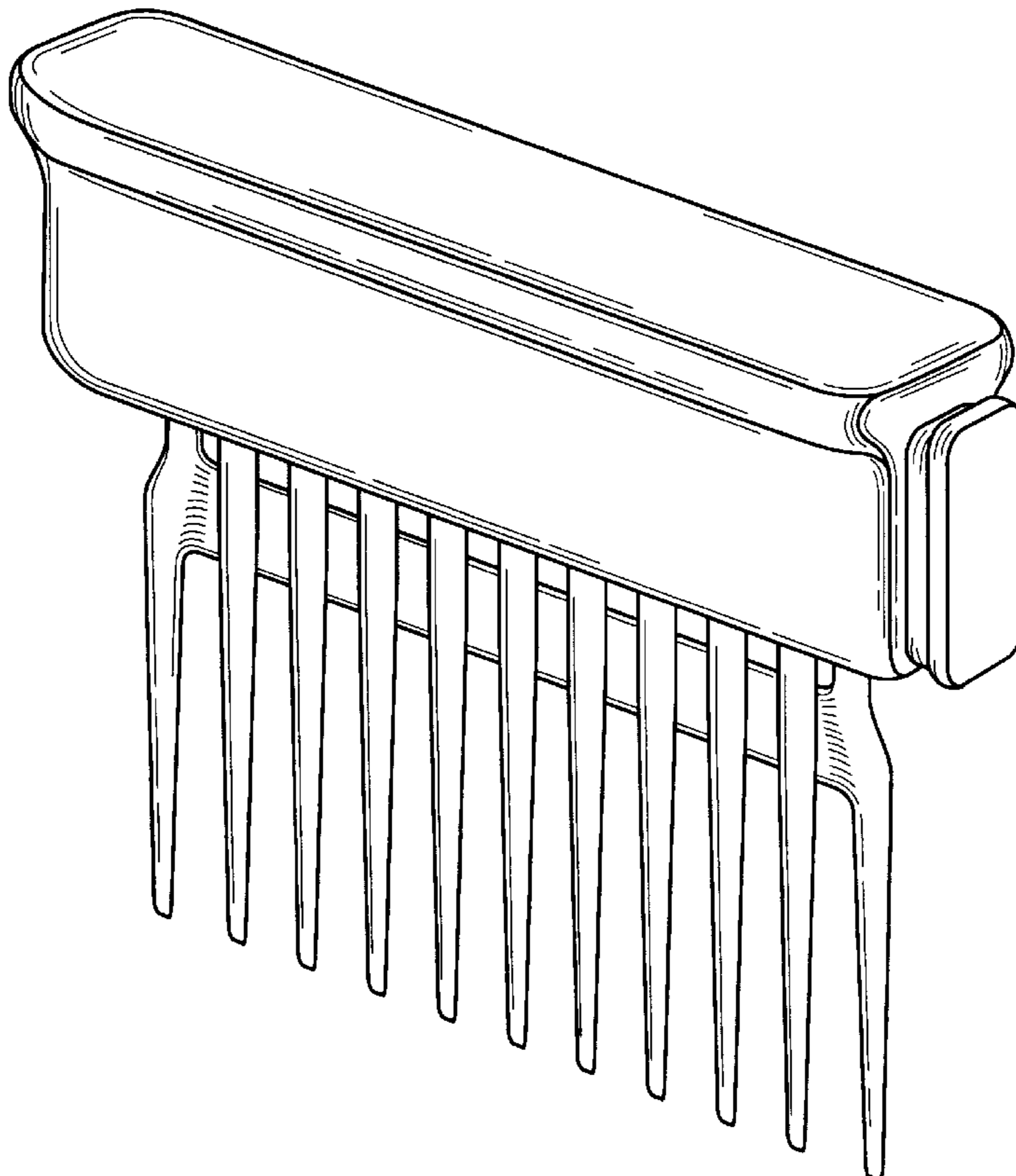
(57) **CLAIM**

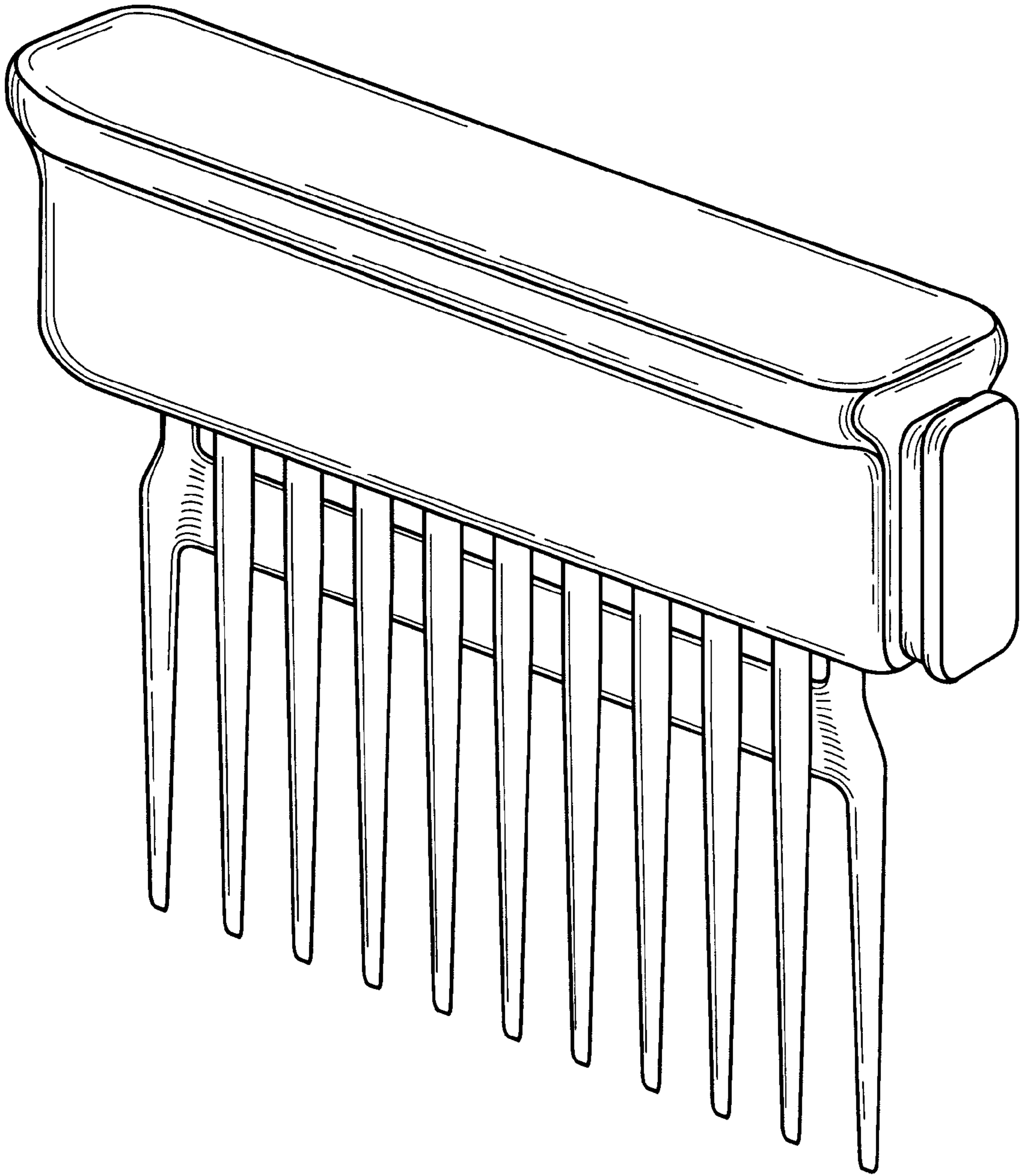
The ornamental design for a dispensing comb, as shown and described.

**DESCRIPTION**

FIG. 1 is a perspective view of the dispensing comb of my design;  
FIG. 2 is a front elevational view of my dispensing comb;  
FIG. 3 is a rear elevational view of my dispensing comb;  
FIG. 4 is a right side elevational view of my dispensing comb;  
FIG. 5 is a left side elevational view of my dispensing comb;  
FIG. 6 is a top plan view of my dispensing comb; and,  
FIG. 7 is a bottom plan view of my dispensing comb.

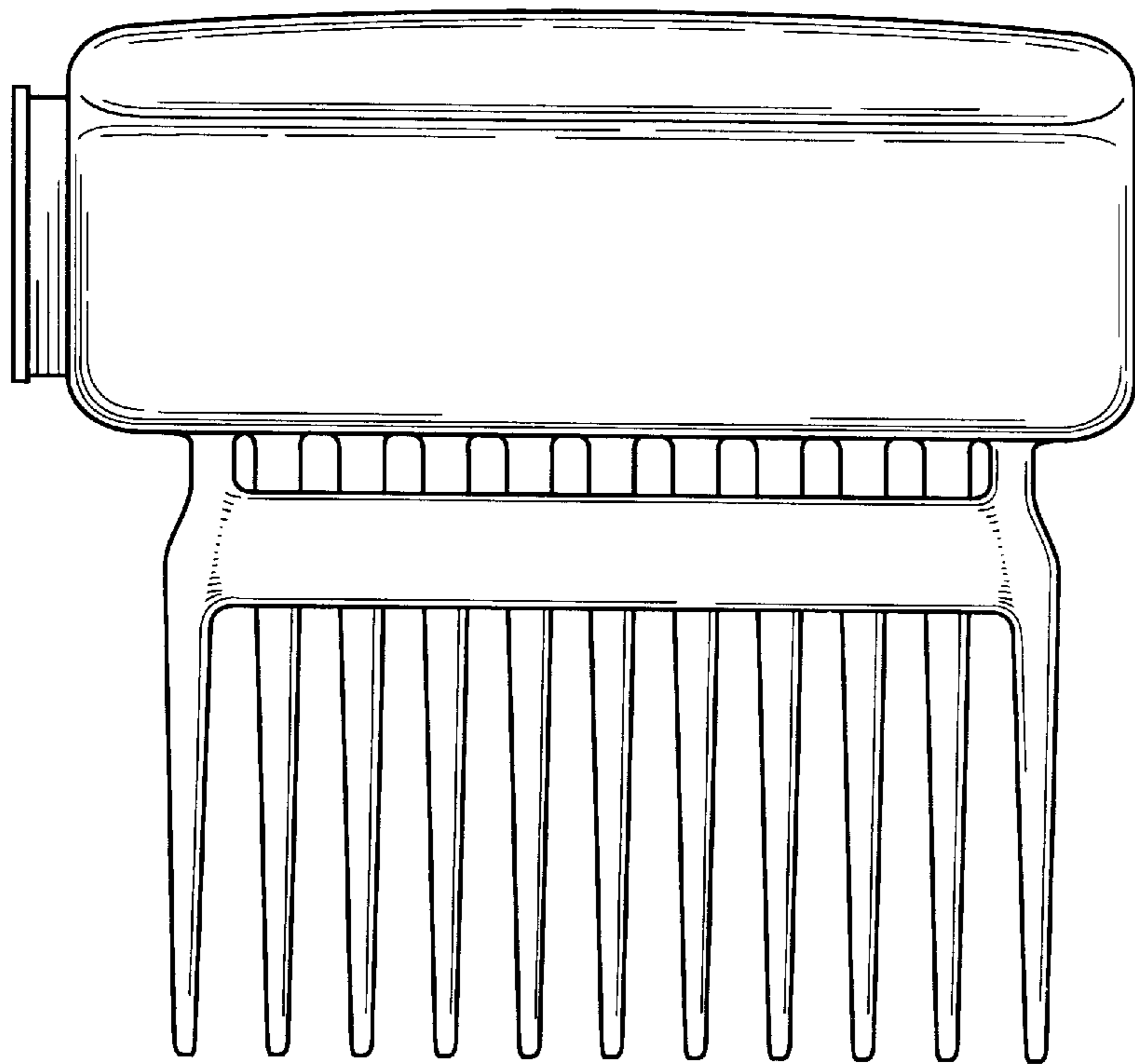
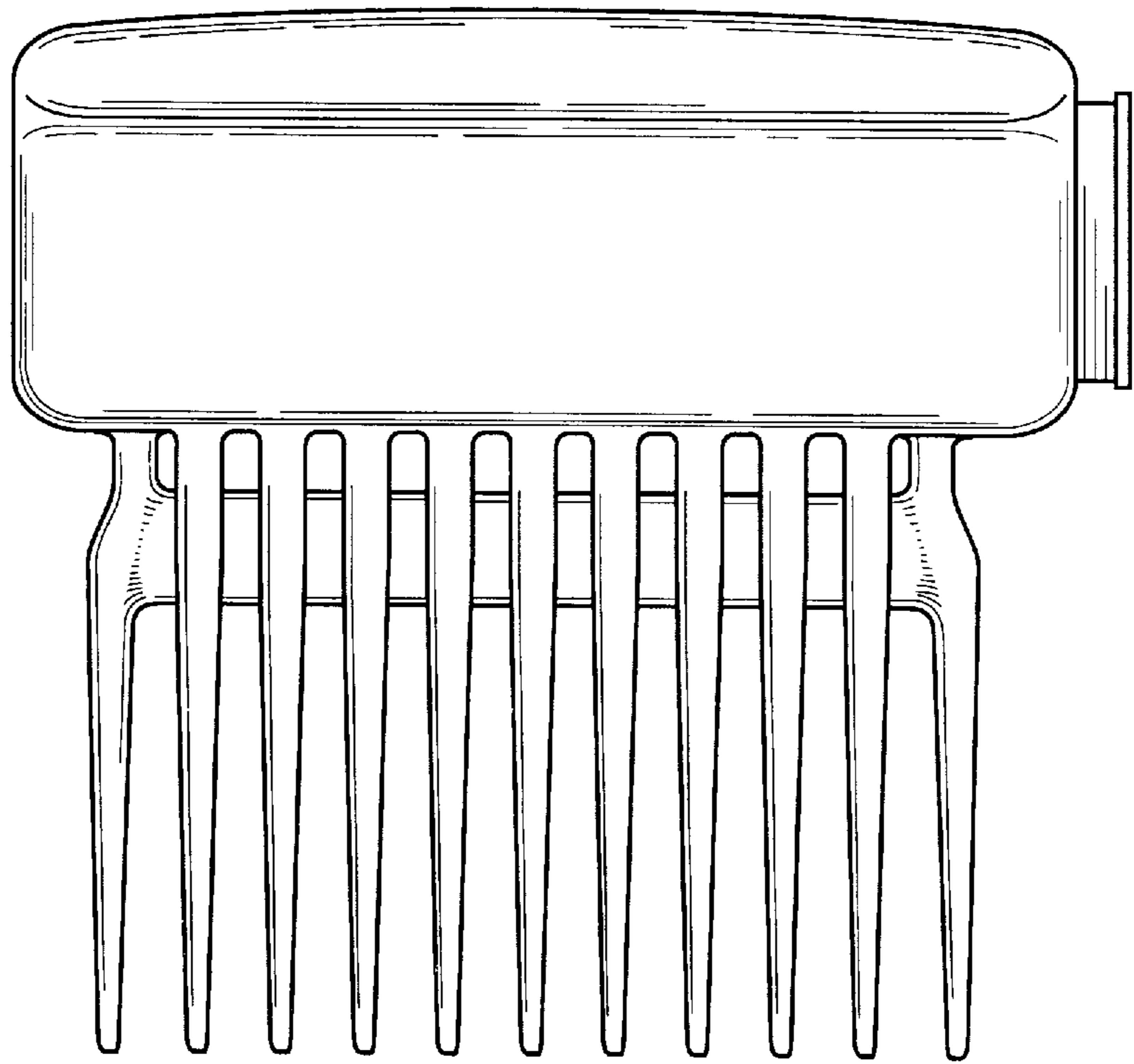
**1 Claim, 4 Drawing Sheets**



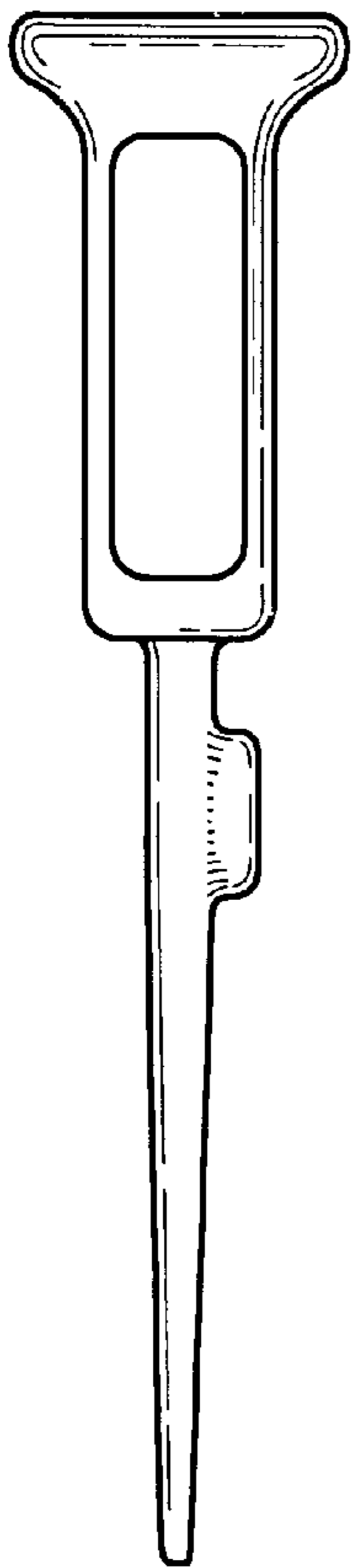


*Fig. 1*

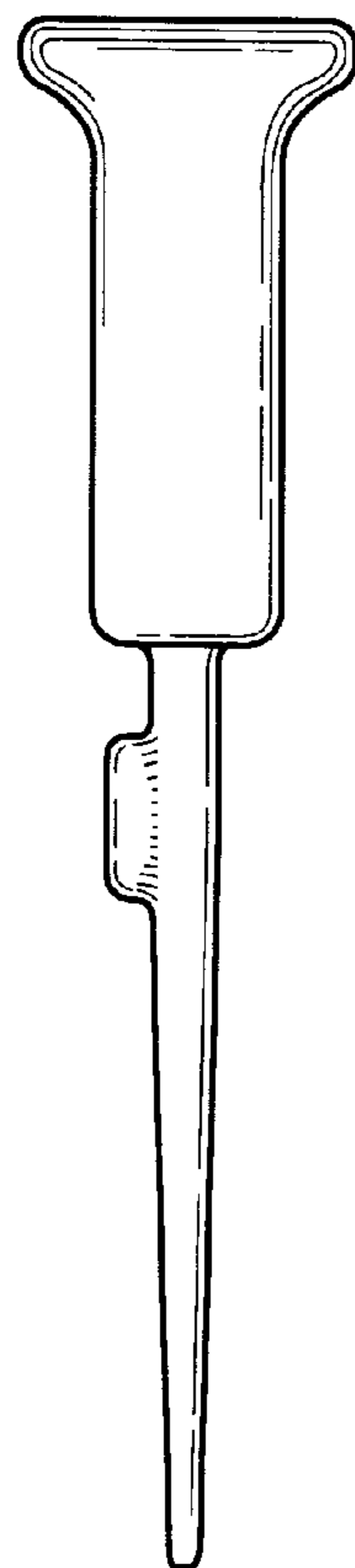
*Fig. 2*



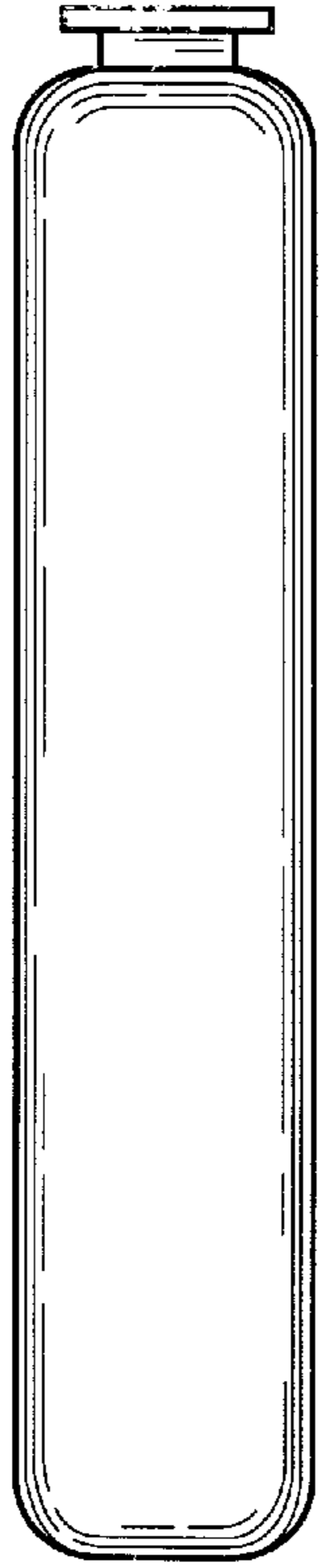
*Fig. 3*



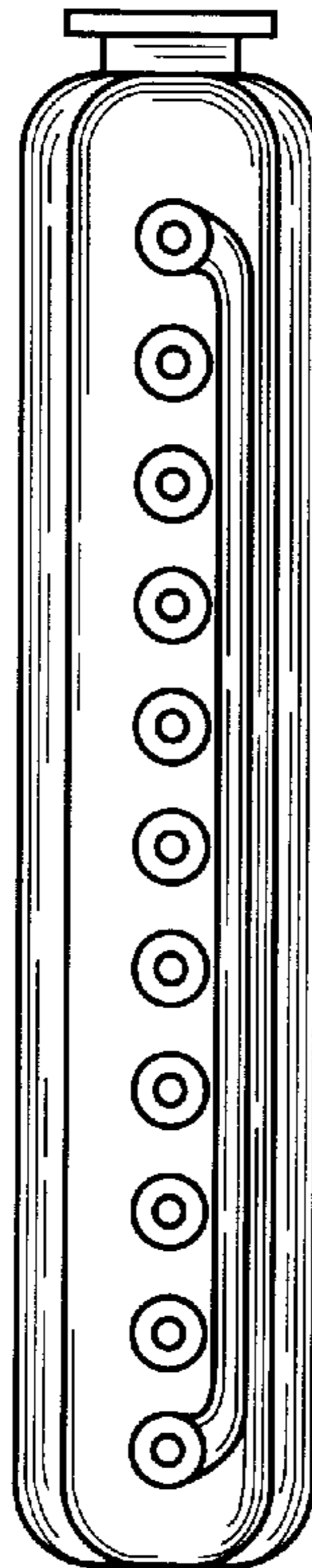
*Fig. 4*



*Fig. 5*



*Fig. 6*



*Fig. 7*