



US00D469570S

(12) **United States Design Patent**
Cohen Harel

(10) **Patent No.:** **US D469,570 S**

(45) **Date of Patent:** **** Jan. 28, 2003**

(54) **LIGHTER**

(76) **Inventor:** **Yigal Cohen Harel**, Ploennies Street
11, 40885 Ratingen (DE)

(**) **Term:** **14 Years**

(21) **Appl. No.:** **29/160,456**

(22) **Filed:** **May 10, 2002**

(51) **LOC (7) Cl.** **27-05**

(52) **U.S. Cl.** **D27/159**

(58) **Field of Search** D27/141-143,
D27/157-159; 431/254-256, 267, 273,
274, 277, 143

(56) **References Cited**

U.S. PATENT DOCUMENTS

D261,062 S * 9/1981 Ichikawa D27/159

OTHER PUBLICATIONS

US D391,041, 2/1998, Compte (withdrawn)*

* cited by examiner

Primary Examiner—Jennifer Rivard

(74) *Attorney, Agent, or Firm*—Cowan, Liebowitz &
Latman, P.C.; R. Lewis Gable

(57) **CLAIM**

The ornamental design for the lighter, as shown and
described.

DESCRIPTION

FIG. 1 is a top, front and left side perspective view of the
lighter;

FIG. 2 is a top plan view of the embodiment of FIG. 1;

FIG. 3 is a bottom plan view of the embodiment of FIG. 1;

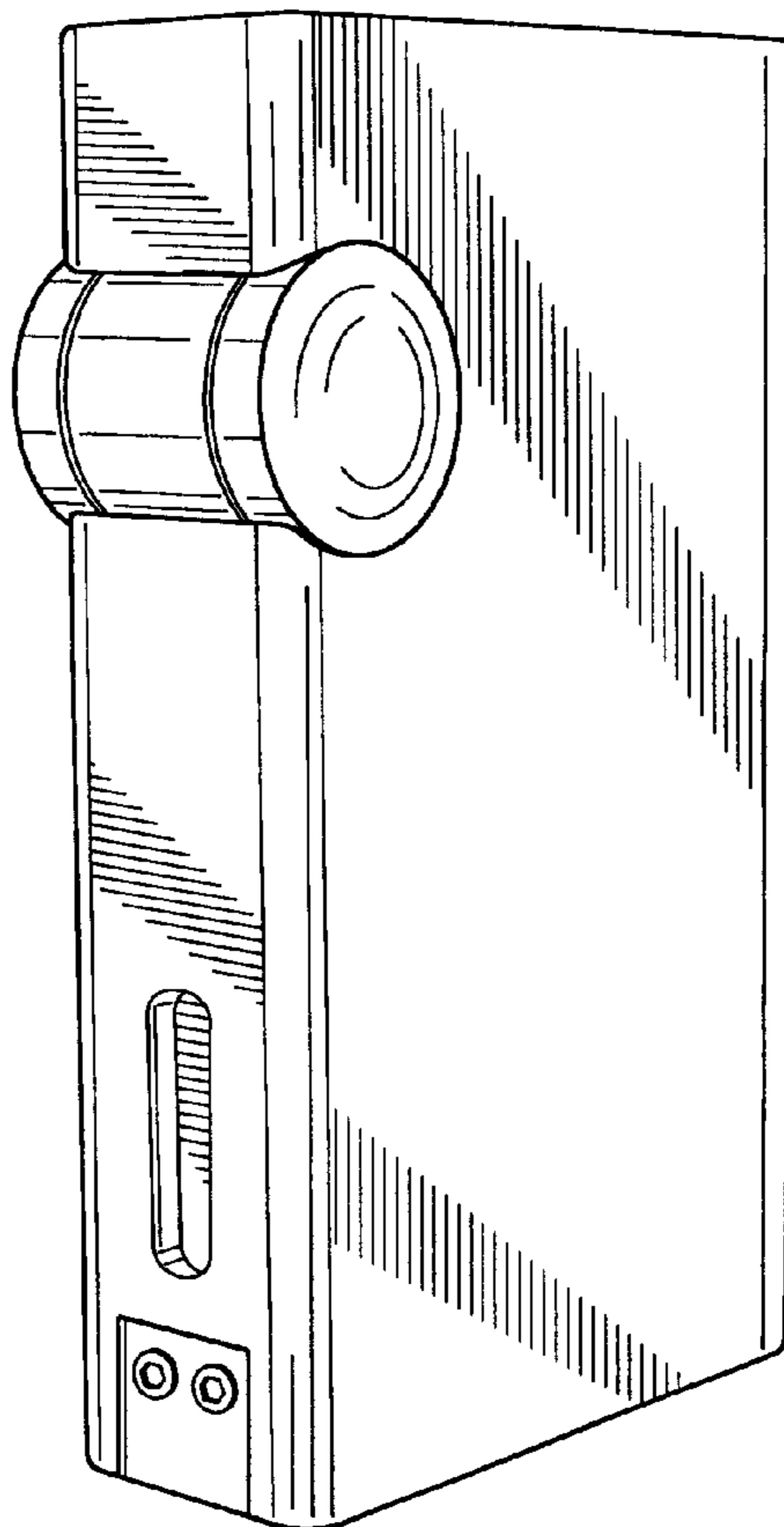
FIG. 4 is a front elevation of the embodiment of FIG. 1;

FIG. 5 is a left side view of the embodiment of FIG. 1;

FIG. 6 is a back elevation view of the embodiment of FIG.
1; and,

FIG. 7 is a right side view of the embodiment of FIG. 1.

1 Claim, 1 Drawing Sheet



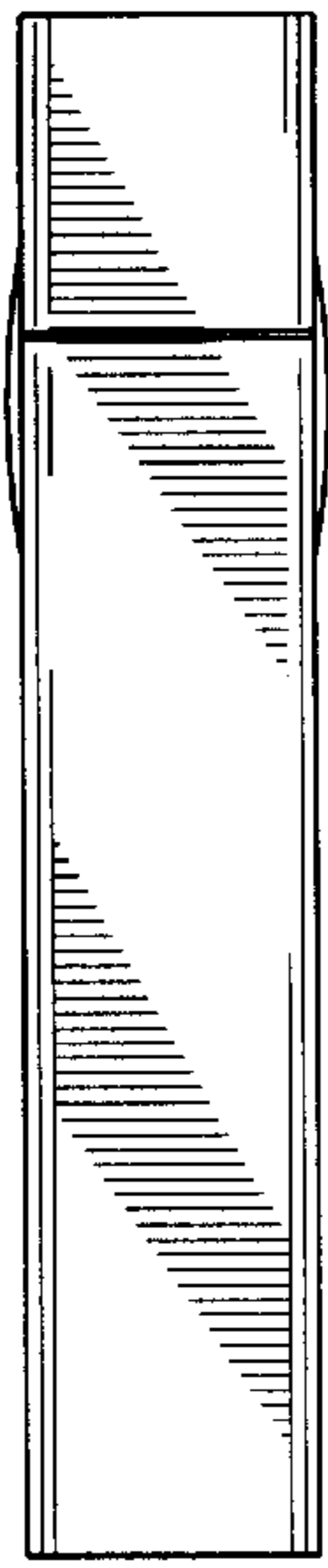


FIG. 7

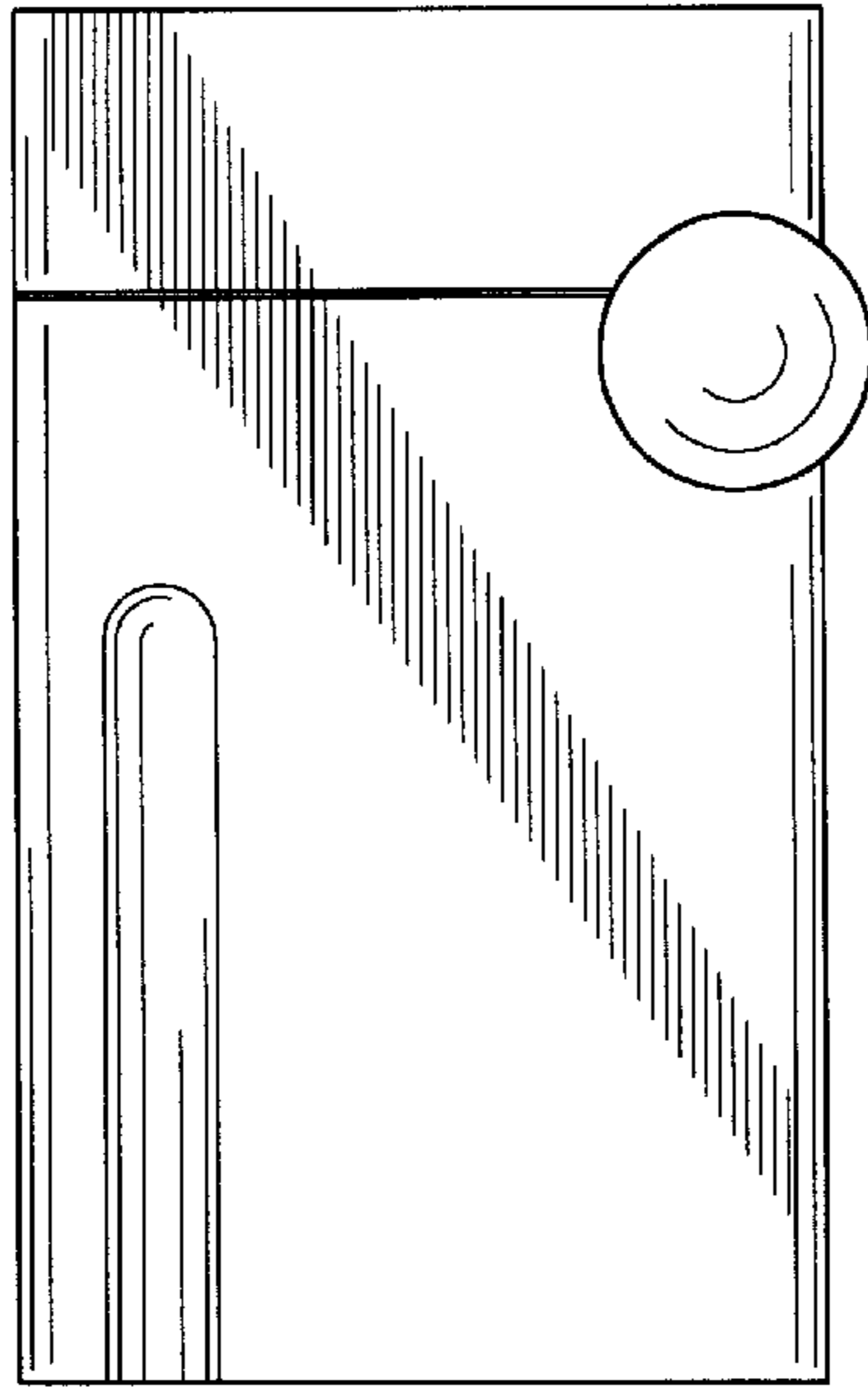


FIG. 6

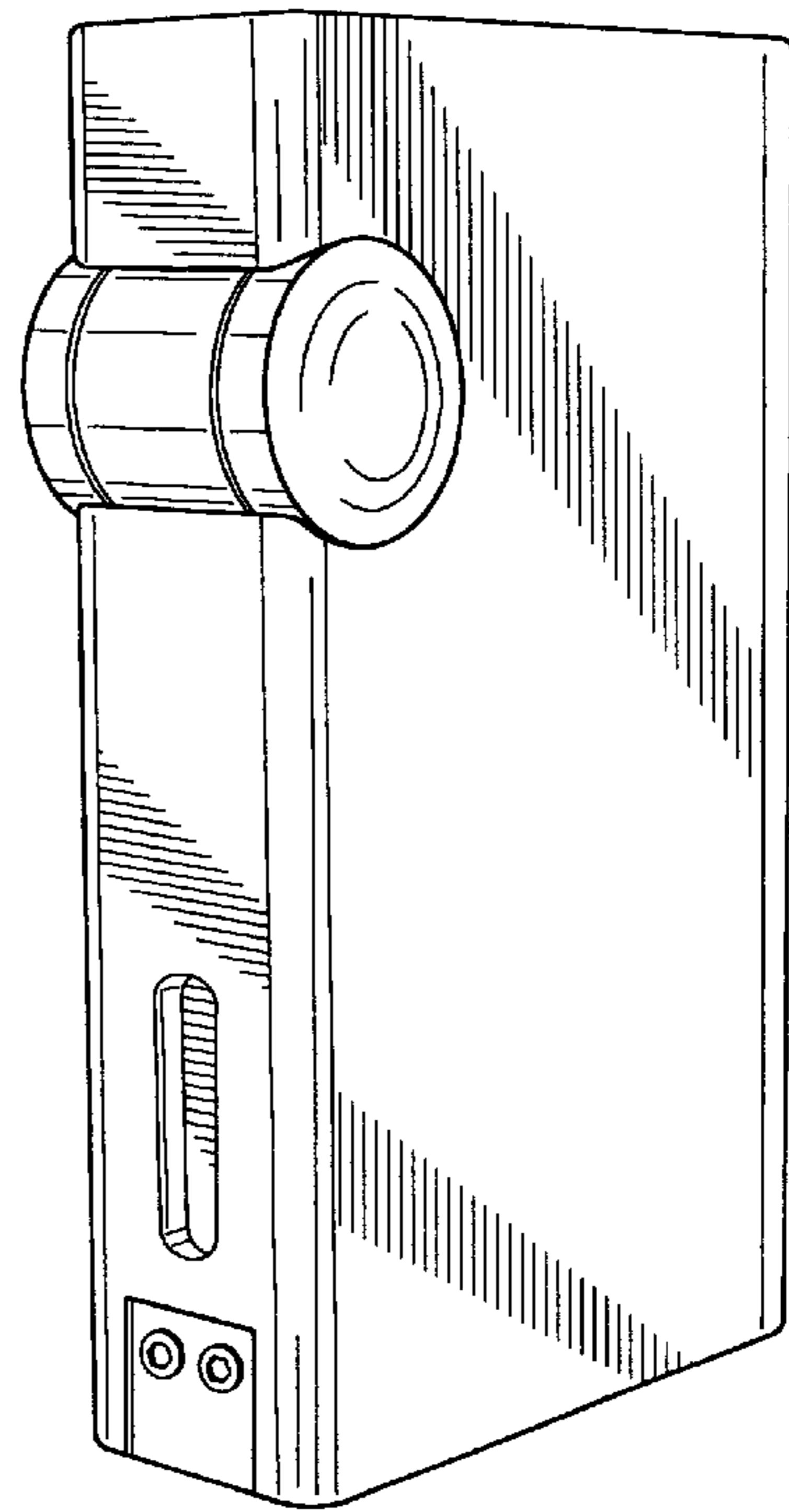


FIG. 1

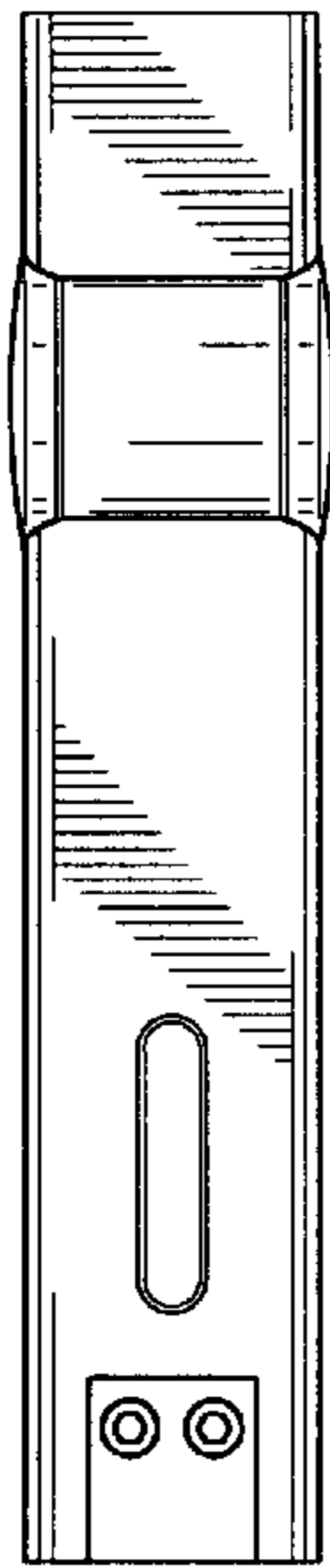


FIG. 5

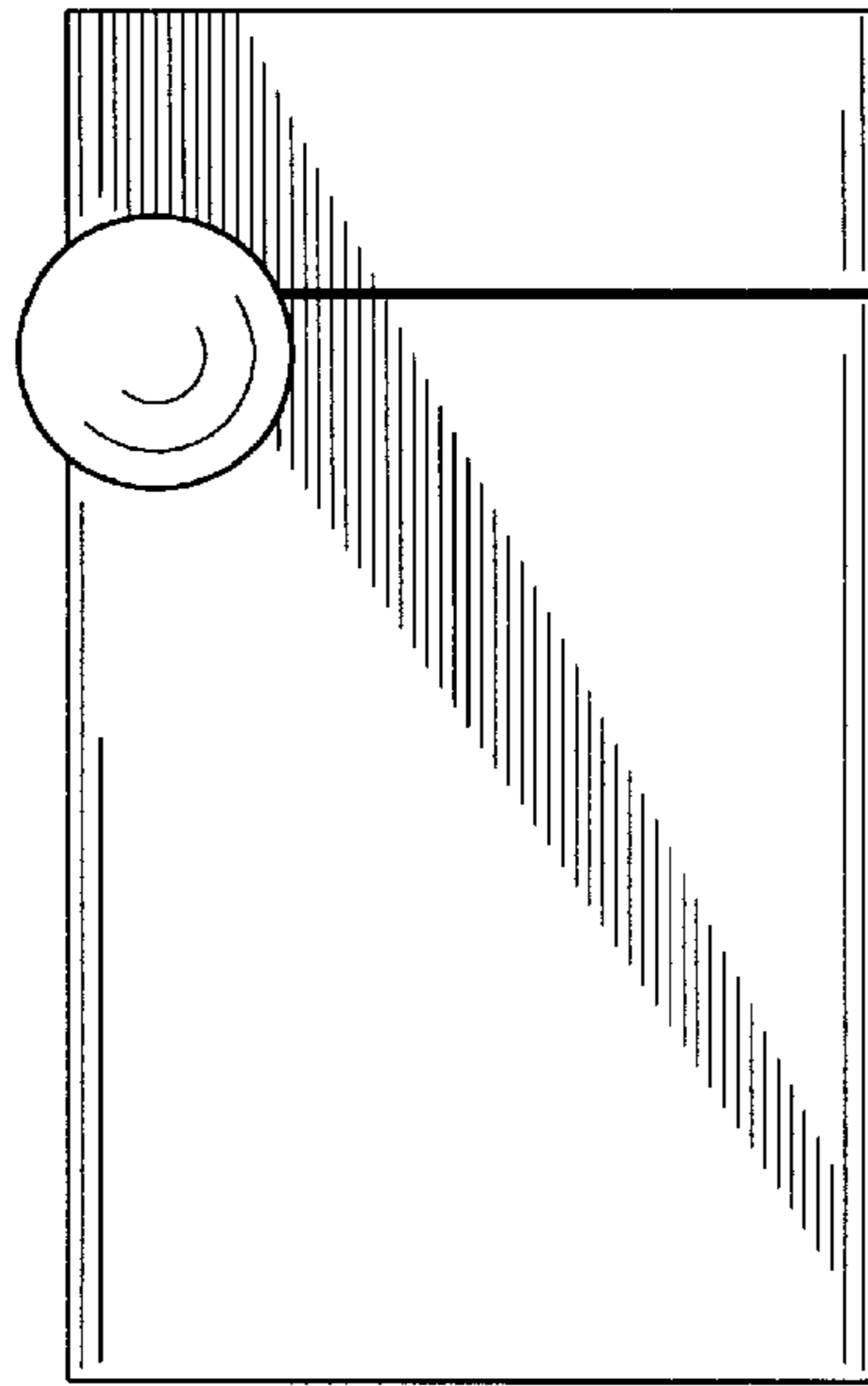


FIG. 4

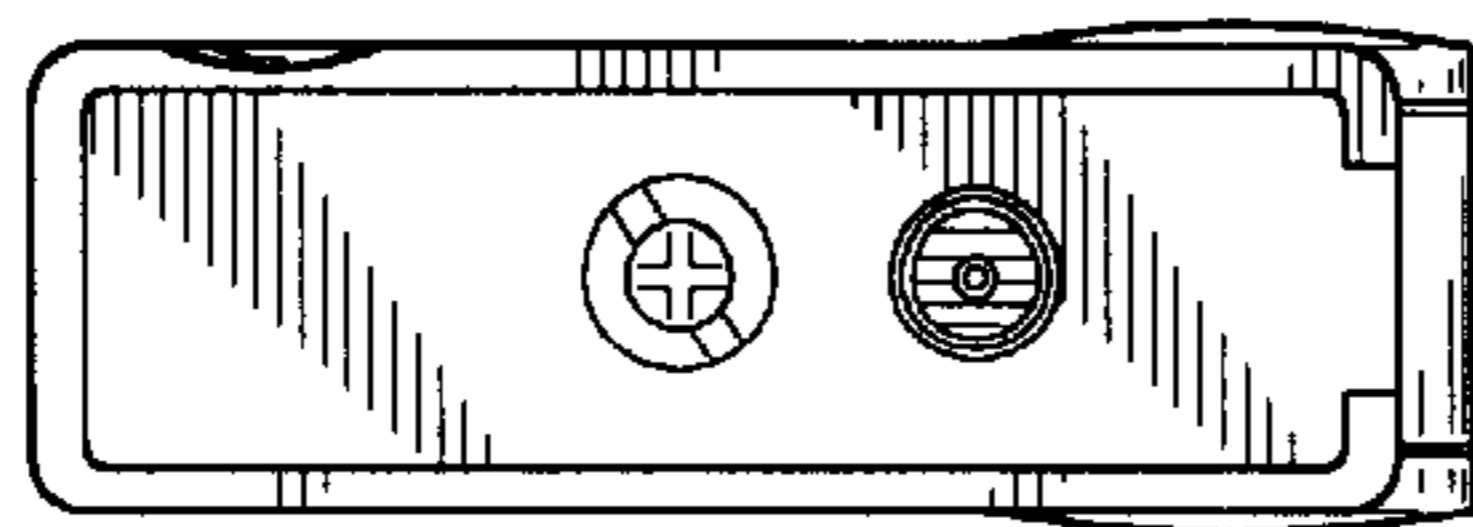


FIG. 3

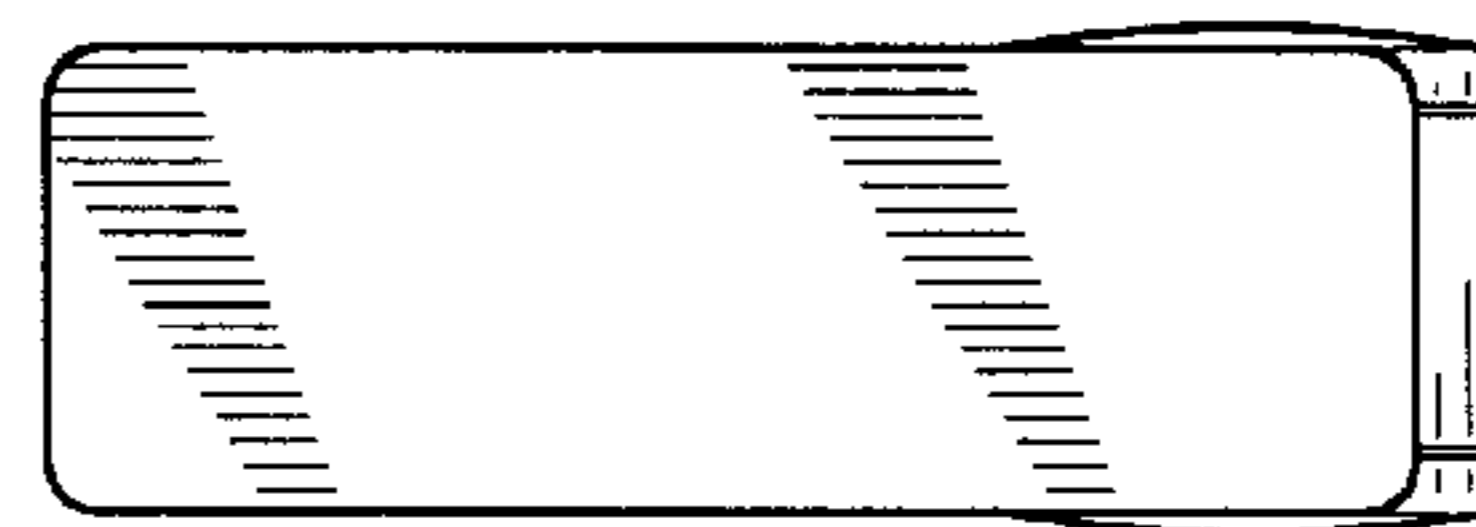


FIG. 2