



US00D469565S

(12) **United States Design Patent**
Anderson et al.

(10) **Patent No.:** **US D469,565 S**
(45) **Date of Patent:** **** Jan. 28, 2003**

(54) **STREET LIGHT CAGE**

(75) Inventors: **Eric W. Anderson**, Red Lion, PA (US);
Donald G. Fentress, Fulton, MD (US)

(73) Assignee: **Genlyte Thomas Group LLC**,
Louisville, KY (US)

(**) Term: **14 Years**

(21) Appl. No.: **29/164,142**

(22) Filed: **Jul. 18, 2002**

(51) **LOC (7) Cl.** **26-99**

(52) **U.S. Cl.** **D26/119; D20/17**

(58) **Field of Search** D26/113, 118,
D26/119, 67; 362/376, 147, 431; D20/17;
40/659, 661.02

(56) **References Cited**

U.S. PATENT DOCUMENTS

- D51,774 S * 2/1918 Coppinger D20/17
- D370,288 S * 5/1996 Tognu D26/67
- D424,736 S * 5/2000 Johnson D26/119

* cited by examiner

Primary Examiner—Jennifer Rivard

(74) *Attorney, Agent, or Firm*—Jeffrey A. Haeberlin;
Middleton Reutlinger

(57) **CLAIM**

The ornamental design for a street light cage, as shown and described.

DESCRIPTION

FIG. 1 is a perspective view of a street light cage showing our design.

FIG. 2 is a top plan view thereof.

FIG. 3 is a bottom plan view thereof.

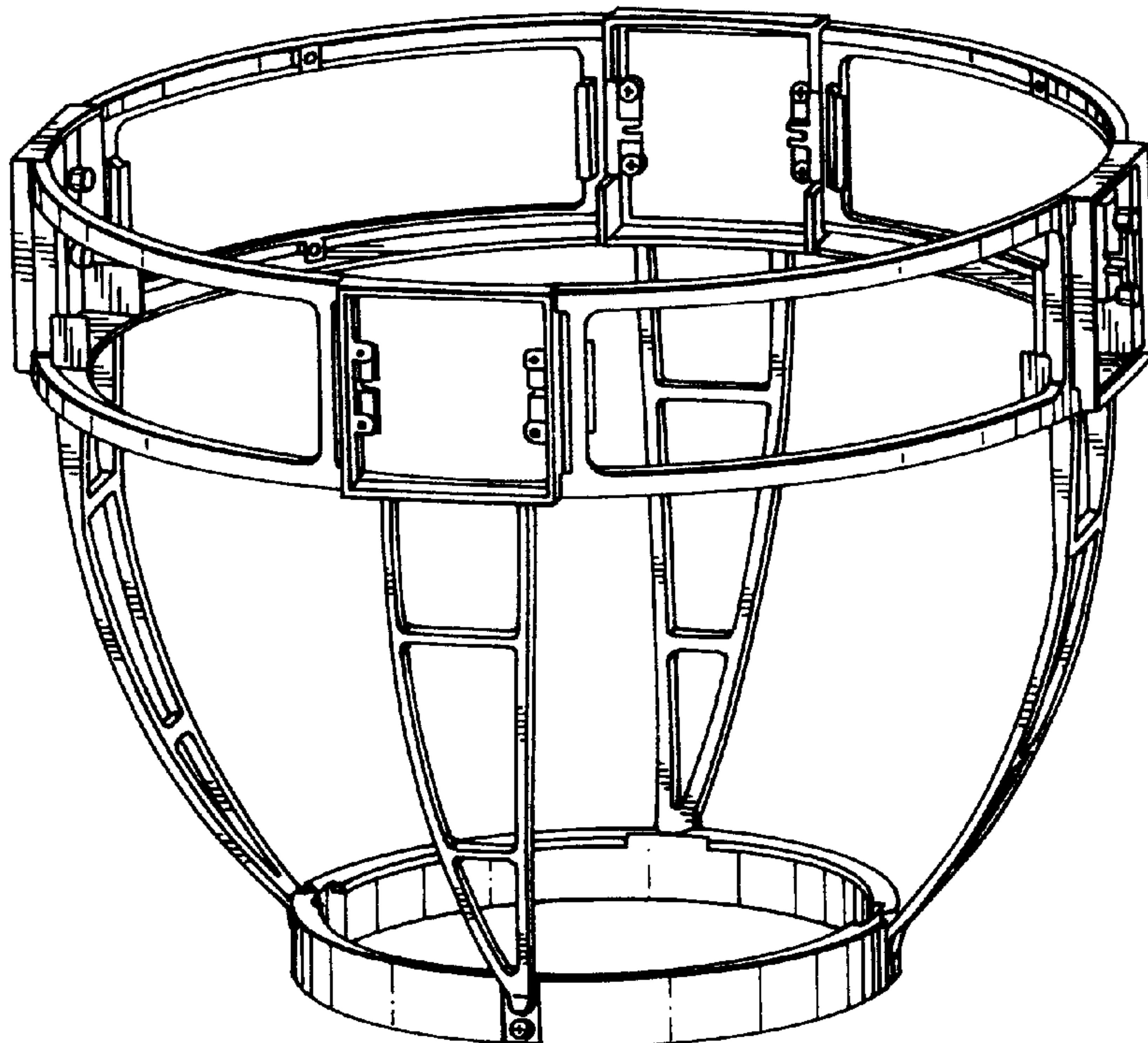
FIG. 4 is a perspective view of another embodiment of our street light cage design, wherein the street light cage of FIG. 1 further has translucent panels and translucent logo blocks as shown. The top and bottom plan views of this embodiment are identical to the top and bottom plan views of the street light cage of FIG. 1 and, therefore, have been omitted.

FIG. 5 is a front elevational view thereof. The left, right, and rear elevational views of this embodiment are identical to this view and, therefore, have been omitted; and,

FIG. 6 is a front elevational view of yet another embodiment of our street light cage design, wherein the street light cage of FIG. 1 further has translucent panels and opaque logo blocks as shown. The top and bottom plan views of this embodiment are identical to the top and bottom plan views of the street light cage of FIG. 1 and, therefore, have been omitted. Further, the left, right, and rear elevational views of this embodiment are identical to this view and, therefore, have also been omitted.

The broken line showing of the indicia on the translucent panels and logo blocks, as well as the broken line showing of the street light globe and post are for illustrative purposes only and form no part of the claimed design.

1 Claim, 6 Drawing Sheets



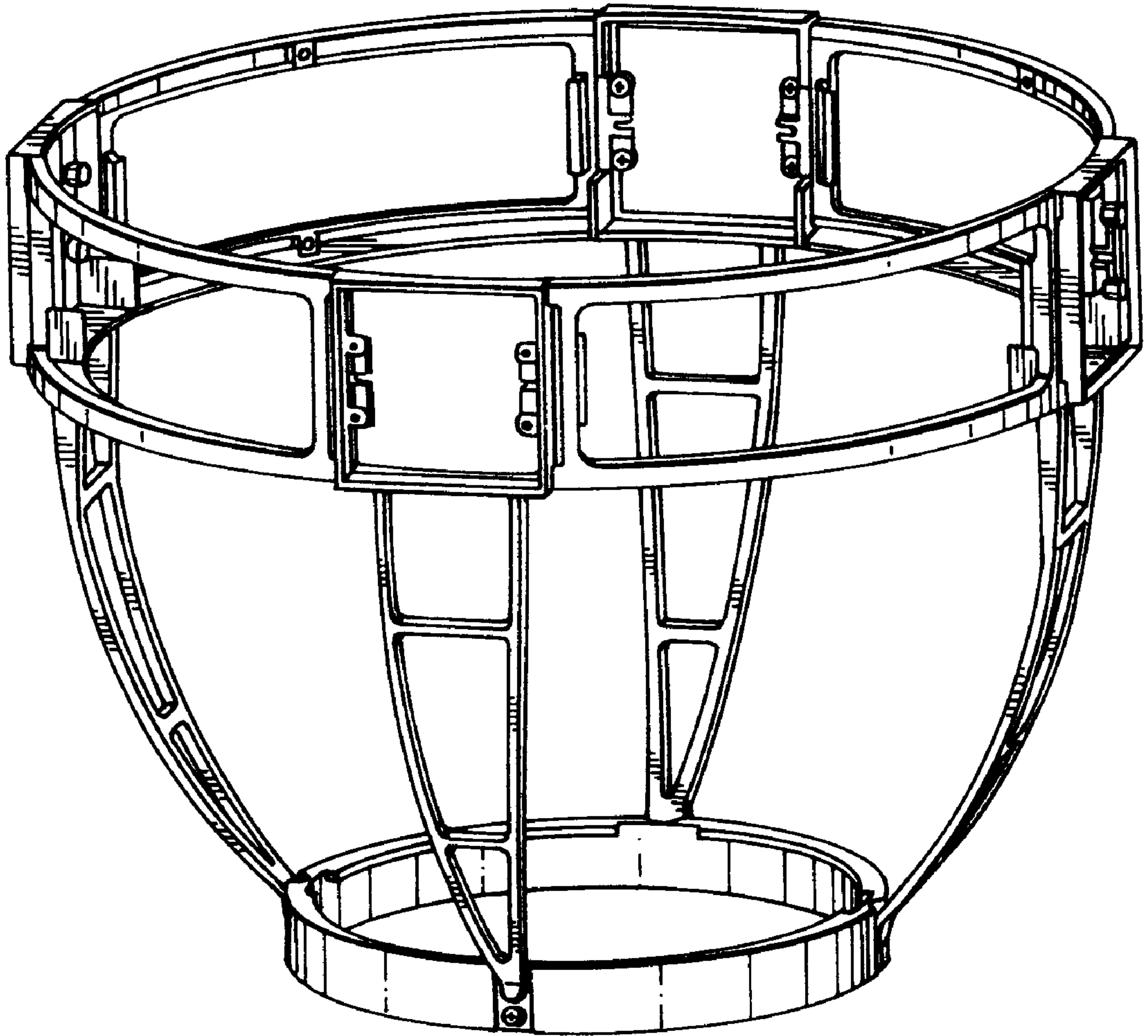


FIG. 1

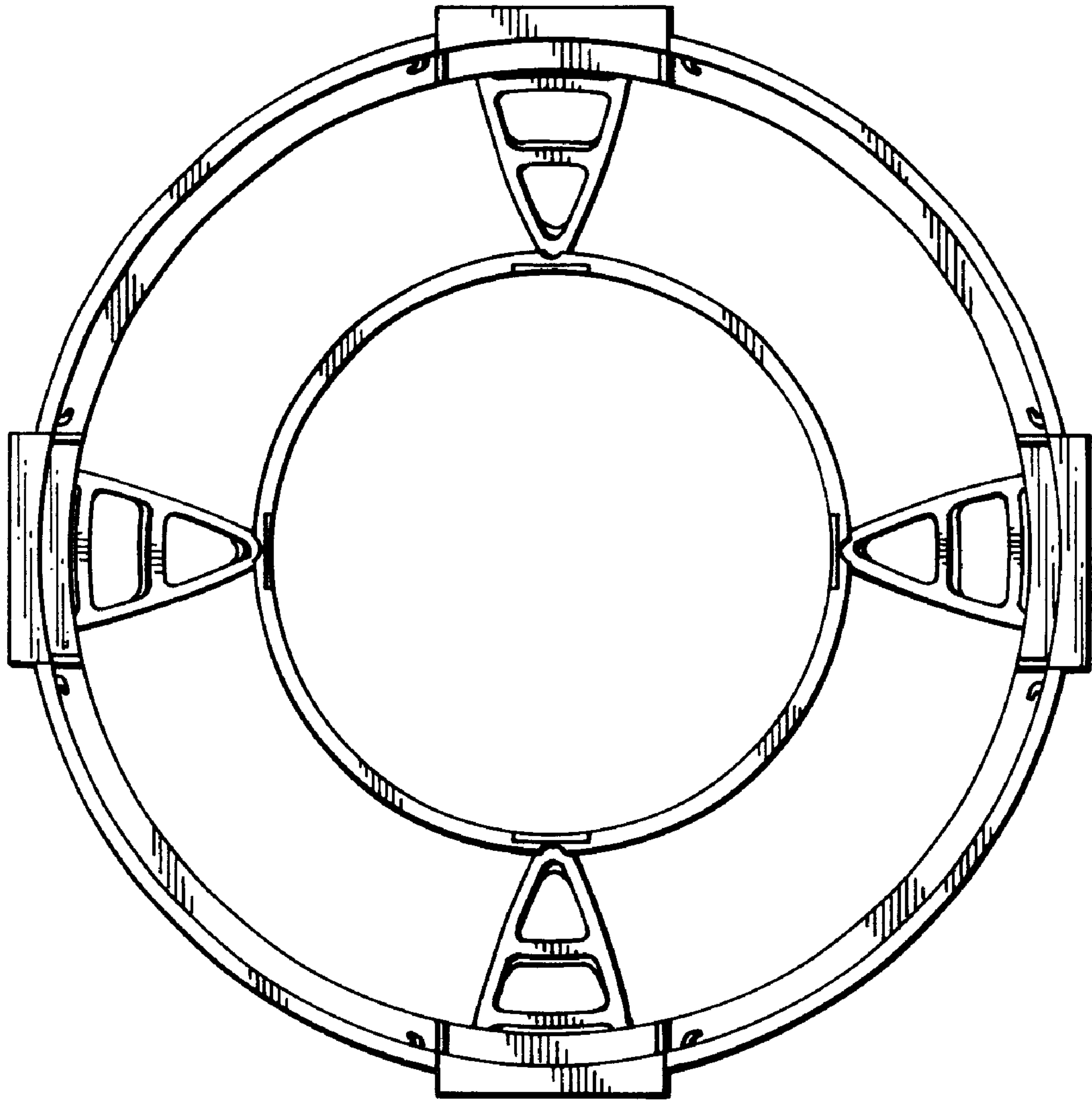


FIG. 2

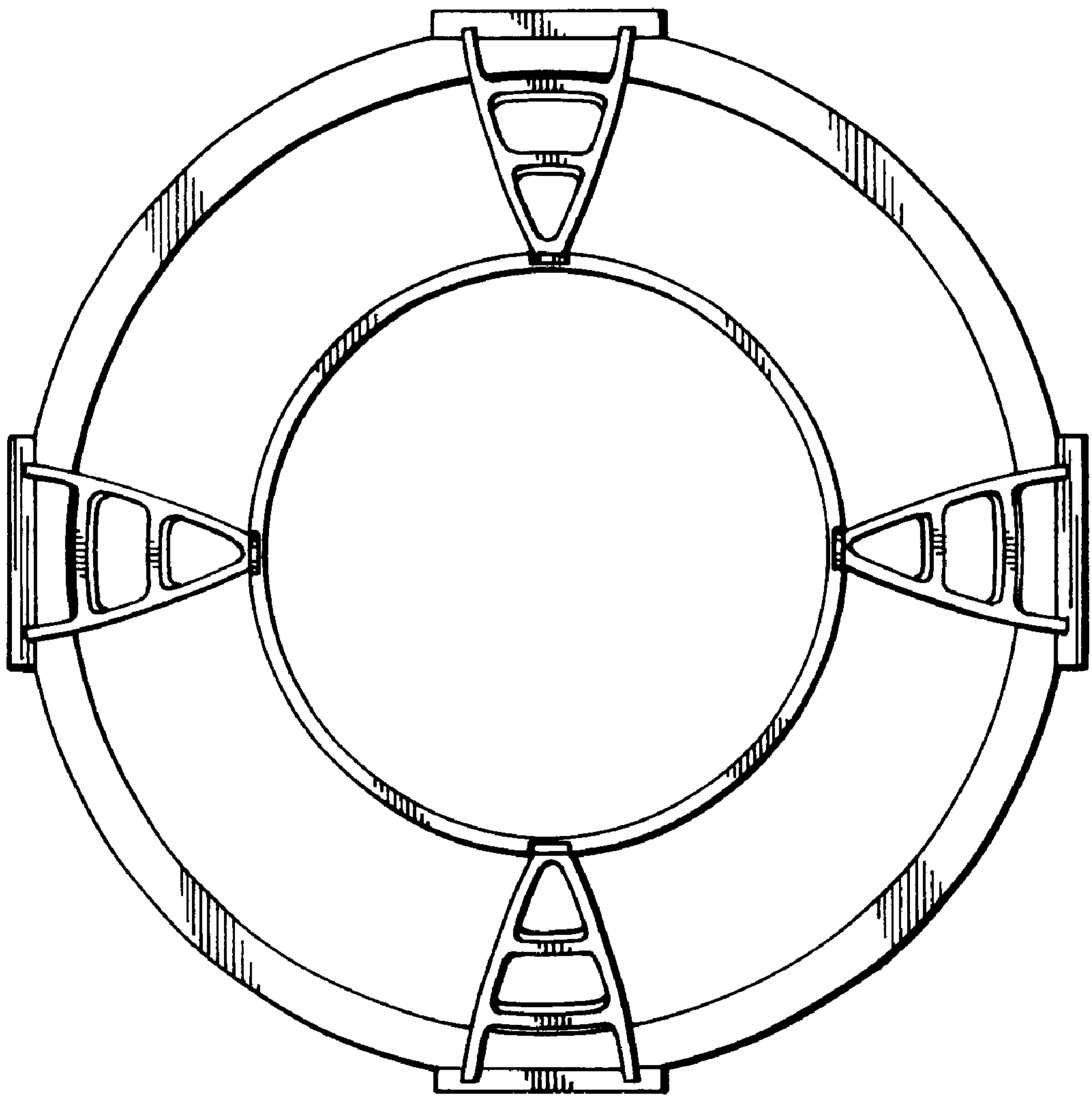


FIG. 3

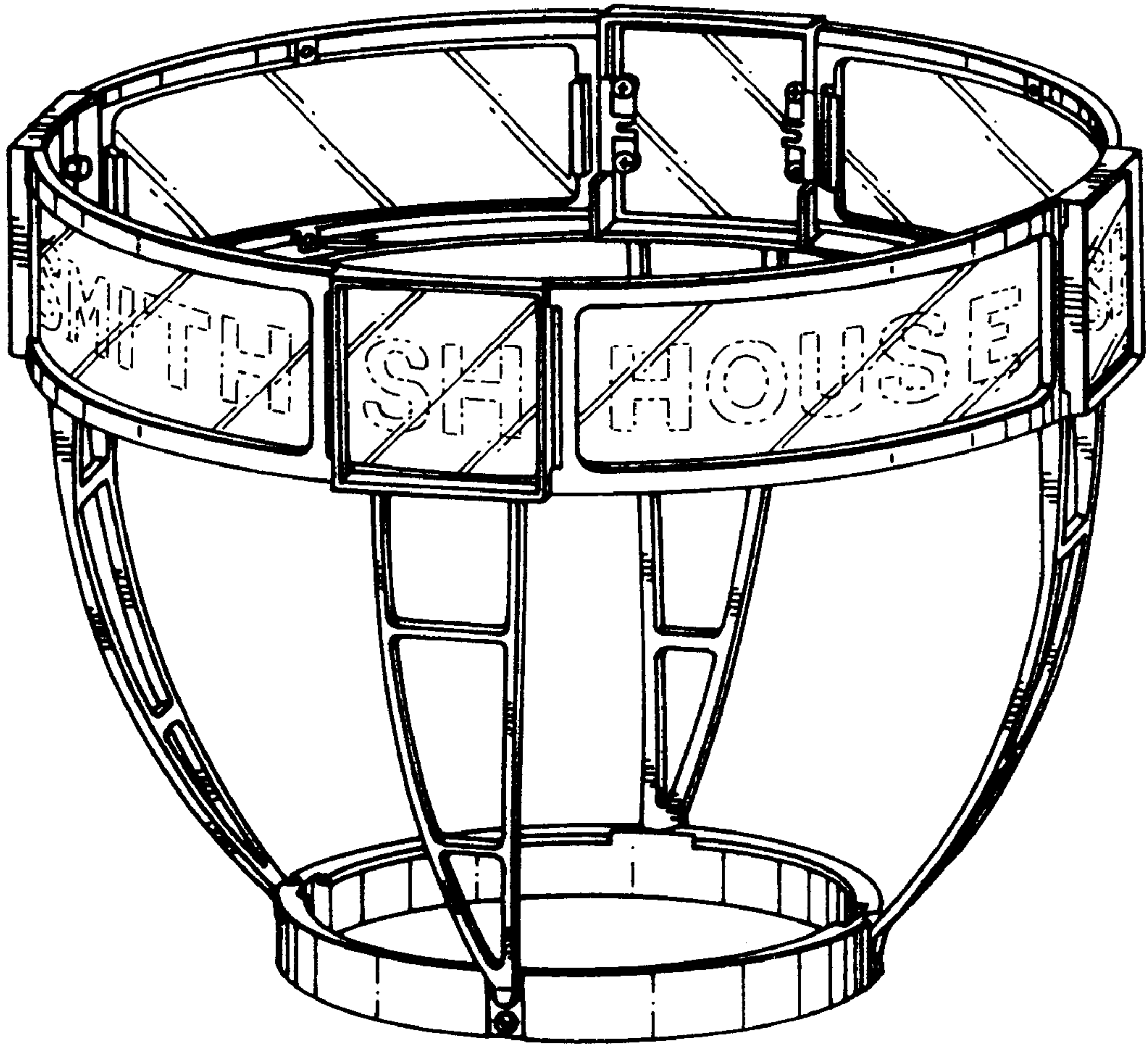


FIG. 4

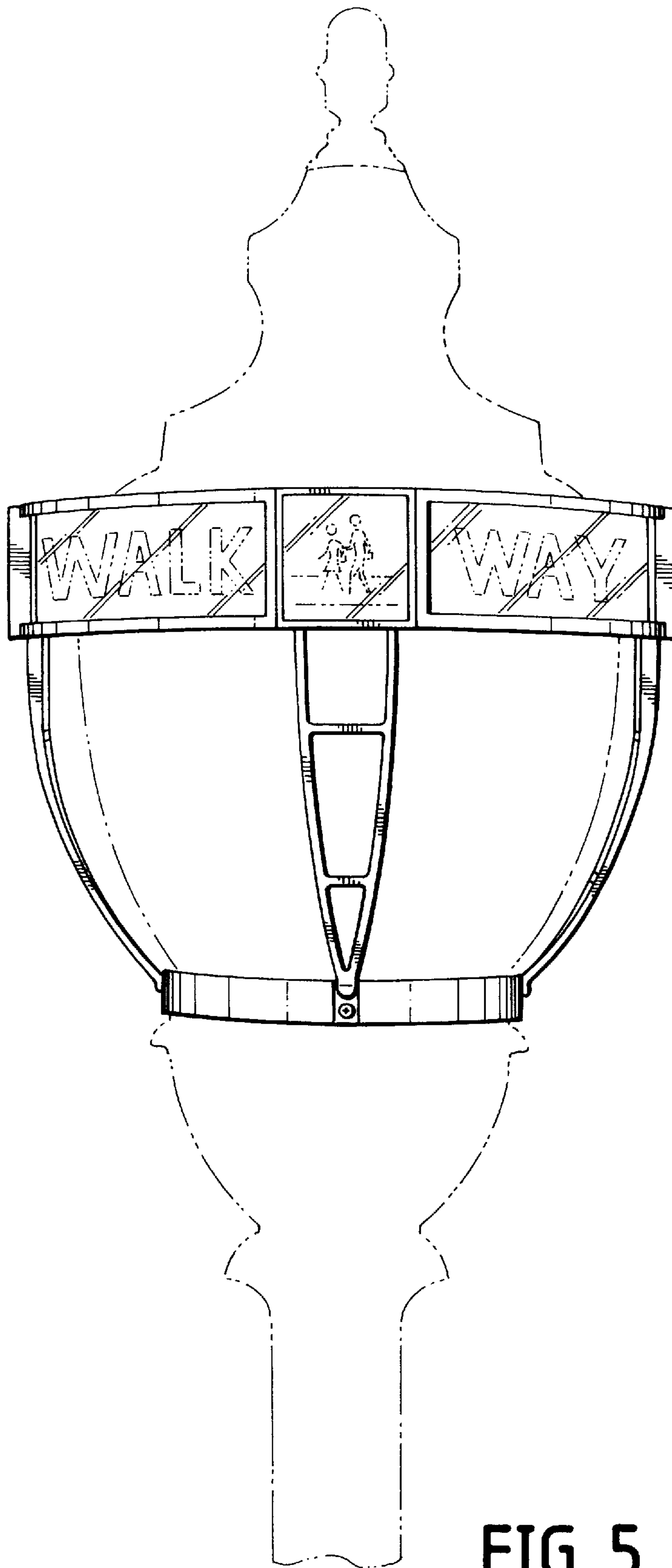


FIG. 5

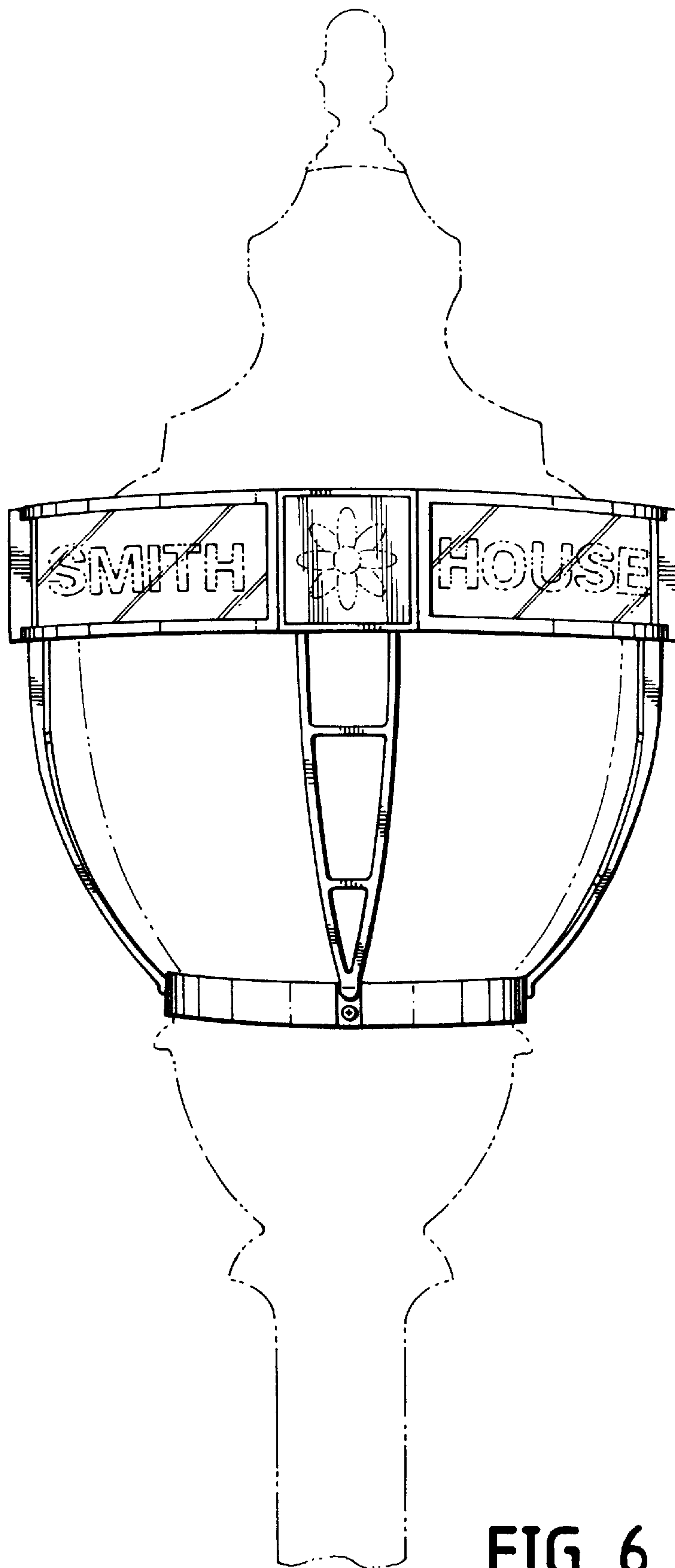


FIG. 6