



US00D469563S

(12) **United States Design Patent**
Irvine

(10) **Patent No.:** **US D469,563 S**

(45) **Date of Patent:** **** Jan. 28, 2003**

(54) **FLOOR LAMP**

D377,401 S * 1/1997 Chelsea D26/110

(75) Inventor: **James Irvine**, Milan (IT)

* cited by examiner

(73) Assignee: **Artemide S.p.A.**, Milan (IT)

Primary Examiner—Alan P. Douglas

Assistant Examiner—Linda Brooks

(**) Term: **14 Years**

(74) *Attorney, Agent, or Firm*—Pitney, Hardin, Kipp & Szuch LLP

(21) Appl. No.: **29/149,179**

(57) **CLAIM**

(22) Filed: **Oct. 4, 2001**

The ornamental design for a floor lamp, substantially as shown and described.

(30) **Foreign Application Priority Data**

Apr. 4, 2001 (IT) MI0100254

DESCRIPTION

(51) **LOC (7) Cl.** **26-03**

FIG. 1 is a front view of my new design relating to a floor lamp;

(52) **U.S. Cl.** **D26/108**

FIG. 2 is a left side view thereof, the right side view being specular;

(58) **Field of Search** D26/93-112; 362/410-414, 362/431

FIG. 3 is a rear view thereof;

FIG. 4 is a bottom plan view thereof;

FIG. 5 is a top plan view thereof; and,

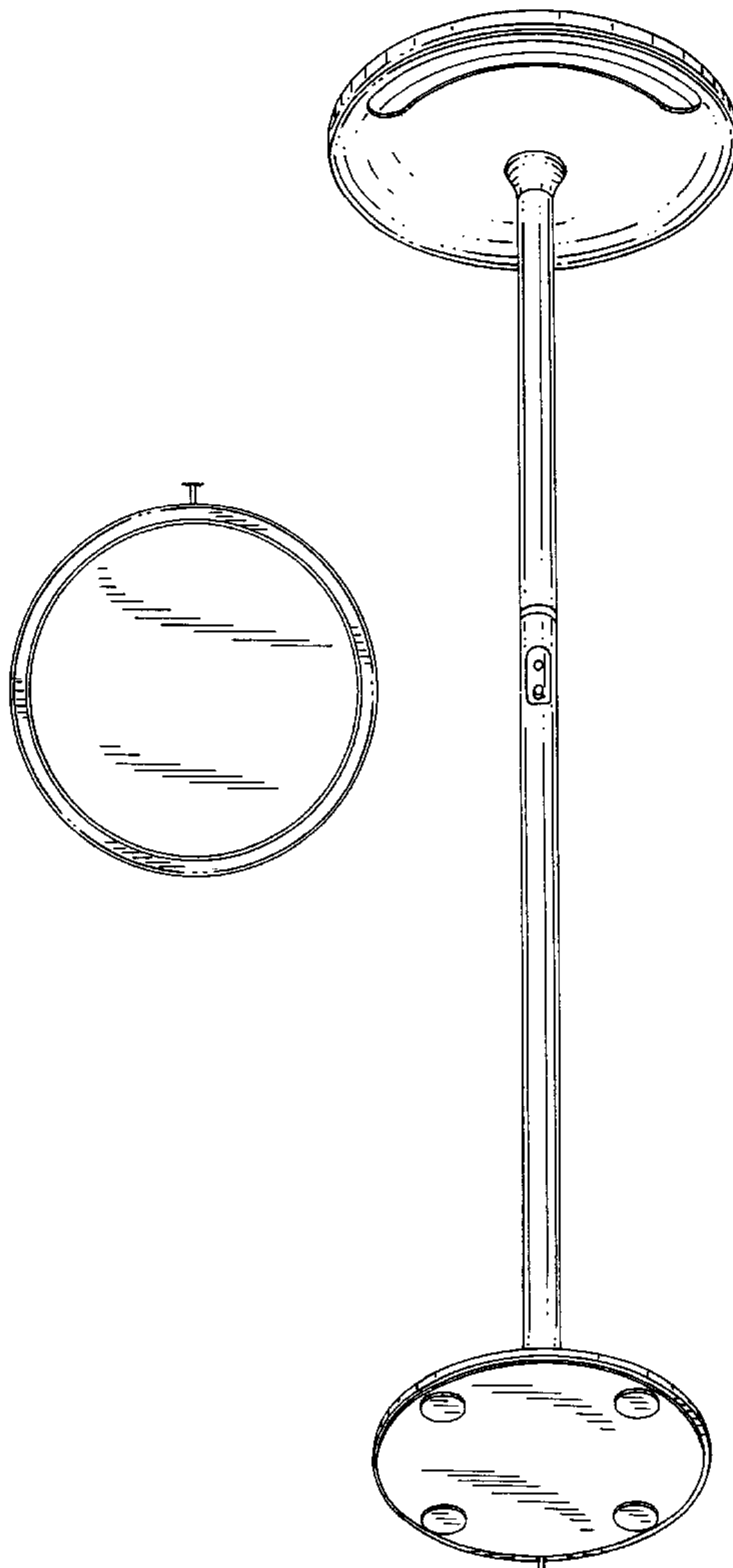
FIG. 6 is a three-quarter bottom view in perspective thereof.

(56) **References Cited**

U.S. PATENT DOCUMENTS

D368,548 S * 4/1996 Lee D26/106

1 Claim, 3 Drawing Sheets



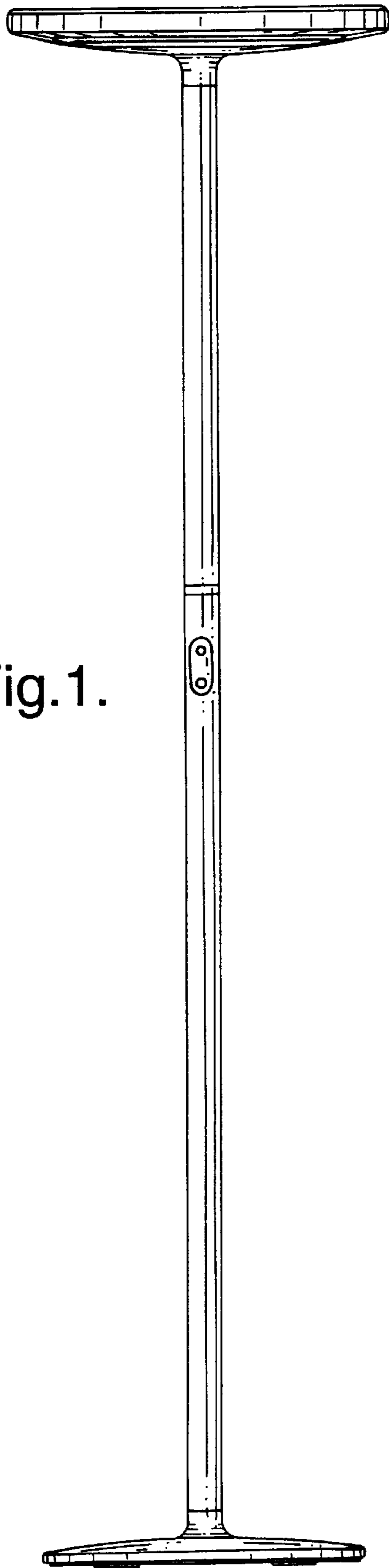


Fig.1.

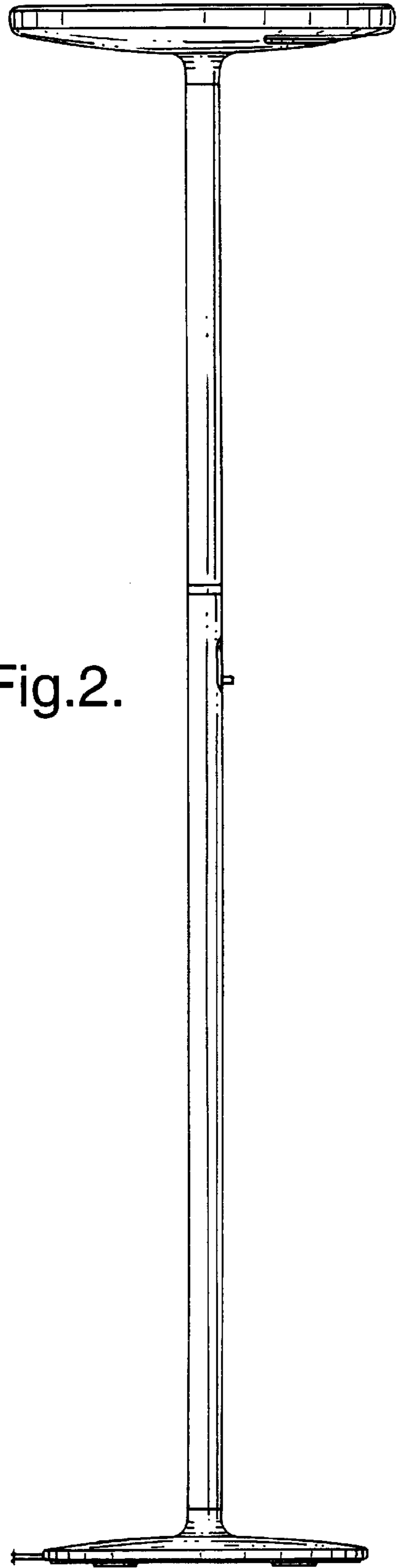


Fig.2.

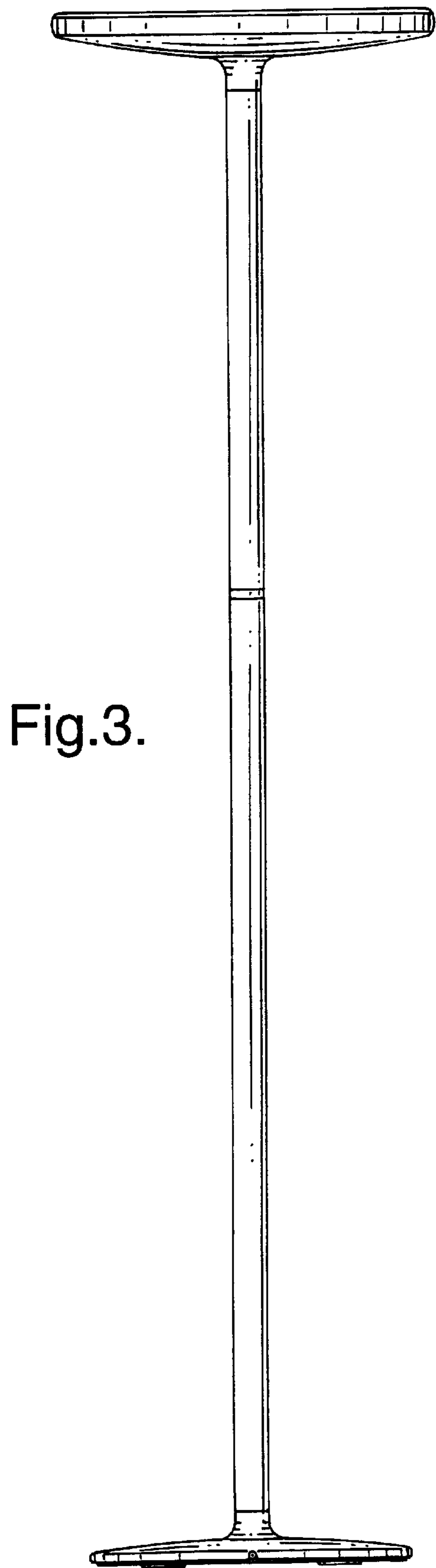


Fig.3.

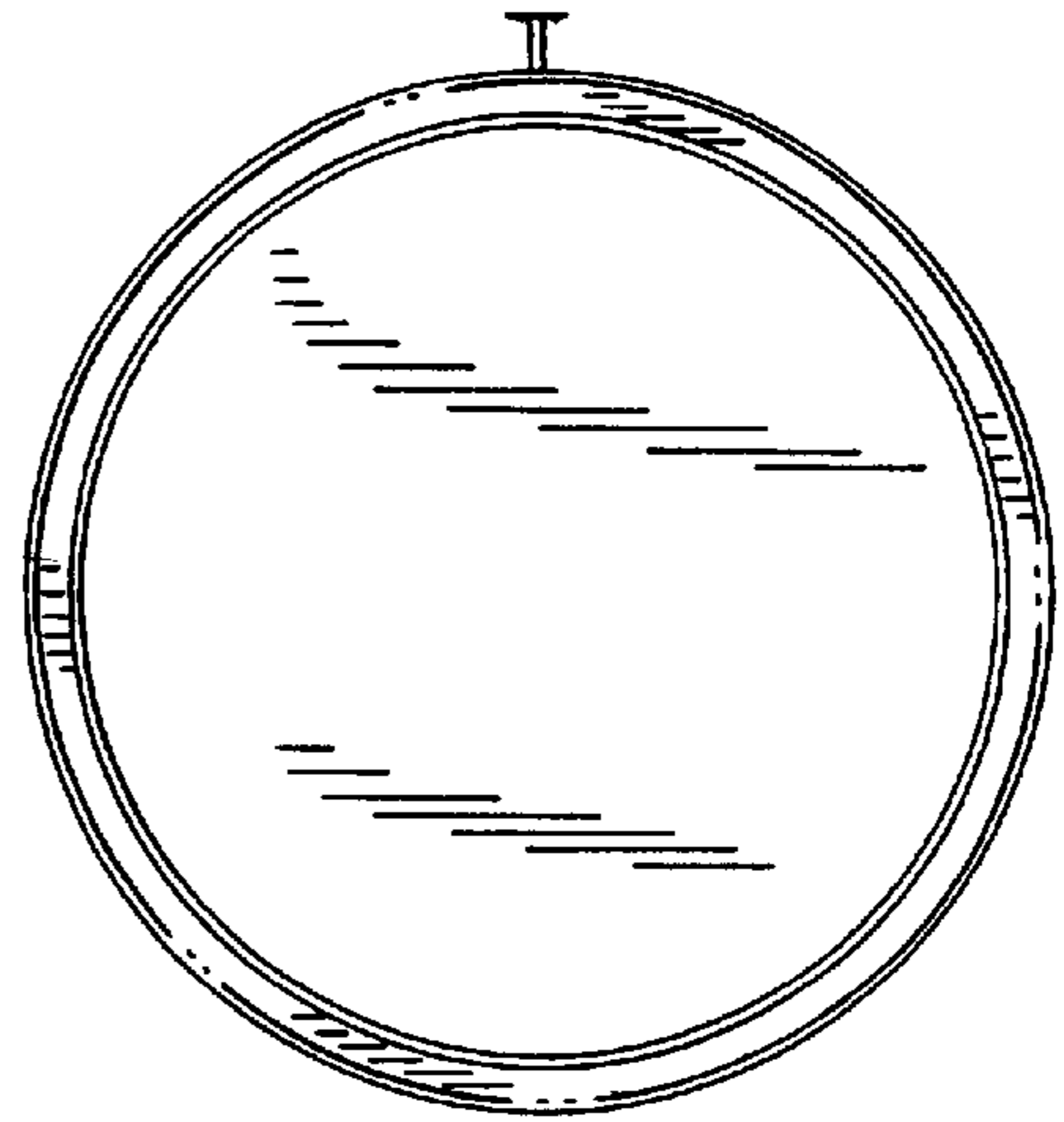


Fig.5.

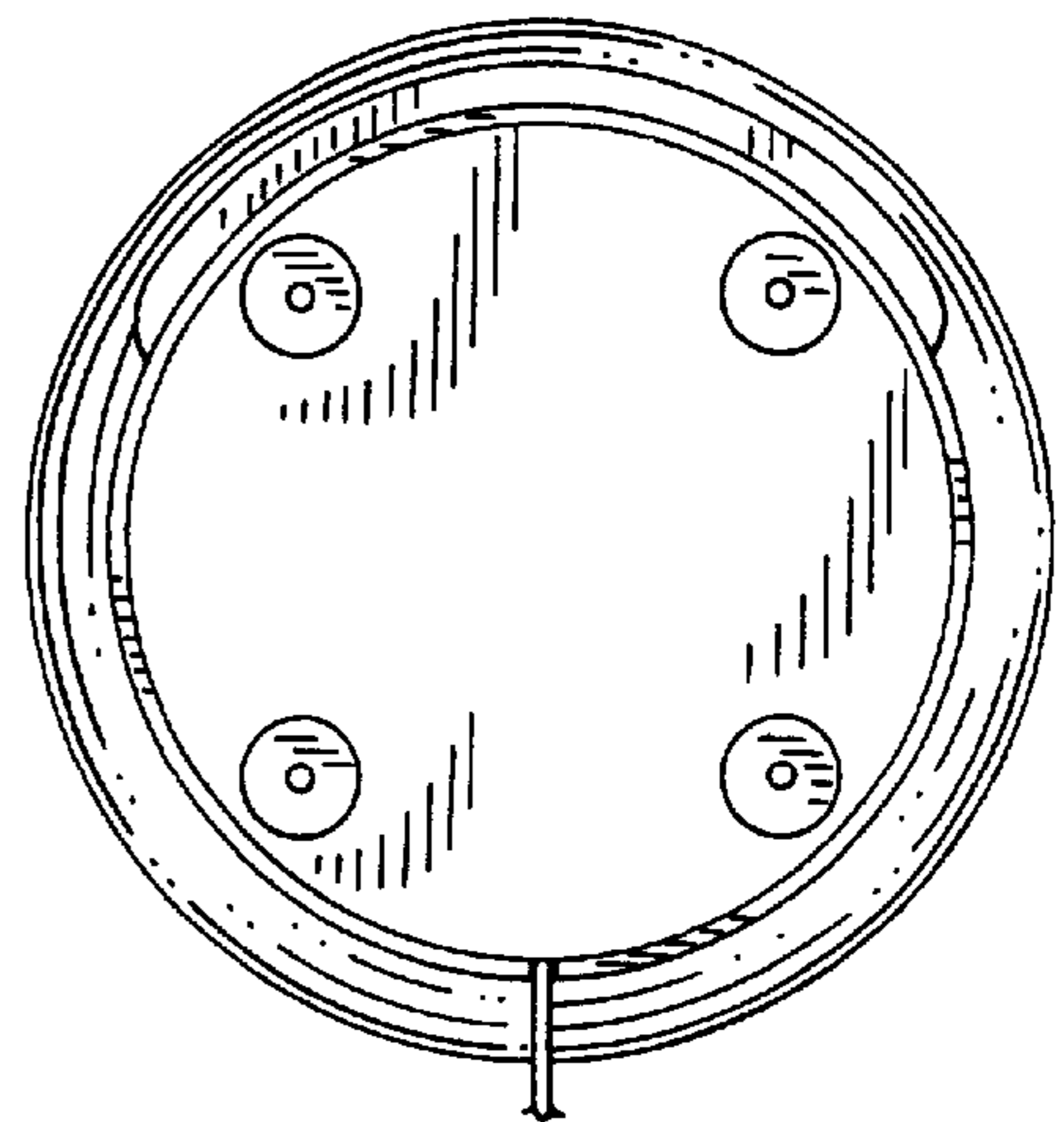


Fig.4.

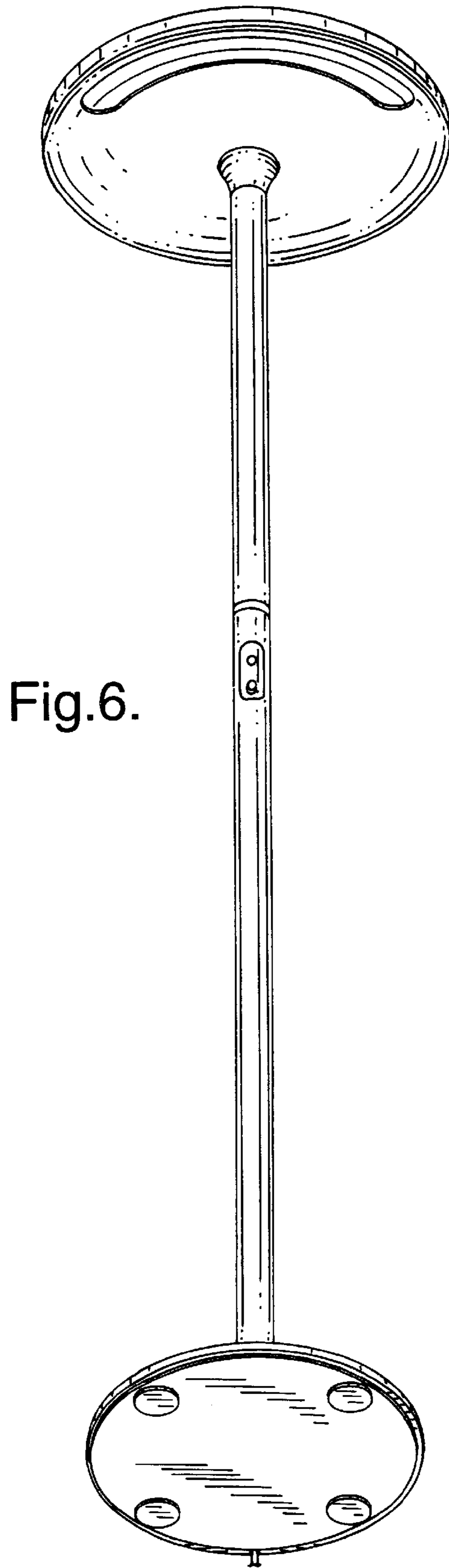


Fig.6.