



US00D469562S

(12) **United States Design Patent**  
**Crasset**

(10) **Patent No.:** **US D469,562 S**

(45) **Date of Patent:** **\*\* Jan. 28, 2003**

(54) **CEILING LAMP**

(75) **Inventor:** **Matali Crasset, Paris (FR)**

(73) **Assignee:** **Artemide S.p.A., Milan (IT)**

(\*\*) **Term:** **14 Years**

(21) **Appl. No.:** **29/149,172**

(22) **Filed:** **Oct. 4, 2001**

(30) **Foreign Application Priority Data**

Apr. 4, 2001 (IT) ..... MI0100254

(51) **LOC (7) Cl.** ..... **26-03**

(52) **U.S. Cl.** ..... **D26/90**

(58) **Field of Search** ..... D26/72, 80, 83-92,  
D26/67-71; 362/404-408, 147, 310, 326,  
341, 346-353, 362, 363

(56) **References Cited**

**U.S. PATENT DOCUMENTS**

- D45,313 S \* 2/1914 Schoenhardt ..... D26/88
- D51,905 S \* 3/1918 Murphy ..... D26/89
- D81,470 S \* 6/1930 Owen ..... D26/90

- D324,924 S \* 3/1992 Bengochea ..... D26/77
- D346,239 S \* 4/1994 Vamberszky et al. .... D26/85
- D346,459 S \* 4/1994 King ..... D26/72
- D441,119 S \* 4/2001 Crosby ..... D26/85
- D445,941 S \* 7/2001 Schaefer et al. .... D26/85

\* cited by examiner

*Primary Examiner*—Brian N. Vinson

*Assistant Examiner*—Clare E. Heflin

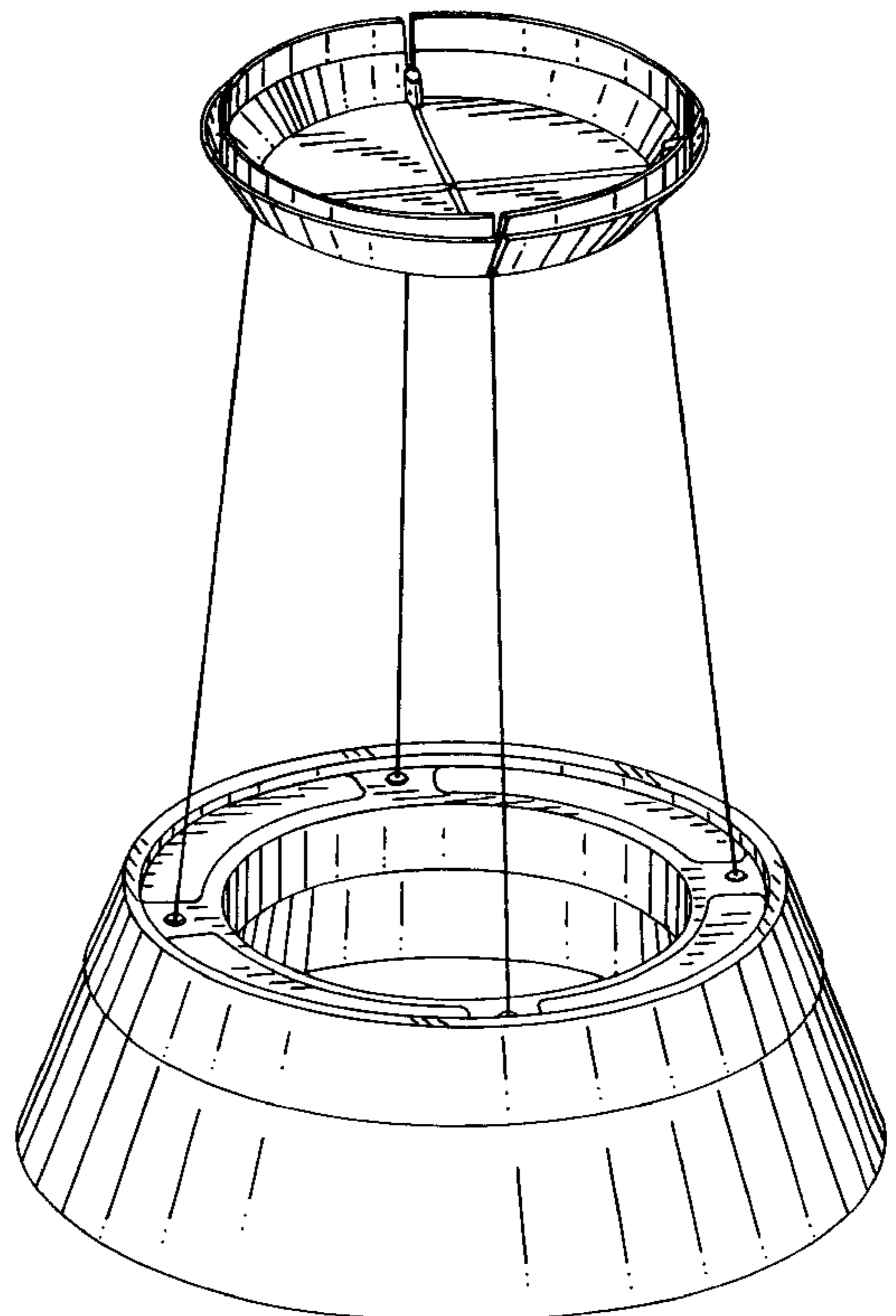
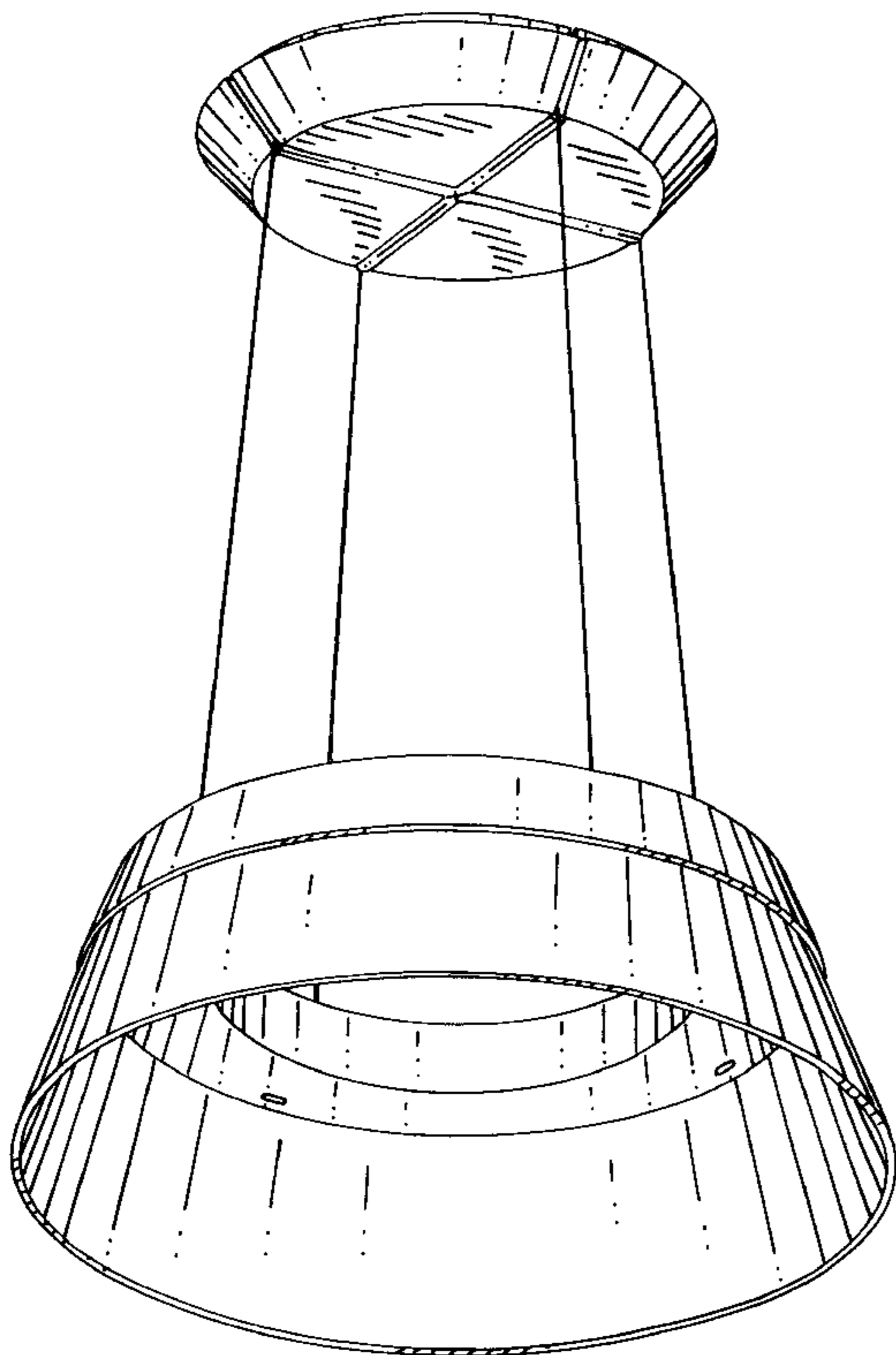
(57) **CLAIM**

The ornamental design for a ceiling lamp, substantially as shown and described.

**DESCRIPTION**

FIG. 1 is a front view of my new design relating to a ceiling lamp, the rear view being identical;  
 FIG. 2 is a left side view thereof, the right side view being identical;  
 FIG. 3 is a bottom plan view thereof;  
 FIG. 4 is a top plan view thereof;  
 FIG. 5 is a three-quarter bottom view in perspective thereof;  
 and,  
 FIG. 6 is a three-quarter top view in perspective thereof.

**1 Claim, 3 Drawing Sheets**



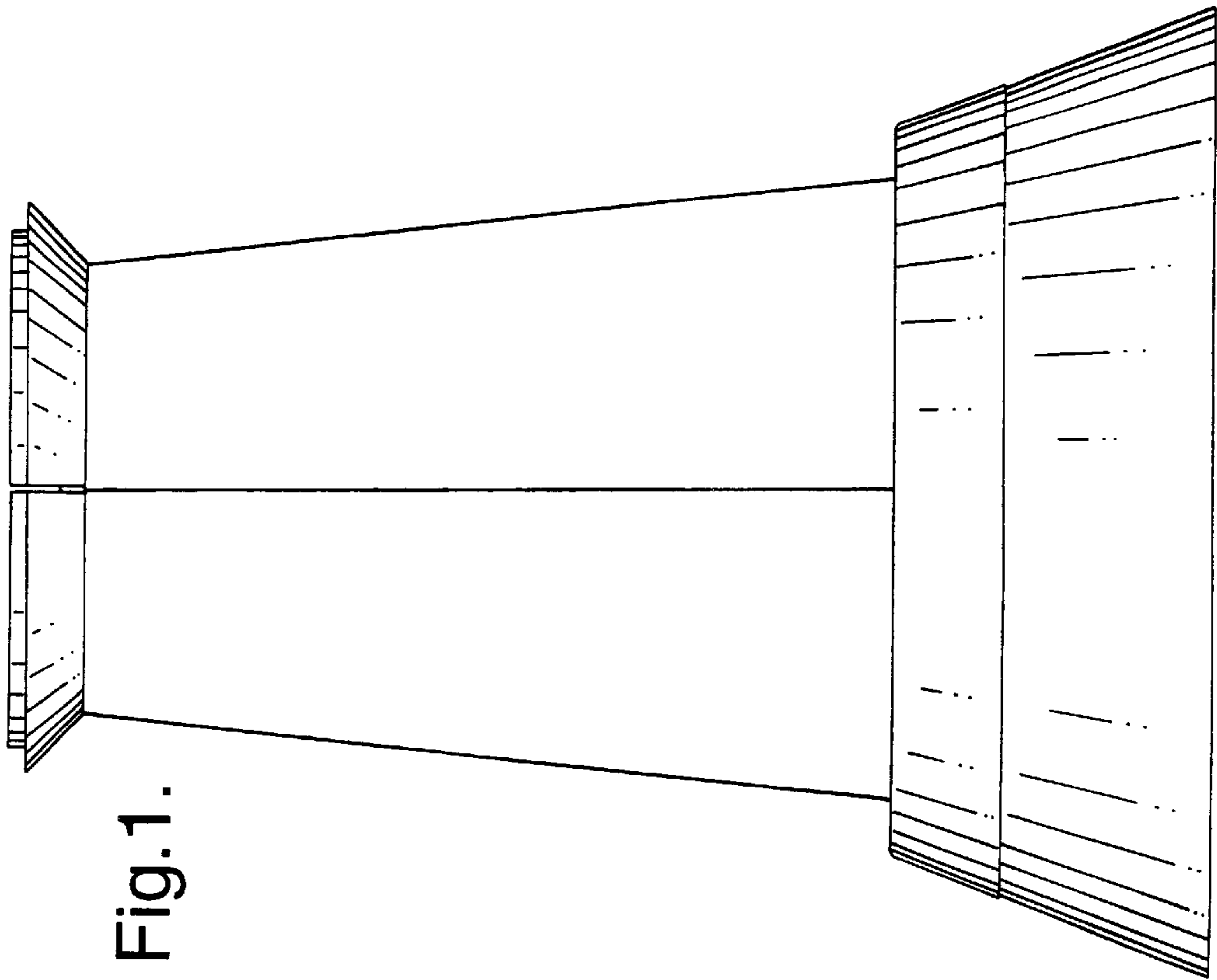


Fig. 1.

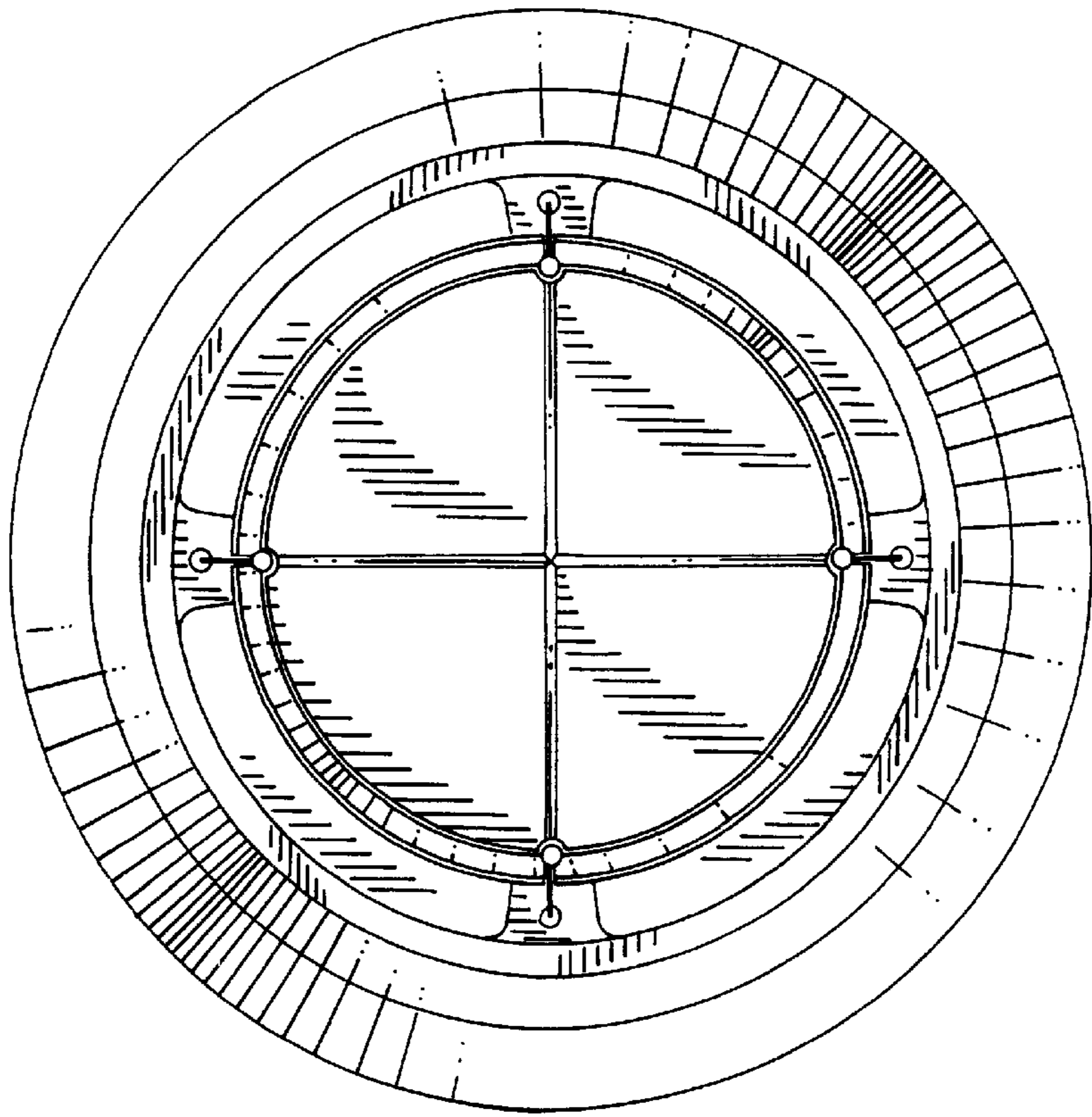


Fig. 4.

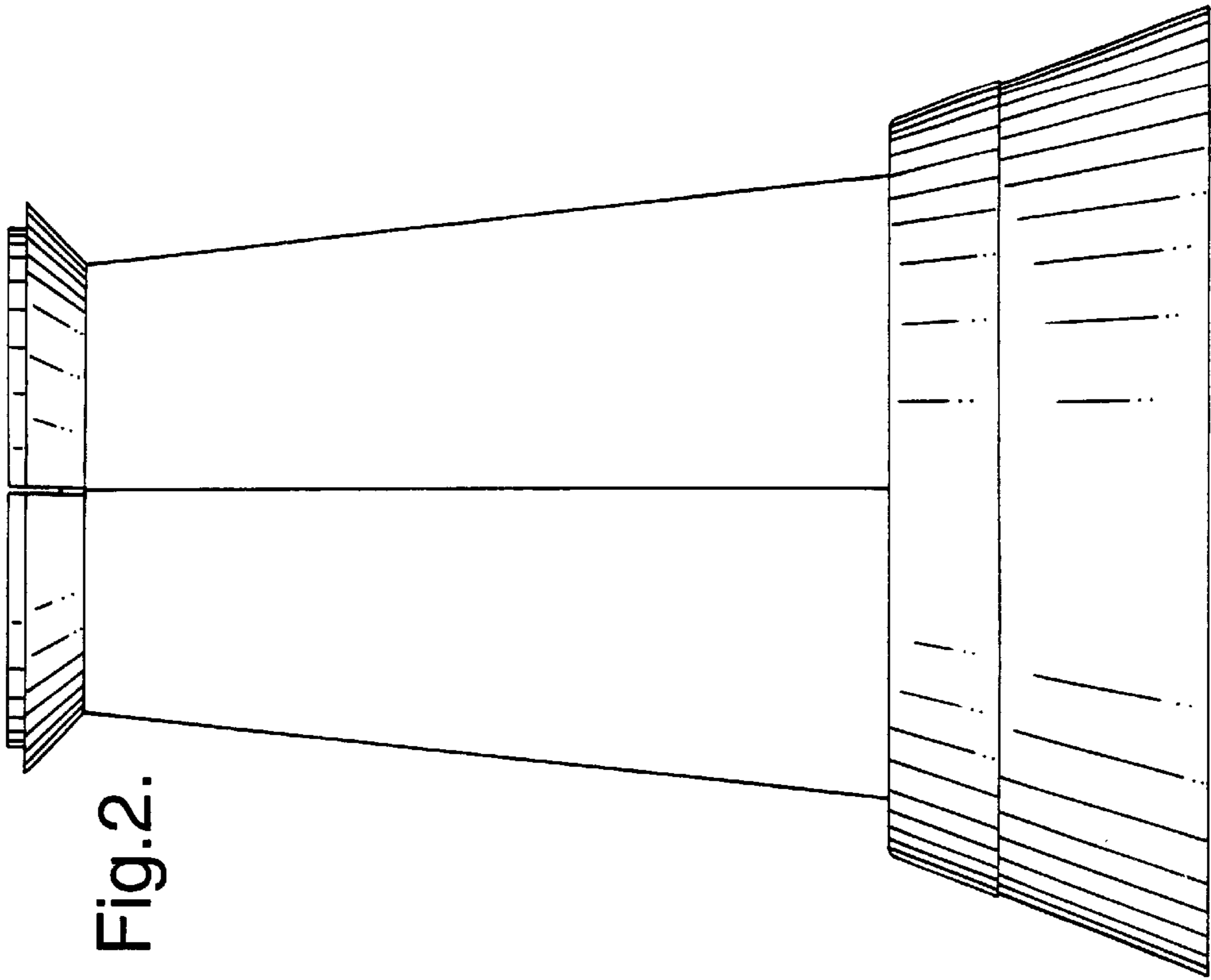


Fig. 2.

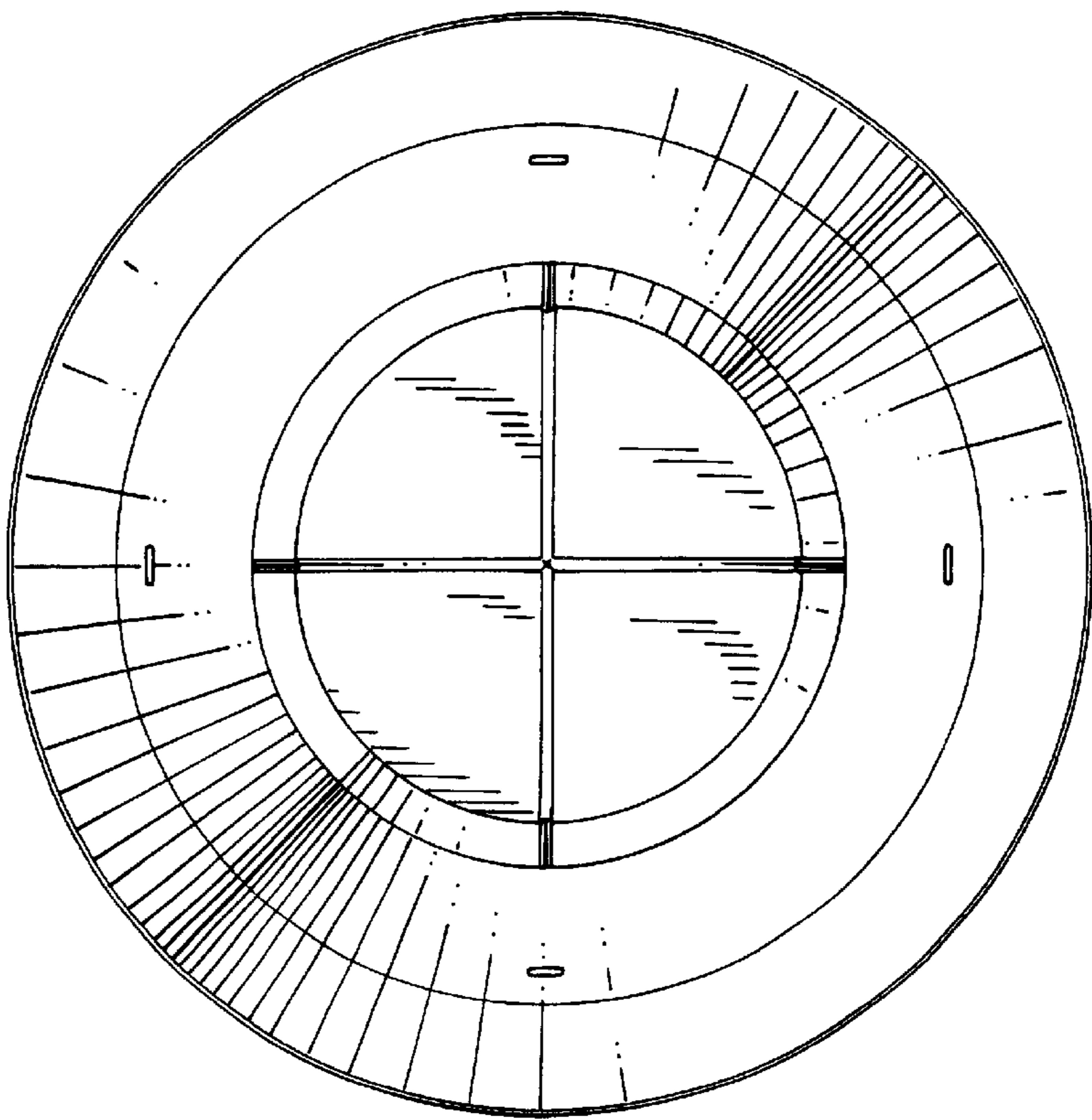


Fig. 3.

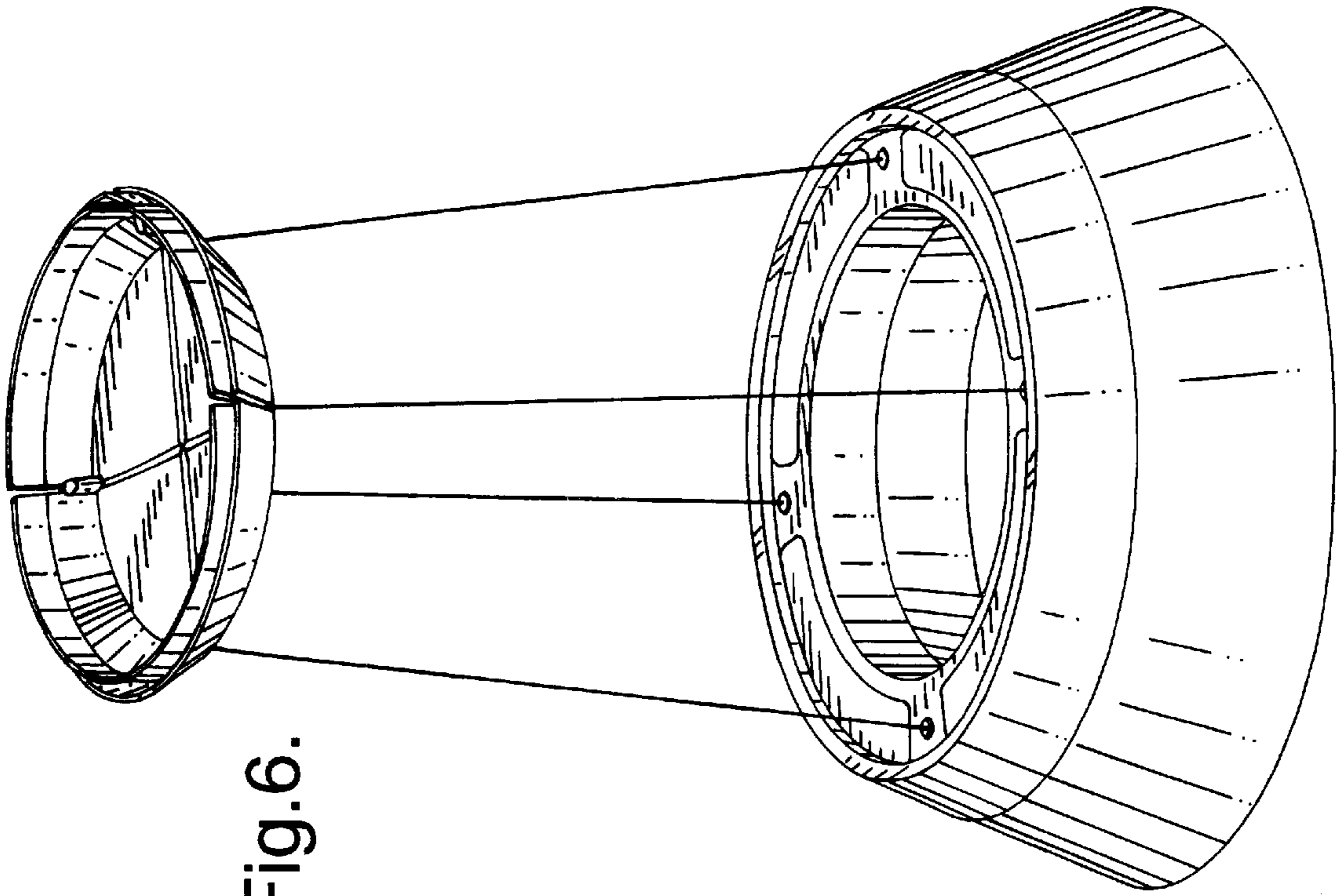


Fig. 6.

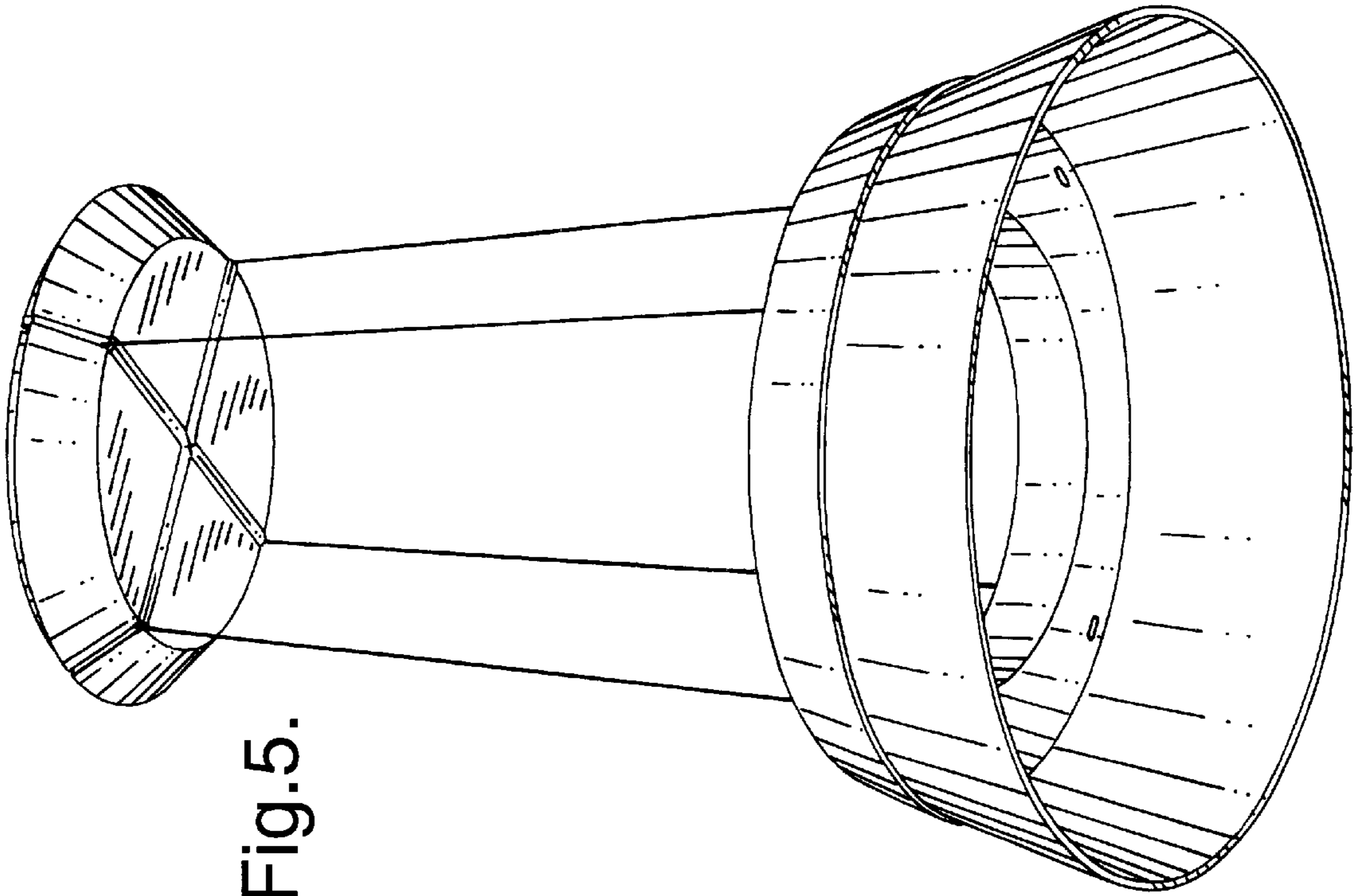


Fig. 5.