



US00D469560S

(12) **United States Design Patent**  
**Nayler et al.**

(10) **Patent No.:** **US D469,560 S**  
(45) **Date of Patent:** **\*\* Jan. 28, 2003**

(54) **LIGHT ASSEMBLY**

(75) Inventors: **T. Kenneth Nayler**, Concord (CA);  
**Douglas S. Nayler**, Concord (CA)

(73) Assignee: **Envirolights Mfg., Inc.**, Concord (CA)

(\*\*) Term: **14 Years**

(21) Appl. No.: **29/157,425**

(22) Filed: **Mar. 20, 2002**

(51) **LOC (7) Cl.** ..... **26-03**

(52) **U.S. Cl.** ..... **D26/78**

(58) **Field of Search** ..... D26/72, 75-78;  
362/147, 404-408, 432, 217-223; 43/112-114

(56) **References Cited**

**U.S. PATENT DOCUMENTS**

D123,887 S	*	12/1940	Koehler
D135,253 S	*	3/1943	Hrabak
D135,254 S	*	3/1943	Hraback
D158,803 S	*	5/1950	Russell
2,732,484 A	*	1/1956	Lipscomb
3,023,539 A		3/1962	Emerson
4,074,457 A		2/1978	Sato et al.
4,117,624 A		10/1978	Phillips
4,654,998 A		4/1987	Clay
4,876,822 A		10/1989	White
4,979,329 A		12/1990	Olive et al.
5,251,397 A		10/1993	Exum et al.
5,365,690 A		11/1994	Nelson et al.

**OTHER PUBLICATIONS**

Illuminotecnica, May 1997, p. 1, light fixture in top right photo.\*

Legion Lighting Co. Inc.'s Buying guide, dated Nov. 1968; p. 34, Series 1294-1194 (top illustration).\*

The Flylight, Distributed in Canada by KemSan Inc., Oakville, Ontario.

Catchmaster, Distributed by Atlantic Paste & Glue Co., Inc., Brooklyn, New York.

Catchmaster, Distributed by Atlantic Paste & Glue Co., Inc., Brooklyn, New York.

\* cited by examiner

*Primary Examiner*—Alan P. Douglas

*Assistant Examiner*—Clare E. Heflin

(74) *Attorney, Agent, or Firm*—Sim & McBurney

(57) **CLAIM**

The ornamental design for a light assembly, as shown and described.

**DESCRIPTION**

FIG. 1 is a perspective view taken from above and from the side of the light assembly embodying our new design;

FIG. 2 is a front elevational view thereof;

FIG. 3 is a rear elevational view thereof;

FIG. 4 is a top plan view thereof;

FIG. 5 is a bottom plan view thereof;

FIG. 6 is an enlarged right side elevational view thereof;

FIG. 7 is an enlarged left side elevational view thereof;

FIG. 8 is an enlarged cross-sectional view of FIG. 3 taken along line A—A;

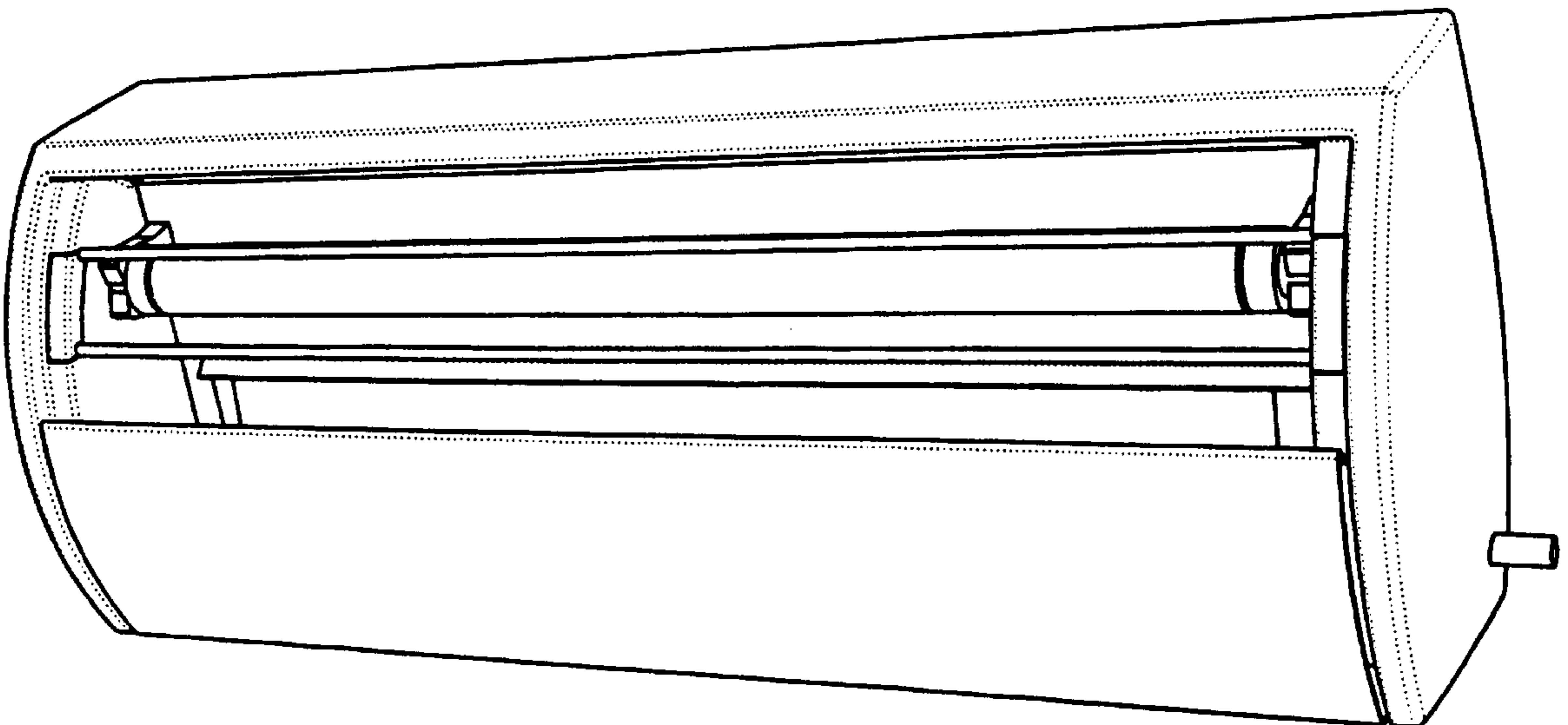
FIG. 9 is another perspective view taken from above and from the side of the light assembly with the lamp and the glue board assembly removed;

FIG. 10 is a front elevational view thereof; and,

FIG. 11 is a top plan view thereof.

Portions of the device are shown removed in FIGS. 9-11 for illustrative purposes only.

**1 Claim, 11 Drawing Sheets**



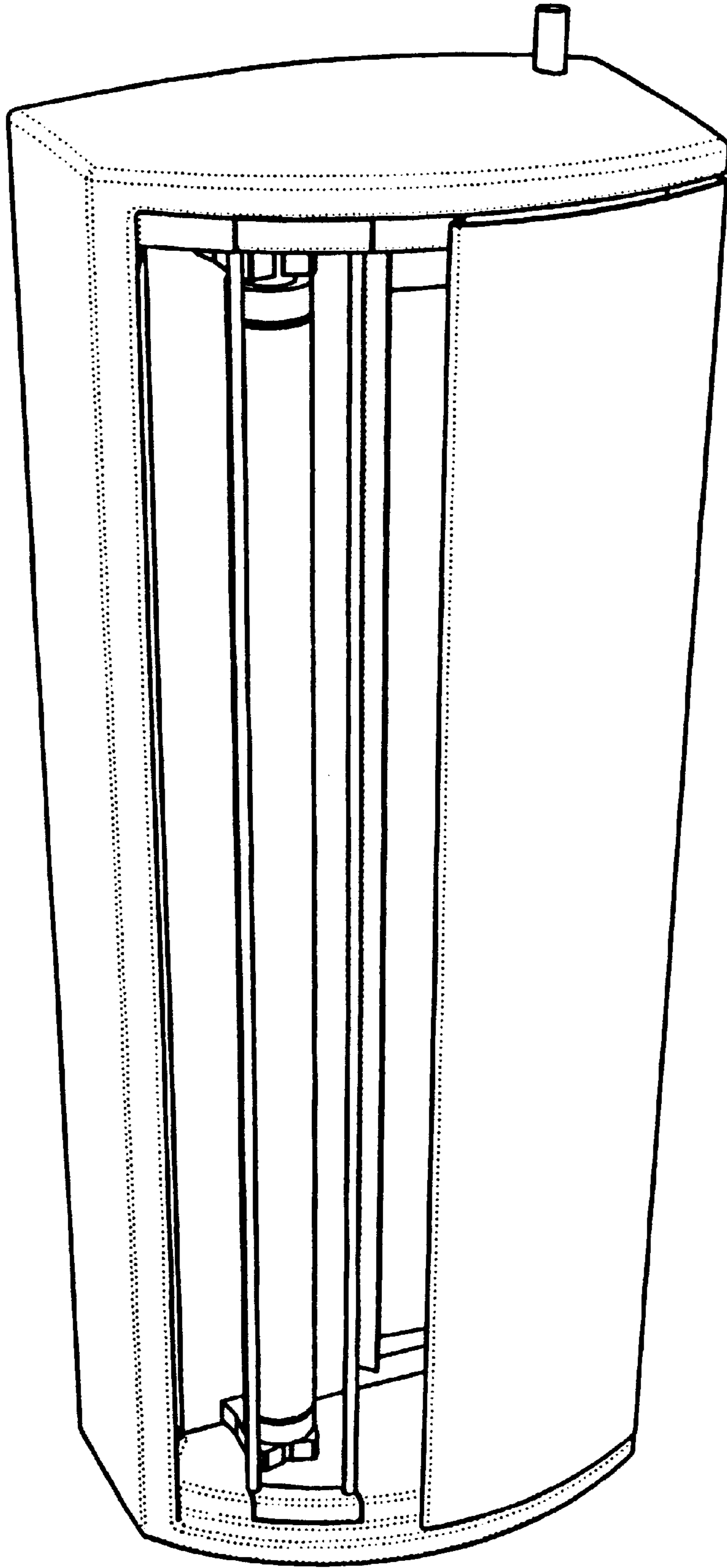


Fig. 1

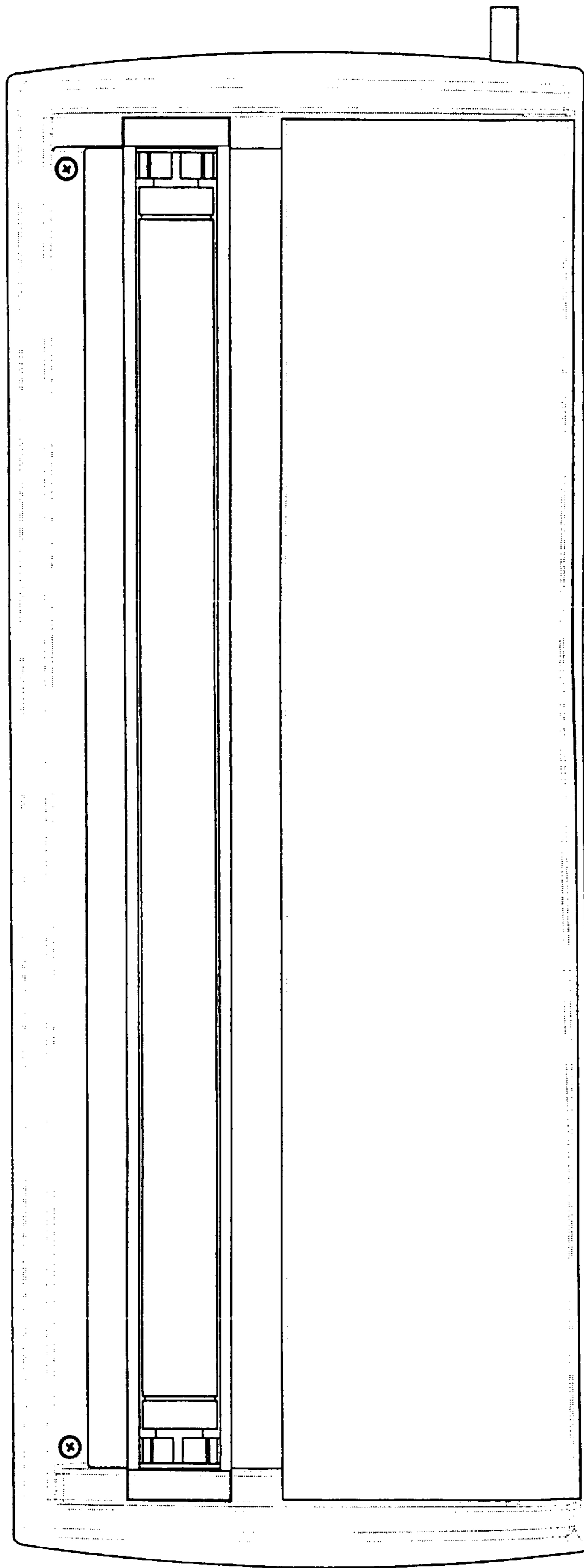


Fig. 2

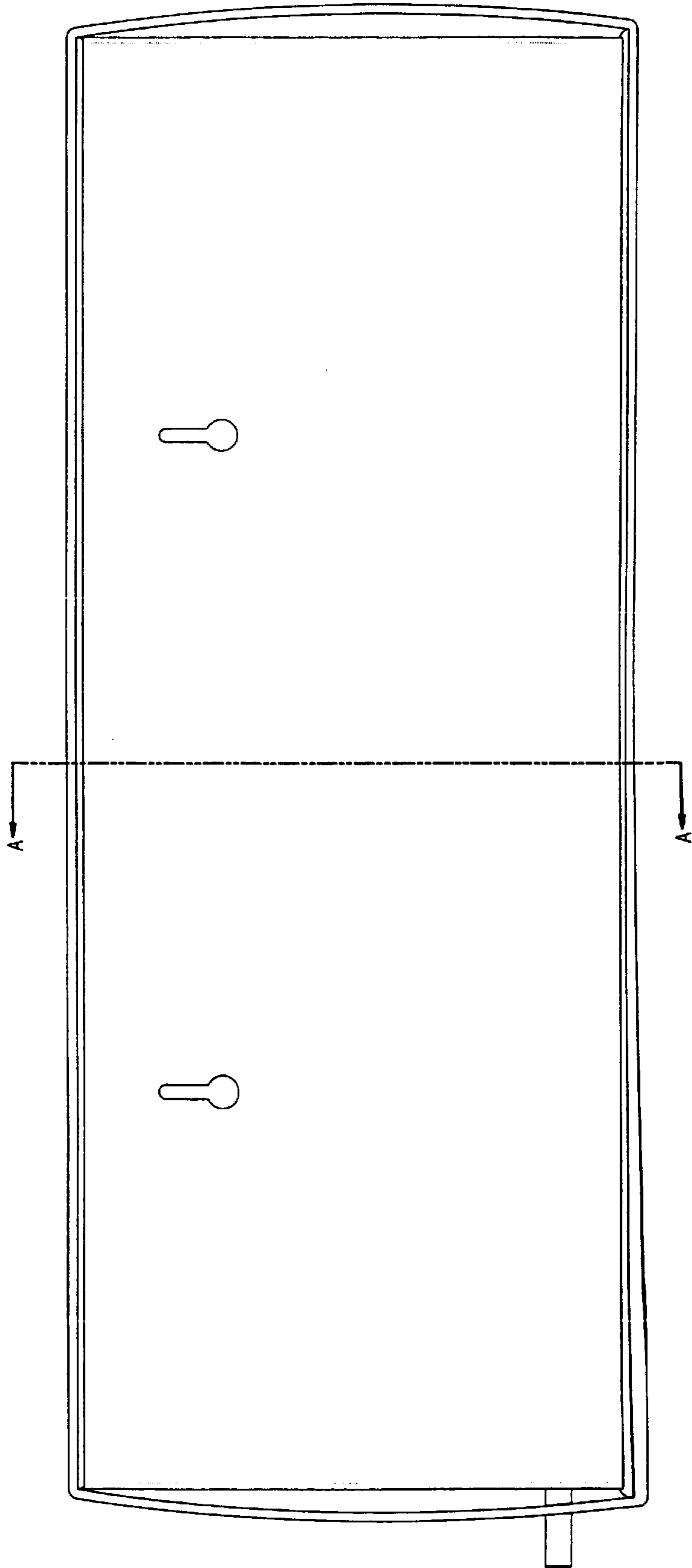


Fig. 3

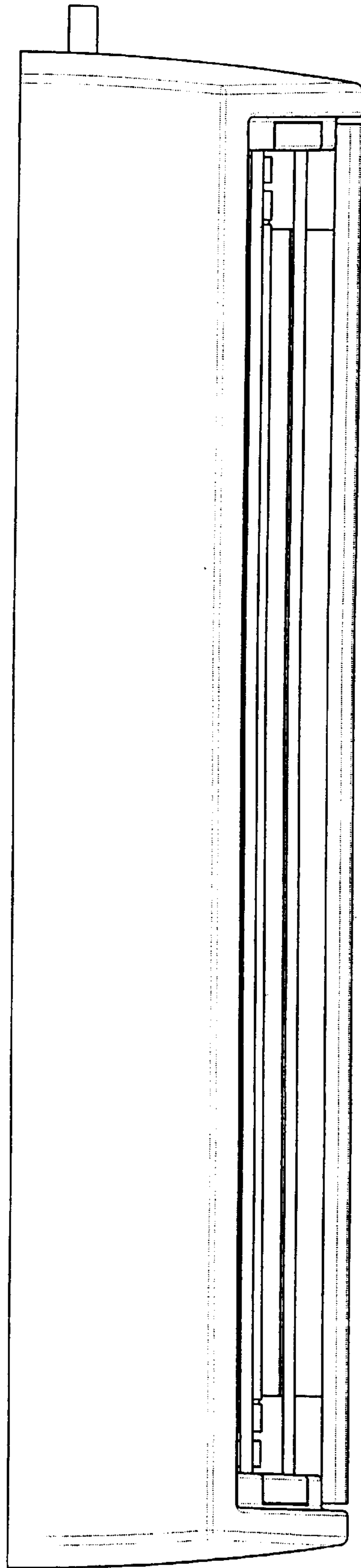


Fig. 4

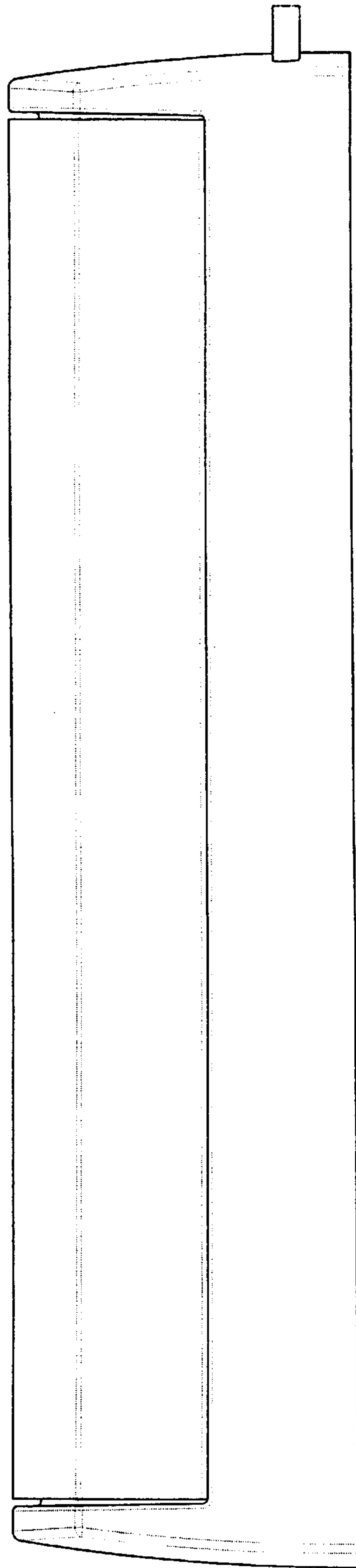


Fig. 5

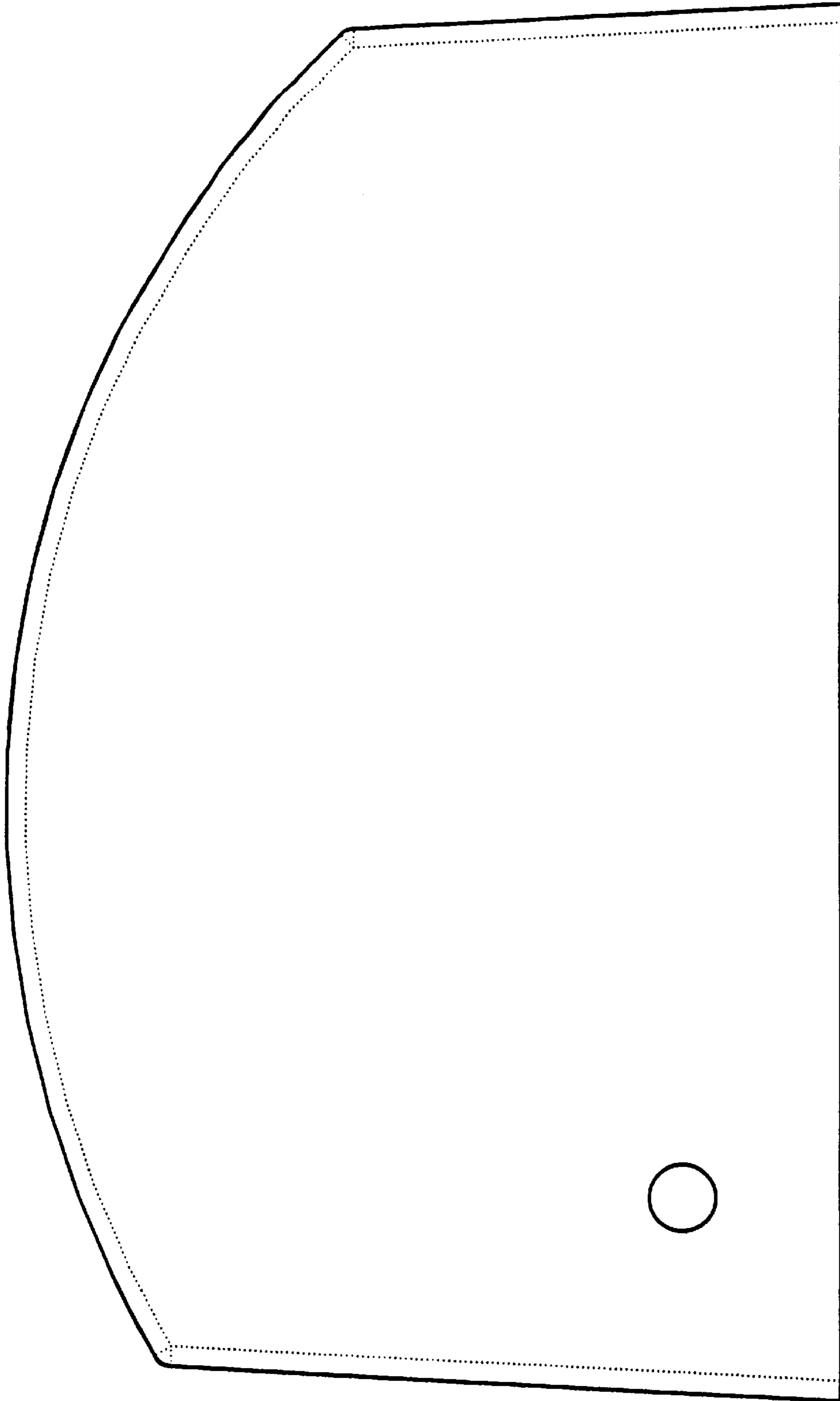


Fig. 6

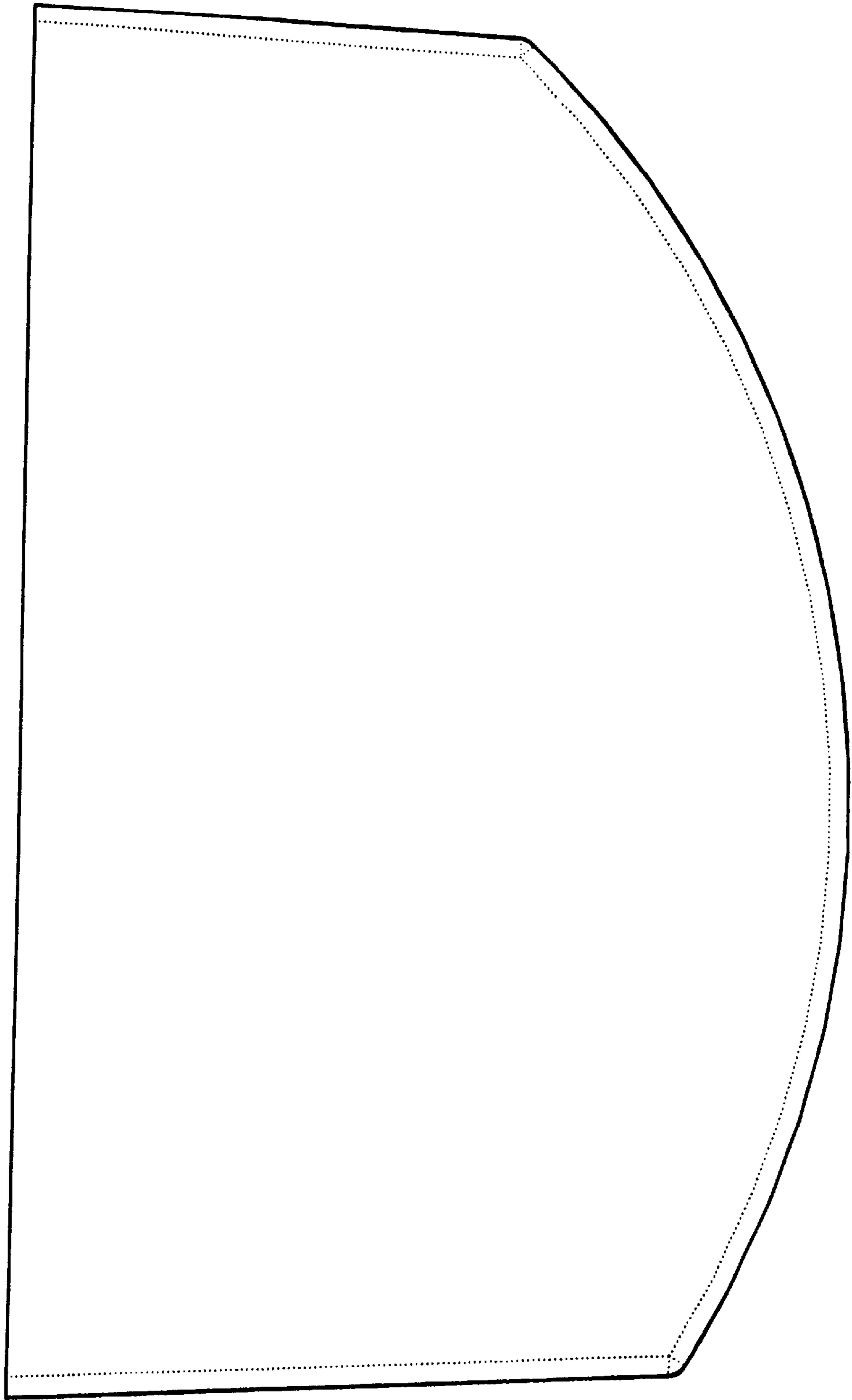


Fig. 7



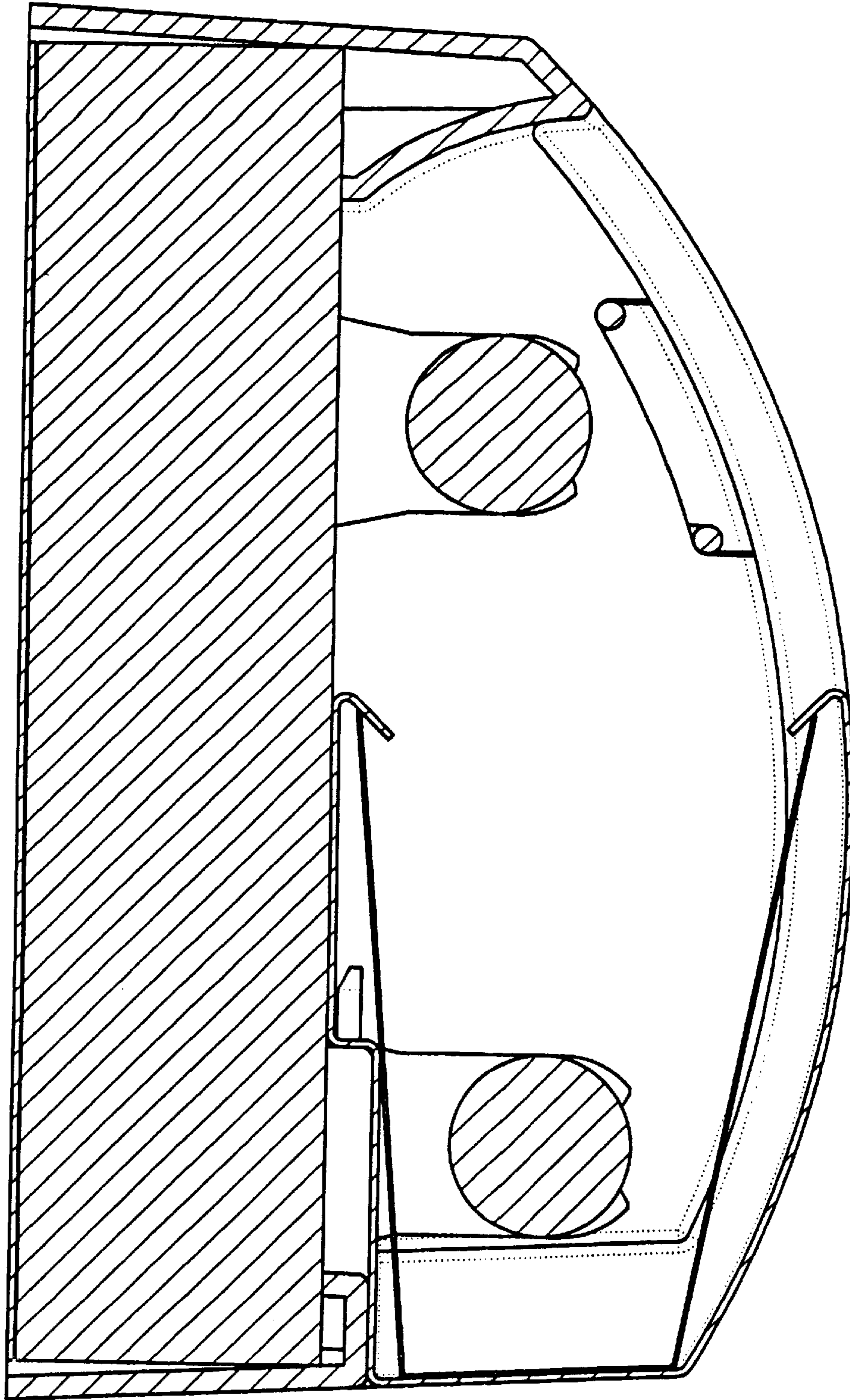


Fig. 8

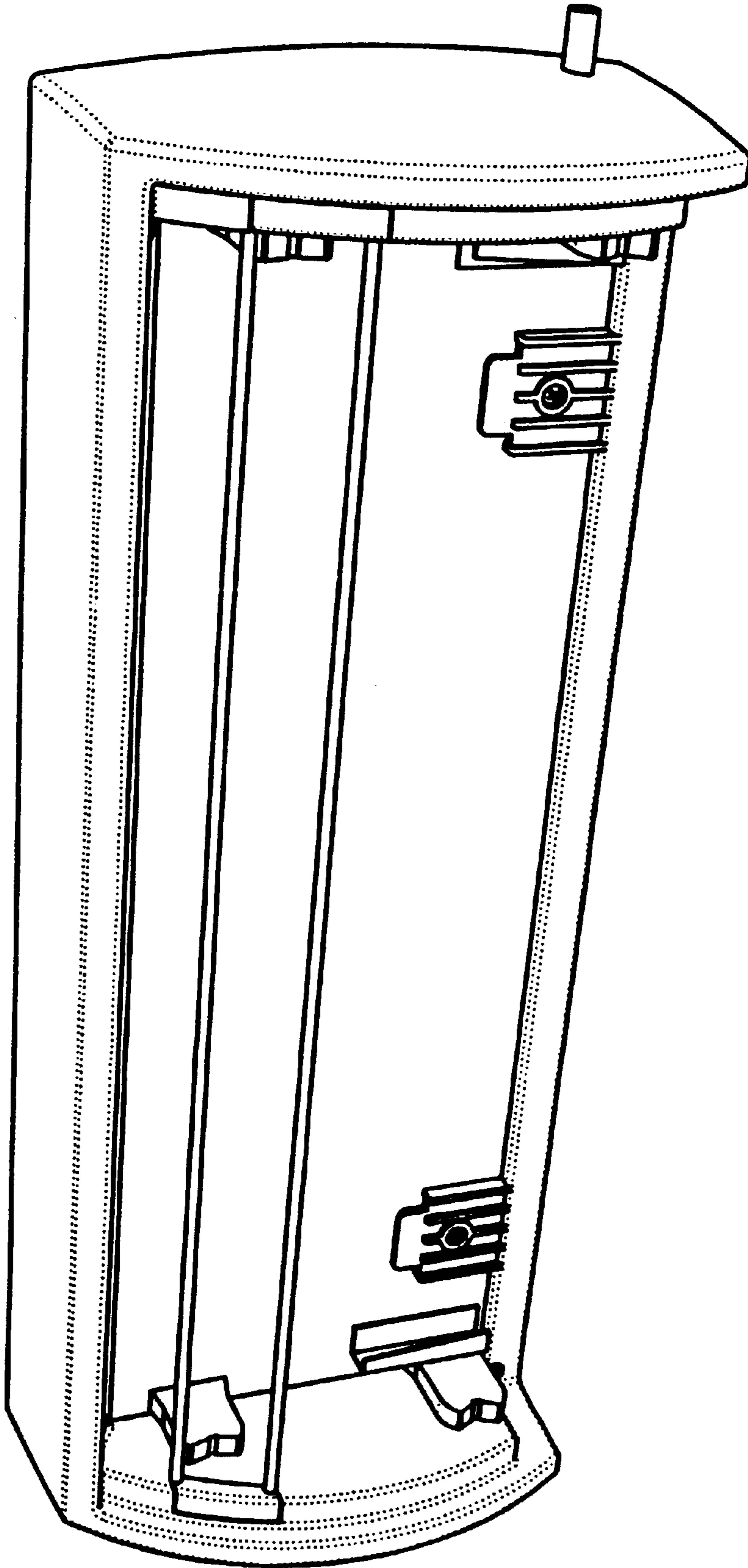


Fig. 9

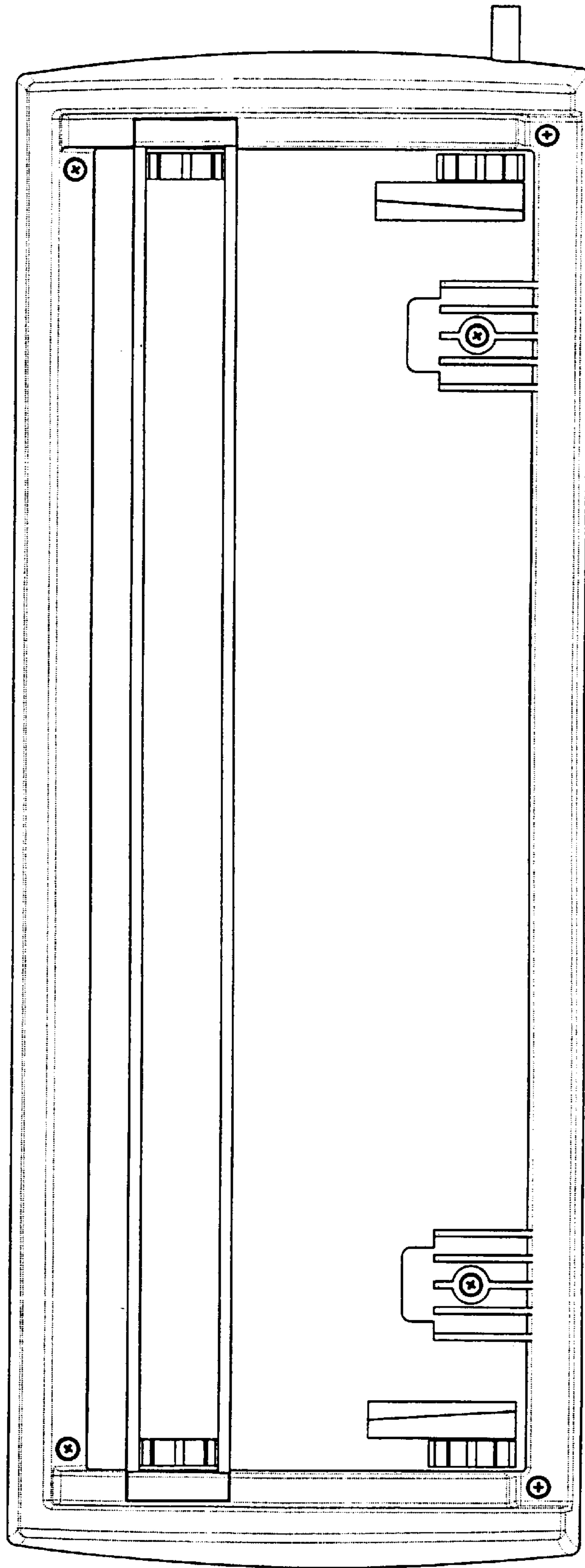


Fig. 10

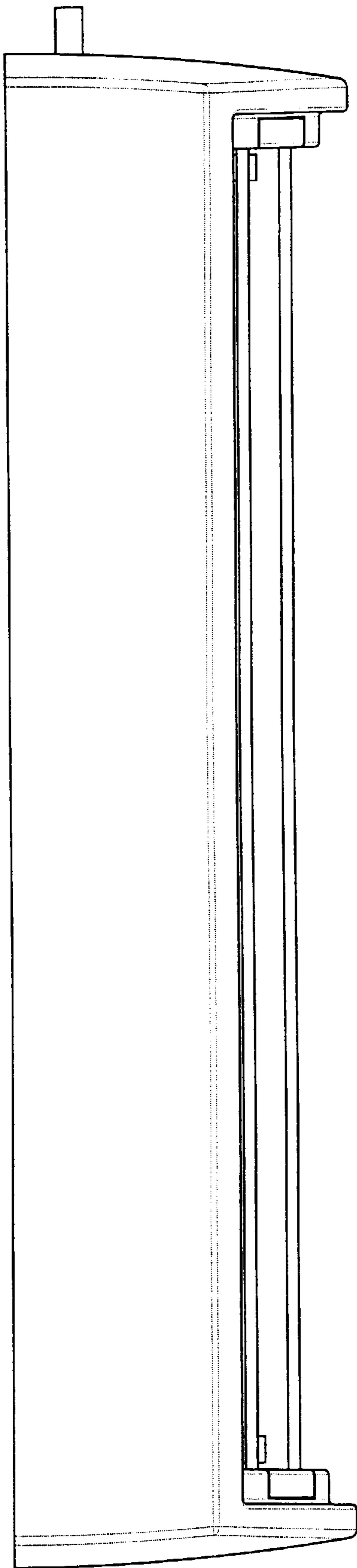


Fig. 11