



US00D469559S

(12) **United States Design Patent**
Chang

(10) **Patent No.:** **US D469,559 S**

(45) **Date of Patent:** **** Jan. 28, 2003**

(54) **SOLAR LAMP**

(76) Inventor: **Tsu-Kang Chang**, No. 569-1, Pei-An Rd., Chung-Shan Dist., Taipei (TW)

(**) Term: **14 Years**

(21) Appl. No.: **29/163,079**

(22) Filed: **Jun. 26, 2002**

(51) **LOC (7) Cl.** **26-05**

(52) **U.S. Cl.** **D26/67**

(58) **Field of Search** D26/67-72, 85,
D26/87, 92; 362/147, 153, 153.1, 183,
276, 363, 367, 431

(56) **References Cited**

U.S. PATENT DOCUMENTS

| | | | | | |
|------------|---|---------|-------------|-------|--------|
| 182,866 A | * | 10/1876 | Squires | | 49/229 |
| D85,845 S | * | 12/1931 | Smith | | D26/67 |
| D333,189 S | * | 2/1993 | Hall et al. | | D26/67 |
| D420,461 S | * | 2/2000 | Meck et al. | | D26/87 |
| D457,979 S | * | 5/2002 | Chen | | D26/72 |

OTHER PUBLICATIONS

Intermatic brochure dated Aug. 1992, fixture in central lower half of photo.*

* cited by examiner

Primary Examiner—Alan P. Douglas

Assistant Examiner—Clare E. Heflin

(74) *Attorney, Agent, or Firm*—Jackson Walker L.L.P.

(57) **CLAIM**

The ornamental design for a solar lamp, as shown and described.

DESCRIPTION

FIG. 1 is a perspective view of a solar lamp, showing my new design;

FIG. 2 is a front elevational view thereof;

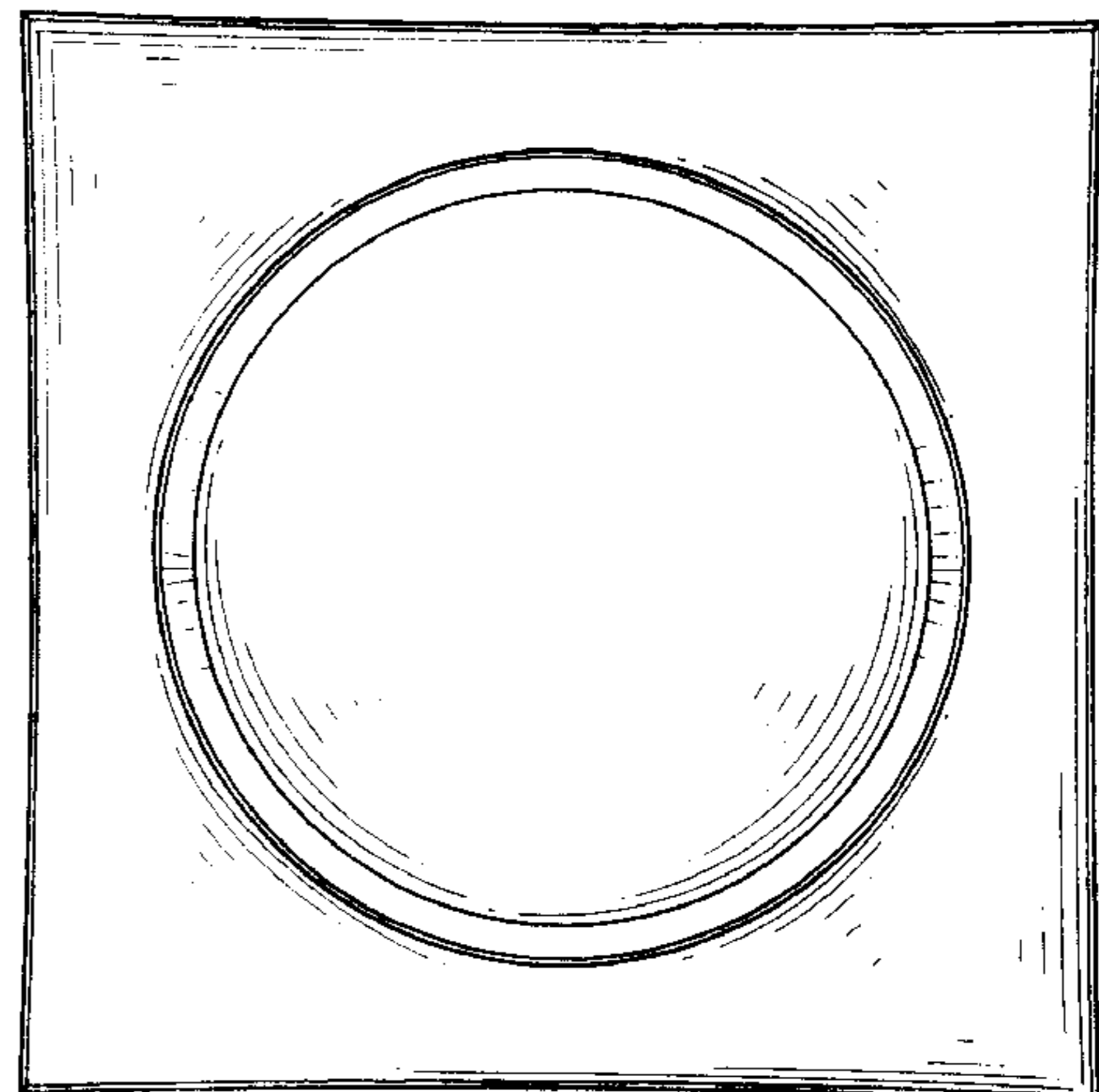
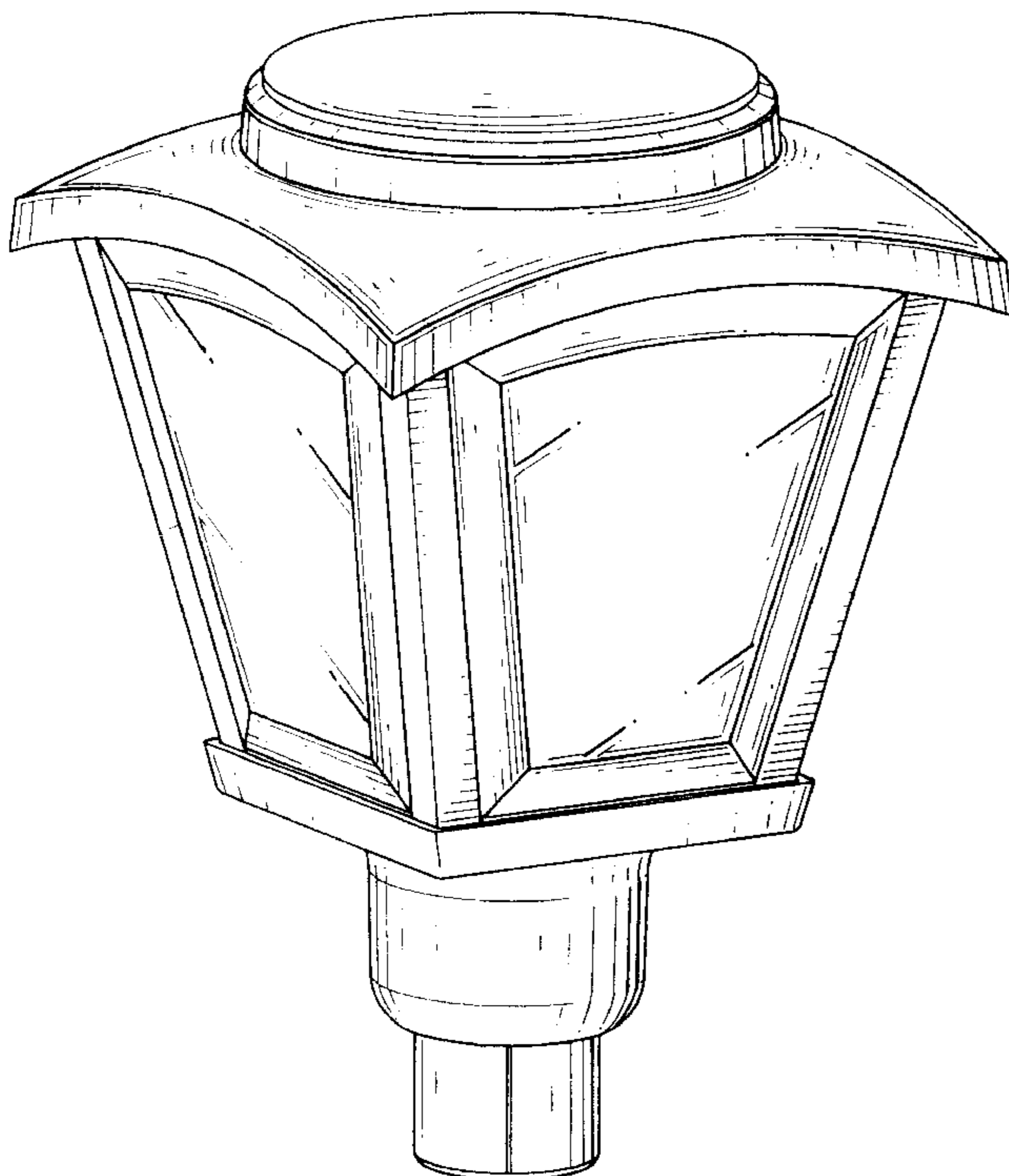
FIG. 3 is a rear elevation view which is a mirror image of the front elevation view;

FIG. 4 is a left elevational view thereof, the right elevational view is a mirror image of the left elevational view;

FIG. 5 is top plan view thereof; and,

FIG. 6 is a bottom plan view thereof.

1 Claim, 5 Drawing Sheets



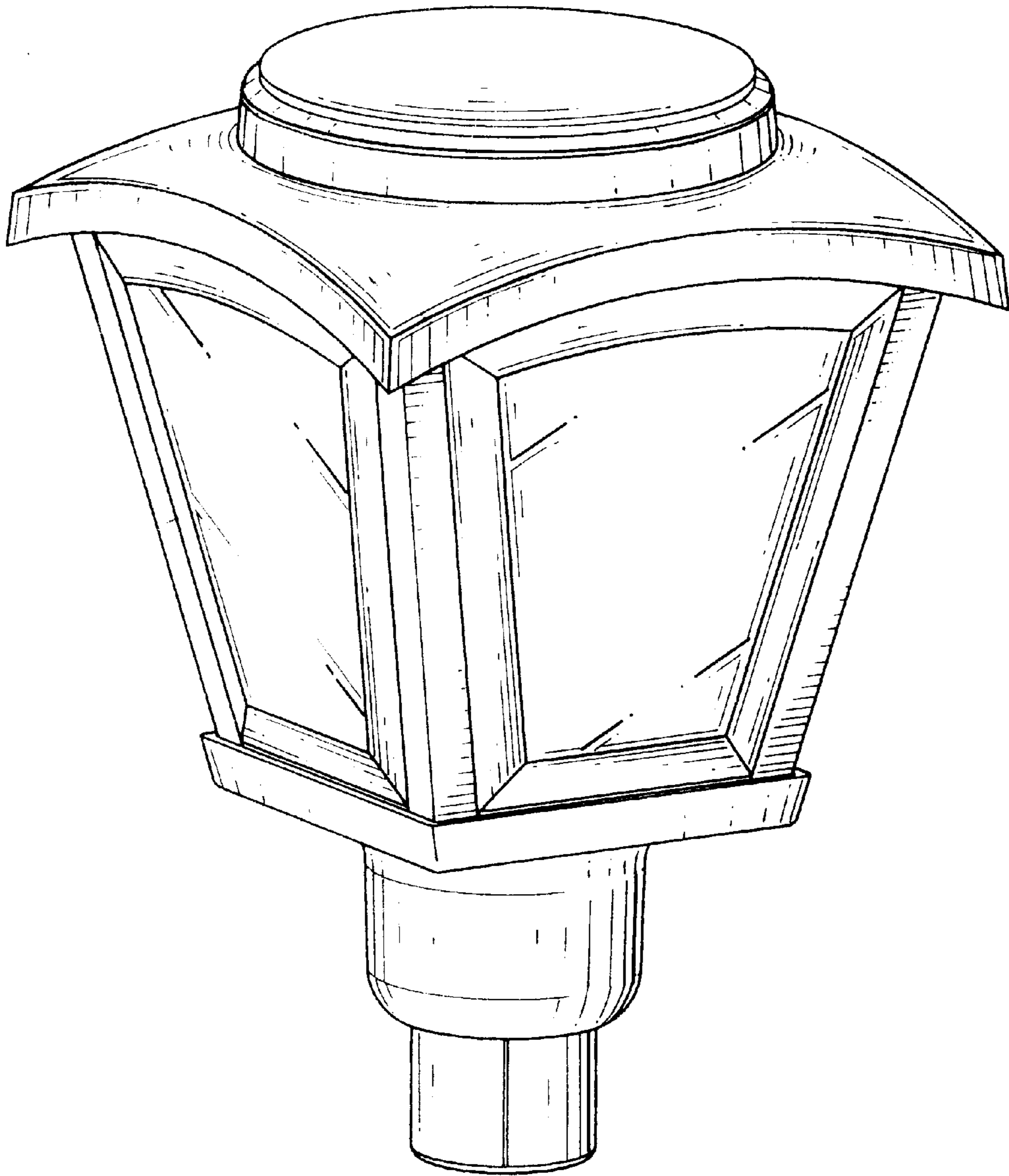


FIG. 1

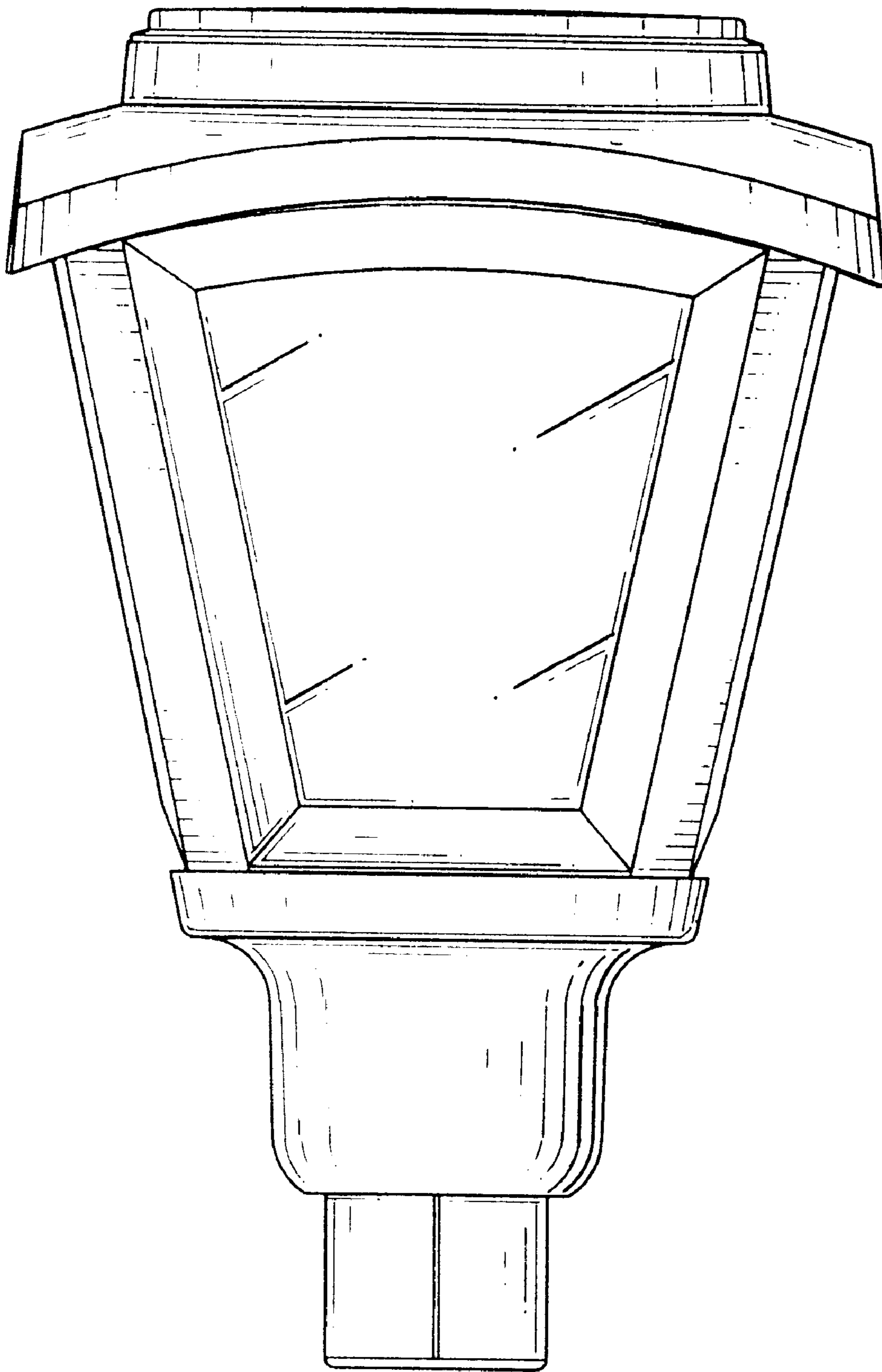


FIG. 2

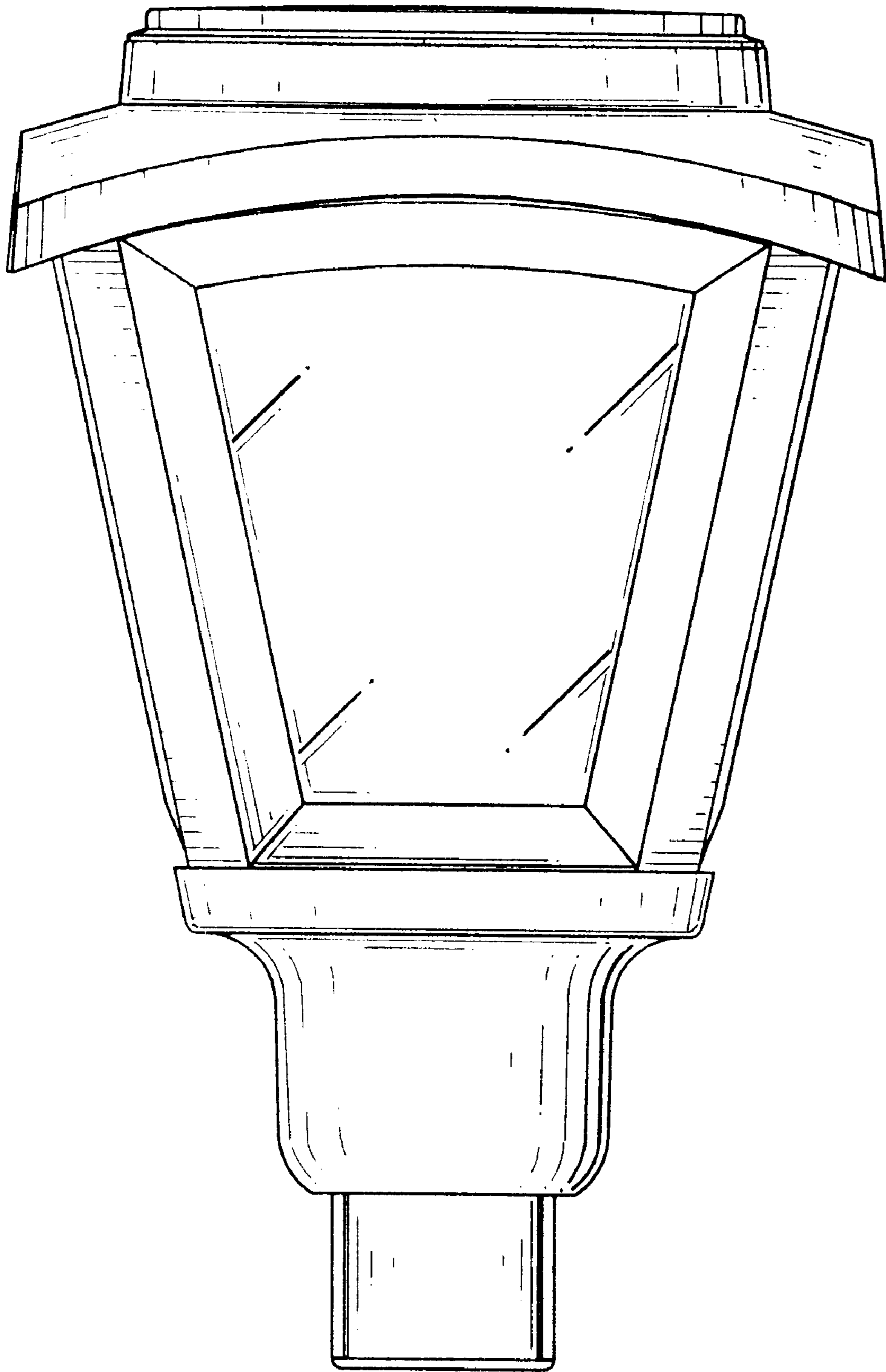


FIG.3

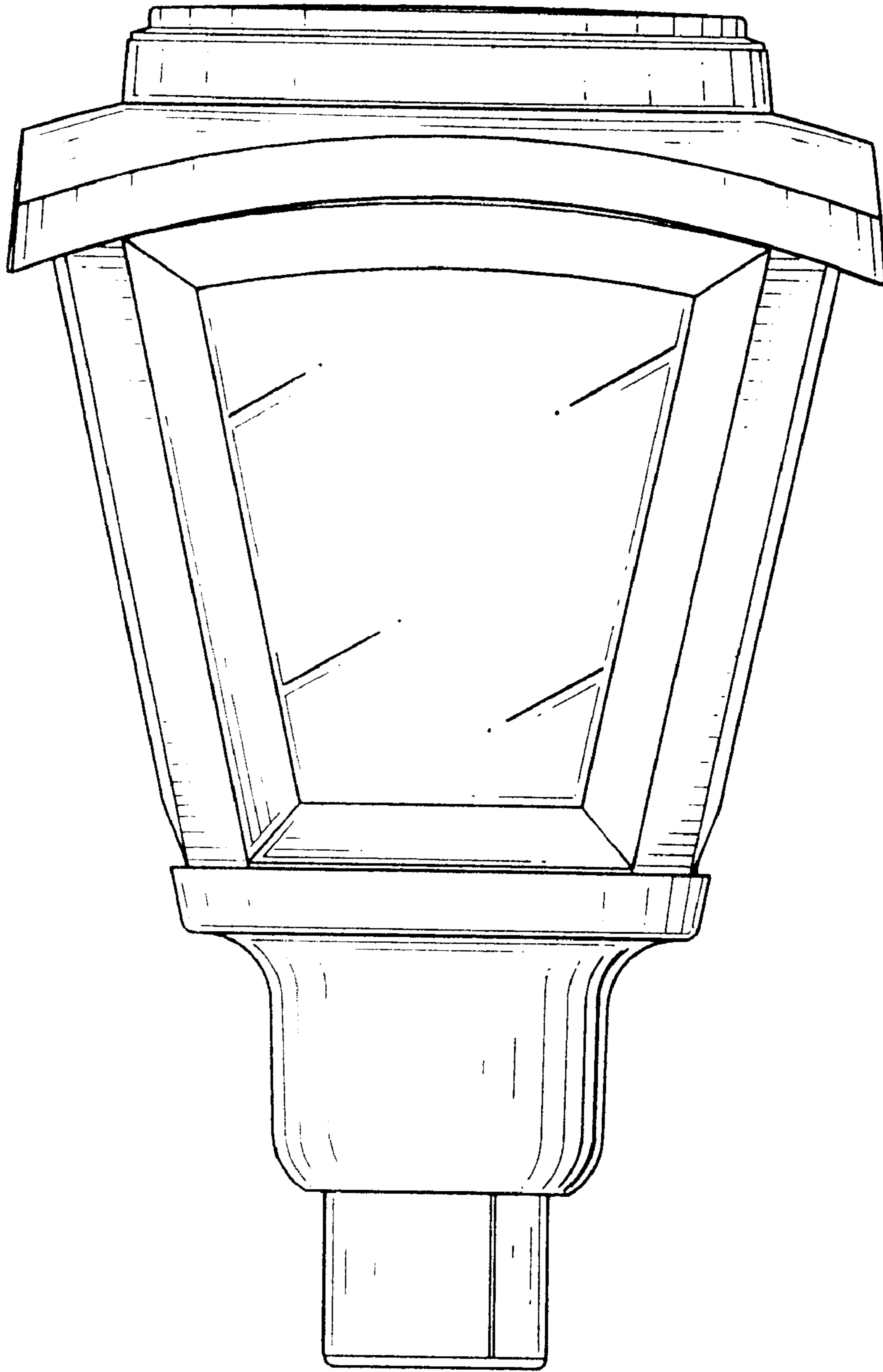


FIG. 4

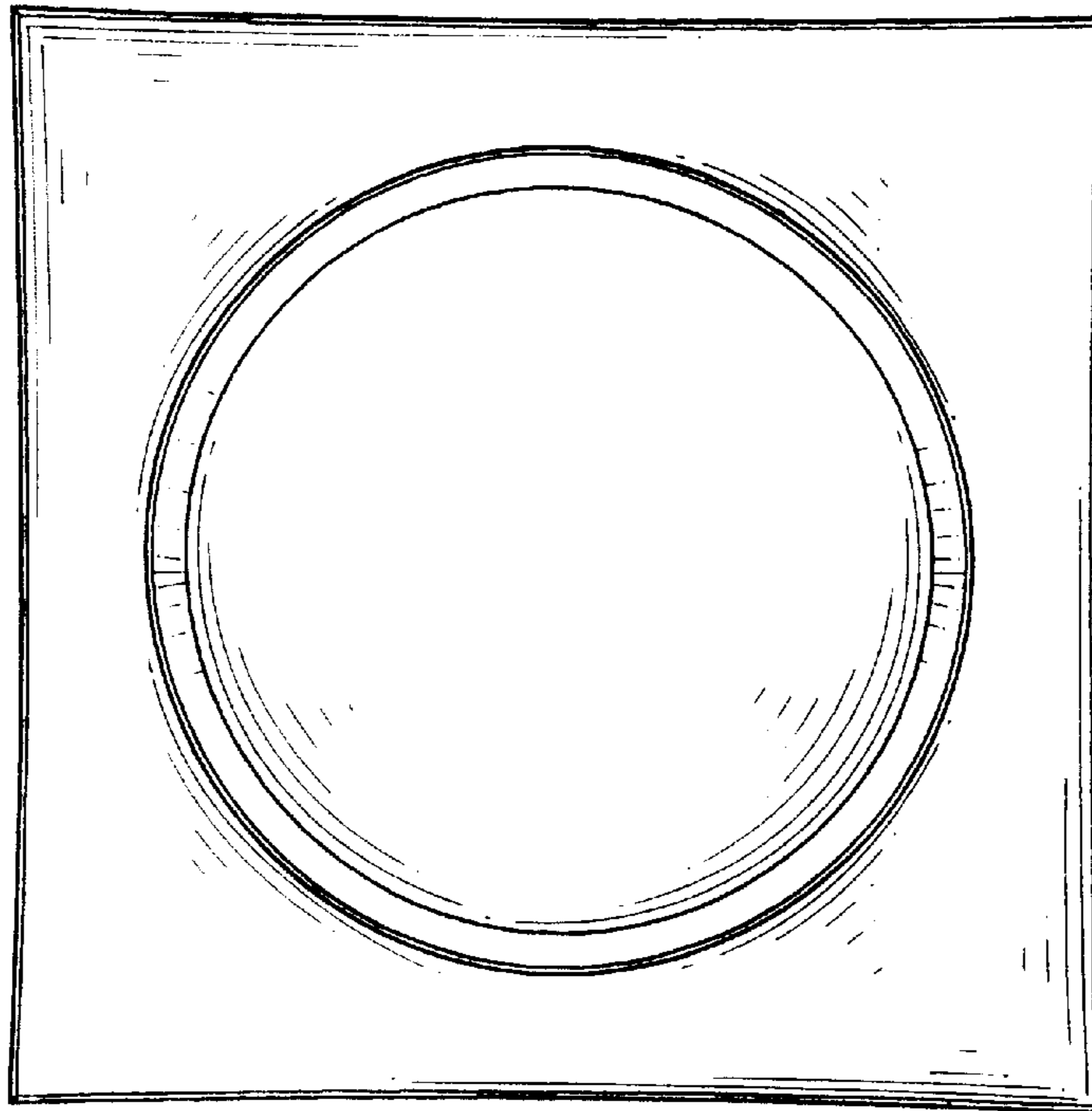


FIG. 5

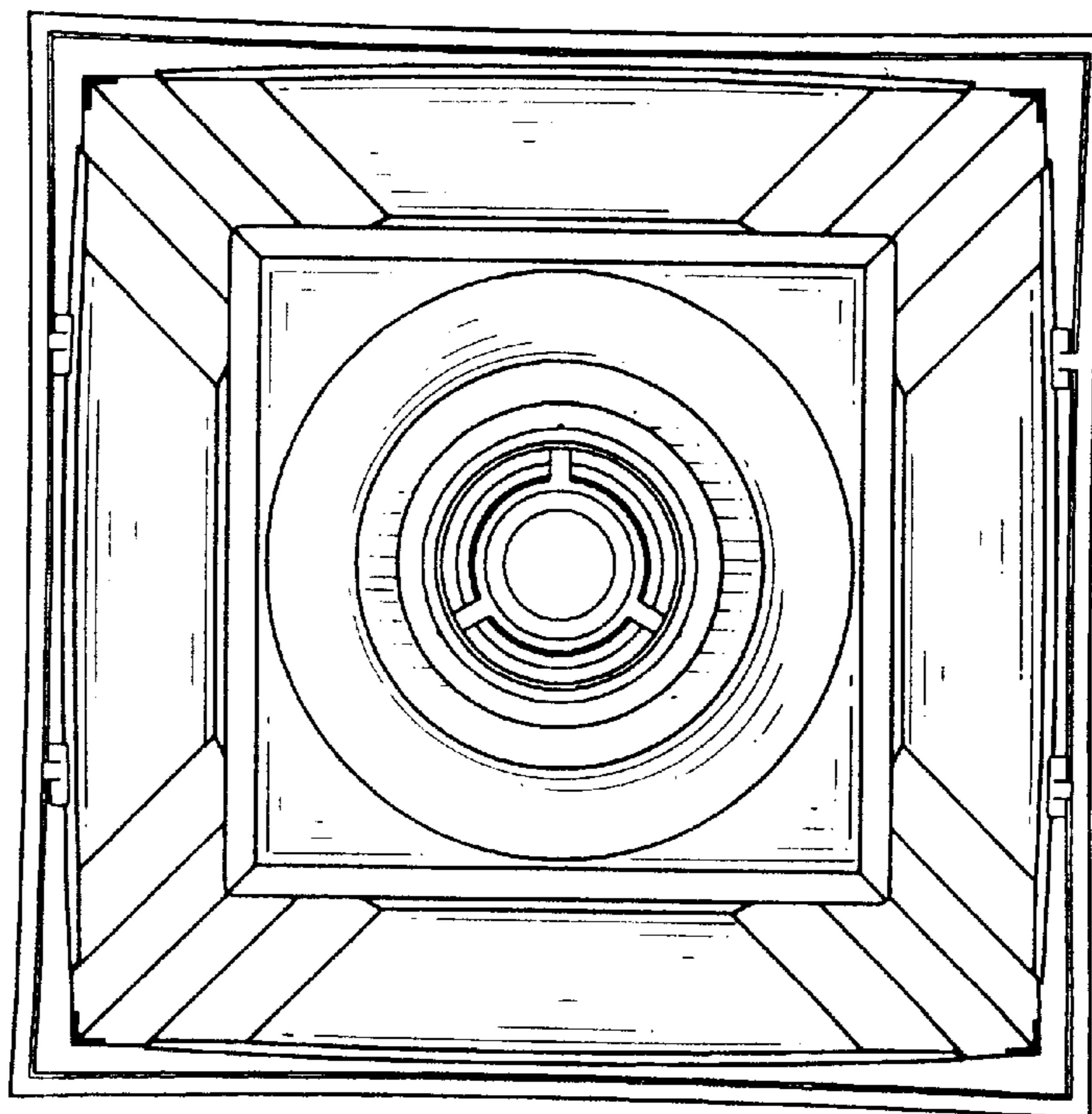


FIG. 6