



US00D469555S

(12) **United States Design Patent**
Hong

(10) **Patent No.:** **US D469,555 S**

(45) **Date of Patent:** **** Jan. 28, 2003**

(54) **TRAVEL READING LIGHT WITH FLASHLIGHT**

DESCRIPTION

(75) Inventor: **Chan Wai Hong**, New Territories (HK)

(73) Assignee: **Sunrich Manufactory Ltd.**, New Territories (HK)

(**) Term: **14 Years**

(21) Appl. No.: **29/141,978**

(22) Filed: **May 16, 2001**

(51) **LOC (7) Cl.** **26-02**

(52) **U.S. Cl.** **D26/38**

(58) **Field of Search** D26/37-50; 362/157,
362/162, 171, 178, 187, 189, 190, 191,
194, 195, 196, 197, 198, 199, 200, 202,
203, 204, 205, 206

(56) **References Cited**

U.S. PATENT DOCUMENTS

- D329,823 S * 9/1992 Francisco D26/38 X
- D397,468 S * 8/1998 Zeller D26/60
- D427,703 S * 7/2000 Chan D26/60
- D430,978 S * 8/2000 Sharrah D26/37

* cited by examiner

Primary Examiner—Susan J. Lucas

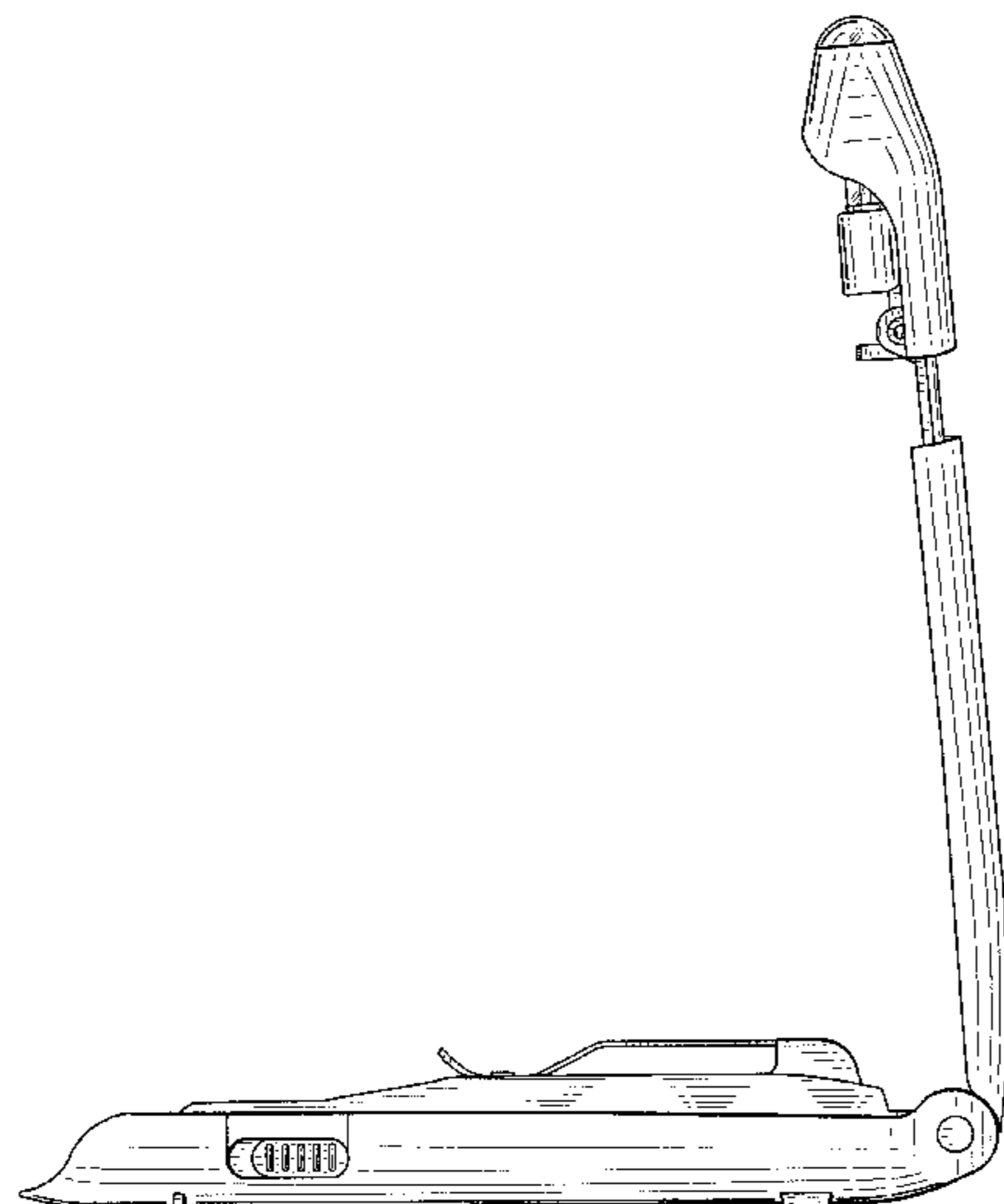
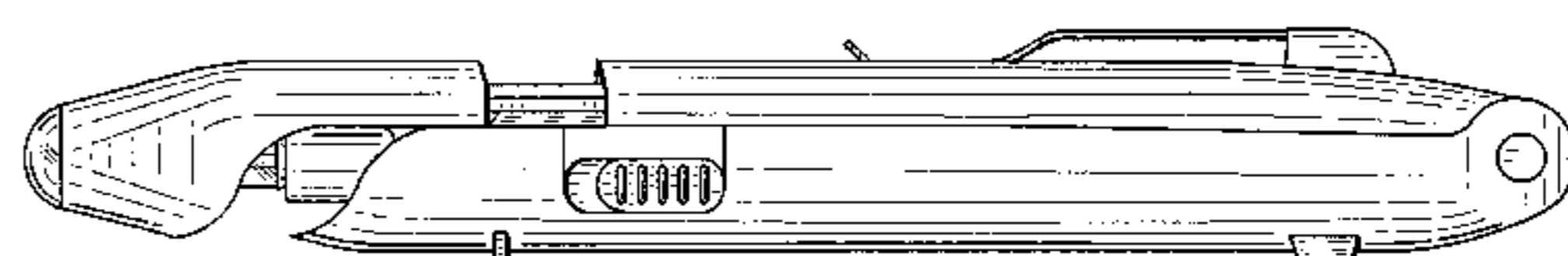
(74) *Attorney, Agent, or Firm*—William J. Sapone;
Coleman Sudol Sapone P.C.

(57) **CLAIM**

The ornamental design for a travel reading light with flashlight, as shown and described.

FIG. 1 is a top view of the travel reading light with flashlight showing my new design, closed for travel;
 FIG. 2 is a bottom view thereof;
 FIG. 3 is a front view thereof;
 FIG. 4 is a right side view thereof;
 FIG. 5 is a left side view thereof;
 FIG. 6 is a rear view thereof;
 FIG. 7 is a top view of the travel reading light with flashlight showing my new design, open for use as a flashlight;
 FIG. 8 is a bottom view thereof;
 FIG. 9 is a front view thereof;
 FIG. 10 is a right side view thereof;
 FIG. 11 is a left side view thereof;
 FIG. 12 is a rear view thereof;
 FIG. 13 is a top view of the travel reading light with flashlight showing my new design, having its arm extended for use as a reading light;
 FIG. 14 is a bottom view thereof;
 FIG. 15 is a front view thereof;
 FIG. 16 is a right side view thereof;
 FIG. 17 is a left side view thereof;
 FIG. 18 is a rear view thereof;
 FIG. 19 is a top view of the travel reading light with flashlight showing my new design, configured for use as a reading light;
 FIG. 20 is a bottom view thereof;
 FIG. 21 is a front view thereof;
 FIG. 22 is a right side view thereof;
 FIG. 23 is a left side view thereof; and,
 FIG. 24 is a rear view thereof.

1 Claim, 12 Drawing Sheets



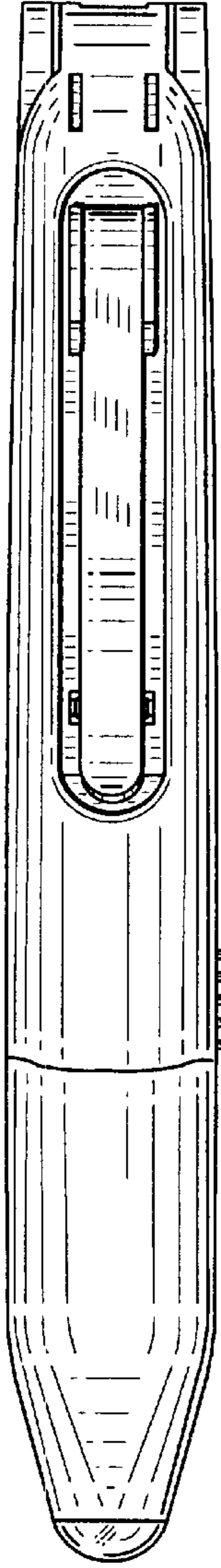


FIG. 1

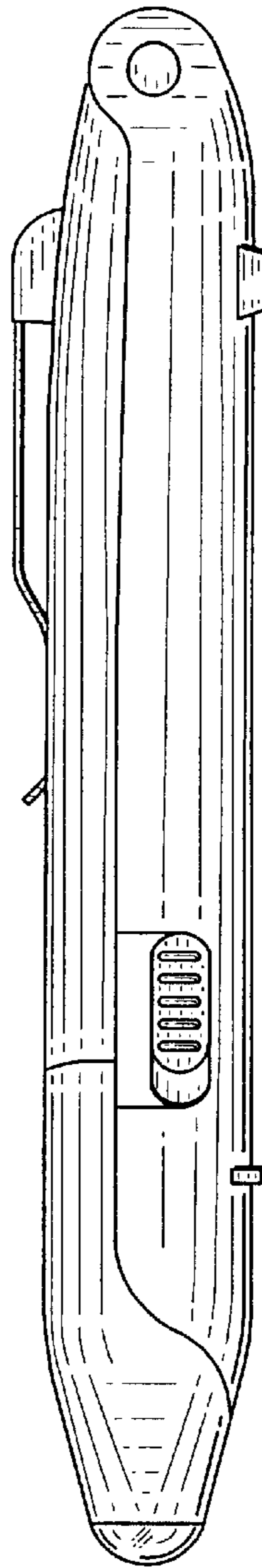


FIG. 3

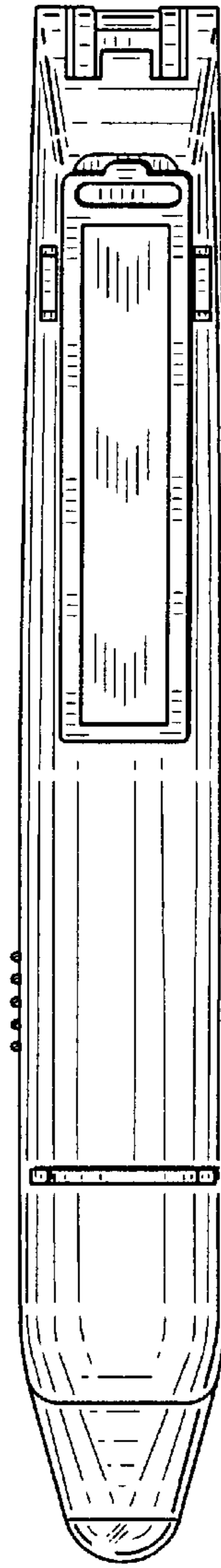


FIG. 2

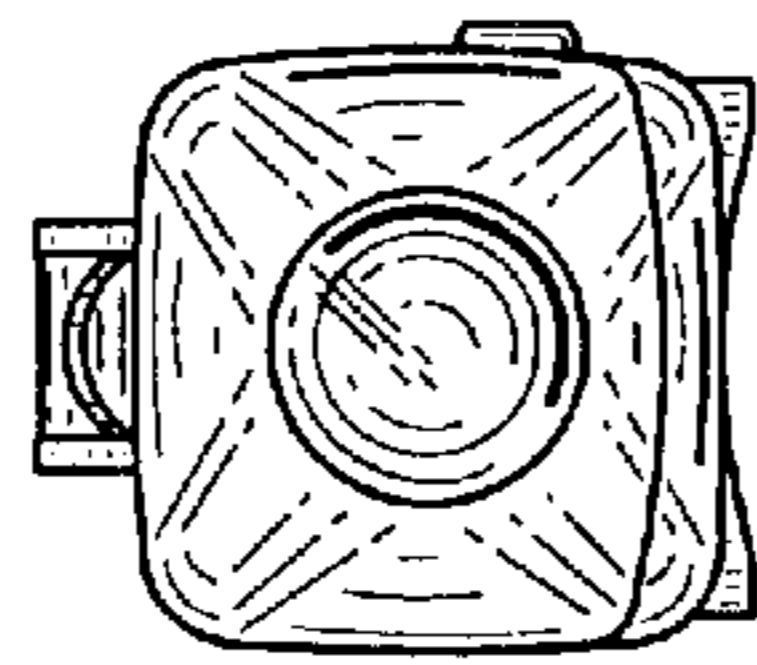


FIG. 4

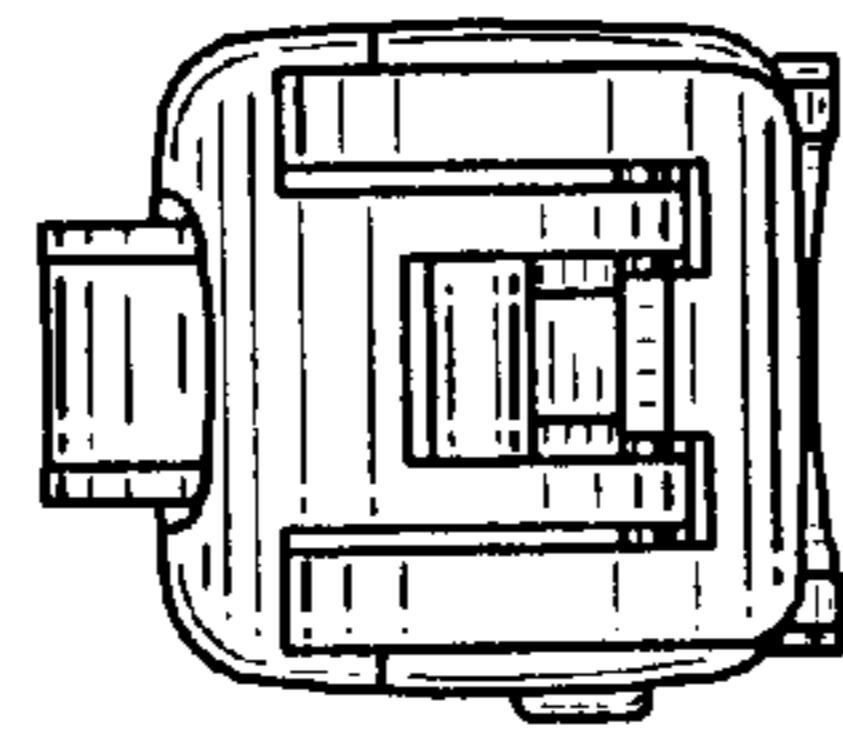


FIG. 5

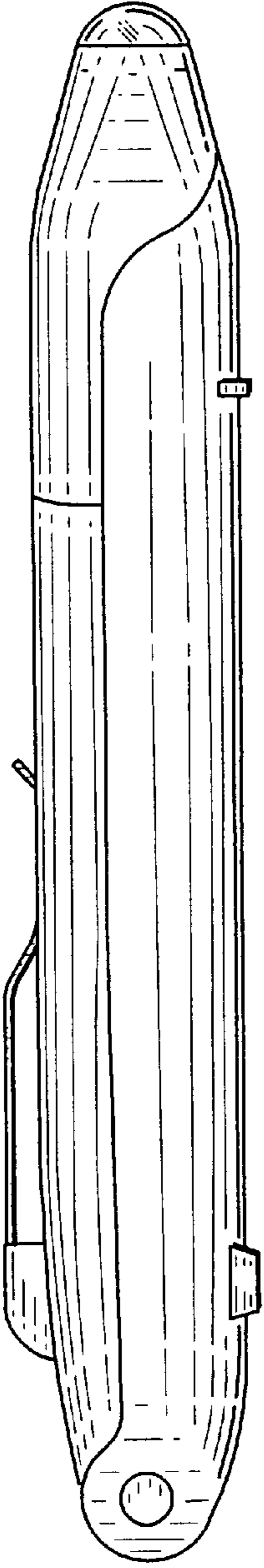


FIG. 6

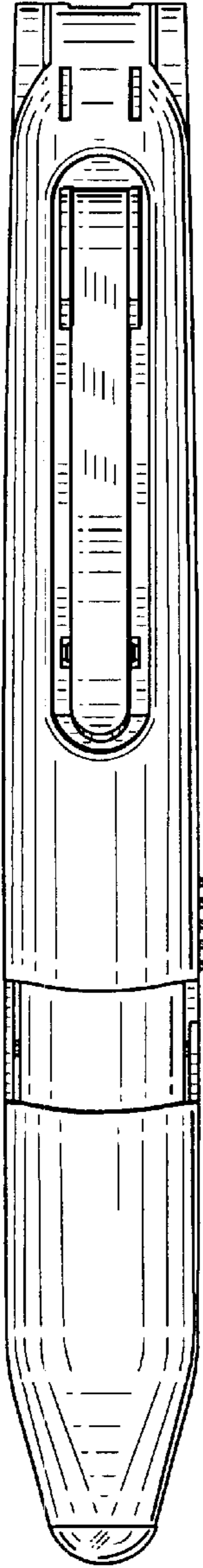


FIG. 7

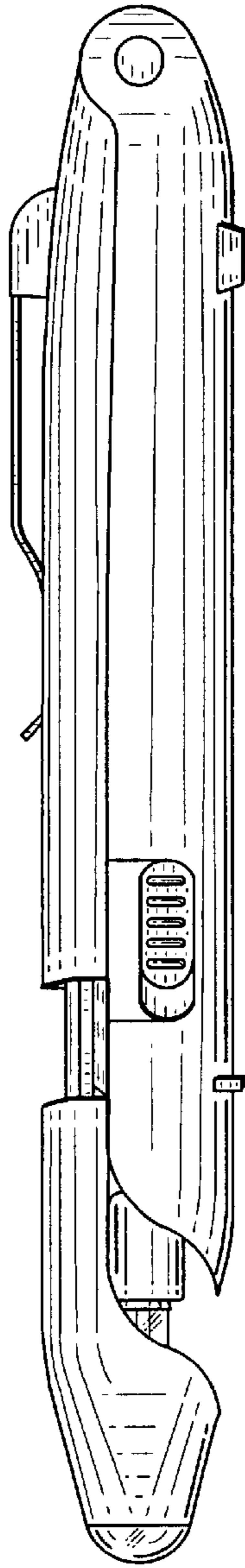


FIG. 9

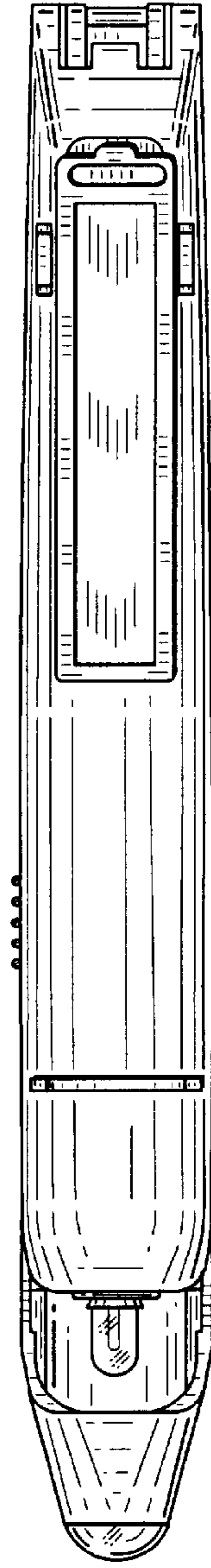


FIG. 8

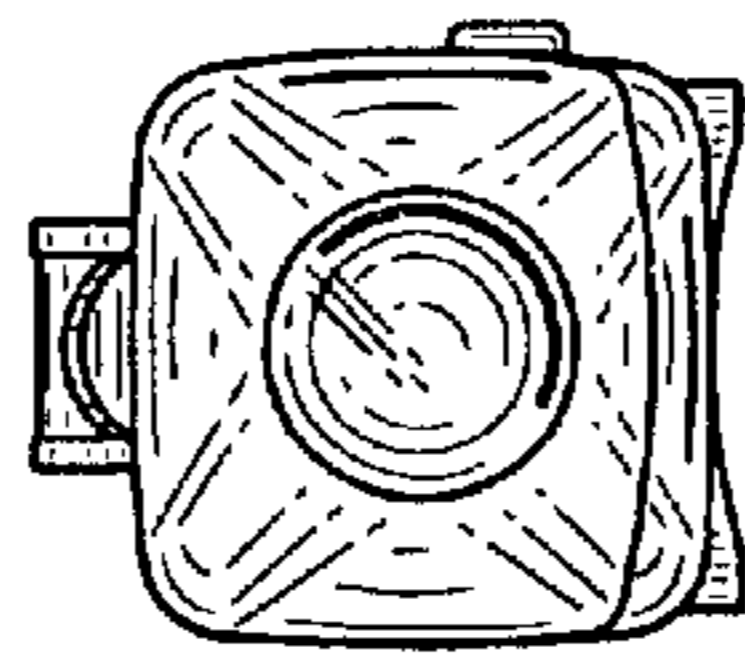


FIG. 10

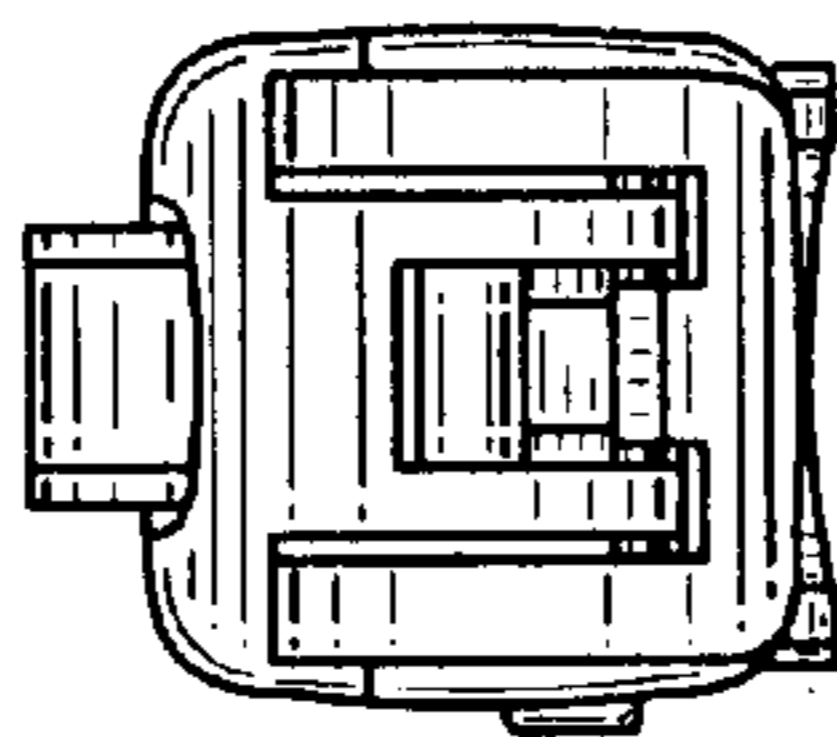
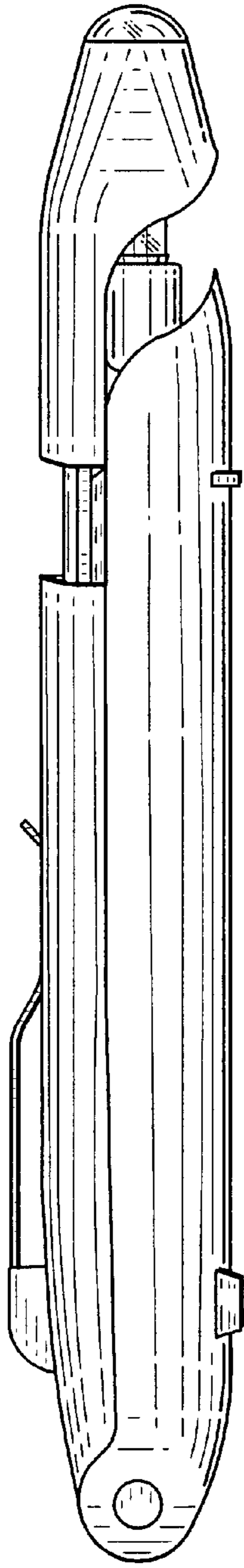


FIG. 12

FIG. 11

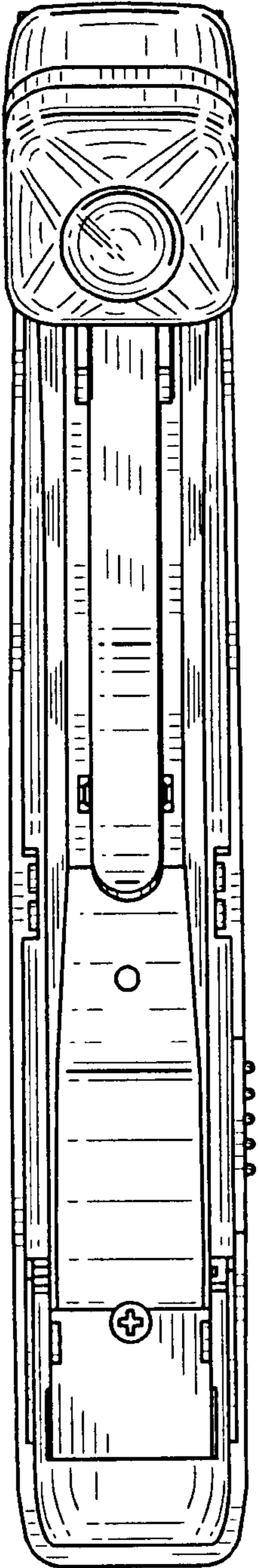


FIG. 13

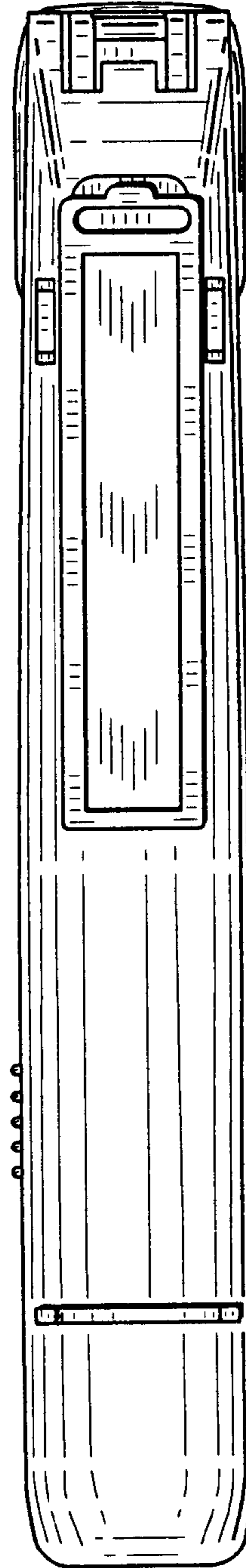


FIG. 14

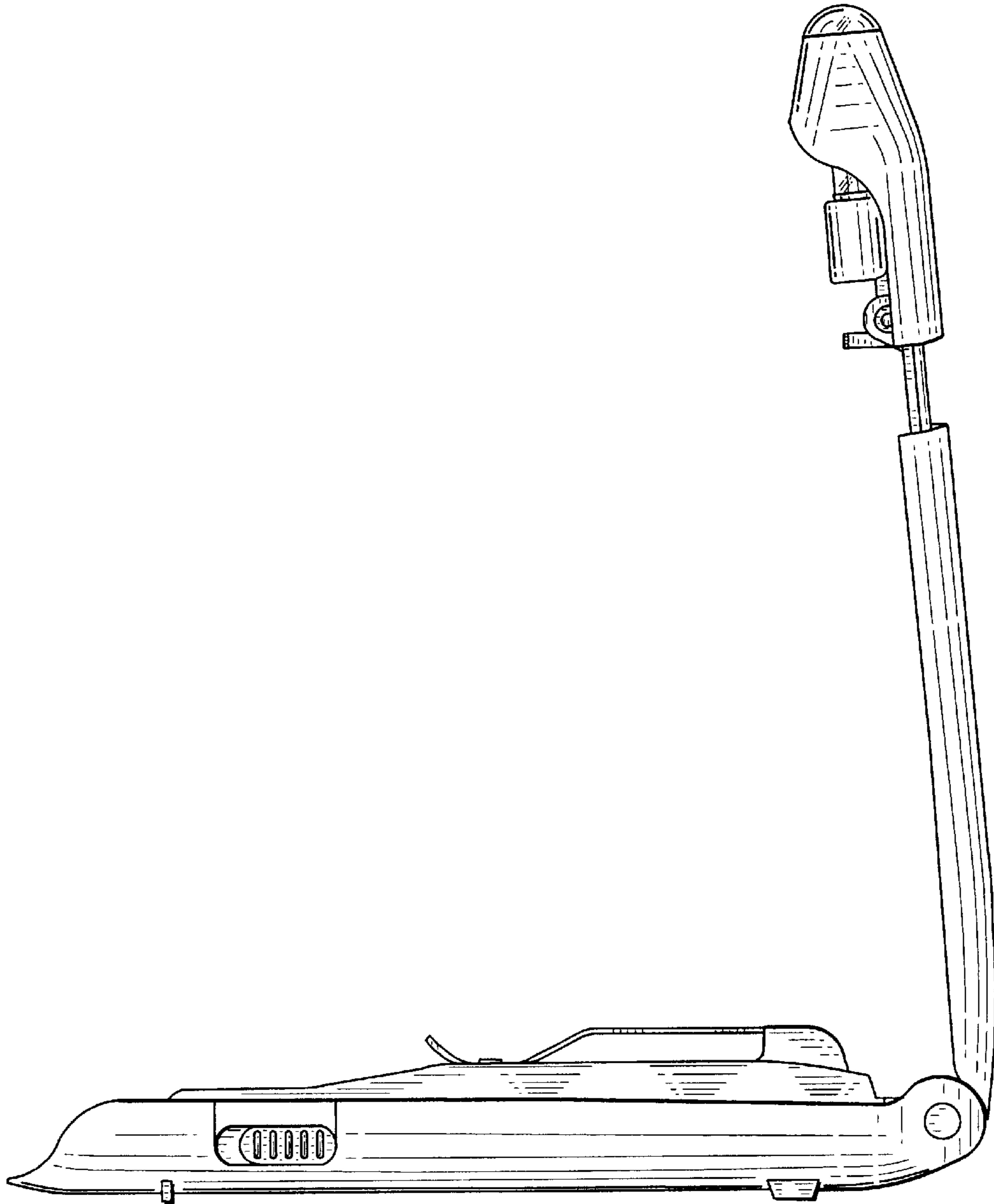


FIG. 15

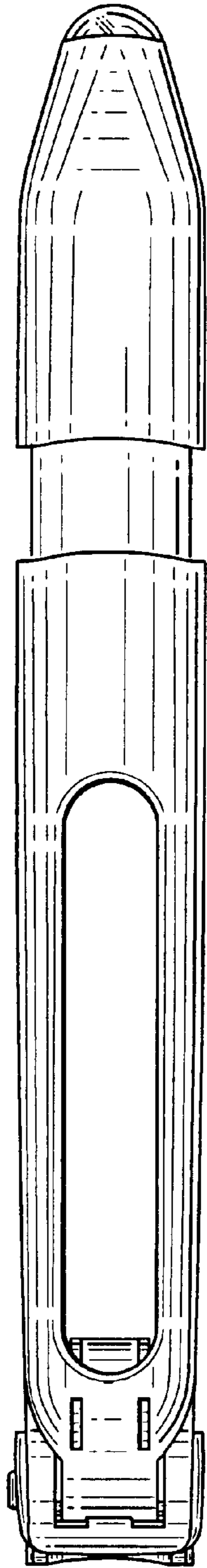


FIG. 17

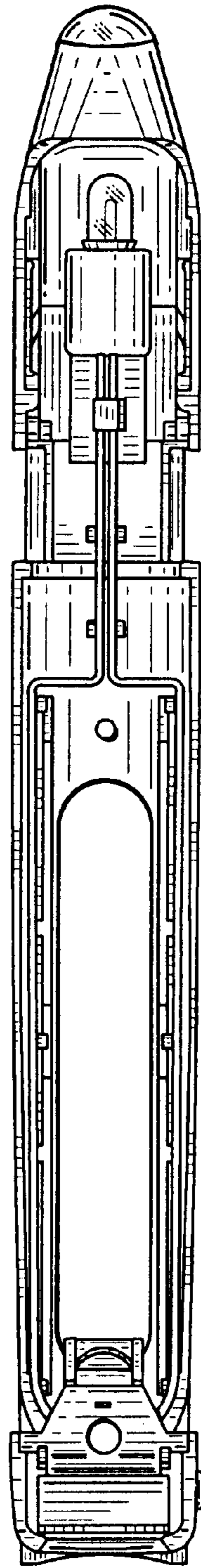


FIG. 16

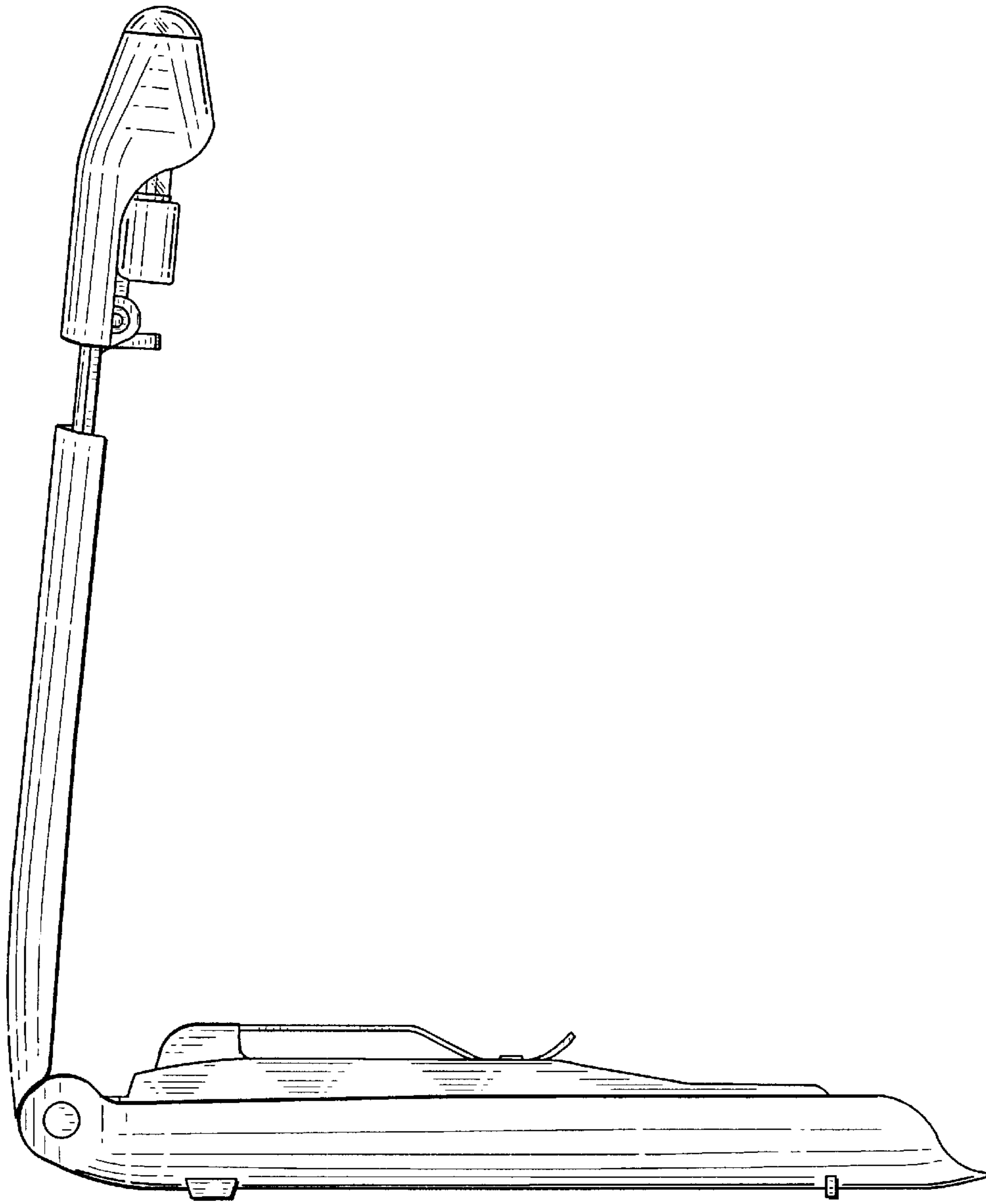


FIG. 18

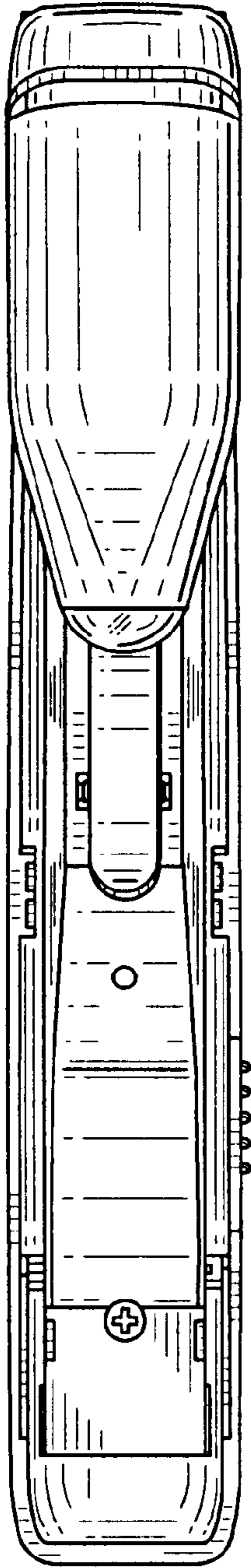


FIG. 19

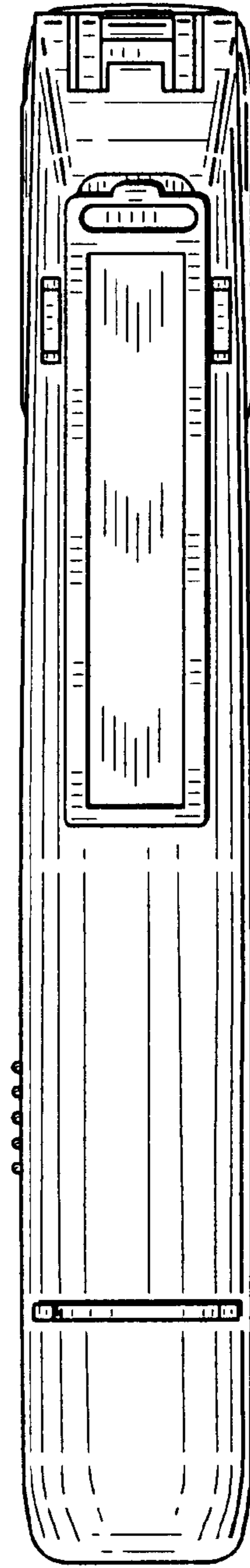


FIG. 20

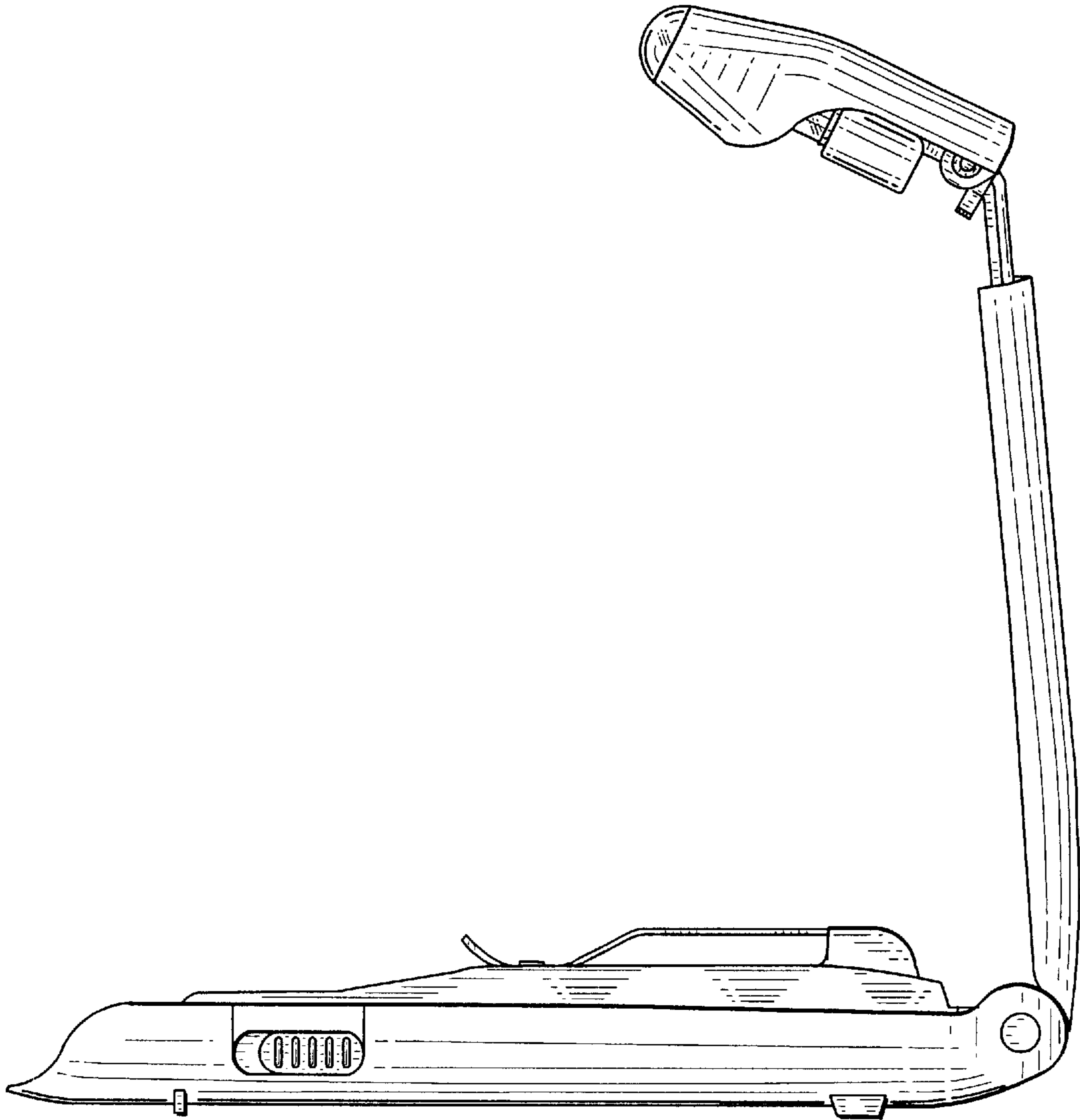


FIG. 21

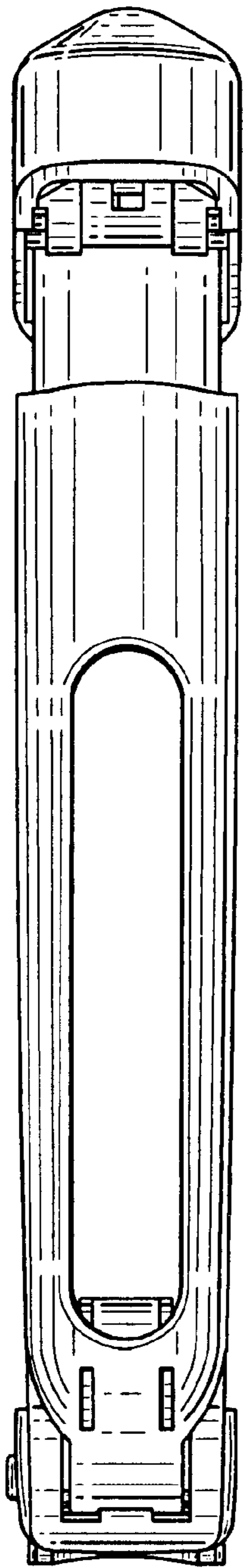


FIG. 23

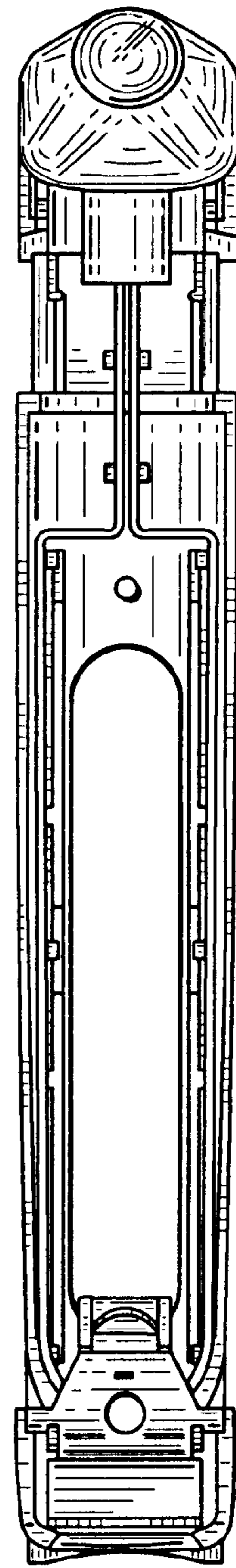


FIG. 22

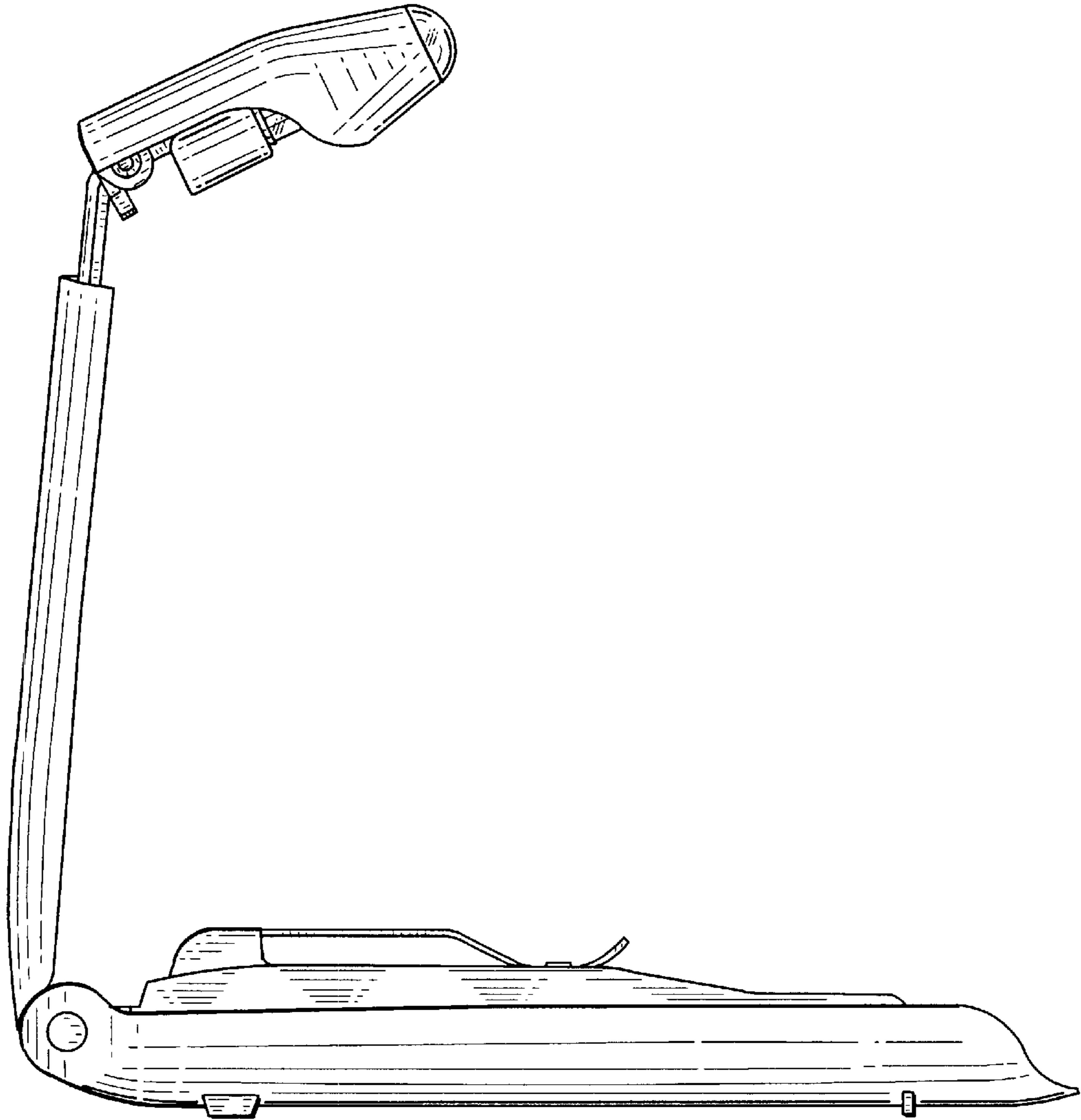


FIG. 24