



US00D469553S

(12) **United States Design Patent**  
**Yang**

(10) **Patent No.:** **US D469,553 S**

(45) **Date of Patent:** **\*\* Jan. 28, 2003**

(54) **VEHICULAR TAIL LIGHT**

(76) **Inventor:** **Milton Yang**, 427 Sec. 2, Wenhua Road, Panchiao, Taipei (TW)

(\*\*) **Term:** **14 Years**

(21) **Appl. No.:** **29/158,720**

(22) **Filed:** **Apr. 8, 2002**

(51) **LOC (7) Cl.** ..... **26-06**

(52) **U.S. Cl.** ..... **D26/28**

(58) **Field of Search** ..... D26/28-36; 362/61, 362/80, 81, 82, 83, 83.4, 267, 269, 275

(56) **References Cited**

**U.S. PATENT DOCUMENTS**

D448,098 S \* 9/2001 Horowitz ..... D26/28  
D457,975 S \* 5/2002 Horowitz ..... D26/28

\* cited by examiner

*Primary Examiner*—Marcus A. Jackson

(74) *Attorney, Agent, or Firm*—Stetina Brunda Garred & Brucker

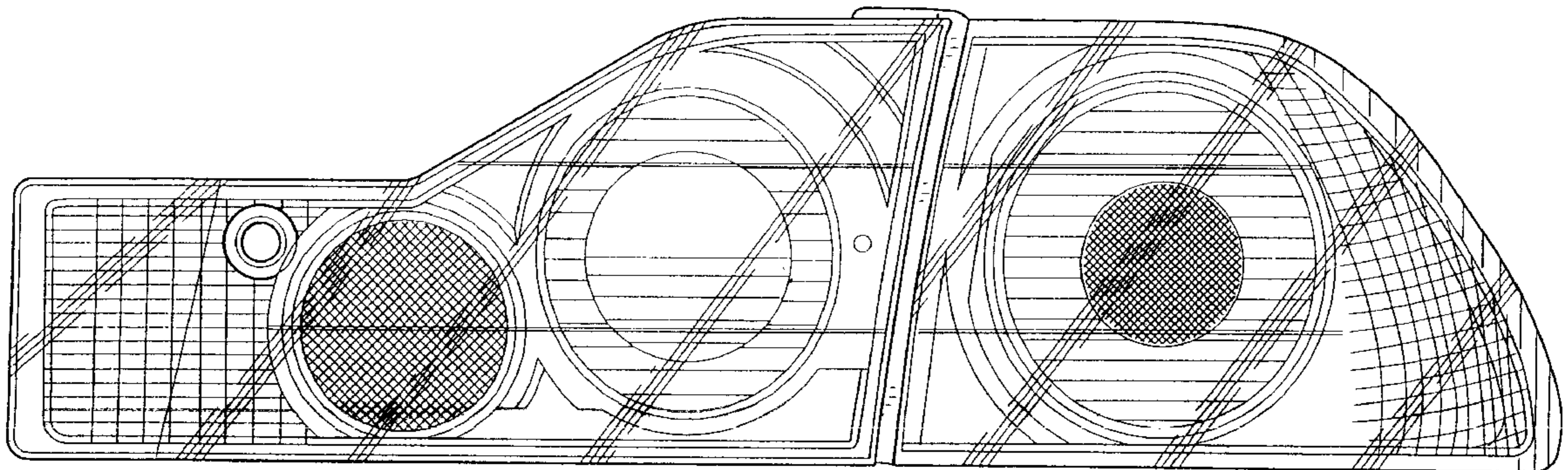
(57) **CLAIM**

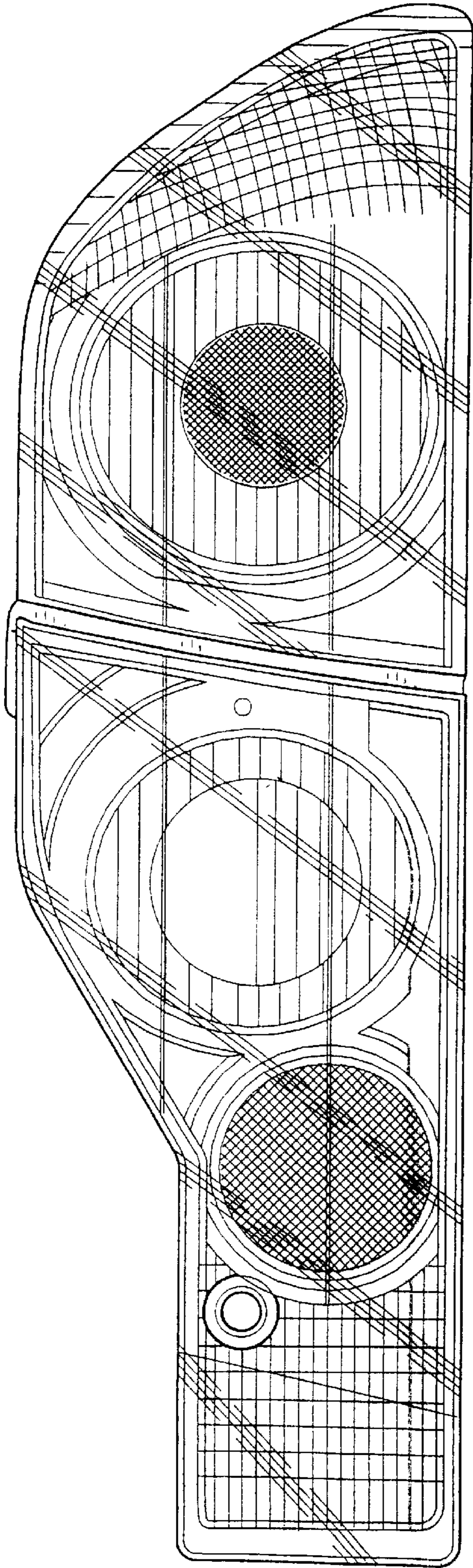
The ornamental design for a vehicular tail light, as shown and described.

**DESCRIPTION**

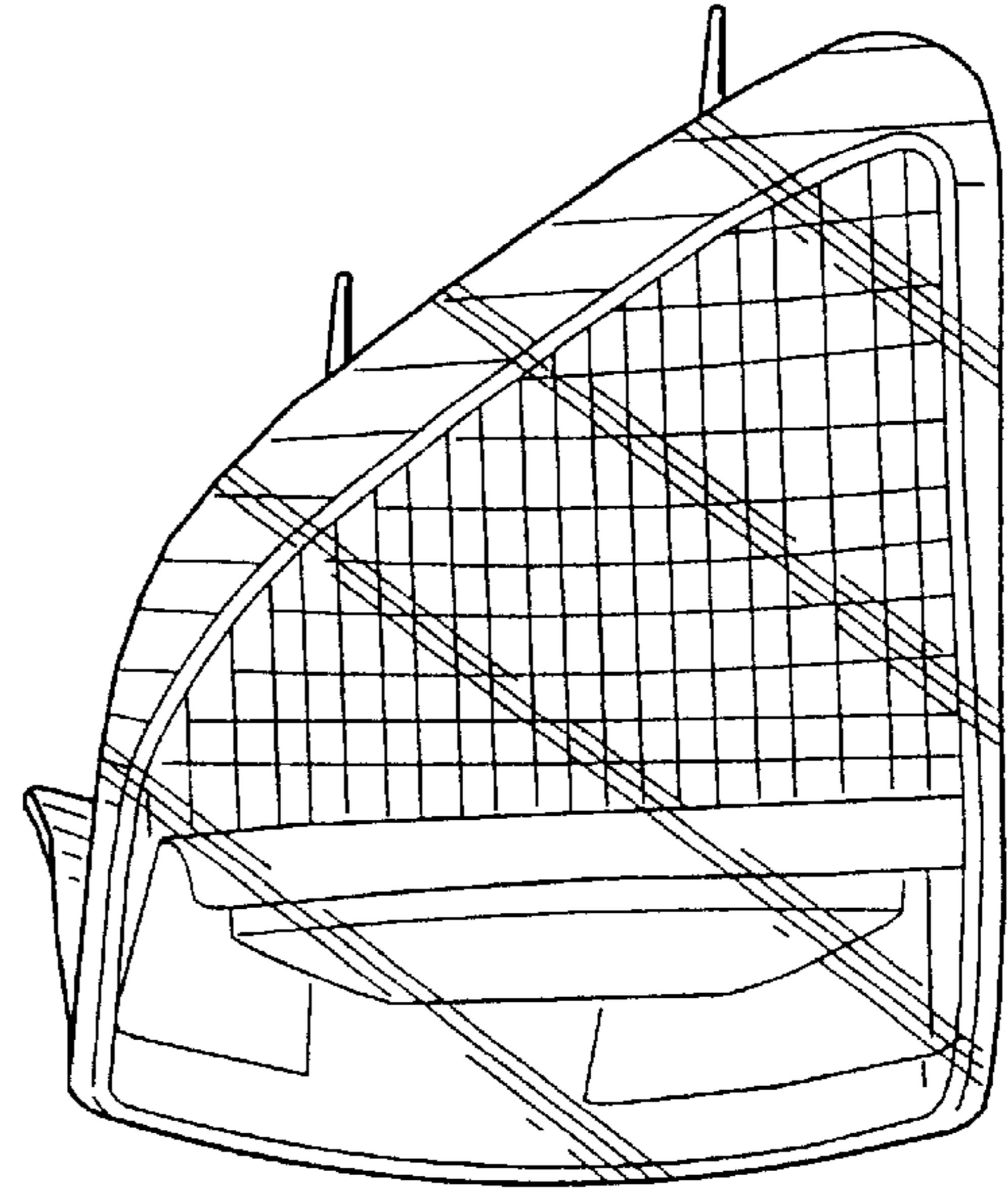
FIG. 1 is a front elevational view of the vehicular tail light of the present invention showing my new design; FIG. 2 is a left side elevational view thereof; FIG. 3 is a right side elevational view thereof; FIG. 4 is a top plan view thereof; and, FIG. 5 is a bottom plan view thereof.

**1 Claim, 2 Drawing Sheets**

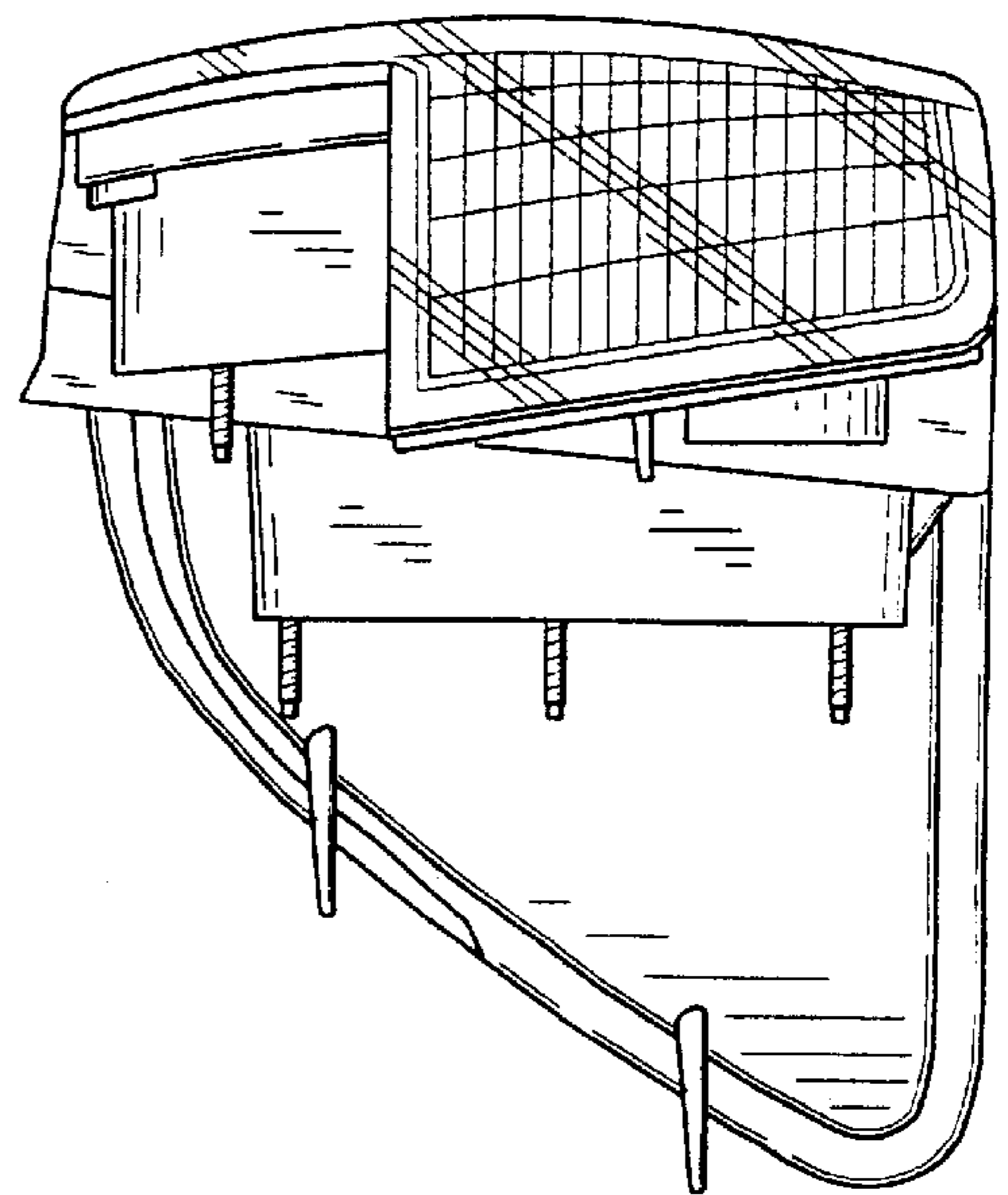




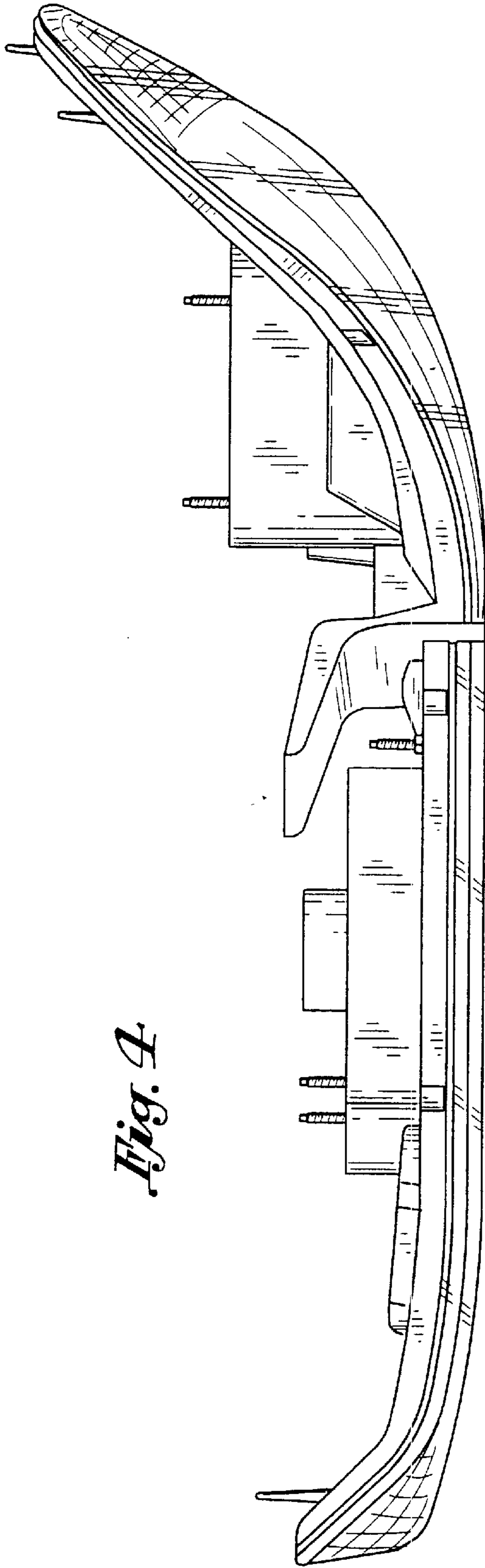
*Fig. 1*



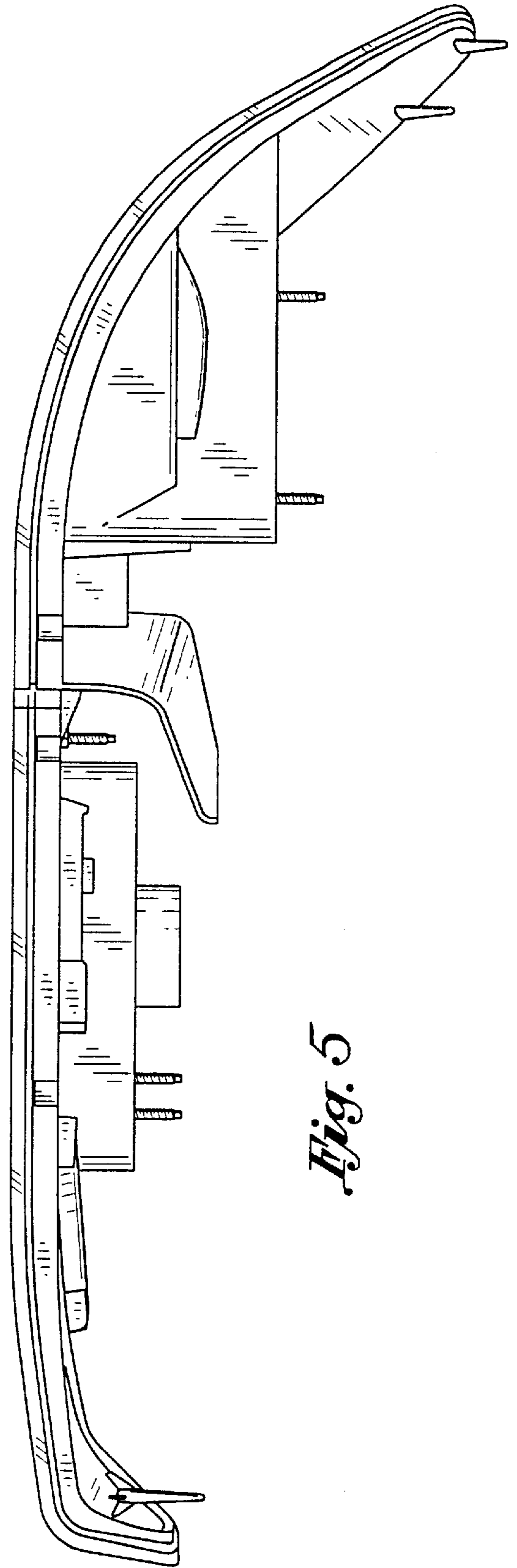
*Fig. 3*



*Fig. 2*



*Fig. 4*



*Fig. 5*