



US00D469551S

(12) **United States Design Patent**
Möbius

(10) **Patent No.:** **US D469,551 S**

(45) **Date of Patent:** **** Jan. 28, 2003**

(54) **SURFACE CONFIGURATION OF A LIGHT STRIP FOR A VEHICLE**

D439,183 S * 3/2001 Diller, Jr. D26/28

* cited by examiner

(75) **Inventor:** **Wolfgang Möbius**, Schwieberdingen (DE)

Primary Examiner—Marcus A. Jackson

(73) **Assignee:** **Dr. Ing. h.c.F. Porsche Aktiengesellschaft**, Stuttgart (DE)

(74) *Attorney, Agent, or Firm*—Crowell & Moring LLP

(**) **Term:** **14 Years**

(57) **CLAIM**

(21) **Appl. No.:** **29/156,839**

The ornamental design for a surface configuration of a light strip for a vehicle, as shown and described.

(22) **Filed:** **Mar. 11, 2002**

DESCRIPTION

(30) **Foreign Application Priority Data**

Sep. 10, 2001 (DE) 4 01 98 249

FIG. 1 is a front view of a surface configuration of a light strip for a vehicle according to my novel design; and,

(51) **LOC (7) Cl.** **26-06**

FIG. 2 is a perspective view of the surface configuration of a light strip for a vehicle according to my novel design.

(52) **U.S. Cl.** **D26/28**

(58) **Field of Search** D26/28-36; 362/61, 362/74, 80, 80.1, 83, 147, 432

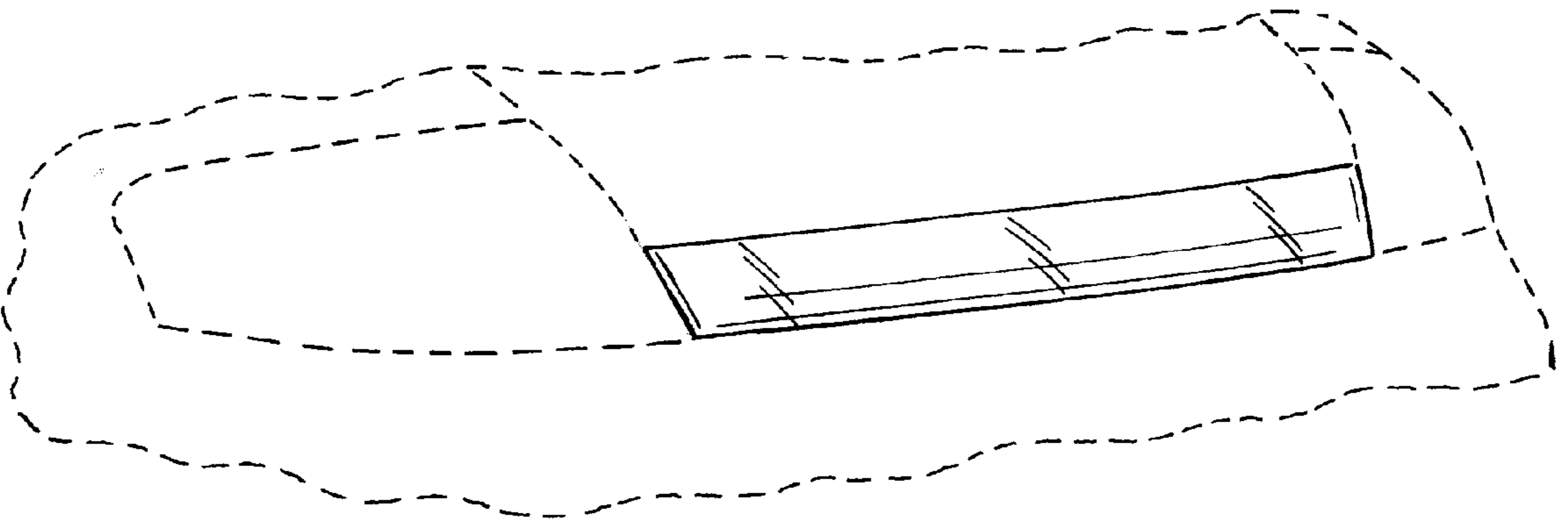
The dash lines included depict environment and are not part of the claimed design. Also enclosed is a photograph of an embodiment of my invention.

(56) **References Cited**

U.S. PATENT DOCUMENTS

D343,915 S * 2/1994 Baader et al. D26/28

1 Claim, 1 Drawing Sheet



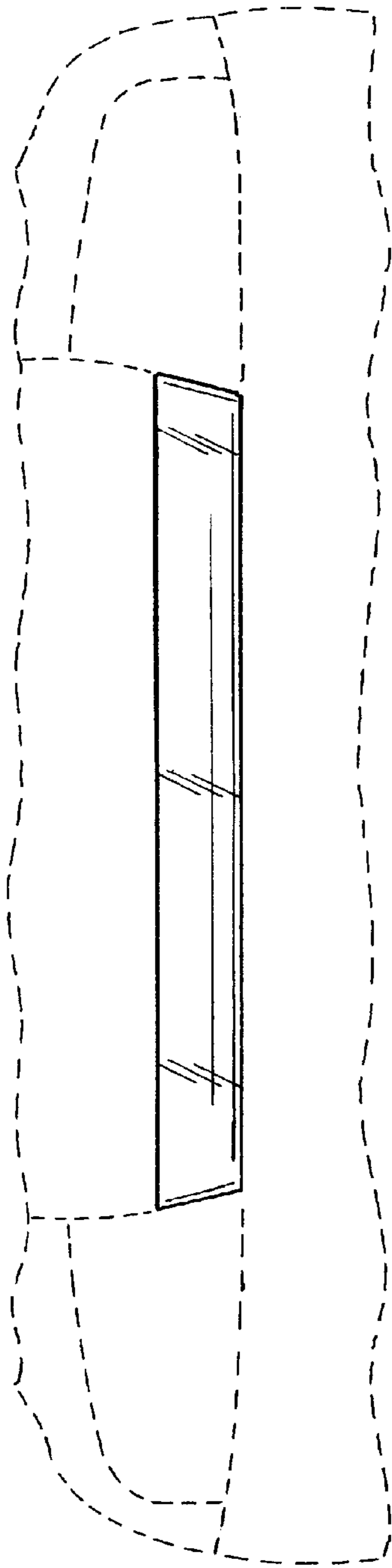


FIG. 1

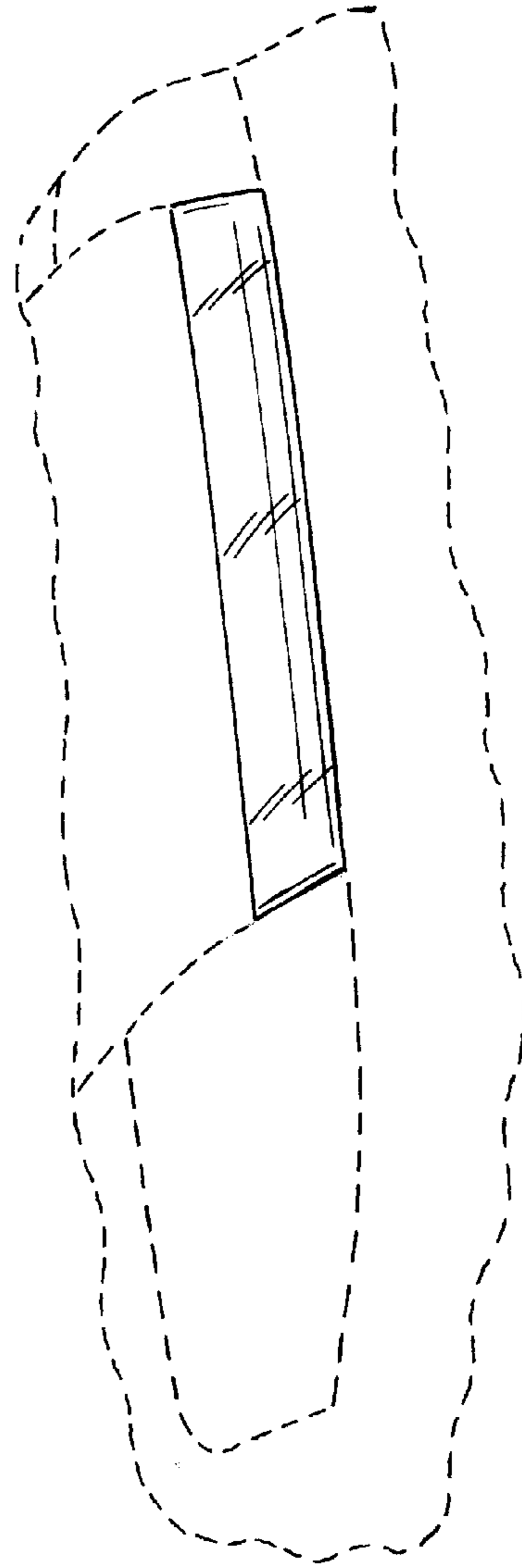


FIG. 2