



US00D469550S

(12) **United States Design Patent**  
**Moeller**

(10) **Patent No.:** **US D469,550 S**

(45) **Date of Patent:** **\*\* Jan. 28, 2003**

(54) **FLOATING CANDLE**

(75) **Inventor:** **Donald R. Moeller**, 1325 Willowbrook,  
Florissant, MO (US) 63033

(73) **Assignee:** **Donald R. Moeller**, Florissant, MO  
(US)

(\*\*) **Term:** **14 Years**

(21) **Appl. No.:** **29/158,757**

(22) **Filed:** **Apr. 9, 2002**

(51) **LOC (7) Cl.** ..... **26-01**

(52) **U.S. Cl.** ..... **D26/9**

(58) **Field of Search** ..... D26/6, 7, 9, 10,  
D26/11; 431/291, 288, 295; 362/161-163

(56) **References Cited**

**U.S. PATENT DOCUMENTS**

D241,468 S \* 9/1976 Green ..... D26/11

D262,999 S \* 2/1982 Spencer ..... D26/11

4,524,408 A \* 6/1985 Minera ..... 431/163

D281,911 S \* 12/1985 Williams ..... D26/11

D322,487 S \* 12/1991 Kazanowski ..... D26/10

5,101,328 A \* 3/1992 Hai ..... 362/163

\* cited by examiner

*Primary Examiner*—Robin V. Taylor

(57) **CLAIM**

The ornamental design for a floating candle, as shown.

**DESCRIPTION**

FIG. 1 is a front view.

FIG. 2 is a left side view; and,

FIG. 3 is a perspective view.

**1 Claim, 3 Drawing Sheets**

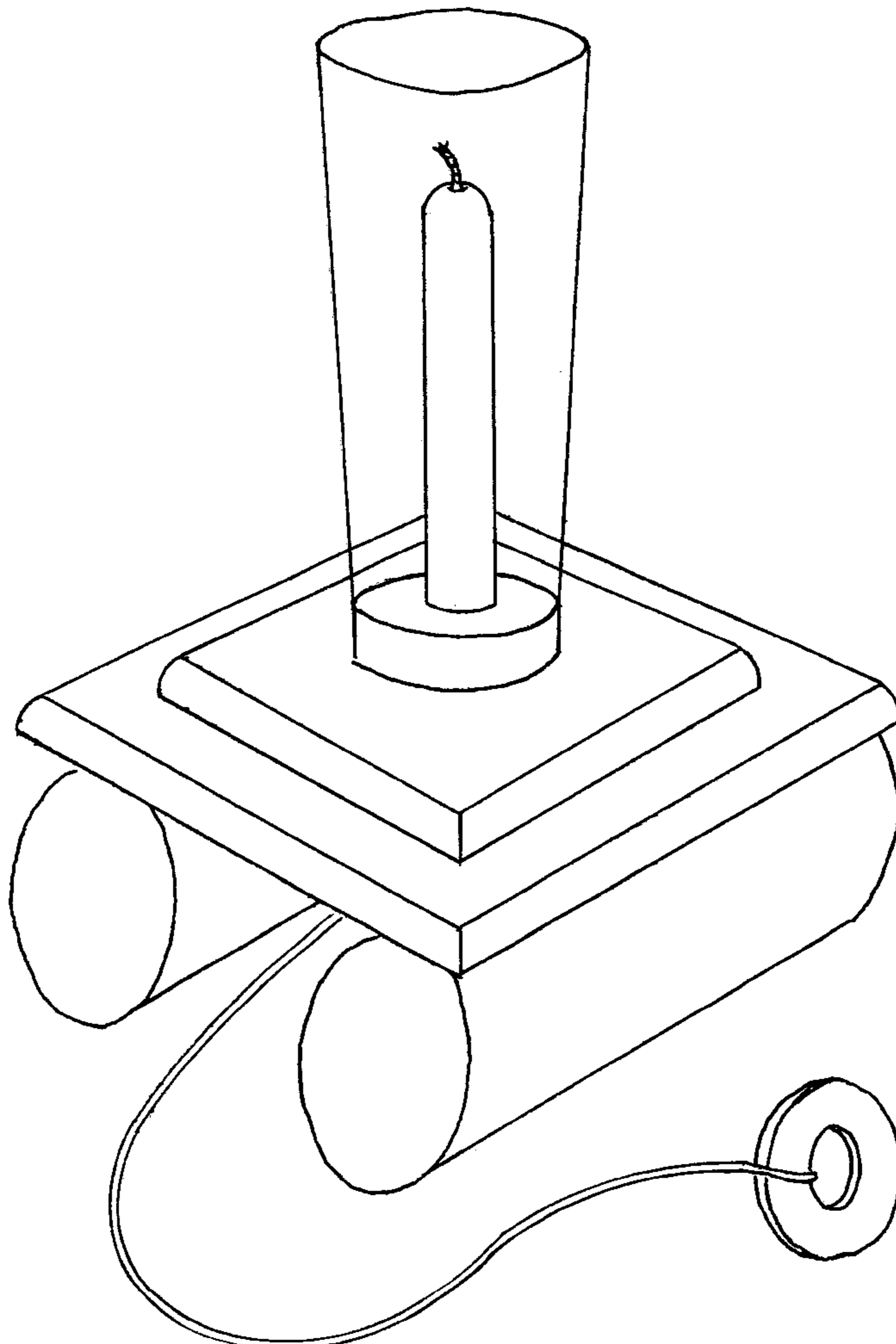


FIG. 1

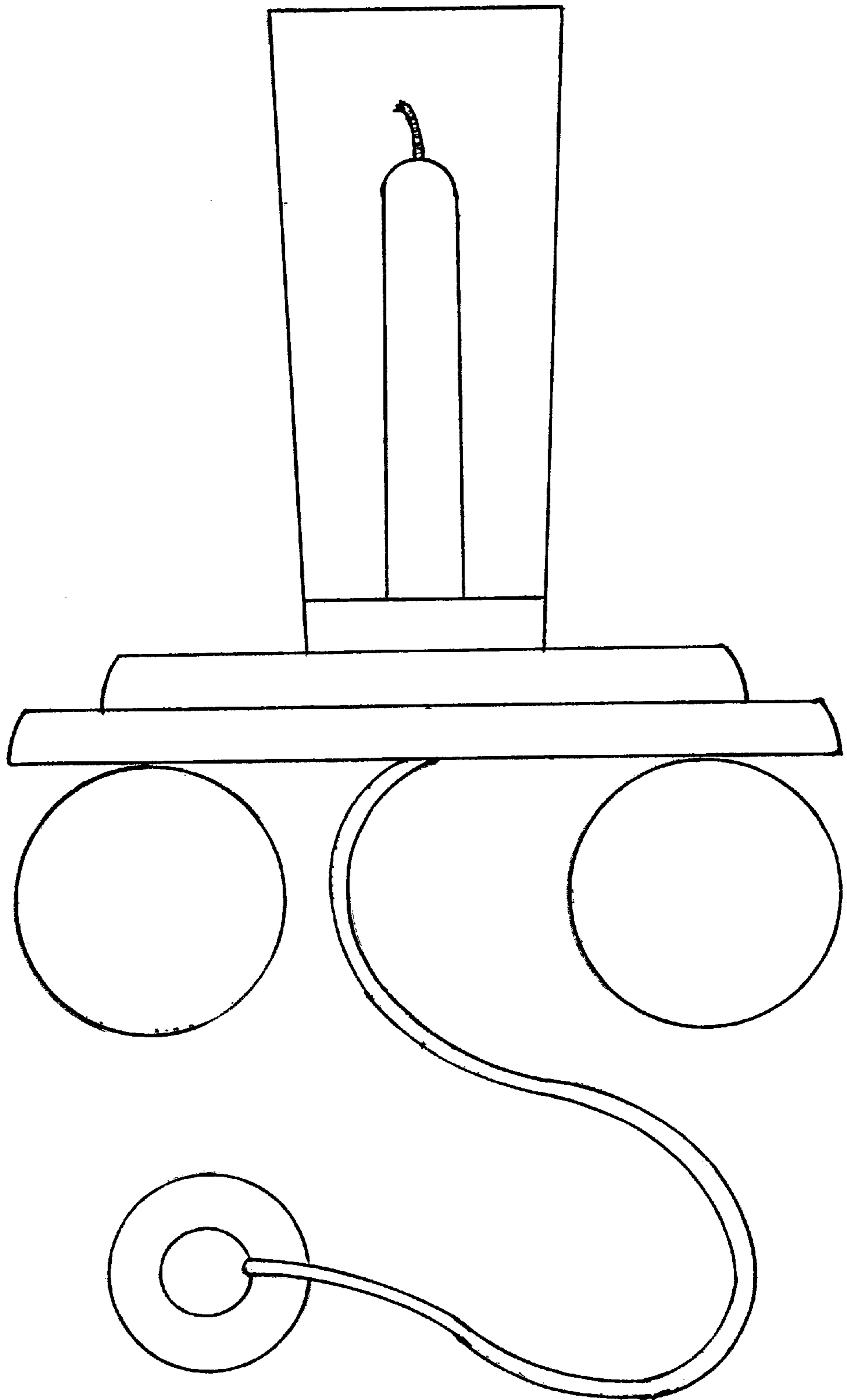


FIG. 2

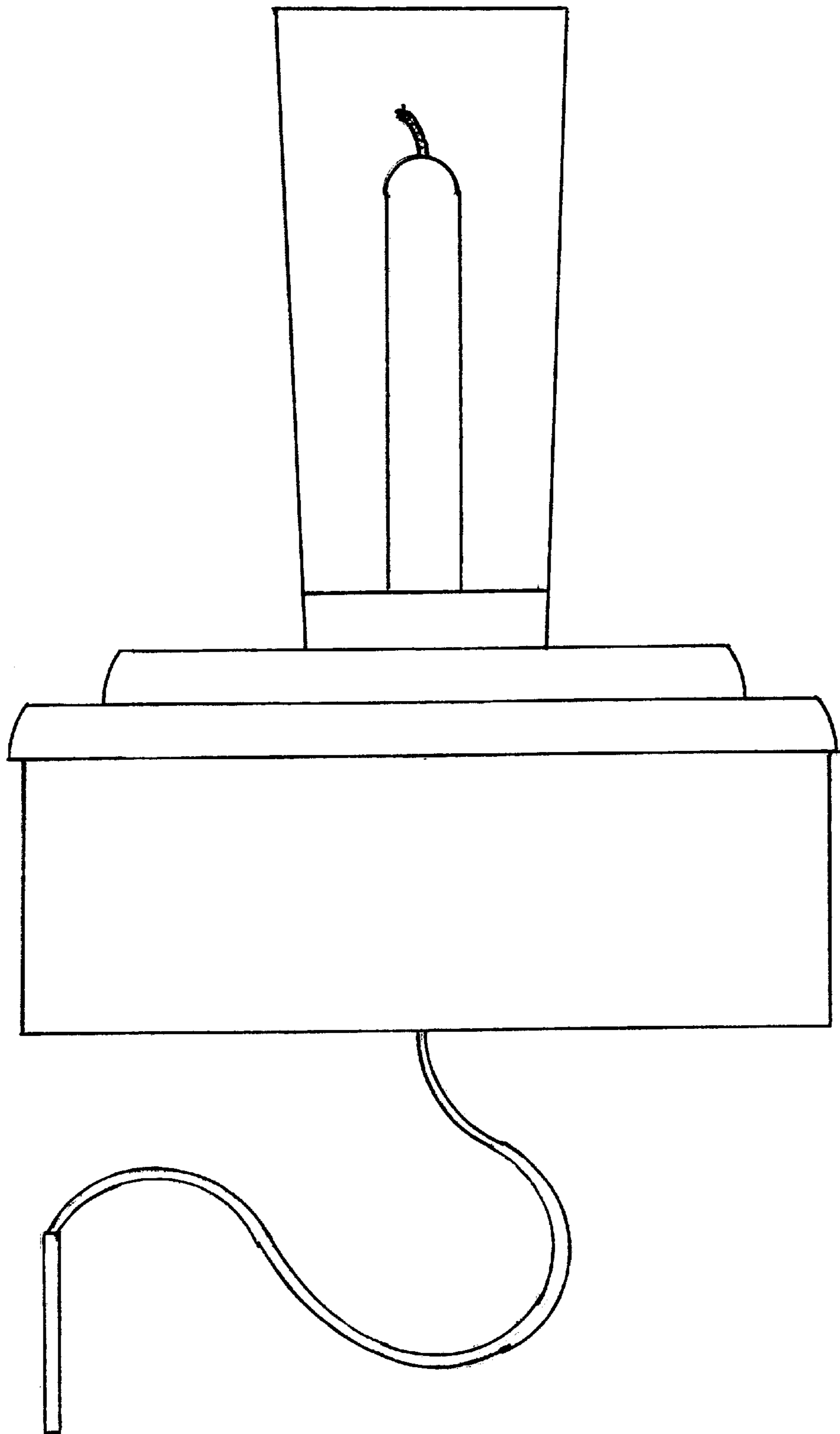


FIG. 3

