



US00D469530S

(12) **United States Design Patent**  
**Gomez**

(10) **Patent No.:** **US D469,530 S**

(45) **Date of Patent:** **\*\* Jan. 28, 2003**

(54) **PATIENT MOUNTED I/V PROTECTOR ASSEMBLY**

6,042,568 A \* 3/2000 Gomez ..... 604/179

\* cited by examiner

(76) **Inventor:** **Roy C. Gomez**, 537 Linwood Dr.,  
Richlands, VA (US) 24641

*Primary Examiner*—Ian Simmons

(74) *Attorney, Agent, or Firm*—Steptoe & Johnson PLLC

(\*\*) **Term:** **14 Years**

(57) **CLAIM**

(21) **Appl. No.:** **29/152,357**

The ornamental design for the patient mounted I/V protector assembly, as shown and described.

(22) **Filed:** **Dec. 18, 2001**

**DESCRIPTION**

**Related U.S. Application Data**

(63) Continuation-in-part of application No. 09/862,638, filed on May 22, 2001.

(51) **LOC (7) Cl.** ..... **24-02**

(52) **U.S. Cl.** ..... **D24/130; D24/128**

(58) **Field of Search** ..... D24/130, 128;  
604/179, 174, 180; 128/DIG. 6, DIG. 26,  
877, 888

FIG. 1 is a perspective view of the patient mounted I/V protector assembly showing my new design;

FIG. 2 is a perspective view showing the pivotally mounted top cover portion in an open condition;

FIG. 3 is a front elevational view thereof;

FIG. 4 is a rear elevational view thereof;

FIG. 5 is a left side elevational view thereof (the right side elevational view thereof being an identical mirror image); and,

FIG. 6 is a top plan view thereof.

The appearance of the bottom surface thereof hereby is disclaimed.

The broken line showing is for illustrative purposes only and forms no part of the claimed design.

(56) **References Cited**

**U.S. PATENT DOCUMENTS**

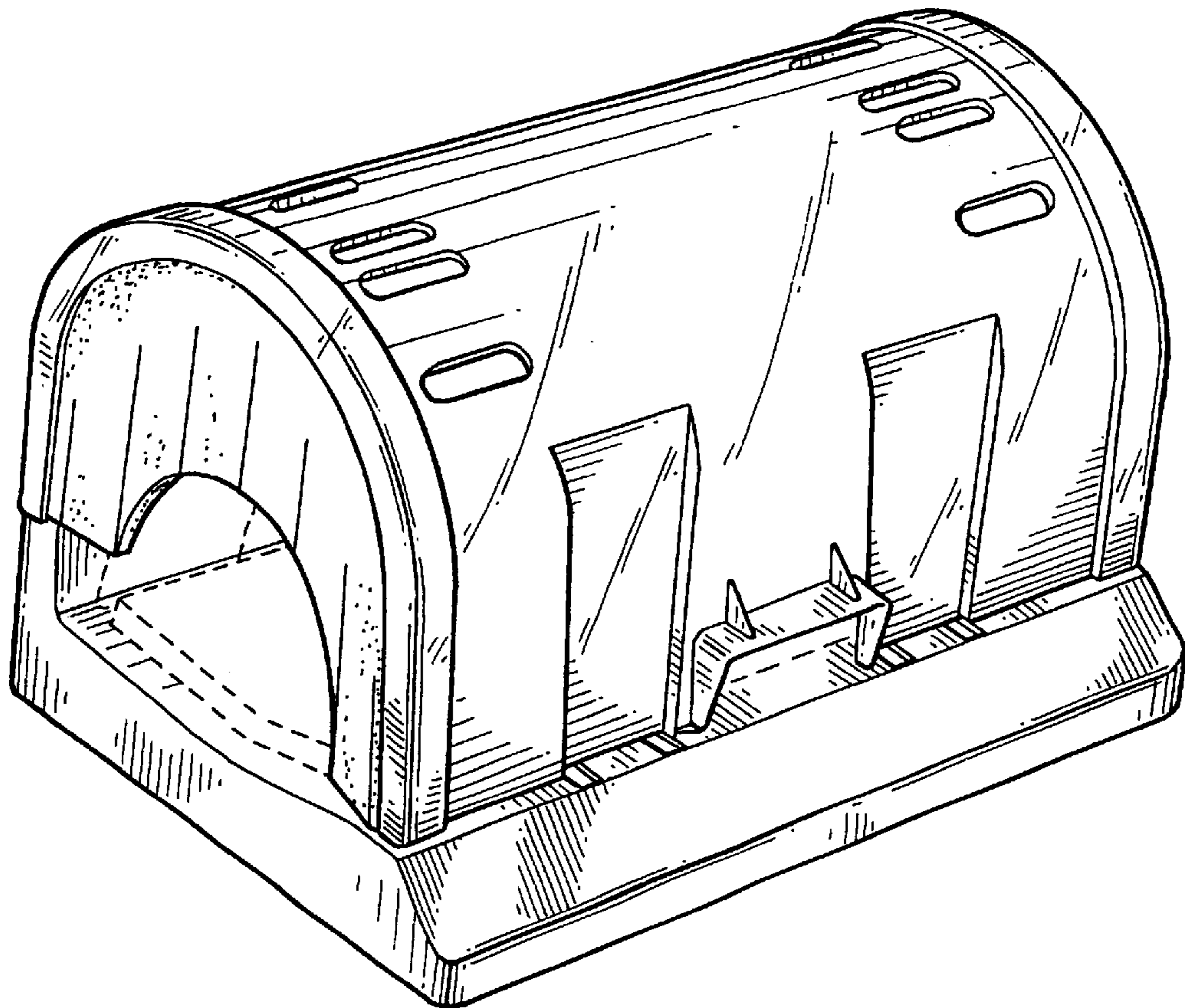
4,870,976 A \* 10/1989 Denny ..... 128/877

4,919,150 A \* 4/1990 Grant ..... 128/877

5,018,534 A \* 5/1991 Grant ..... 128/DIG. 6

5,339,834 A \* 8/1994 Marcelli ..... 128/877

**1 Claim, 4 Drawing Sheets**



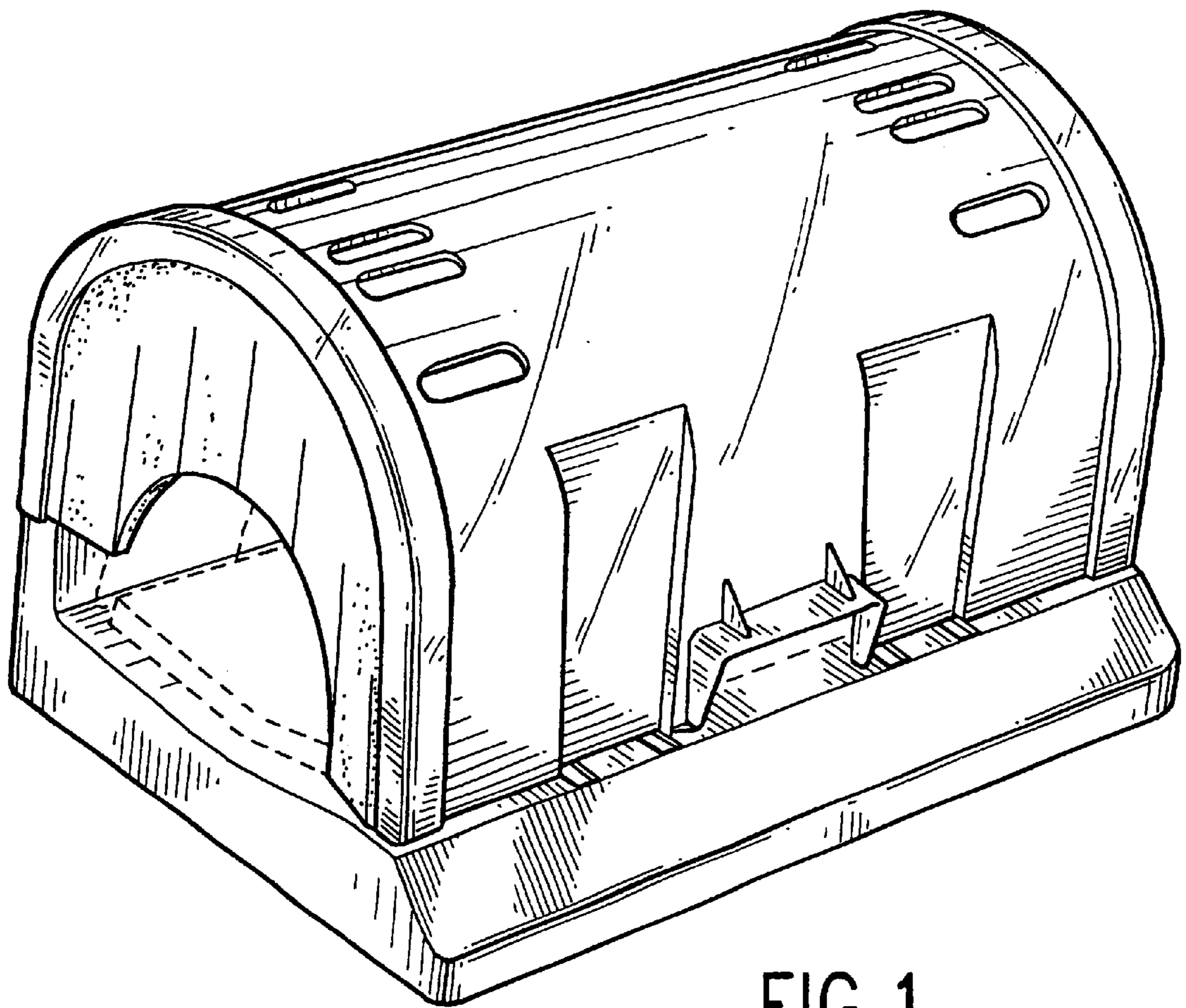


FIG. 1

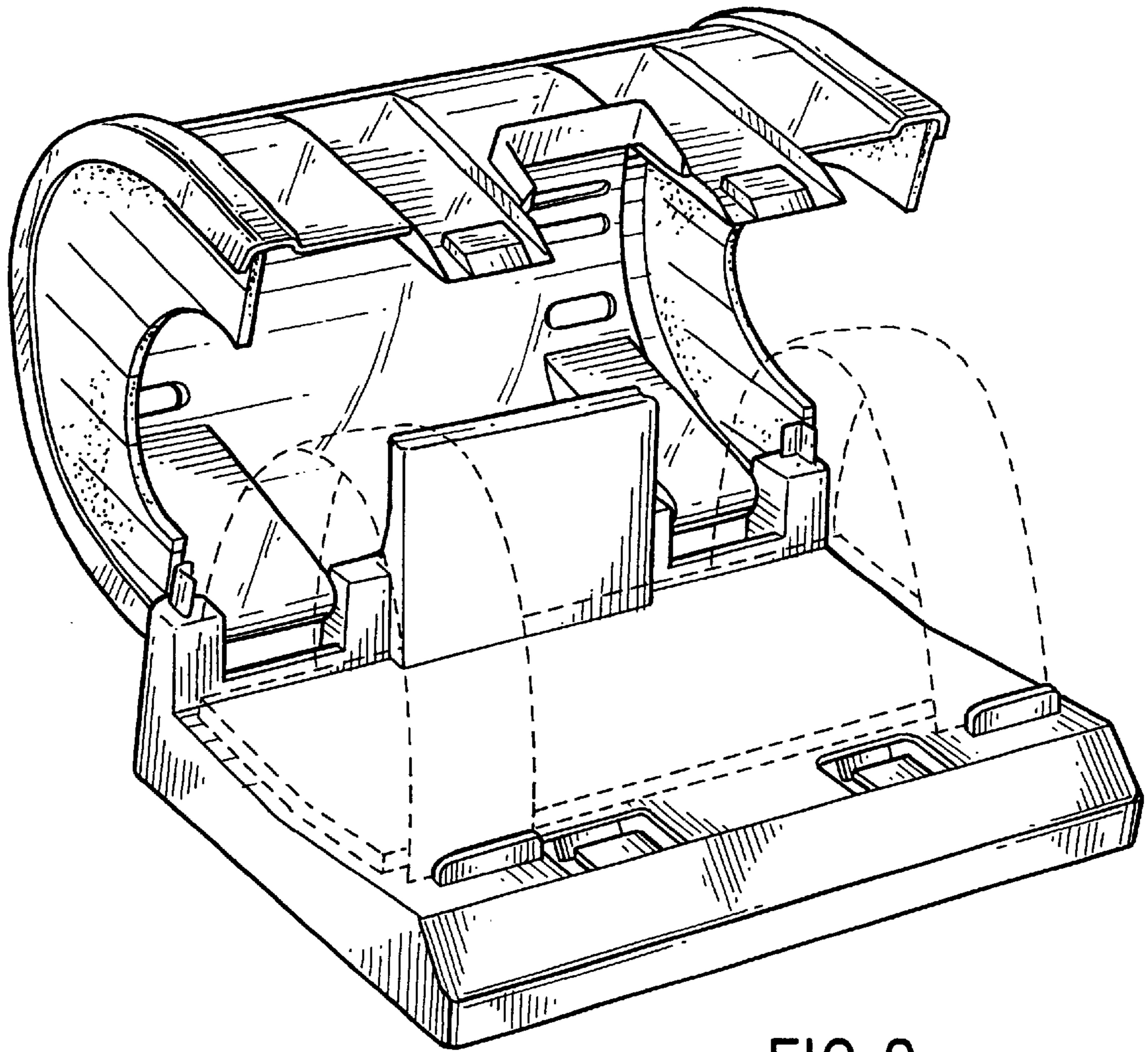


FIG.2

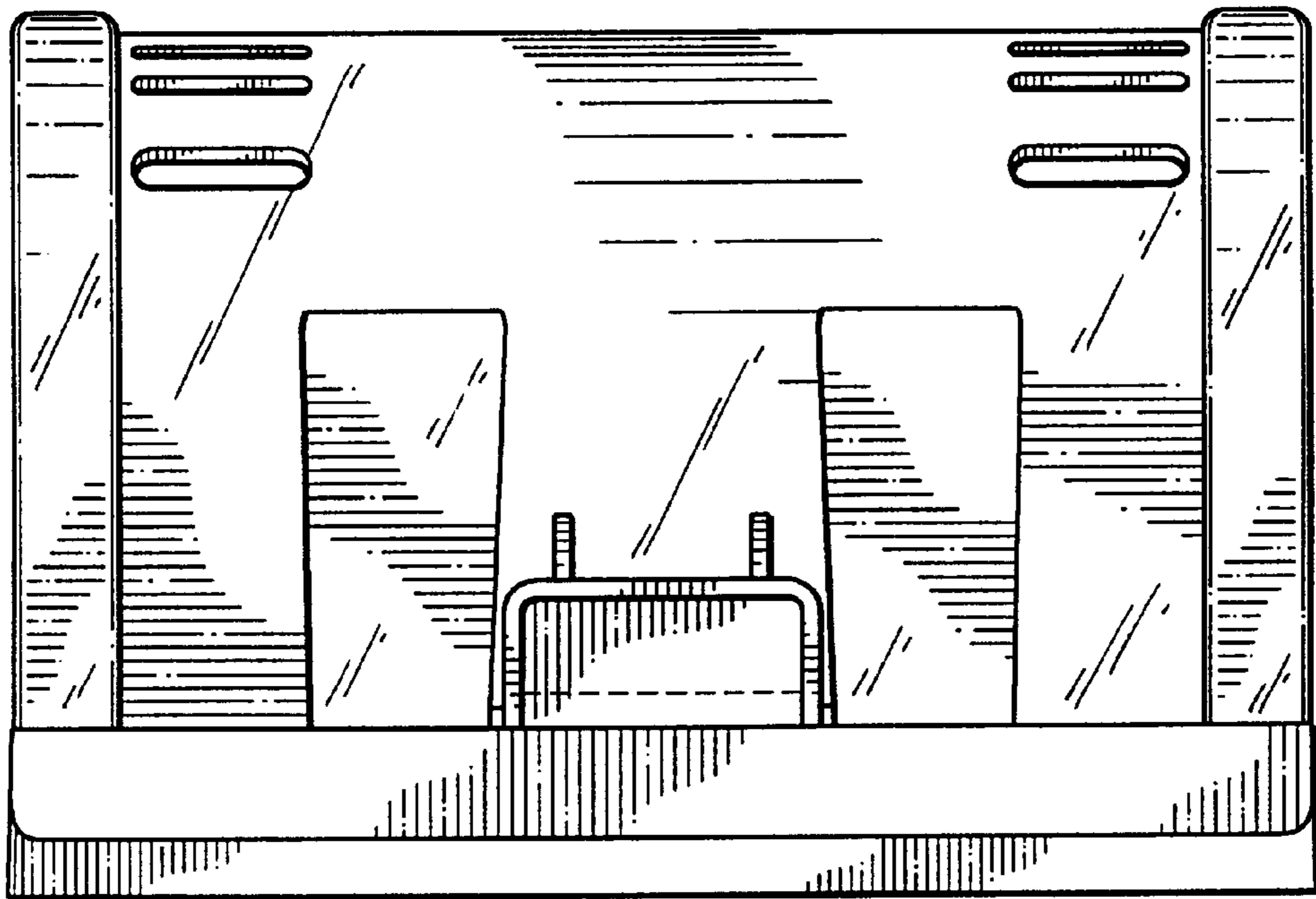


FIG. 3

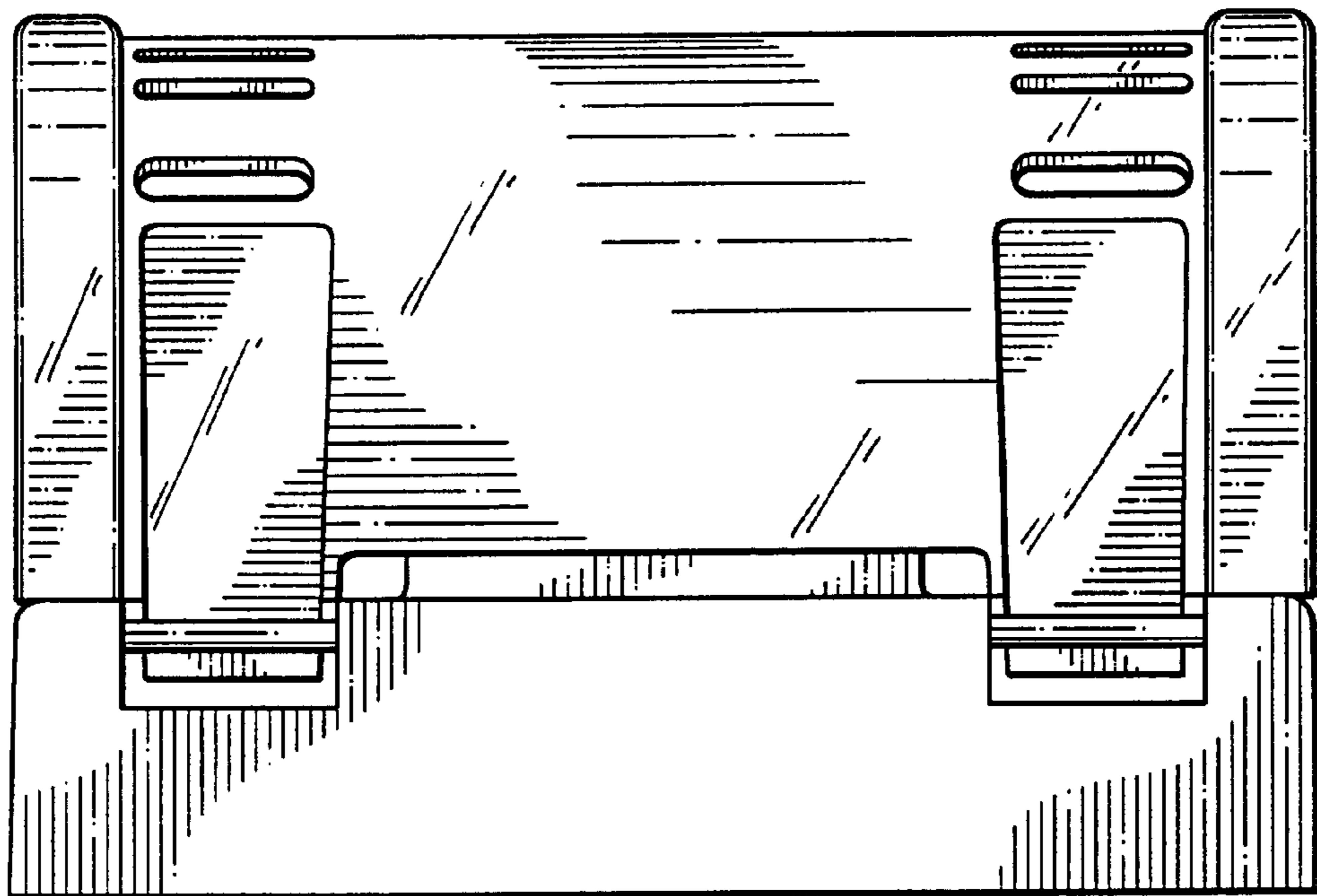


FIG. 4

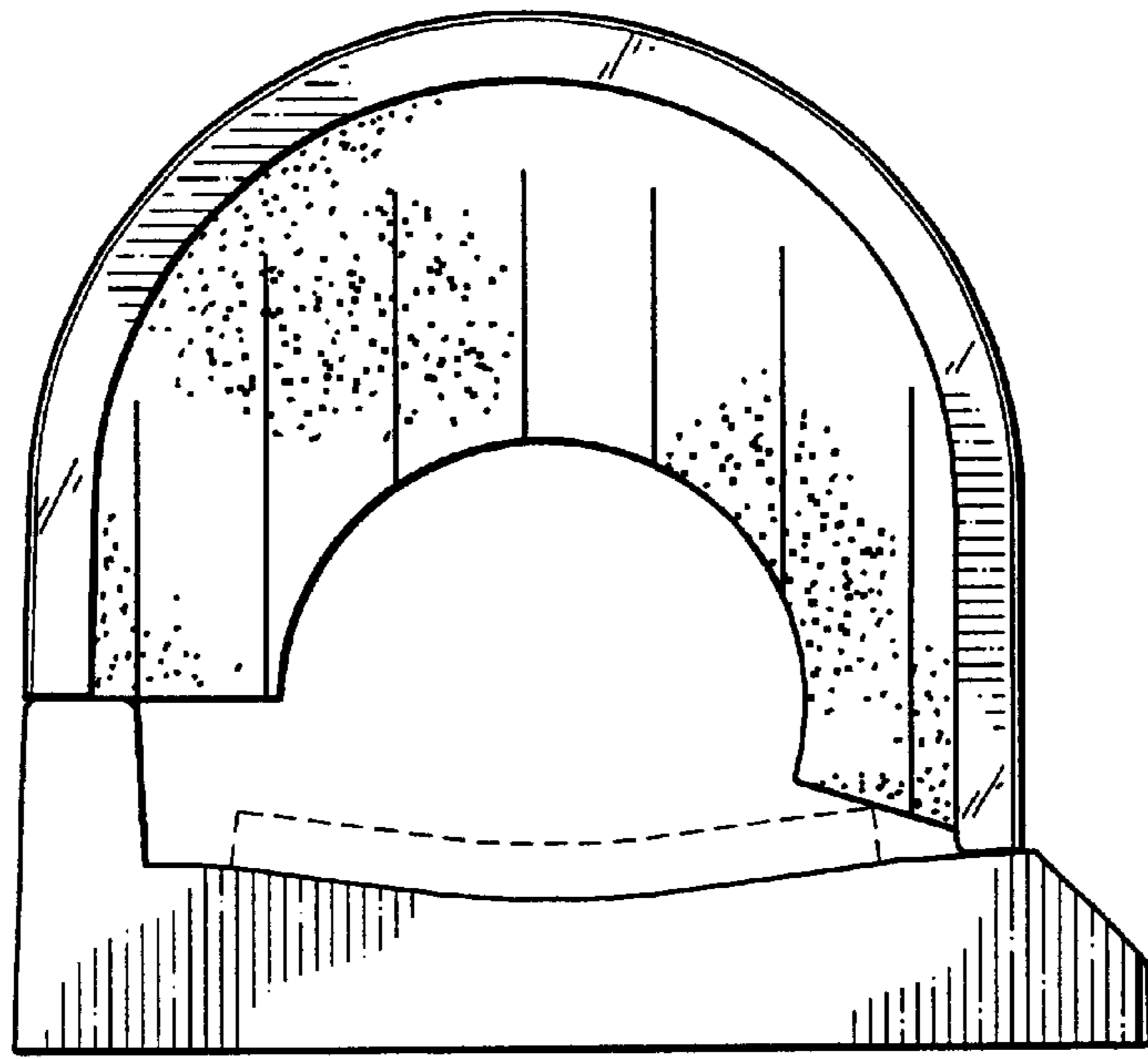


FIG. 5

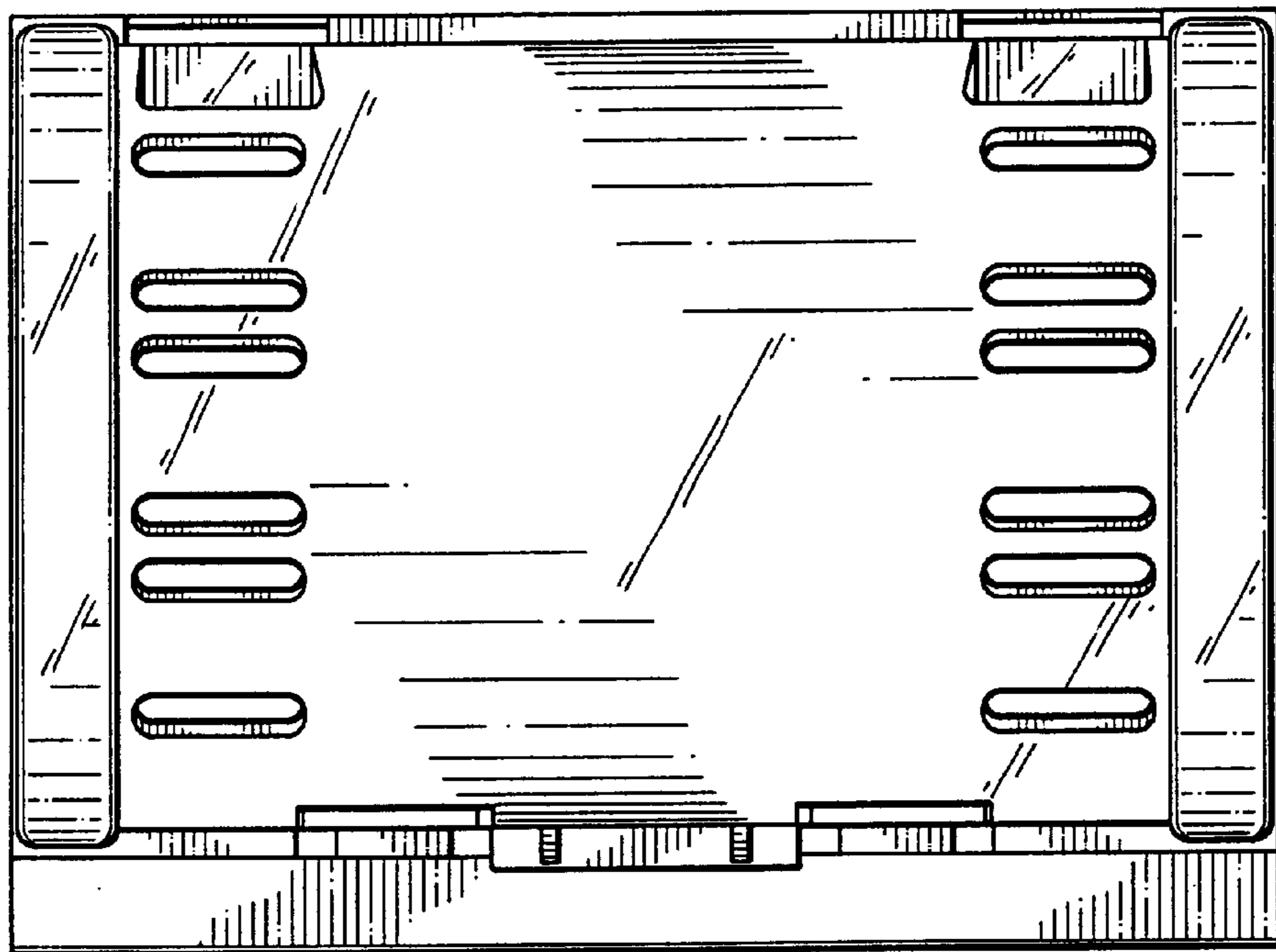


FIG. 6