



US00D469528S

(12) **United States Design Patent**  
**Niermann et al.**

(10) **Patent No.:** **US D469,528 S**

(45) **Date of Patent:** **\*\* Jan. 28, 2003**

(54) **NEEDLE ASSEMBLY**

(75) **Inventors:** **Volker Niermann**, Little Falls, NJ  
(US); **Bradley M. Wilkinson**, North  
Haledon, NJ (US)

(73) **Assignee:** **Becton, Dickinson and Company**,  
Franklin Lakes, NJ (US)

(\*\*) **Term:** **14 Years**

(21) **Appl. No.:** **29/148,342**

(22) **Filed:** **Sep. 18, 2001**

(51) **LOC (7) Cl.** ..... **24-02**

(52) **U.S. Cl.** ..... **D24/130; D24/112; D24/113**

(58) **Field of Search** ..... D24/130, 113,  
D24/112, 114, 128, 127, 146, 147; 128/DIG. 28;  
600/573, 576, 583, 567; 604/177, 164.01,  
174, 198, 165.04, 165.03, 164.04, 164.08,  
164.03, 164.07, 164.06

(56) **References Cited**

**U.S. PATENT DOCUMENTS**

2,725,058 A \* 11/1955 Rathkey ..... D24/114  
4,326,519 A \* 4/1982 D'Alo et al. .... D24/112

4,834,708 A \* 5/1989 Pillari ..... 604/165.04  
5,312,359 A \* 5/1994 Wallace ..... 604/164.08  
5,697,914 A \* 12/1997 Brimhall ..... 604/177  
5,746,215 A \* 5/1998 Manjarrez ..... 600/573  
D421,119 S \* 2/2000 Musgrave et al. .... D24/112  
D451,600 S \* 12/2001 Crawford et al. .... D24/130

\* cited by examiner

*Primary Examiner*—Ian Simmons

(74) *Attorney, Agent, or Firm*—Nanette S. Thomas, Esq.

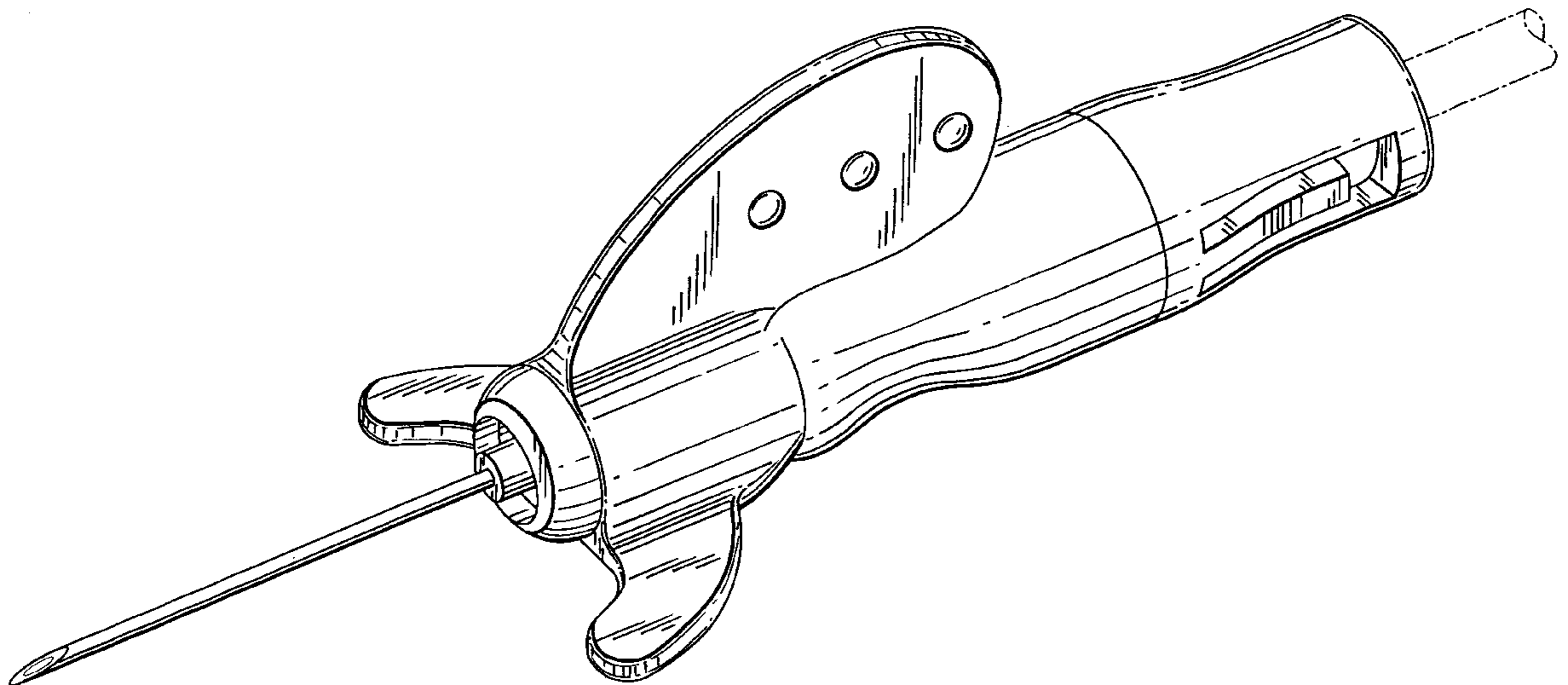
(57) **CLAIM**

The ornamental design for a needle assembly, as shown and described.

**DESCRIPTION**

FIG. 1 is a perspective view of a needle assembly showing our new design, the broken line showing is for illustrative purposes only and forms no part of the claimed design; FIG. 2 is a top plan view thereof; FIG. 3 is a left side elevational view thereof; FIG. 4 is a right side elevational view thereof; FIG. 5 is a front elevational view thereof; FIG. 6 is a rear elevational view thereof; and, FIG. 7 is a bottom plan view thereof.

**1 Claim, 6 Drawing Sheets**



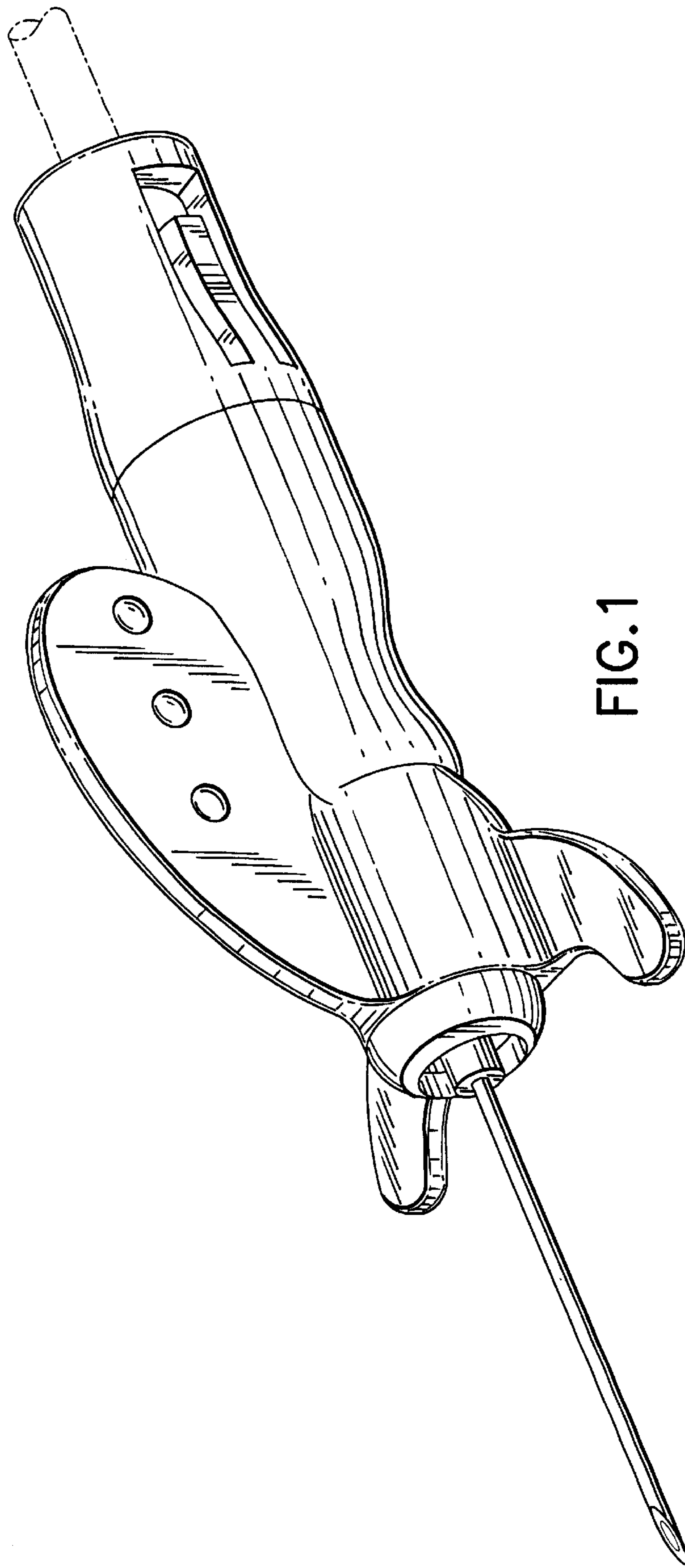


FIG. 1

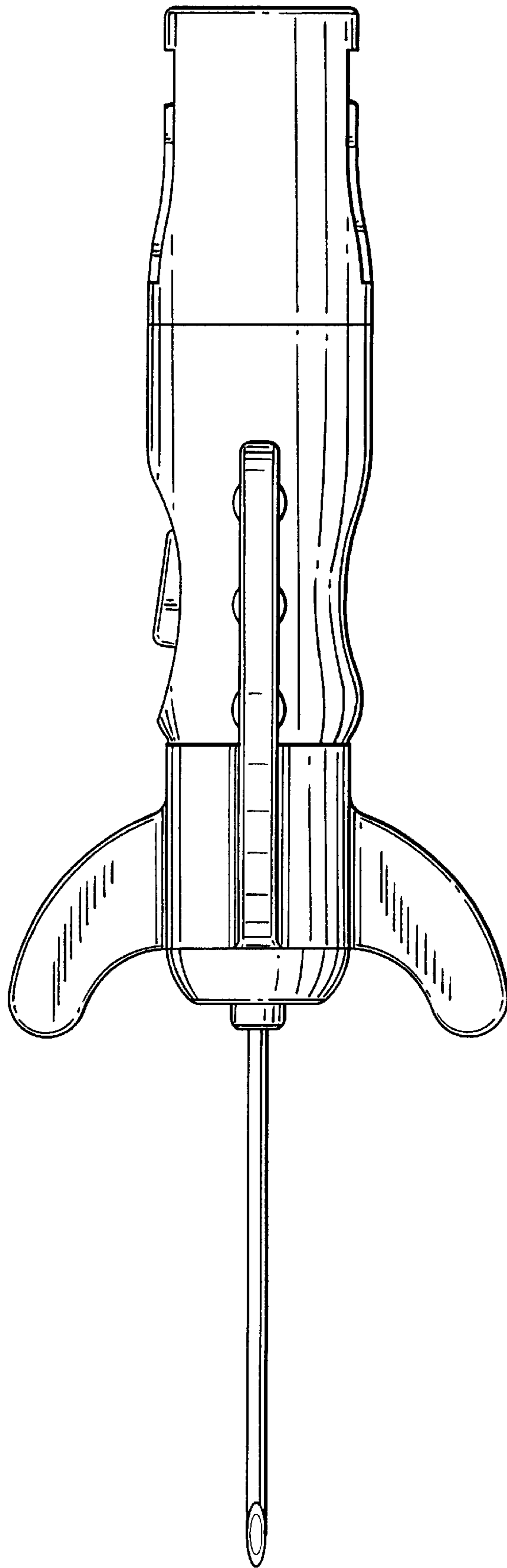


FIG.2

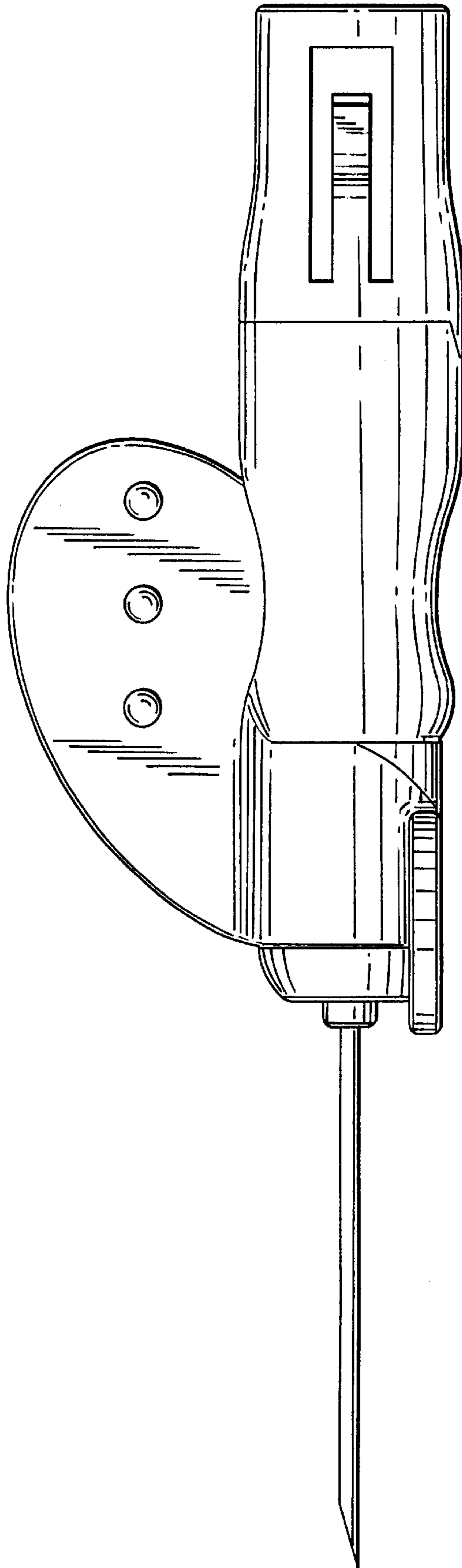


FIG. 3

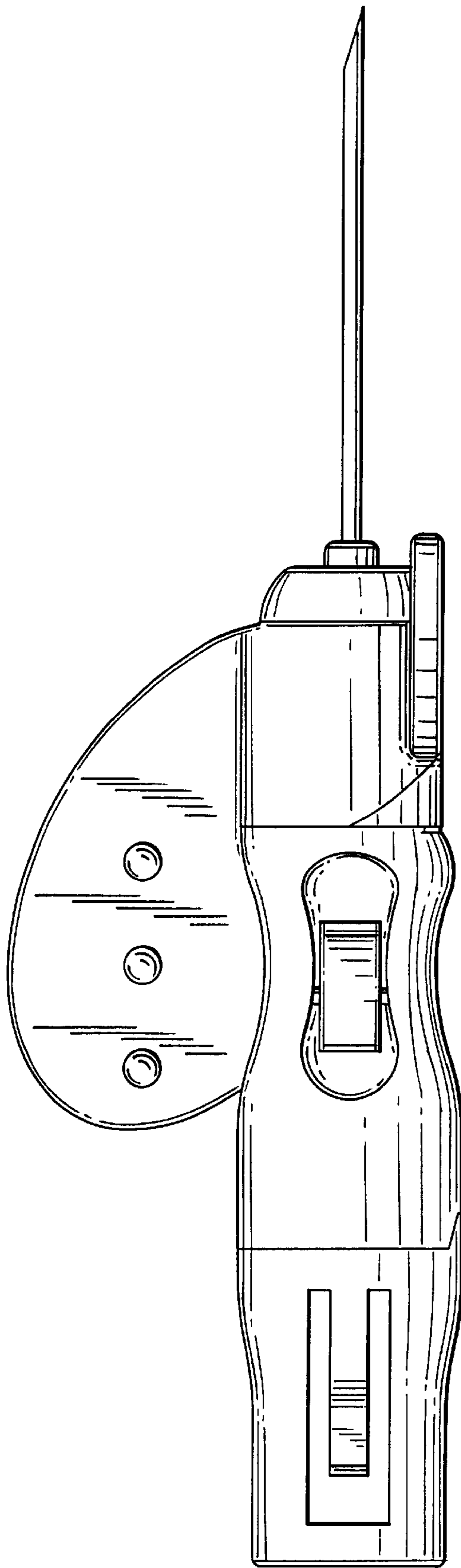


FIG.4

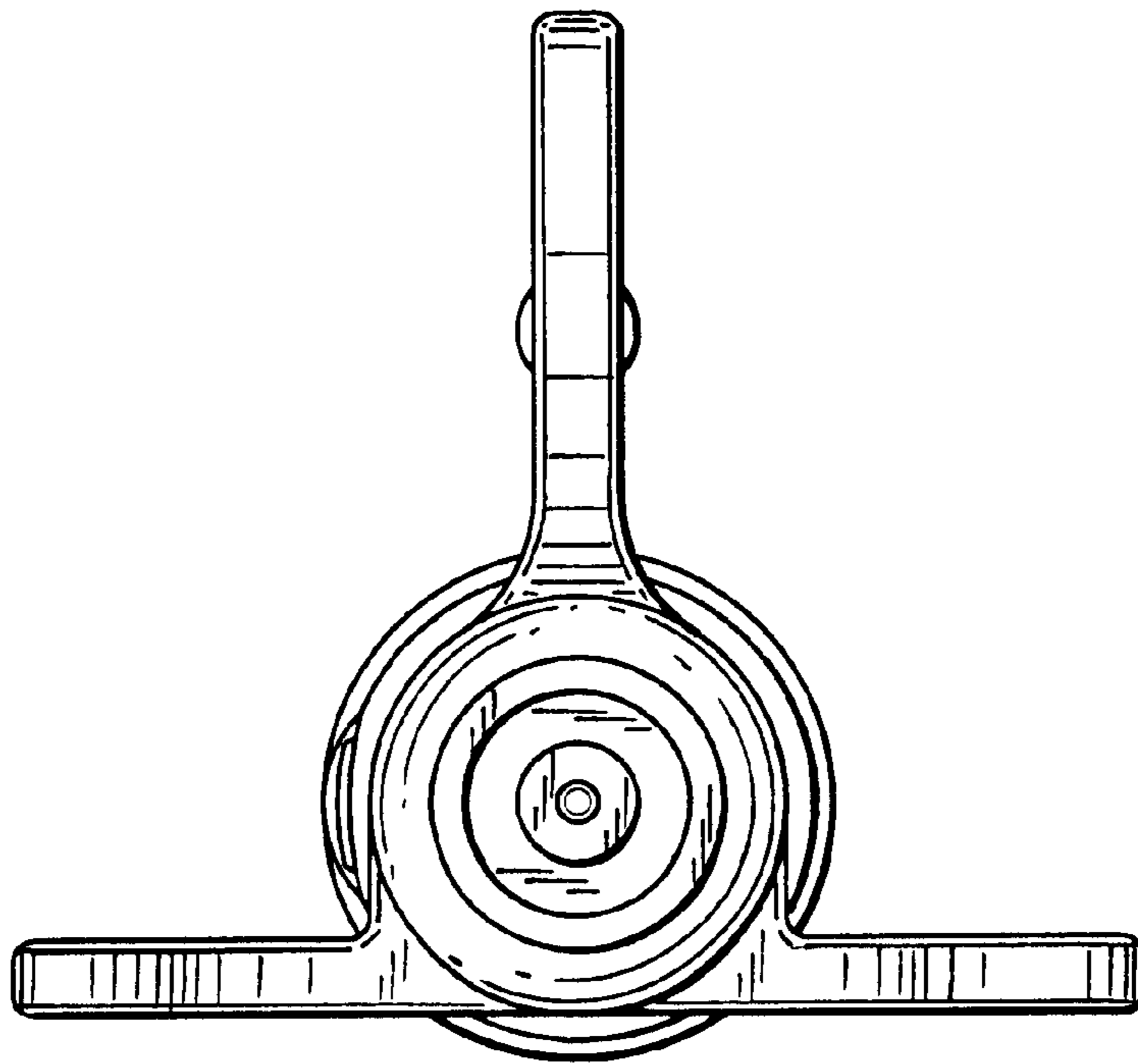


FIG. 5

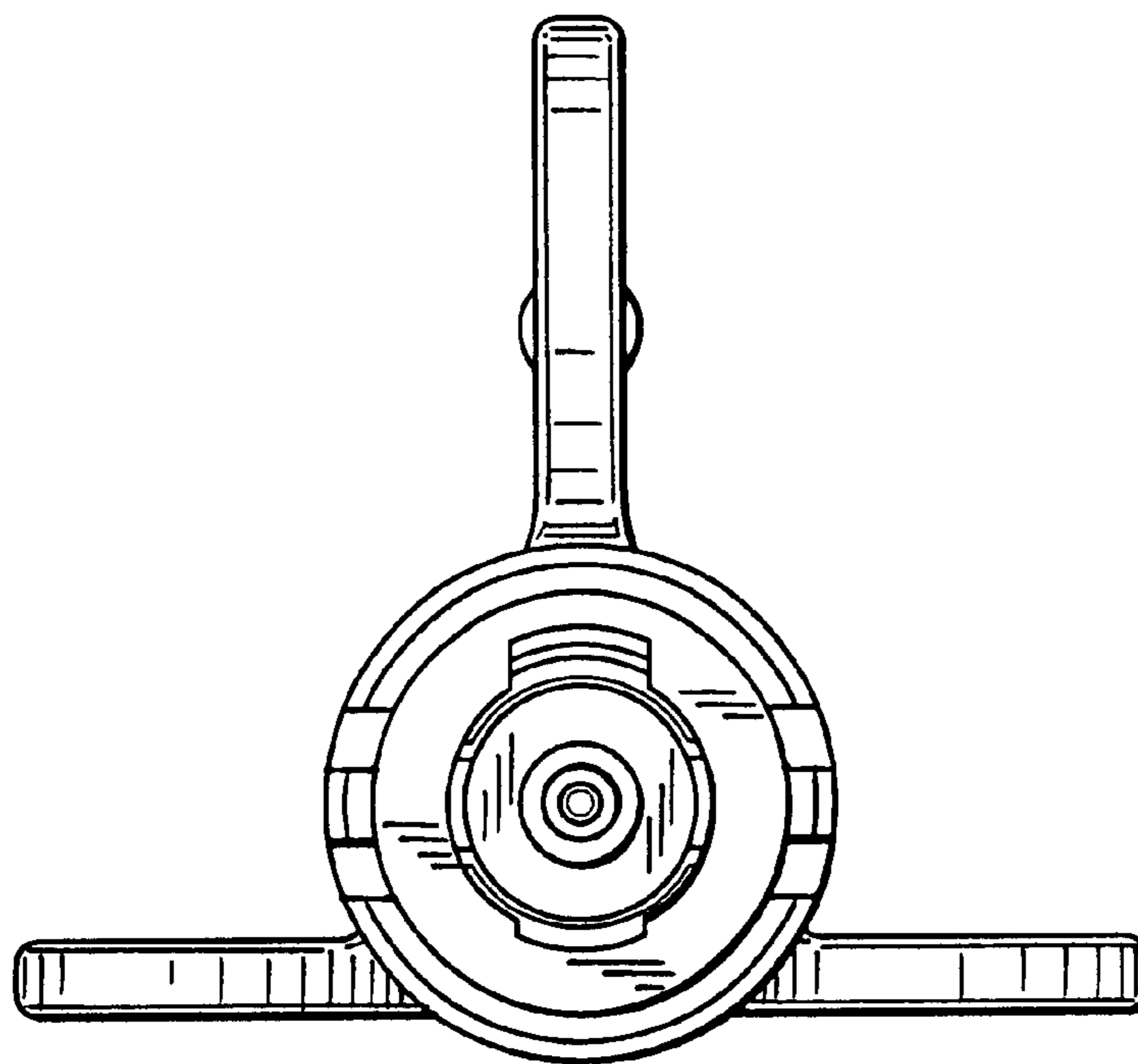


FIG. 6

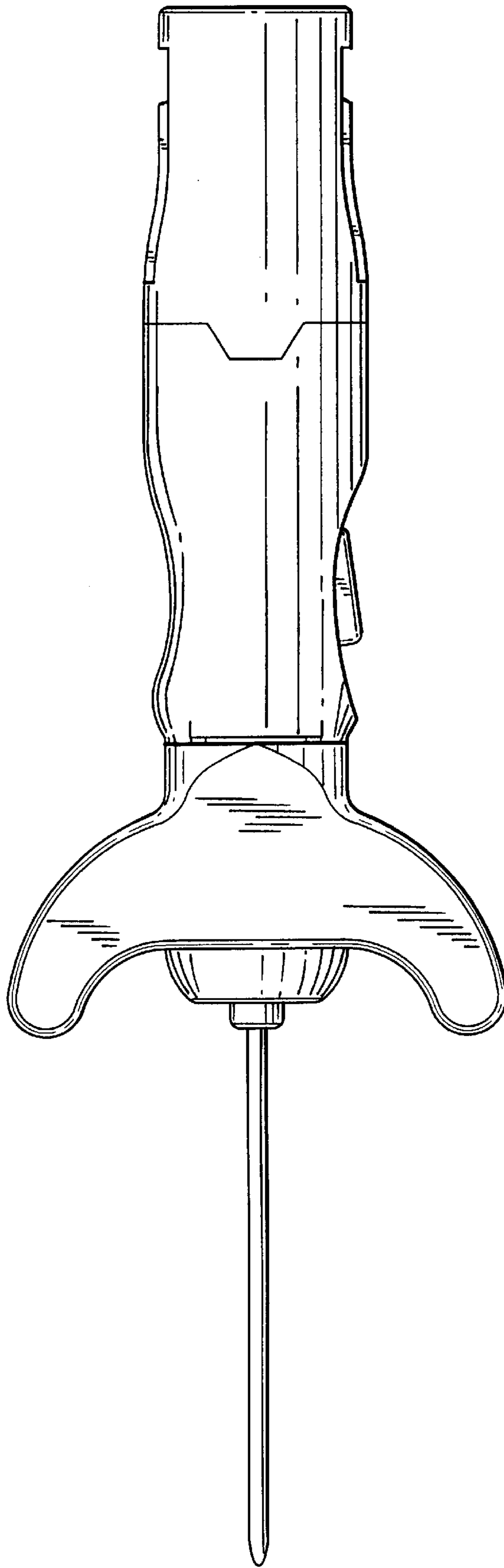


FIG. 7