



US00D469525S

(12) **United States Design Patent**
Giugiaro

(10) **Patent No.:** **US D469,525 S**

(45) **Date of Patent:** **** Jan. 28, 2003**

(54) **CASING FOR AN AIR CONDITIONING,
COOLING AND/OR HEATING APPARATUS**

(76) **Inventor:** **Giorgetto Giugiaro**, c/o Italdesign
Giugiaro S.p.A., Via Achille Grandi 25,
Moncalieri (Torino) 10024 (IT)

(**) **Term:** **14 Years**

(21) **Appl. No.:** **29/151,792**

(22) **Filed:** **Dec. 7, 2001**

(30) **Foreign Application Priority Data**

Jun. 8, 2001 (IT) MI0100450

(51) **LOC (7) Cl.** **23-04**

(52) **U.S. Cl.** **D23/328; D23/342; D23/351**

(58) **Field of Search** D23/351, 342,
D23/328, 314, 330, 333; 312/236, 238,
400; 62/259.1, 259.4, 262, 263; 165/122;
454/201-204; 126/90 A, 92 A, 92 B; 392/365-9,
373-6

(56) **References Cited**

U.S. PATENT DOCUMENTS

2,205,716 A * 6/1940 Dunham et al.

| | | | | | |
|------------|---|---------|-----------------|-------|---------|
| D150,440 S | * | 8/1948 | Palmer | | D23/351 |
| D171,473 S | * | 2/1954 | Wilson | | D23/351 |
| D266,186 S | * | 9/1982 | Chestnut et al. | | D23/342 |
| D299,524 S | * | 1/1989 | Din-Her | | D23/314 |
| D349,338 S | * | 8/1994 | Crinion | | D23/328 |
| D384,735 S | * | 10/1997 | Saccone et al. | | D23/351 |
| D448,838 S | * | 10/2001 | Galeazzi et al. | | D23/354 |

* cited by examiner

Primary Examiner—B. J. Bullock

(74) *Attorney, Agent, or Firm*—Kalow & Springut LLP

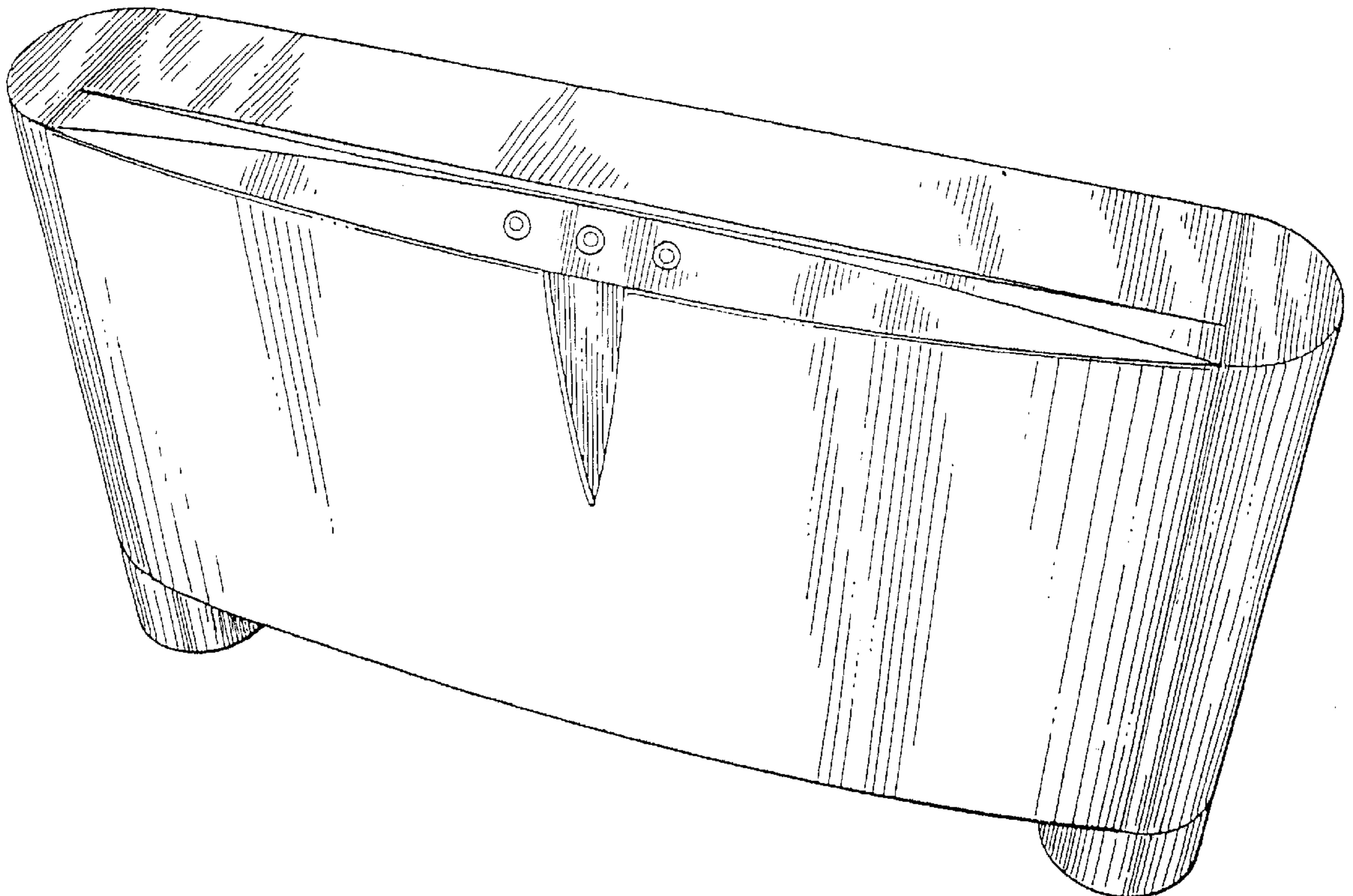
(57) **CLAIM**

The ornamental design for a casing for an air conditioning, cooling and/or heating apparatus, as shown and described.

DESCRIPTION

FIG. 1 is a front view of an embodiment of the casing.
FIG. 2 is a back view of an embodiment of the casing.
FIG. 3 is a left-side view of an embodiment of the casing.
FIG. 4 is a right-side view of an embodiment of the casing.
FIG. 5 is a top view of an embodiment of the casing.
FIG. 6 is a bottom view of an embodiment of the casing; and,
FIG. 7 is a perspective view of an embodiment of the casing showing an ornamental effect.

1 Claim, 3 Drawing Sheets



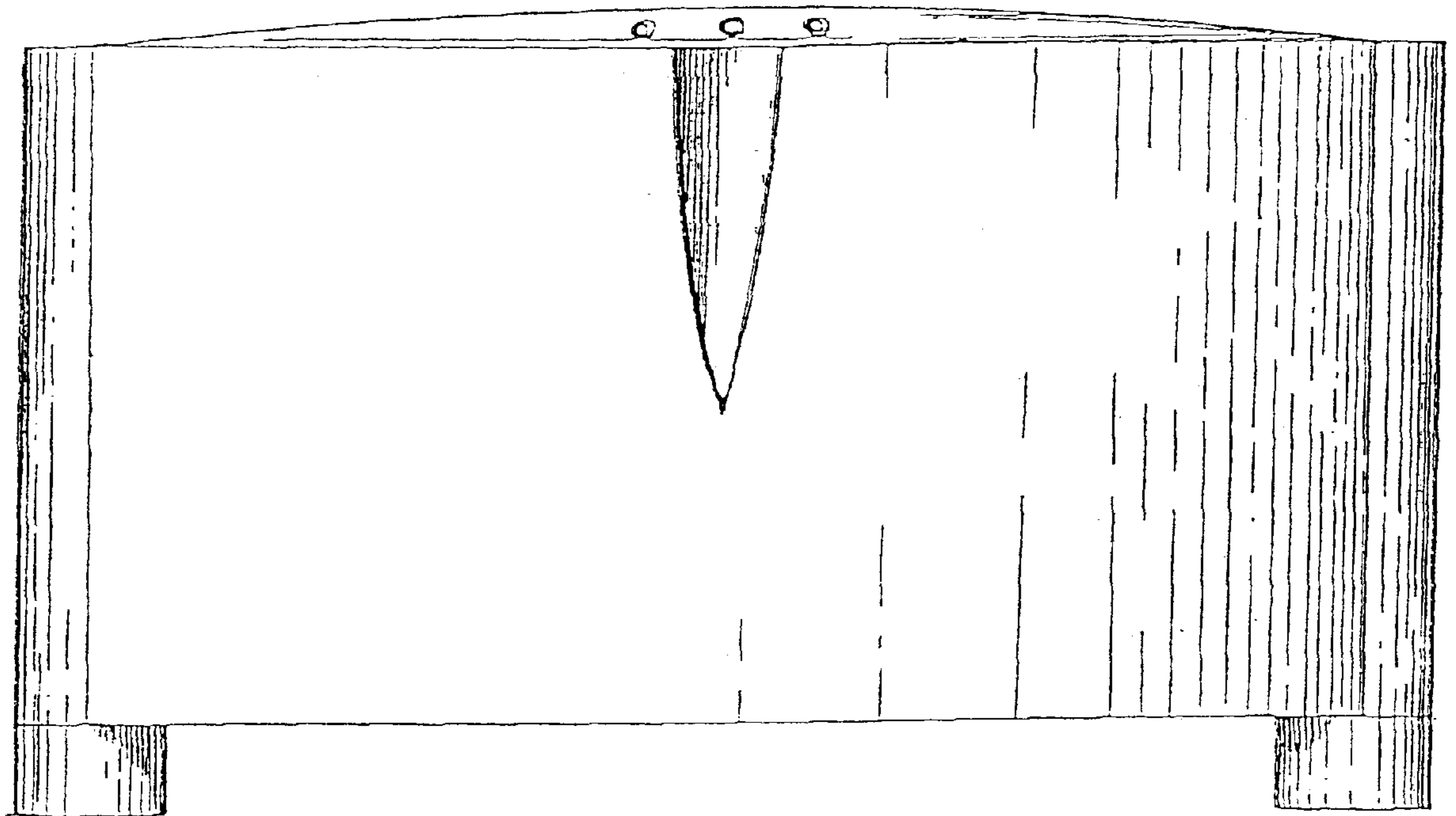


FIG. 1

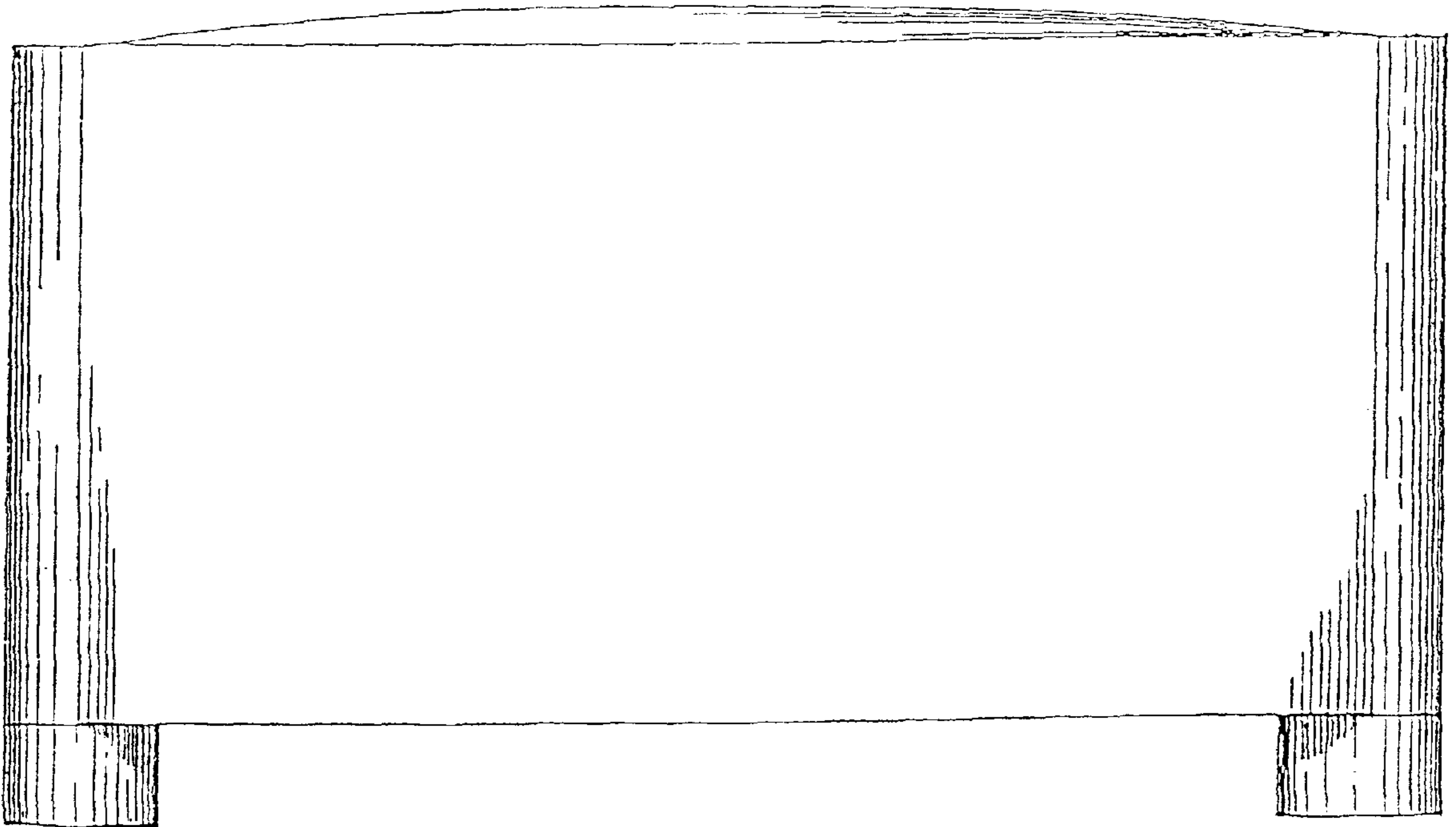


FIG. 2

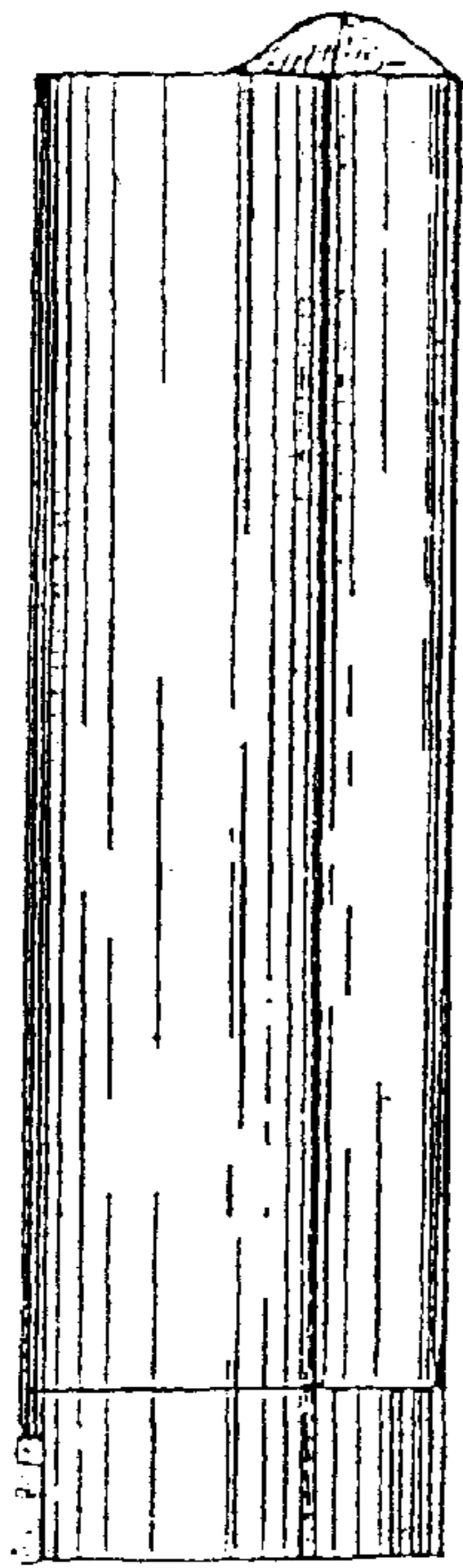


FIG. 3

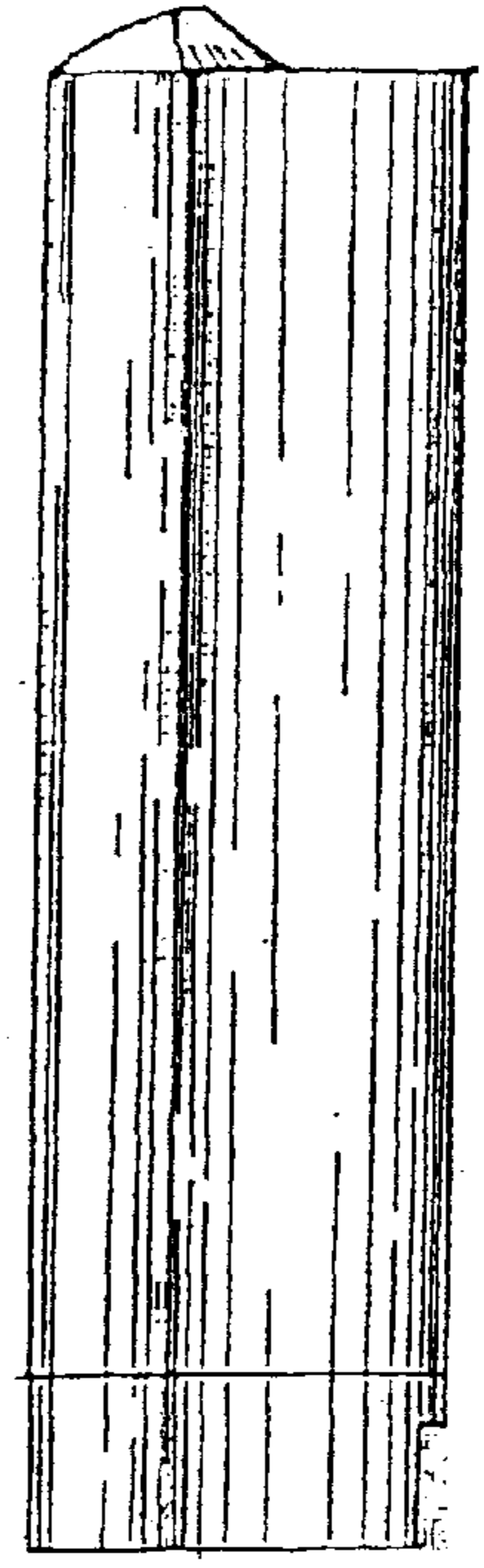


FIG. 4

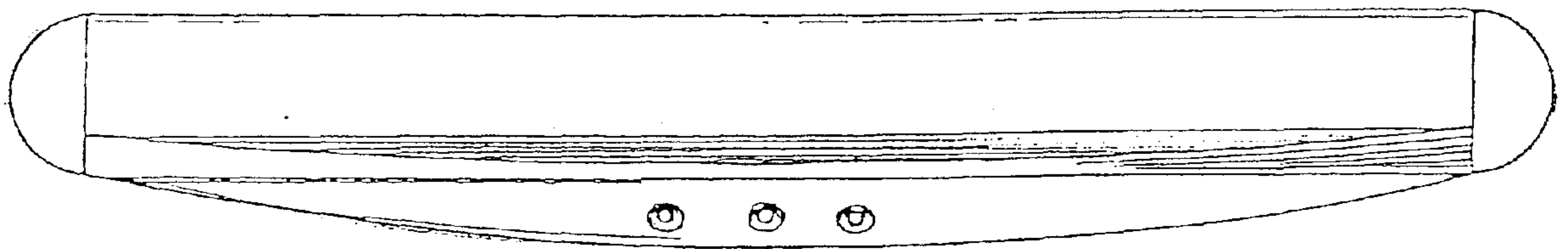


FIG. 5

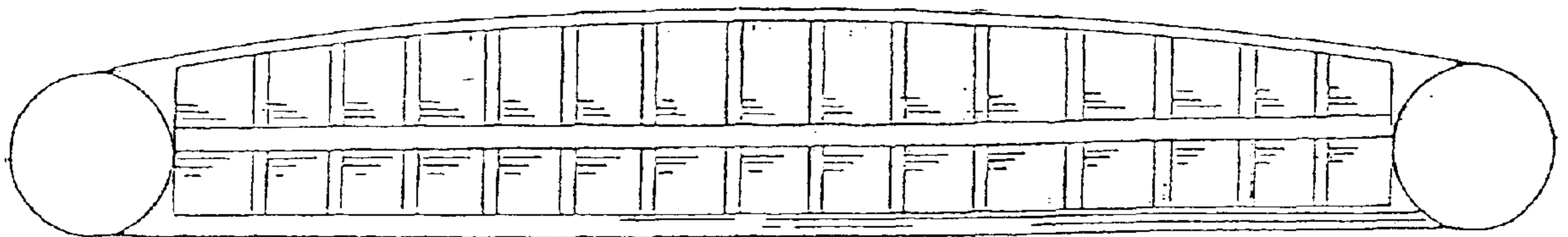


FIG. 6

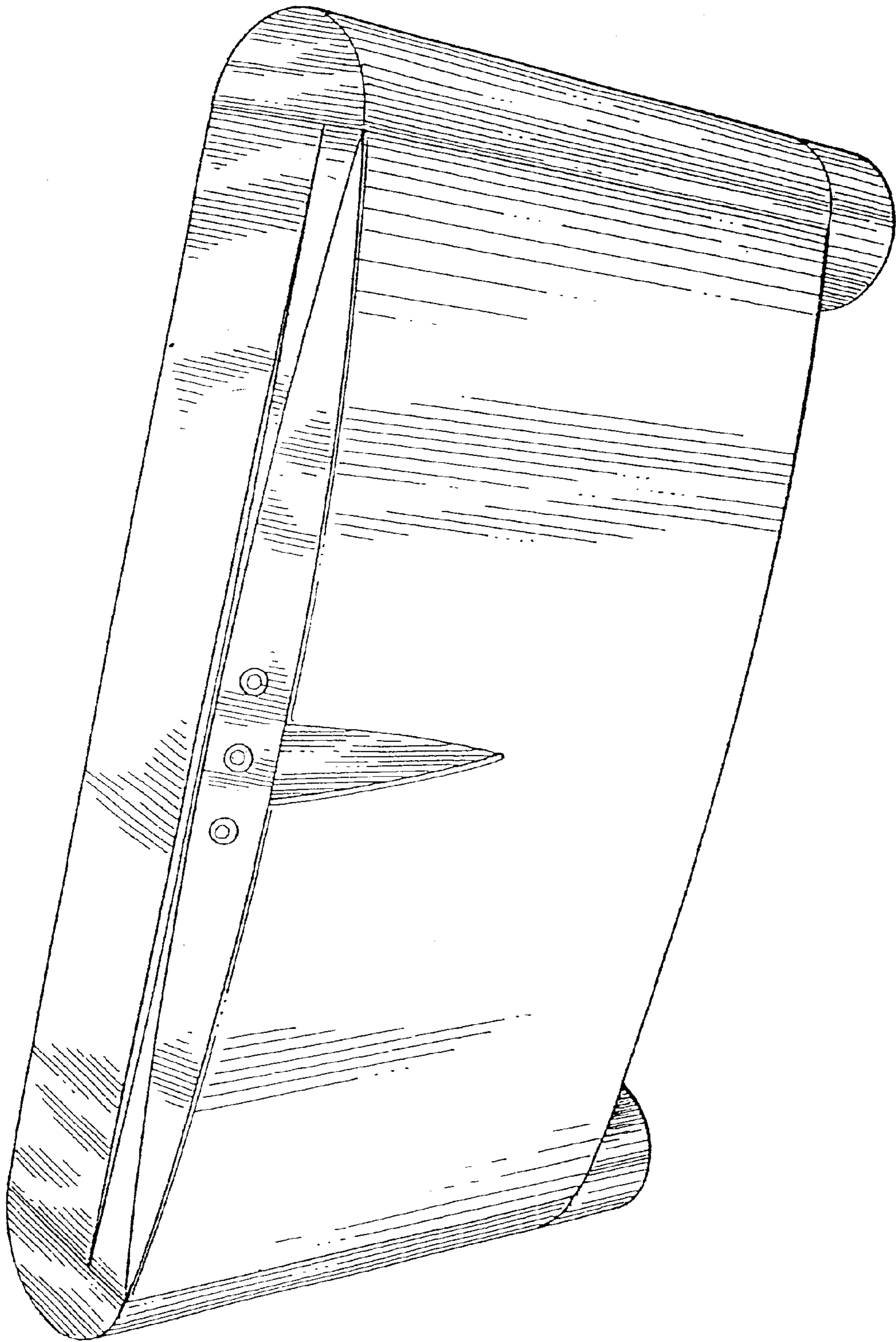


FIG. 7