



US00D469524S

(12) **United States Design Patent**
Roberts

(10) **Patent No.:** **US D469,524 S**

(45) **Date of Patent:** **** Jan. 28, 2003**

(54) **RIM FOR A SINK**

(76) Inventor: **Samuel K. Roberts**, 20 Morgan Ct.,
Lincoln, RI (US) 02865

(**) Term: **14 Years**

(21) Appl. No.: **29/162,988**

(22) Filed: **Jun. 25, 2002**

(51) **LOC (7) Cl.** **23-02**

(52) **U.S. Cl.** **D23/308**

(58) **Field of Search** D23/284-285,
D23/287, 290, 292, 293.1, 308; 4/619,
625, 627, 630, 635, 637, 639-640, 642-652,
660

(56) **References Cited**

U.S. PATENT DOCUMENTS

580,136 A	*	4/1897	Lloyd	4/651
D320,263 S		9/1991	Kohler, Jr. et al.		
D376,195 S		12/1996	McKeone		
D387,138 S	*	12/1997	Anderson	D23/285
D421,104 S	*	2/2000	Kawamura	D23/284
D457,944 S		5/2002	Roberts		

OTHER PUBLICATIONS

U.S. patent application Ser. No. 29/157,792, Roberts, filed
Mar. 26, 2002.

* cited by examiner

Primary Examiner—Louis S. Zarfes

Assistant Examiner—Robert A. Delehanty

(57) **CLAIM**

The ornamental design for a rim for a sink, as shown and
described.

DESCRIPTION

FIG. 1 is a top perspective view of the rim for a sink;
FIG. 2 is a top plan view thereof;
FIG. 3 is a cross sectional view taken along line: **3—3** of
FIG. 2; and,
FIG. 4 is a cross sectional view taken along line **4—4** of FIG.
2 thereof.

The fragmentary broken line representation of a counter top
in FIG. 1 and the broken line representations of bowl
structure in FIG. 3 and FIG. 4 are for the purposes of
illustration only, and form no part of the claimed design.

1 Claim, 2 Drawing Sheets

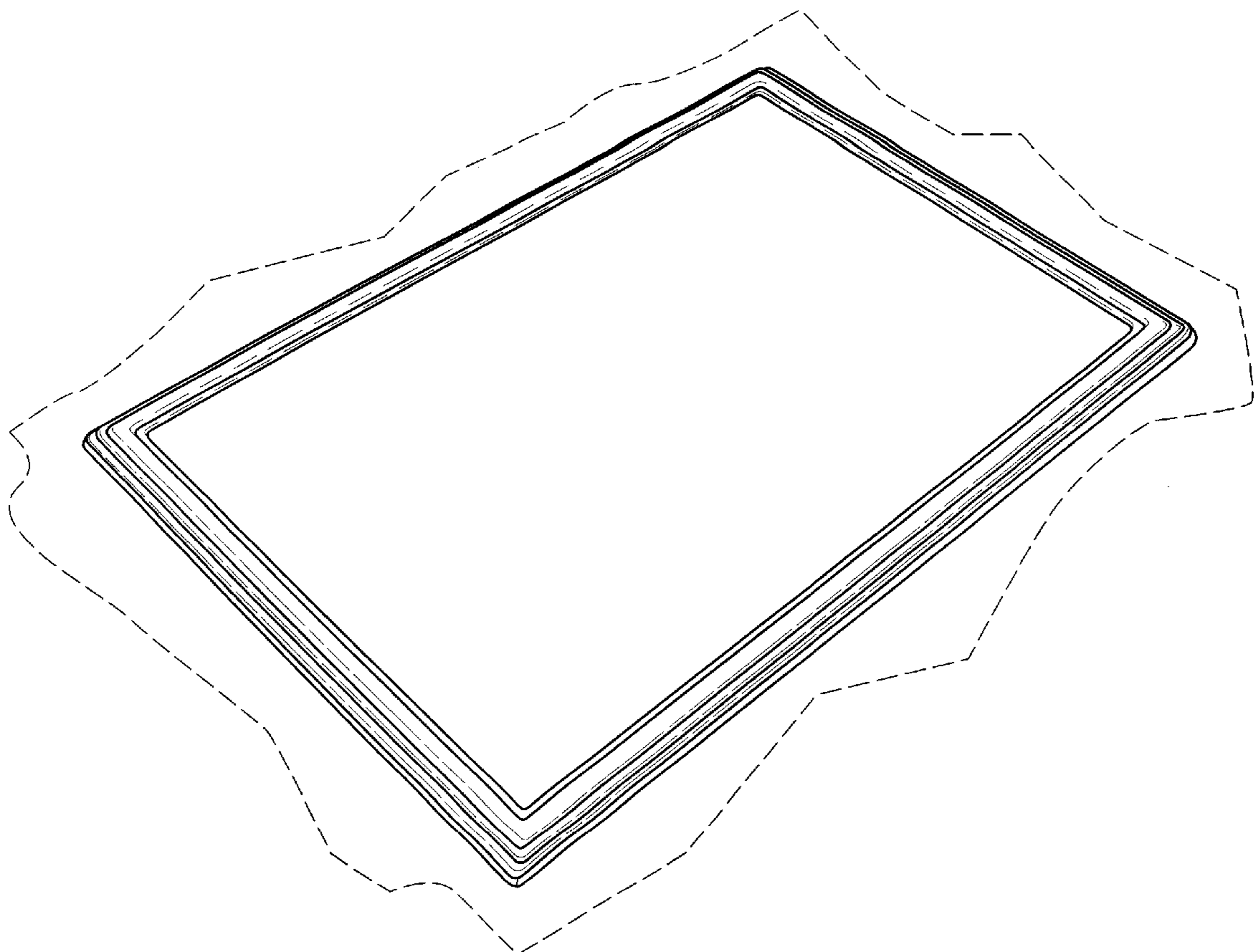


FIG. 1

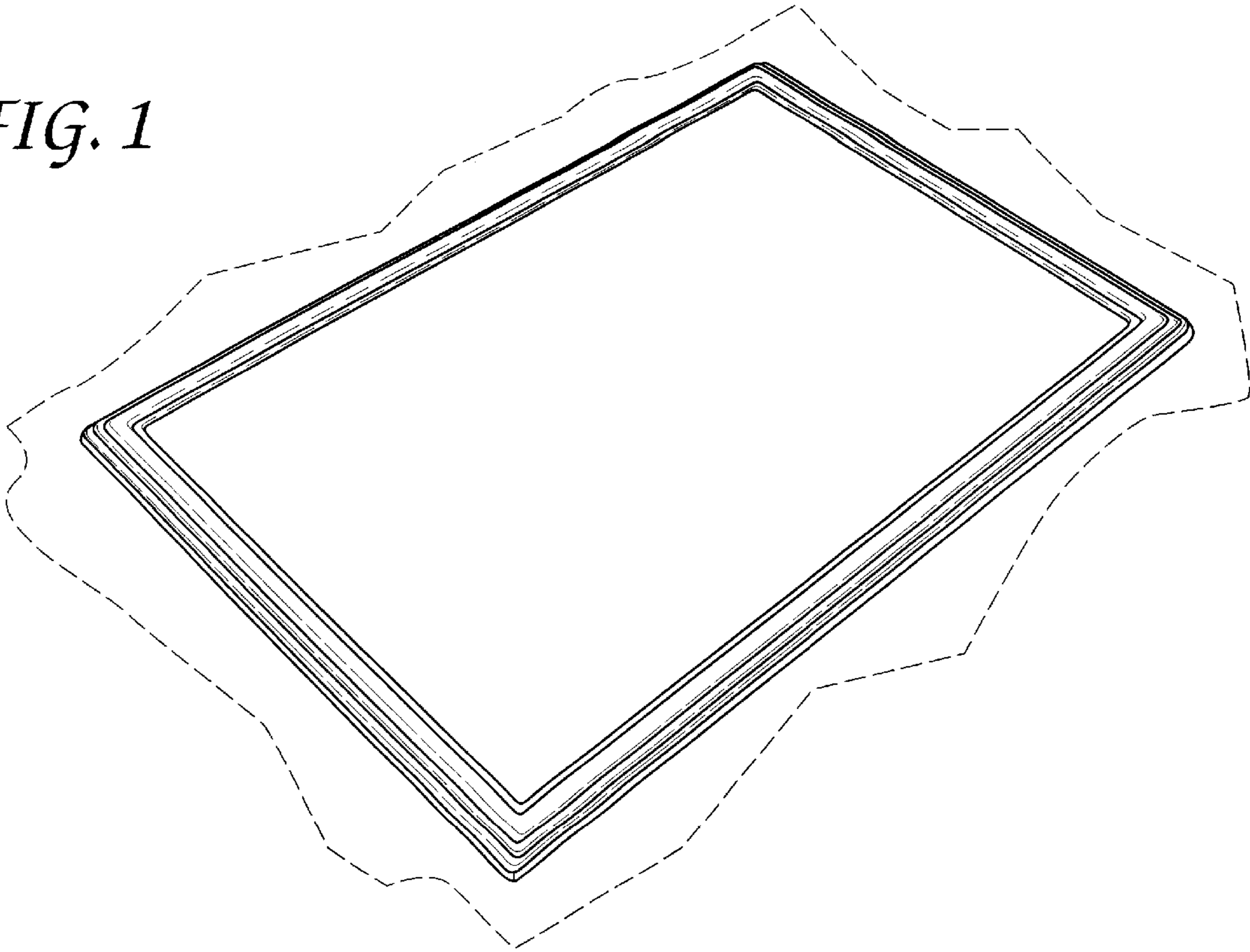


FIG. 2

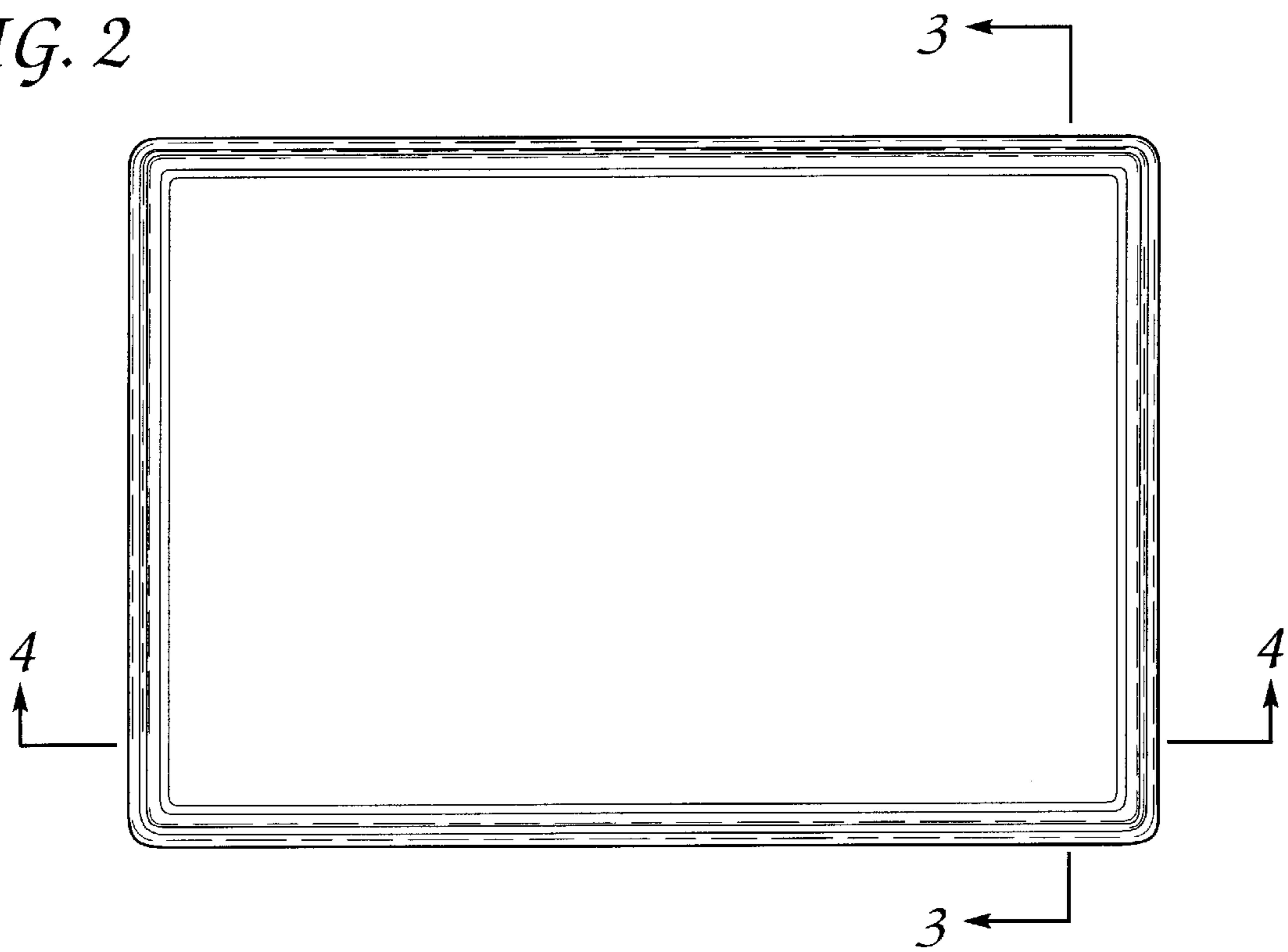


FIG. 3

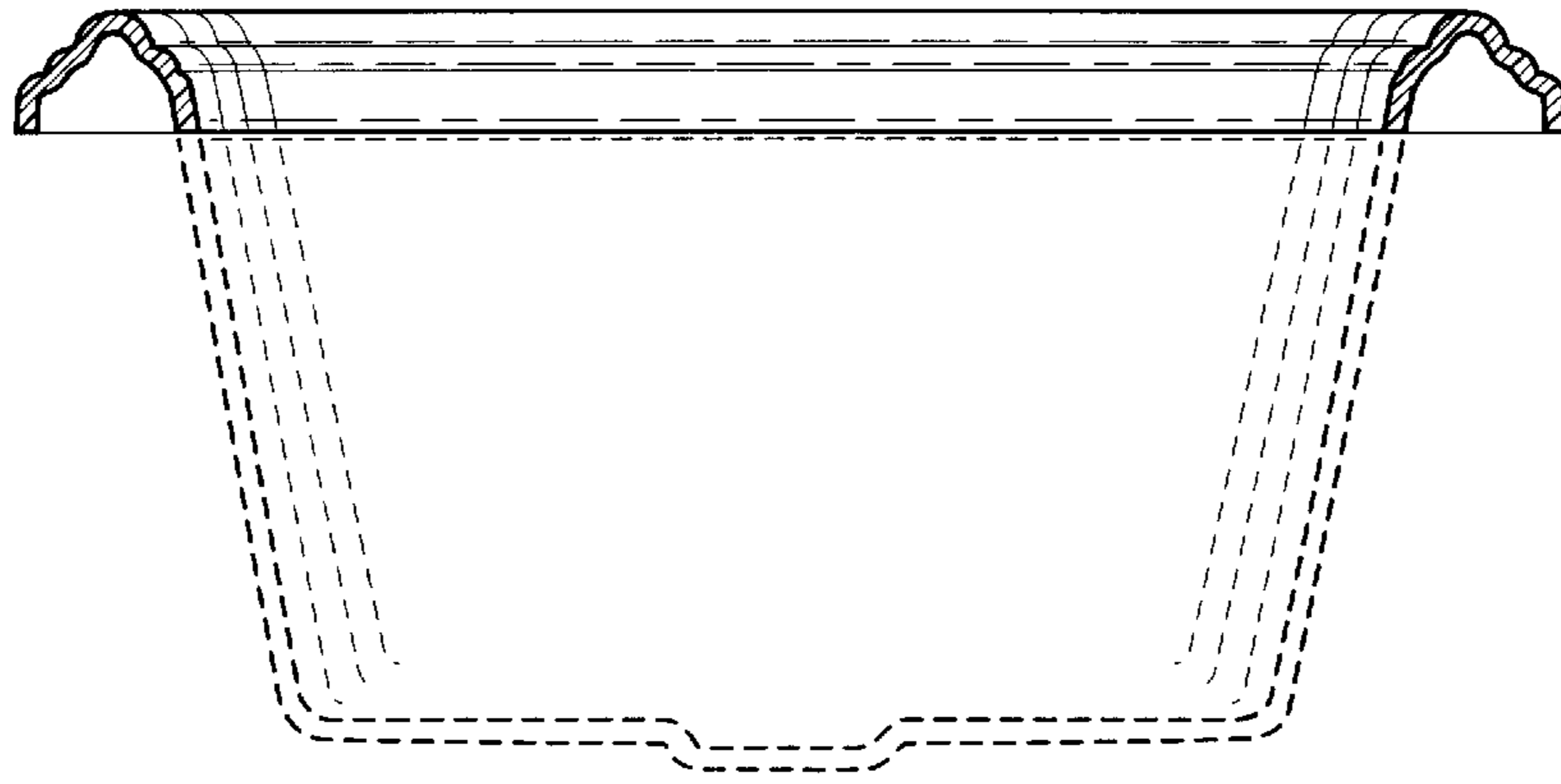


FIG. 4

