



US00D469521S

(12) **United States Design Patent**
Cummings

(10) **Patent No.:** **US D469,521 S**

(45) **Date of Patent:** **** Jan. 28, 2003**

(54) **TOILET AND SINK COMBINATION**

(75) **Inventor:** **Stephen John Cummings**, Newport (AU)

(73) **Assignee:** **Caroma Industries Limited**, Brisbane (AU)

(**) **Term:** **14 Years**

(21) **Appl. No.:** **29/150,391**

(22) **Filed:** **Nov. 20, 2001**

(30) **Foreign Application Priority Data**

May 21, 2001 (AU) 1638/2001

(51) **LOC (7) Cl.** **23-02**

(52) **U.S. Cl.** **D23/274**

(58) **Field of Search** D23/273-274,
D23/295-299, 301, 303, 309, 313; 4/663-665,
300, 328-329, 353-354, 364, 420, 443,
474, 476, DIG. 15

(56) **References Cited**

U.S. PATENT DOCUMENTS

D101,238 S * 9/1936 Morgan D23/299

2,860,348 A * 11/1958 McClenahan 4/DIG. 15
D219,341 S * 12/1970 Jacoby et al. D23/274
3,932,899 A * 1/1976 Brady et al. 4/DIG. 15 X
D252,040 S * 6/1979 Morris et al. D23/274
D424,176 S * 5/2000 Wheeler, III D23/273

* cited by examiner

Primary Examiner—Louis S. Zarfes

Assistant Examiner—Robert A. Delehanty

(74) *Attorney, Agent, or Firm*—Merchant & Gould P.C.

(57) **CLAIM**

The ornamental design for a toilet and sink combination, as shown and described.

DESCRIPTION

FIG. 1 is a top, side perspective view of a toilet and sink combination showing my new design;
FIG. 2 is a left side elevation view, the right side being a mirror image thereof;
FIG. 3 is a front side elevation view thereof;
FIG. 4 is a rear side elevation view thereof;
FIG. 5 is a top plan view thereof; and,
FIG. 6 is a bottom plan view thereof.

1 Claim, 4 Drawing Sheets

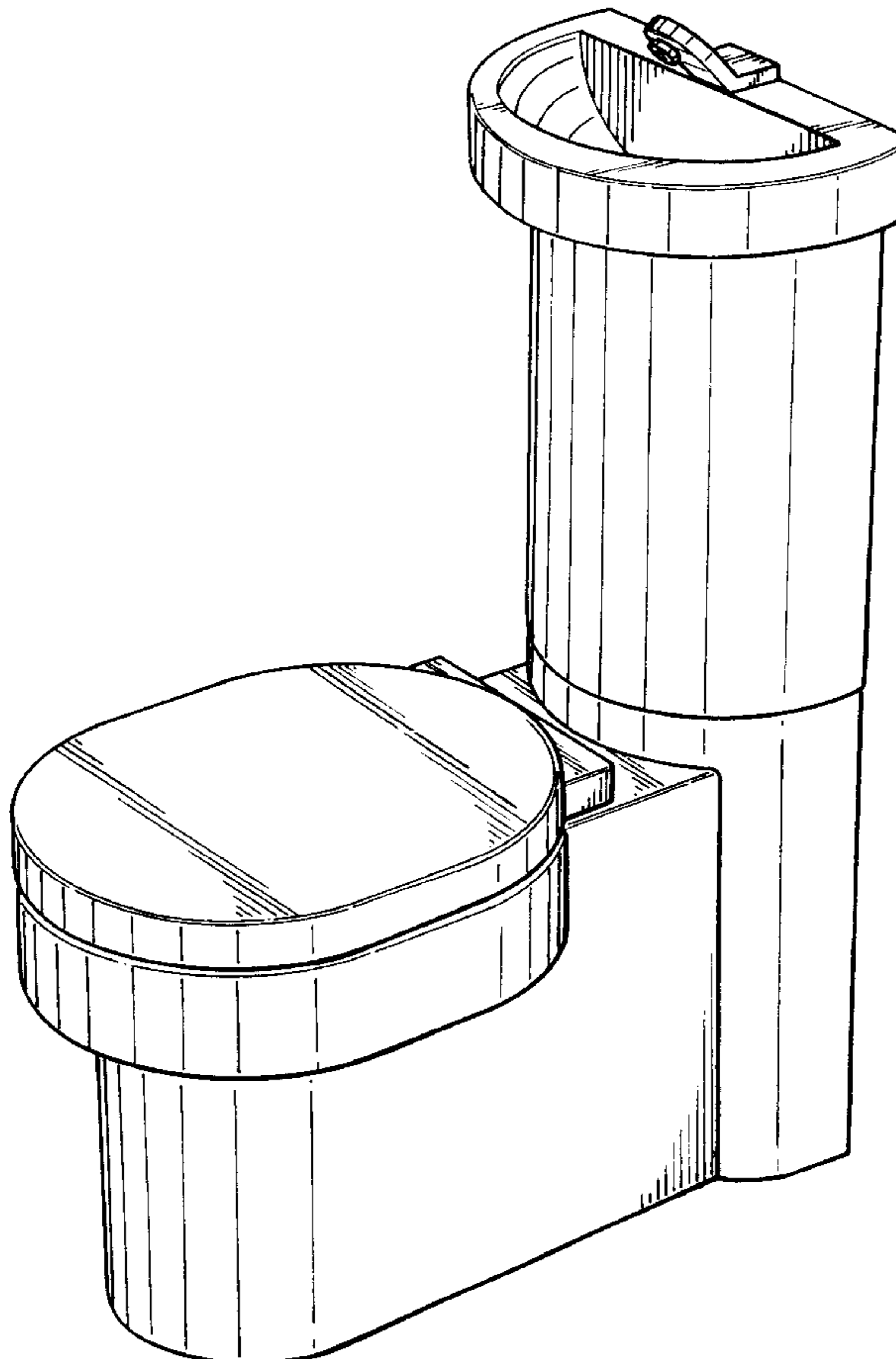


FIG. 1

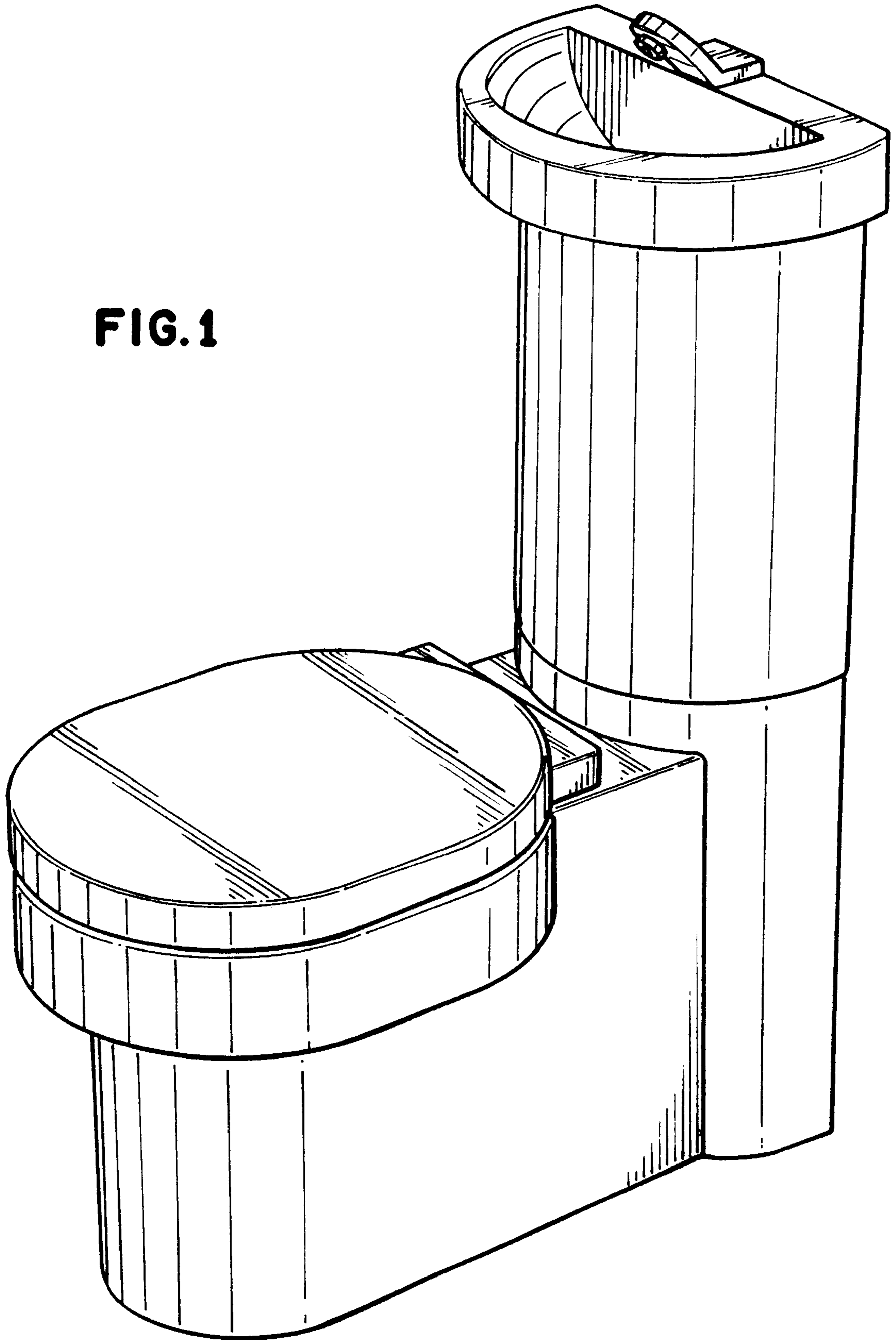
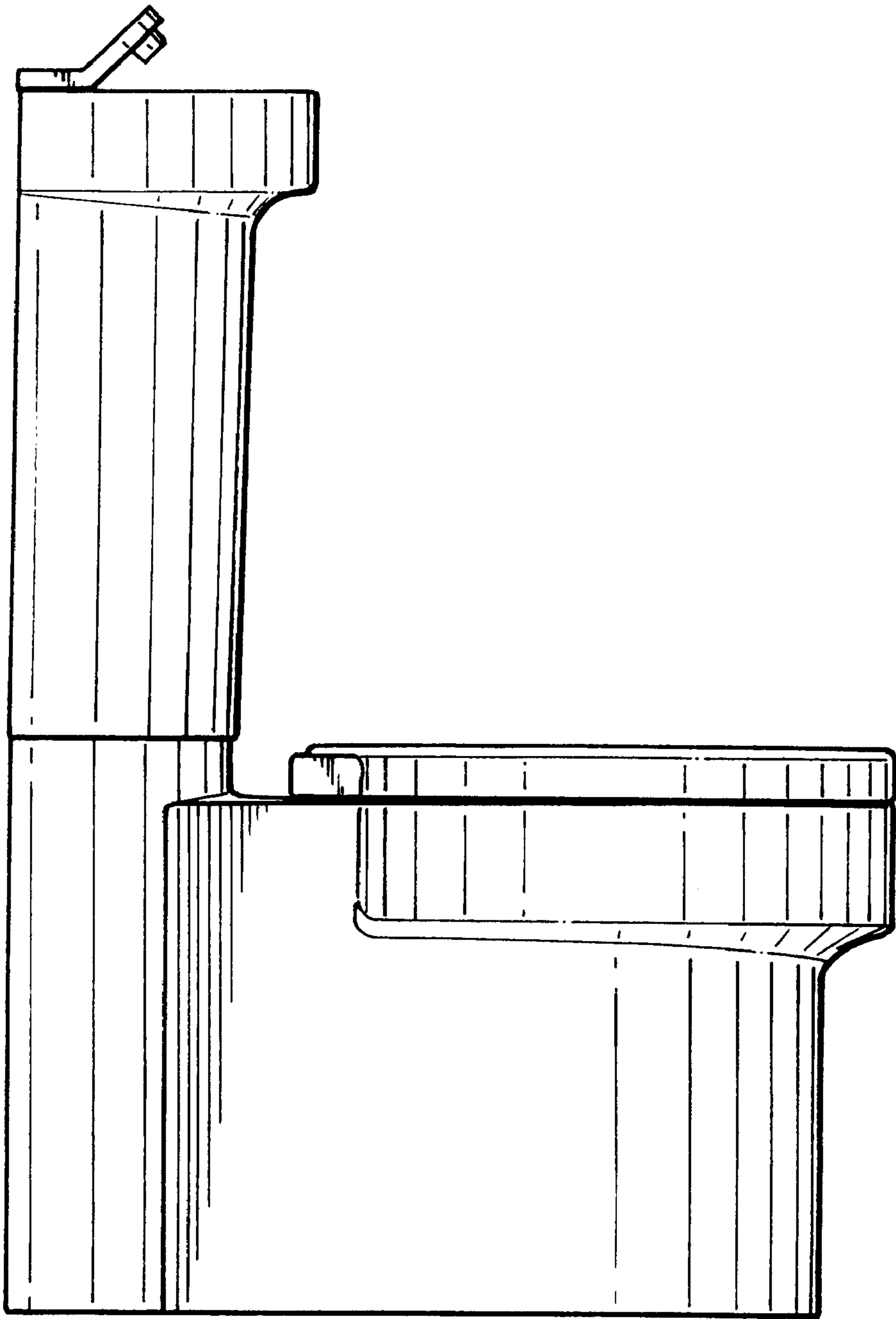


FIG. 2



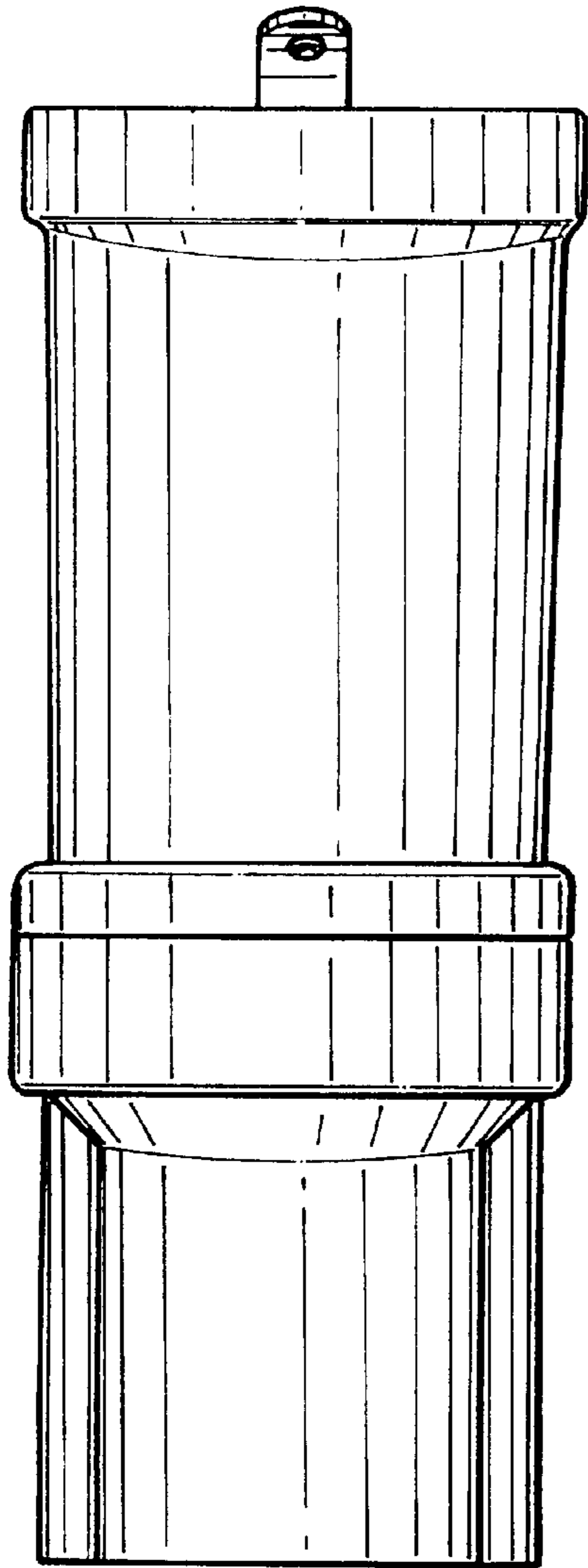


FIG. 3

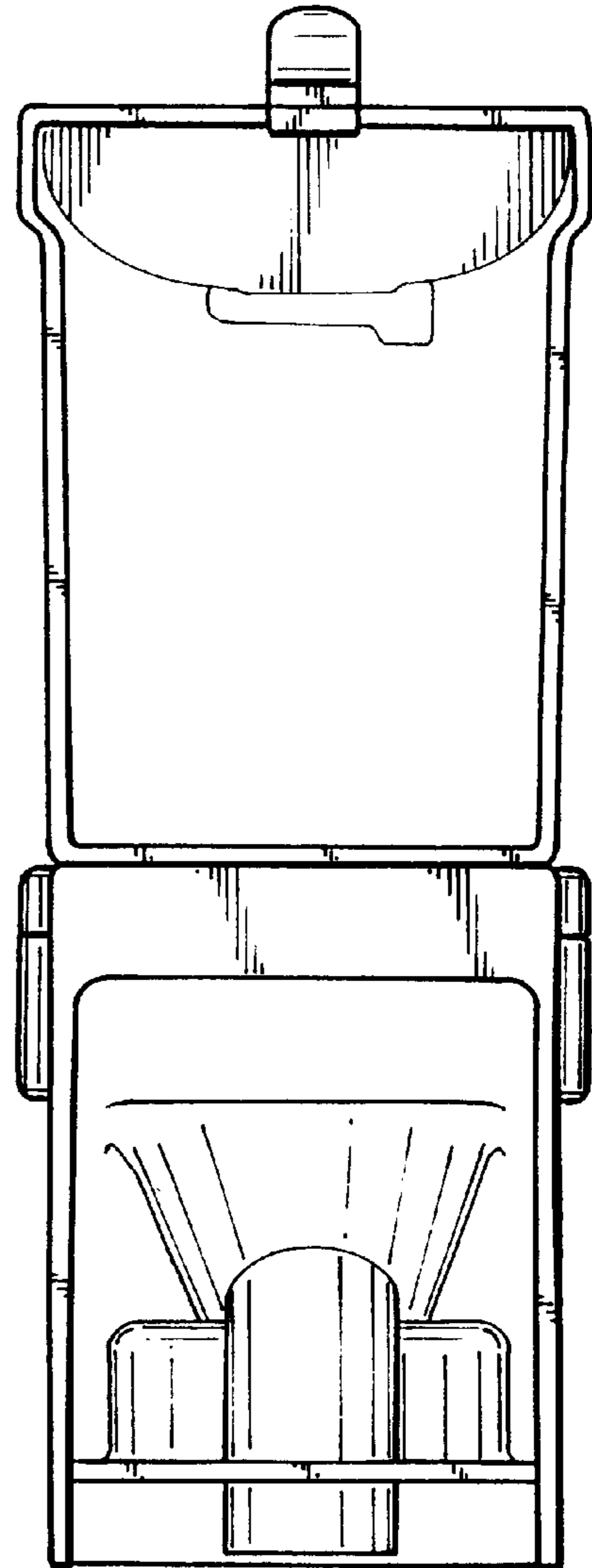


FIG. 4

FIG. 5

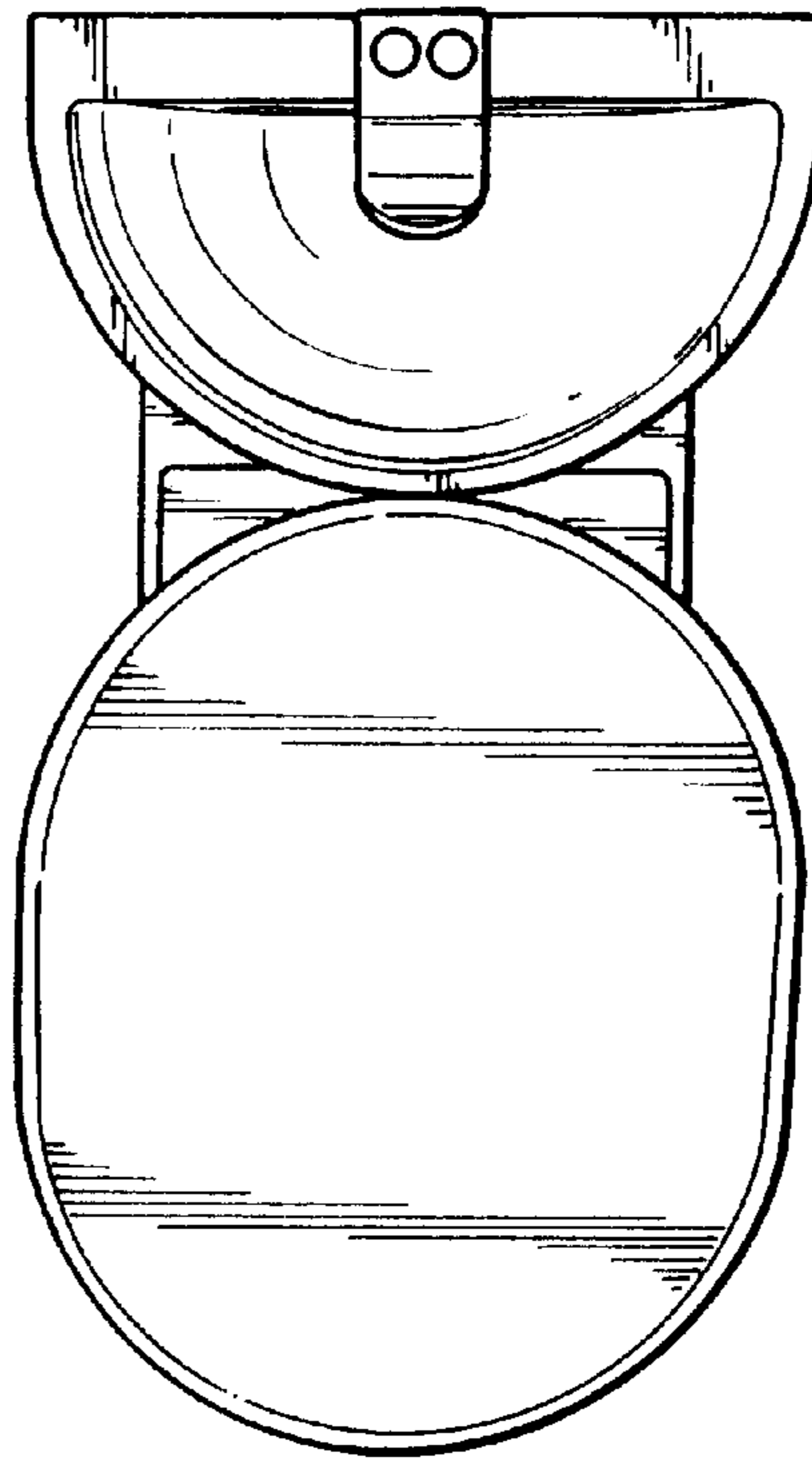


FIG. 6

