



US00D469518S

(12) **United States Design Patent**
Bates et al.

(10) **Patent No.:** **US D469,518 S**

(45) **Date of Patent:** **** Jan. 28, 2003**

(54) **SPOUT**

(75) Inventors: **Michael R. Bates**, Sheboygan, WI (US); **Raul M. Paredes**, Kohler, WI (US)

(73) Assignee: **Kohler Co.**, Kohler, WI (US)

(**) Term: **14 Years**

(21) Appl. No.: **29/154,817**

(22) Filed: **Jan. 29, 2002**

(51) **LOC (7) Cl.** **23-01**

(52) **U.S. Cl.** **D23/257; D23/255**

(58) **Field of Search** **D23/238-243, D23/250-257; 4/675-678; 137/801**

(56) **References Cited**

U.S. PATENT DOCUMENTS

D284,992 S	*	8/1986	Joerger	D23/242
D373,619 S	*	9/1996	Doughty et al.	D23/242
D378,123 S	*	2/1997	Warshawsky	D23/242
D407,801 S	*	4/1999	Kolada	D23/257
D421,642 S	*	3/2000	Ko	D23/255

* cited by examiner

Primary Examiner—Louis S. Zarfaz
Assistant Examiner—Gregory Andoll

(74) *Attorney, Agent, or Firm*—Quarles & Brady LLP

(57) **CLAIM**

The ornamental design for a spout, as shown and described.

DESCRIPTION

In a preferred embodiment, the nature of this product is as a spout for a plumbing fixture in the form of a faucet which is primarily useful for washing the body parts of humans.

FIG. 1 is a left, top, front perspective view of a spout embodying our new design;

FIG. 2 is a left side elevational view thereof, the right side elevational view being a mirror image of the left side shown;

FIG. 3 is a front elevational view thereof;

FIG. 4 is a rear elevational view thereof;

FIG. 5 is a top plan view thereof;

FIG. 6 is a bottom plan view thereof;

FIG. 7 is a left, top, front perspective view of a second embodiment, the front elevational view being identical to that shown in FIG. 3 and the bottom plan view being identical to that shown in FIG. 6;

FIG. 8 is a left side elevational view, the right side elevational view being a mirror image of the left side shown;

FIG. 9 is a rear elevational view thereof; and,

FIG. 10 is a top plan view thereof.

The broken line representations of a hole in FIGS. 9 and 10, and of mounting structure in FIG. 6, are for the purpose of illustration only, and form no part of the claimed design.

1 Claim, 5 Drawing Sheets

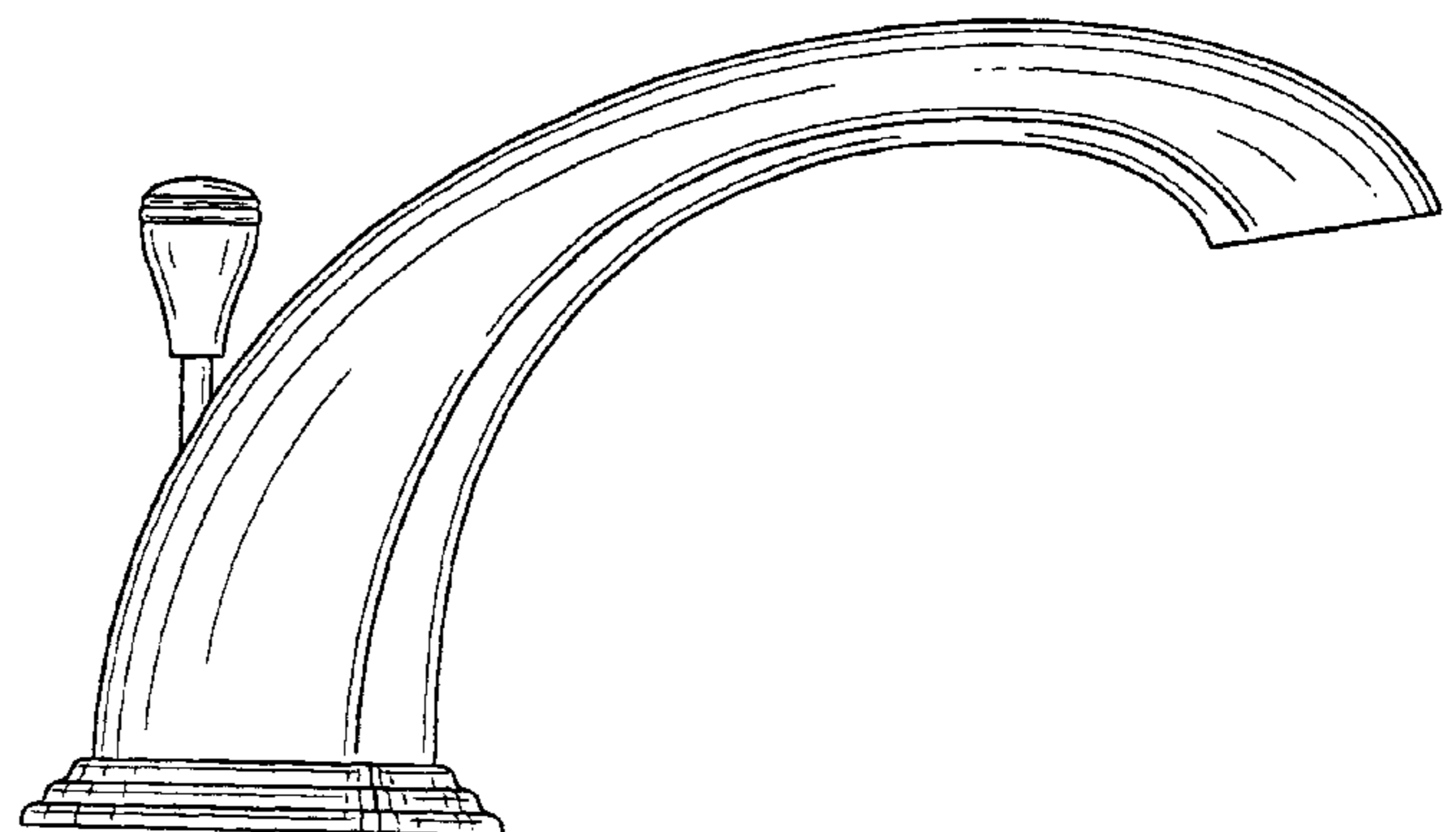
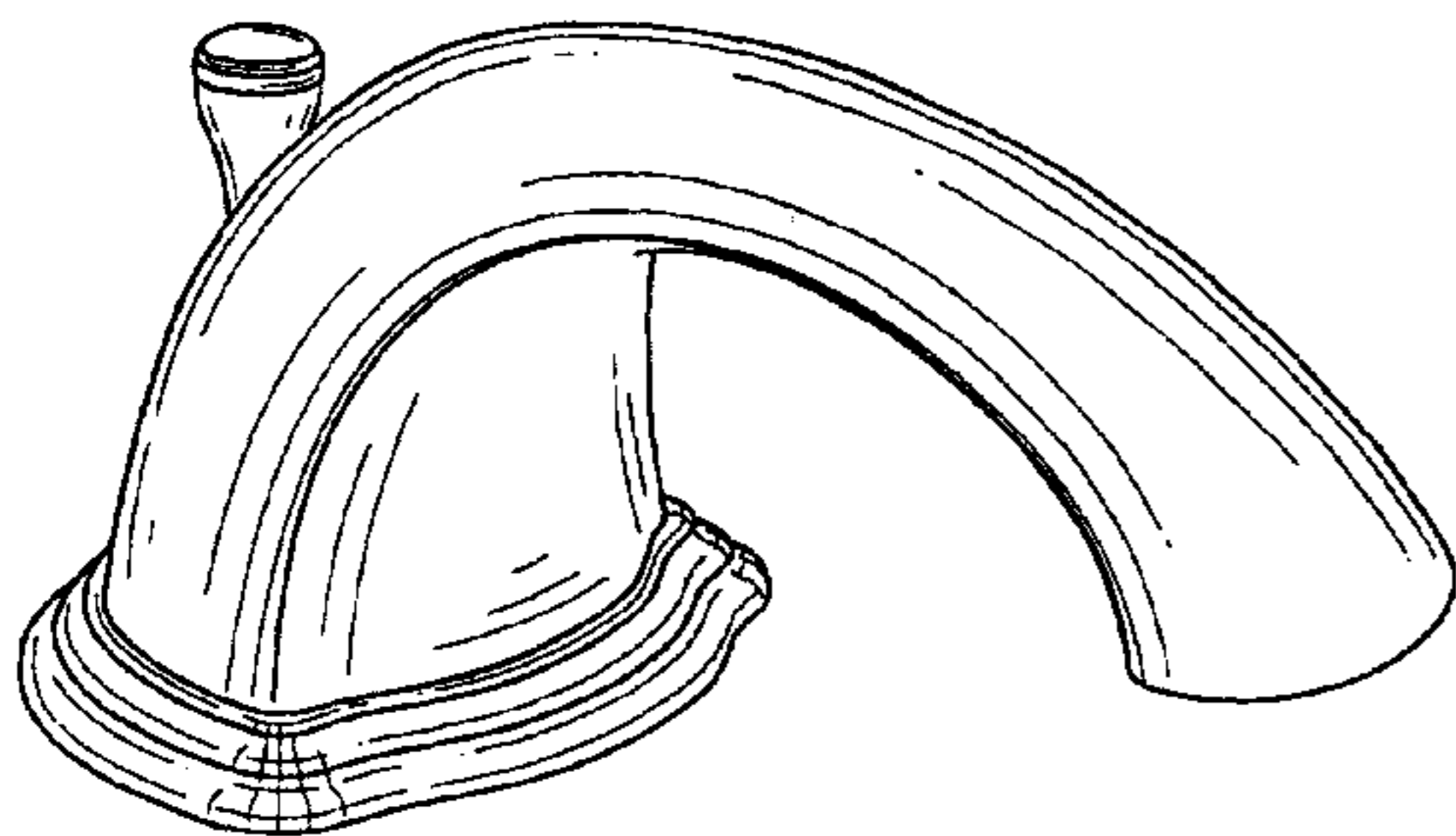


FIG. 1

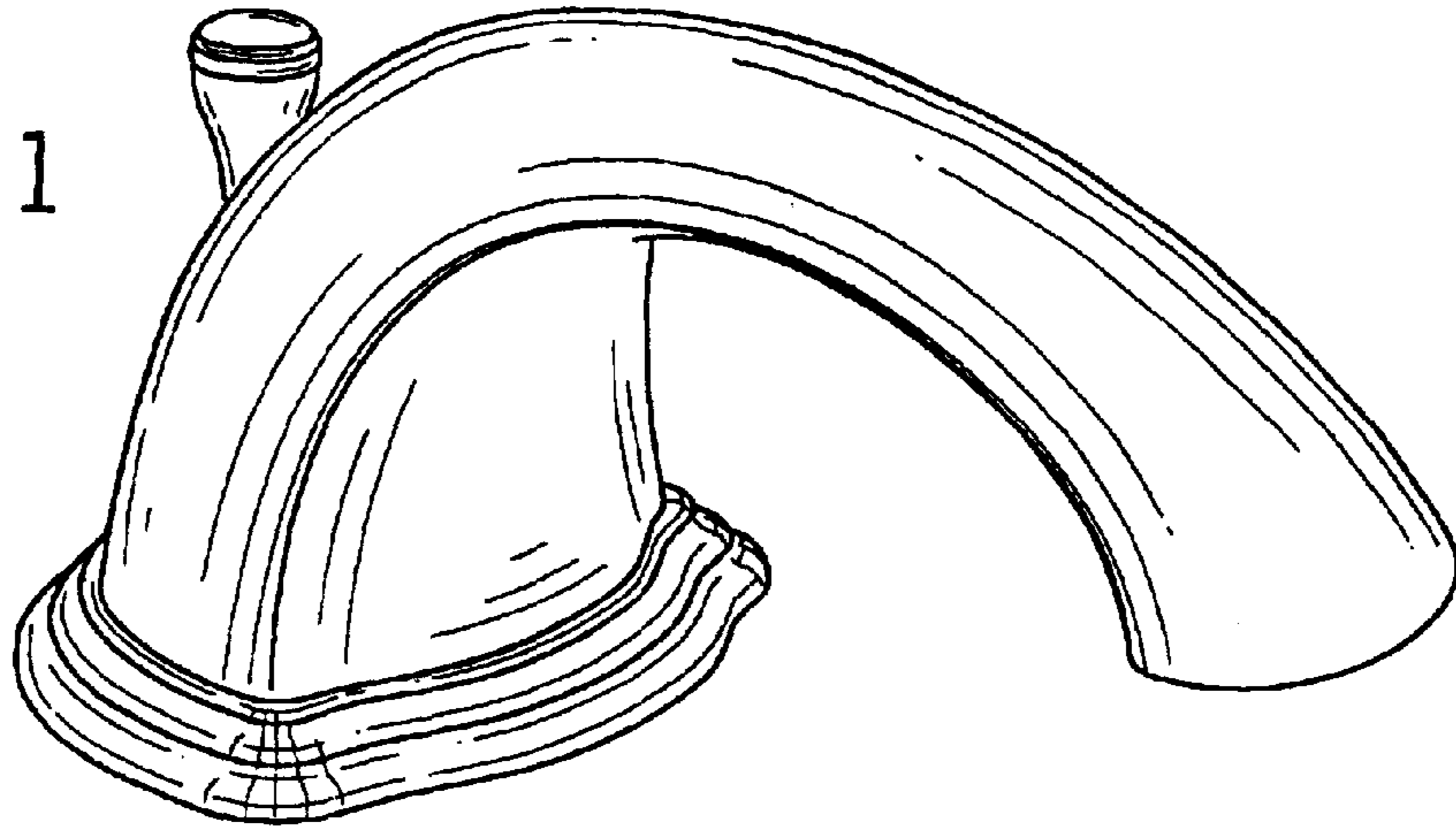


FIG. 2

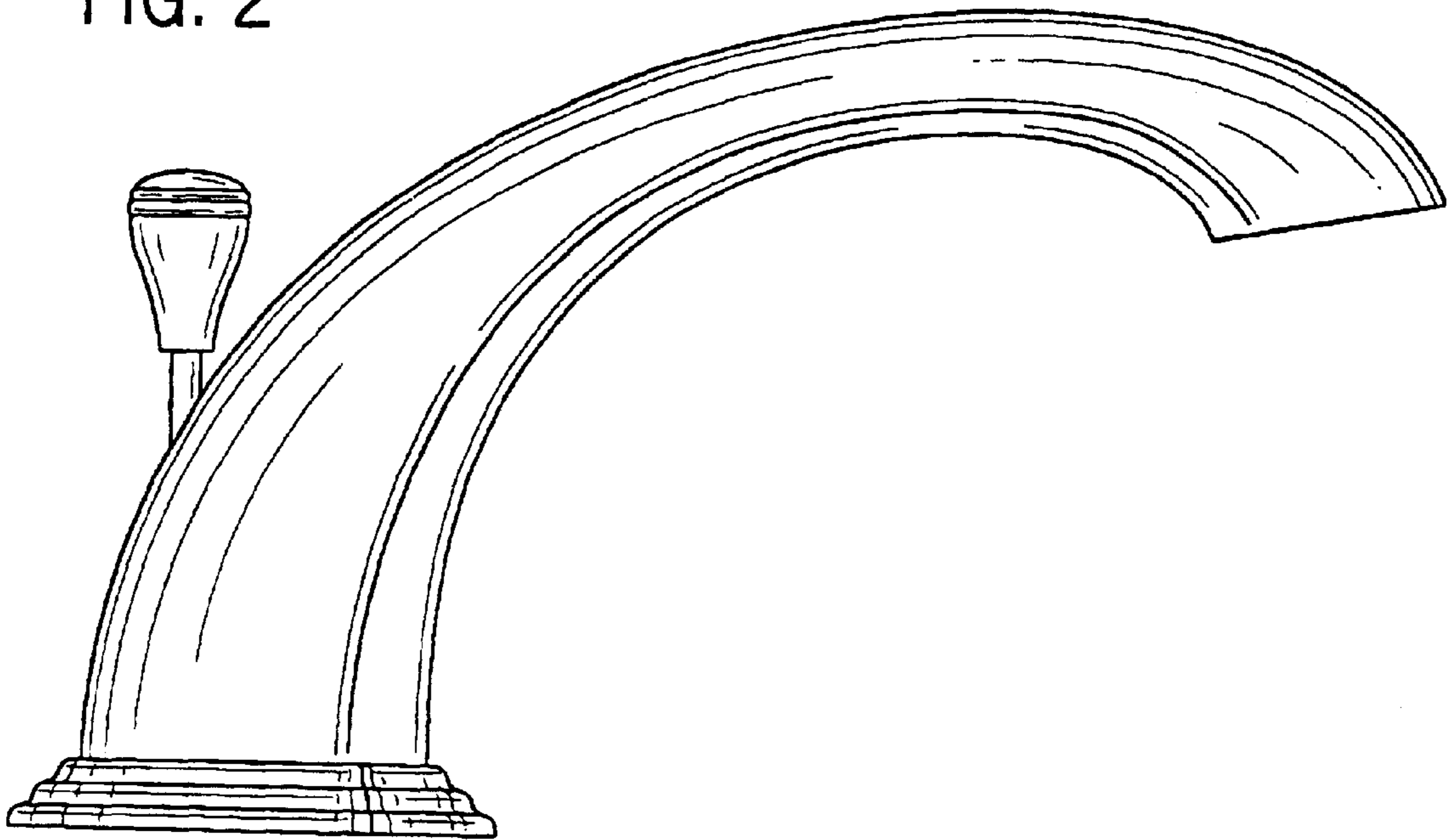


FIG. 3

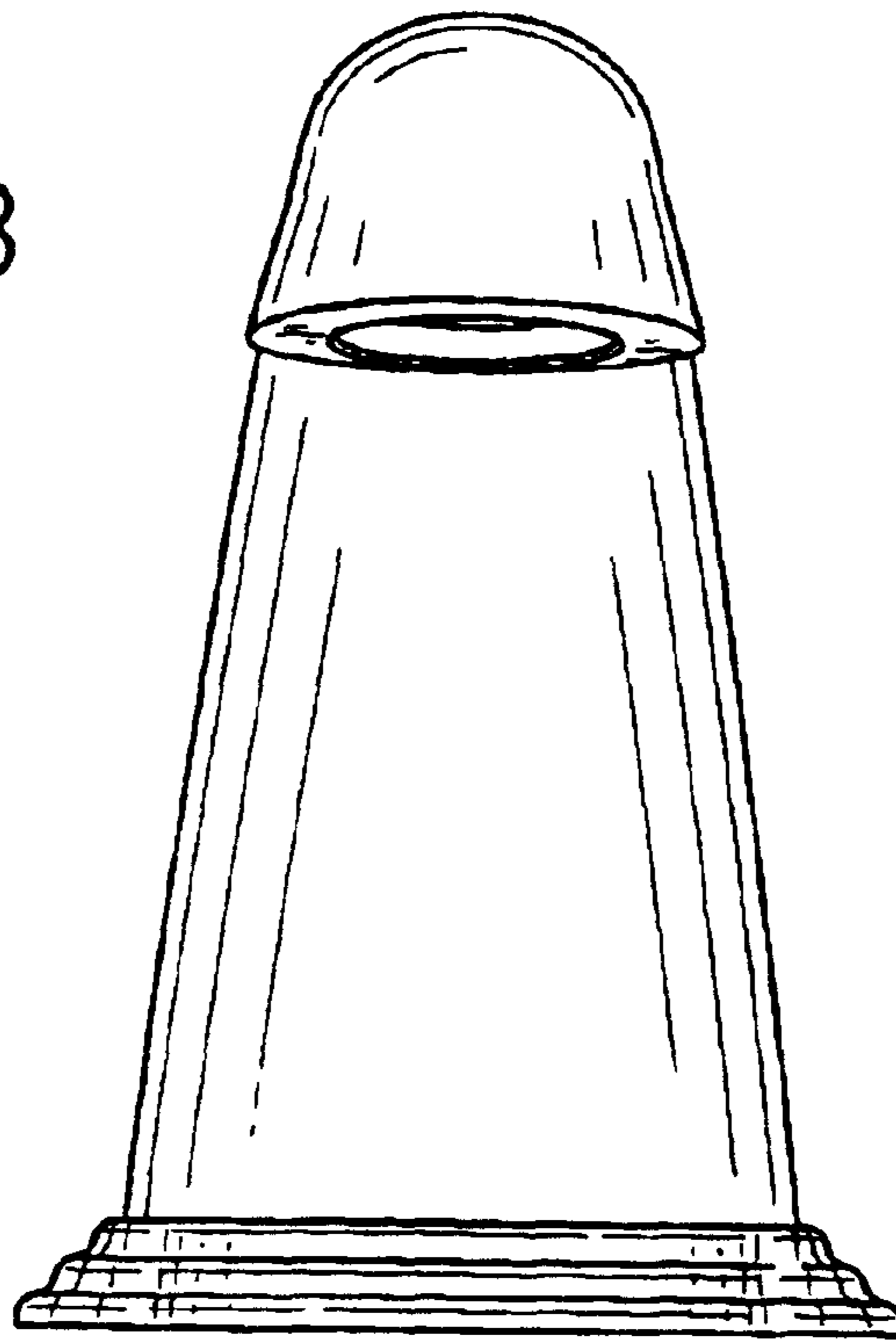


FIG. 4

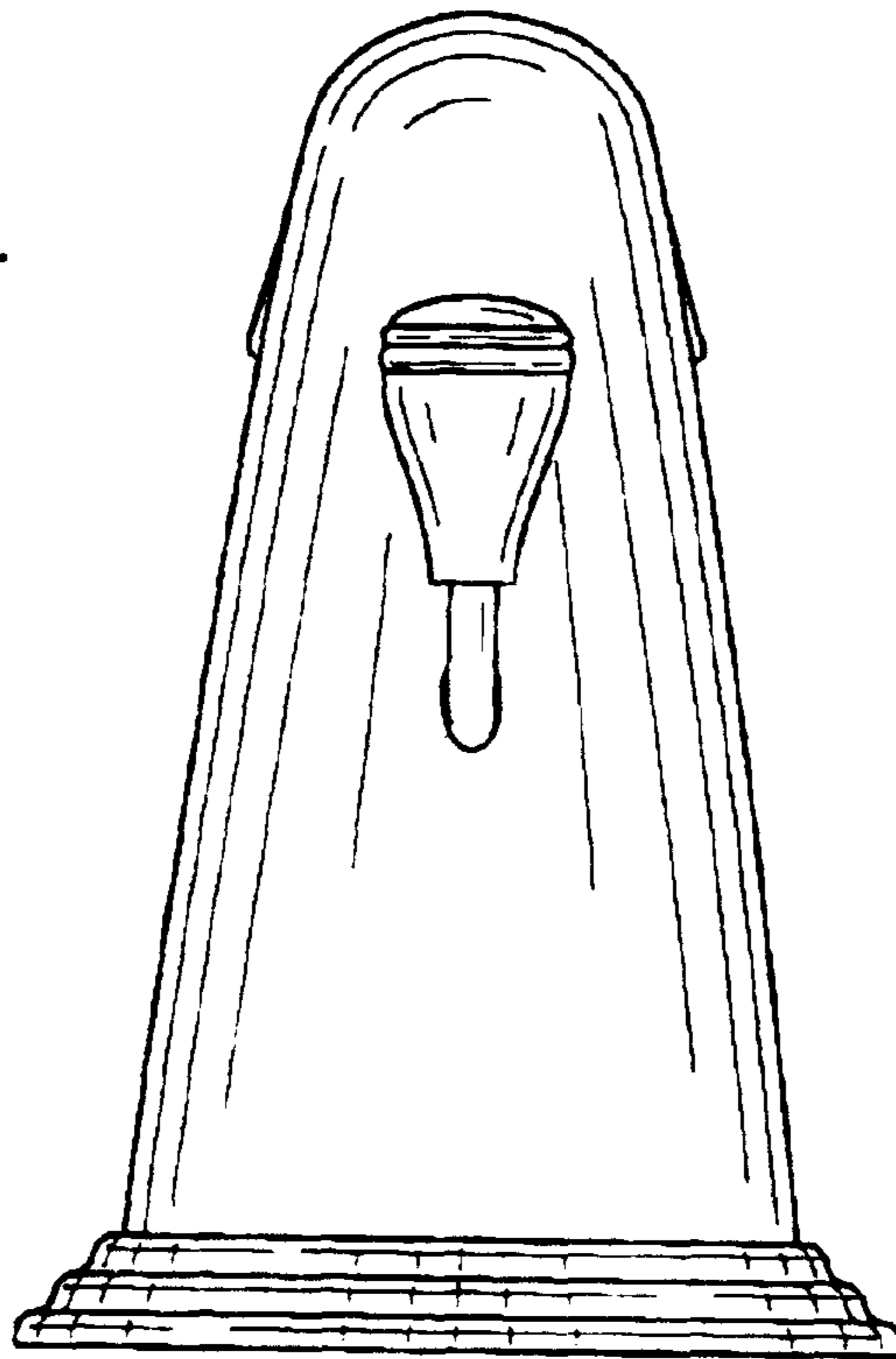


FIG. 5

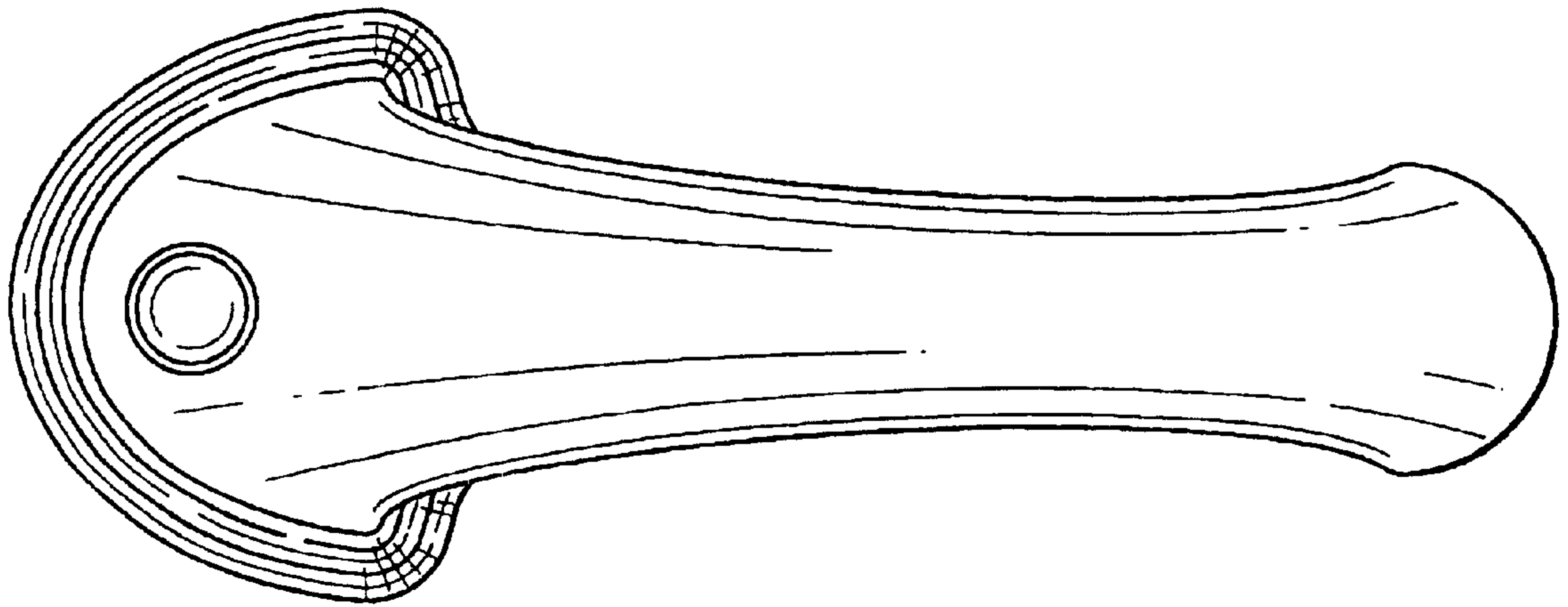


FIG. 6

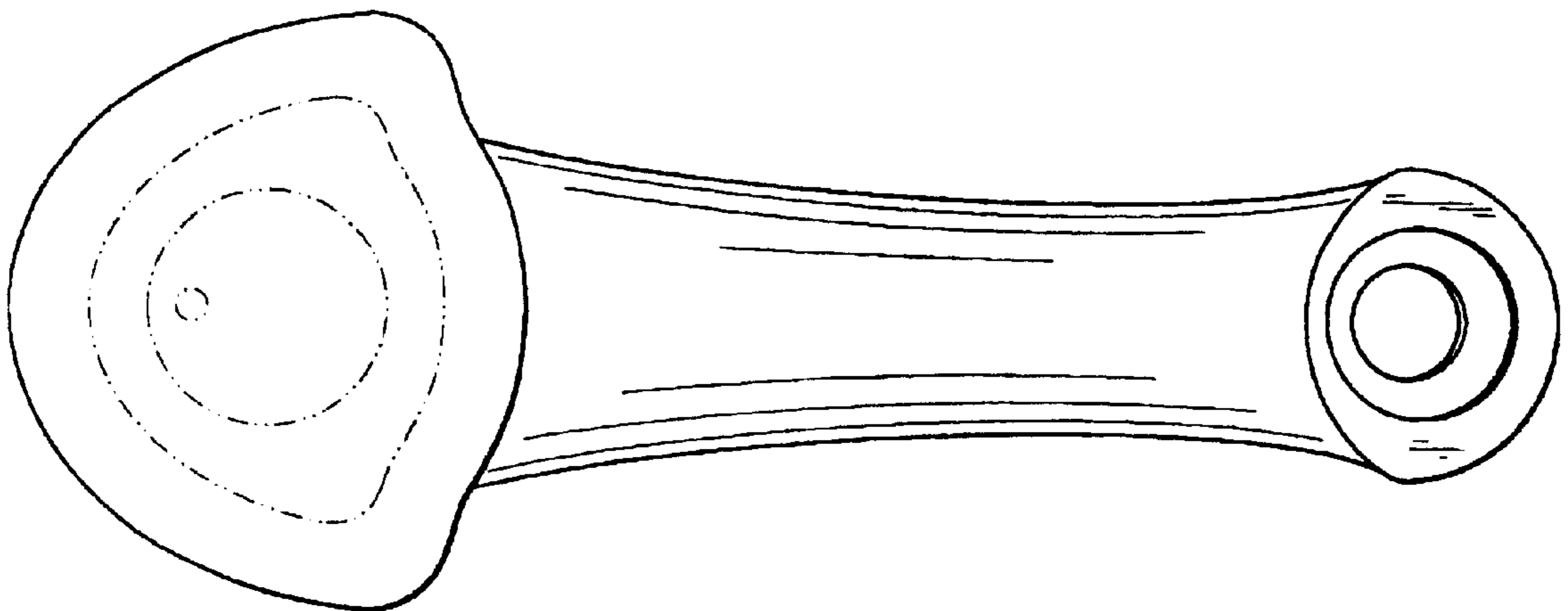


FIG. 7

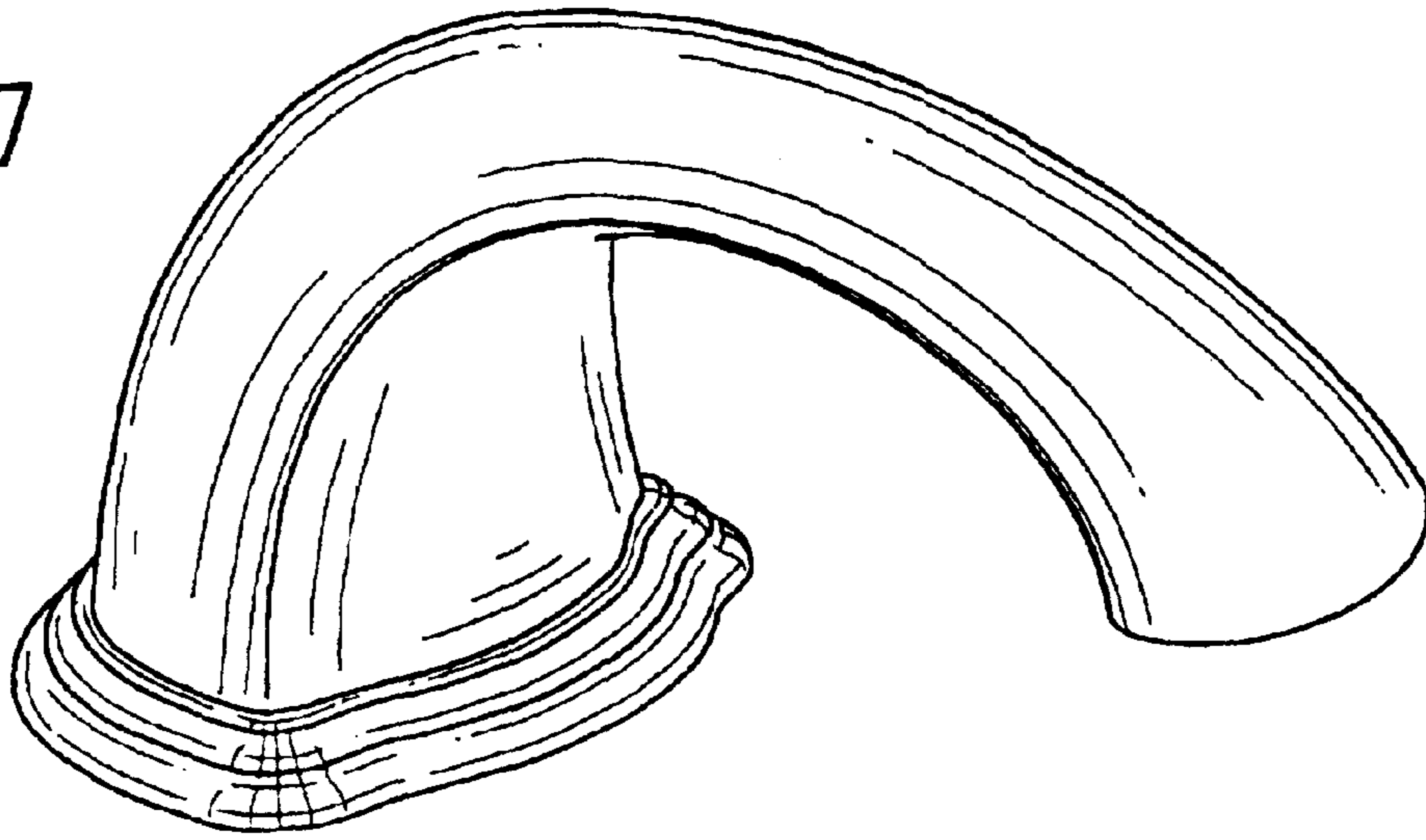


FIG. 8

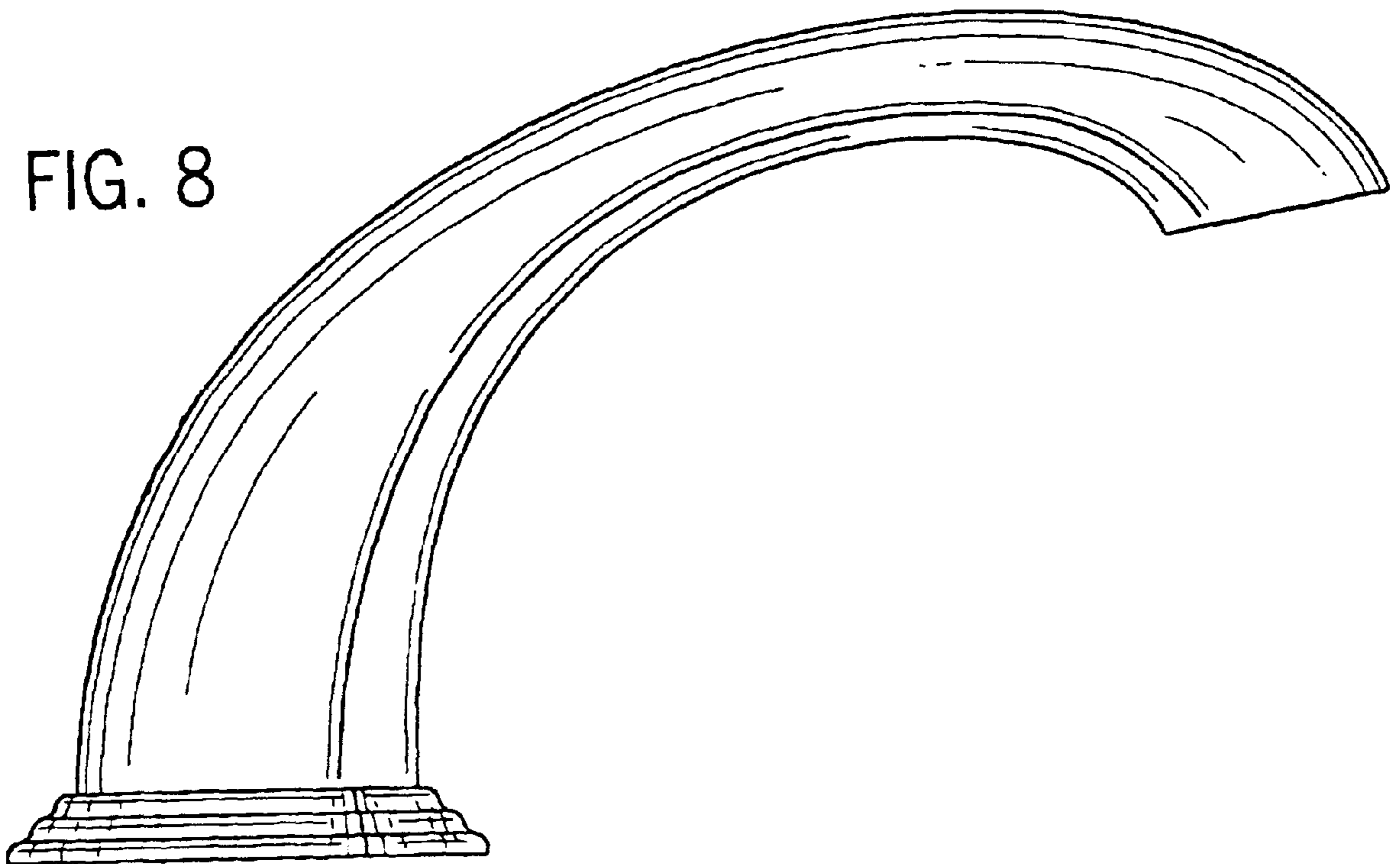


FIG. 9

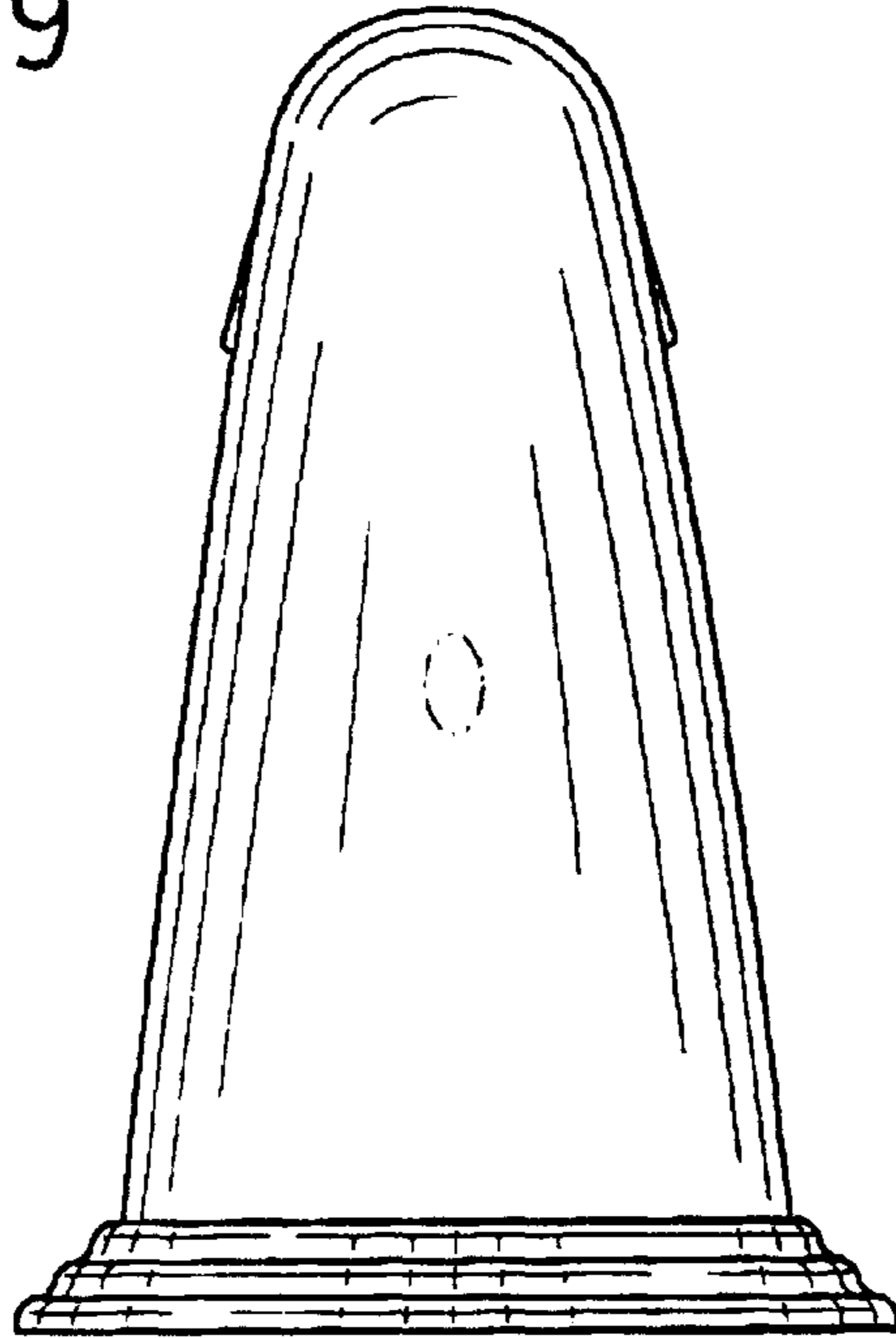


FIG. 10

