



US00D469517S

(12) **United States Design Patent**
Bouilloux et al.

(10) **Patent No.:** **US D469,517 S**

(45) **Date of Patent:** **** Jan. 28, 2003**

(54) **SPOUT**

(75) Inventors: **Christian Bouilloux**, Montmerle sur Saone (FR); **Emmanuel Delarue**, Lyons (FR)

(73) Assignee: **American Standard Inc.**, Piscataway, NJ (US)

(**) Term: **14 Years**

(21) Appl. No.: **29/156,330**

(22) Filed: **Feb. 26, 2002**

(51) **LOC (7) Cl.** **23-01**

(52) **U.S. Cl.** **D23/255**

(58) **Field of Search** D23/238-257;
D8/300-312, DIG. 3; 4/675-678; 16/110 R-125;
137/801

(56) **References Cited**

U.S. PATENT DOCUMENTS

D219,740 S * 1/1971 Neiman D23/255

D227,467 S * 6/1973 Genaro et al. D23/255

D349,326 S * 8/1994 Bollenbacher D23/238

D462,749 S * 9/2002 Lord D23/255

* cited by examiner

Primary Examiner—Louis S. Zarfaz

Assistant Examiner—Gregory Andoll

(57) **CLAIM**

The ornamental design for a spout, as shown and described.

DESCRIPTION

FIG. 1 is a perspective view of a spout showing our new design;

FIG. 2 is a top plan view thereof;

FIG. 3 is a front elevational view thereof;

FIG. 4 is a left-side elevational view thereof;

FIG. 5 is a right-side elevational view thereof;

FIG. 6 is a rear elevational view thereof; and,

FIG. 7 is a bottom plan view thereof.

The broken lines in the Figures are for illustrative purposes only and form no part of the claimed design.

1 Claim, 7 Drawing Sheets

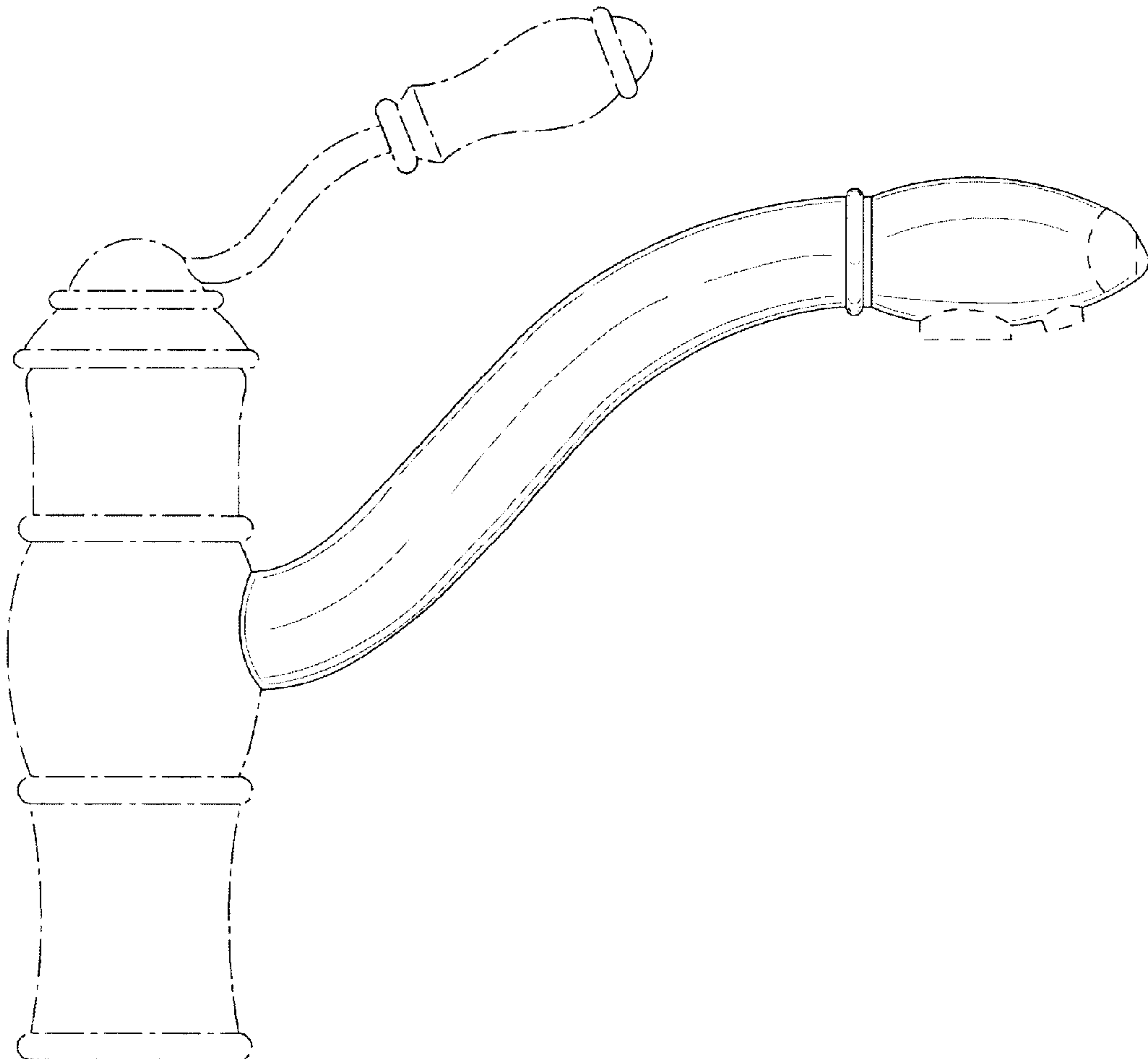


FIG. 1

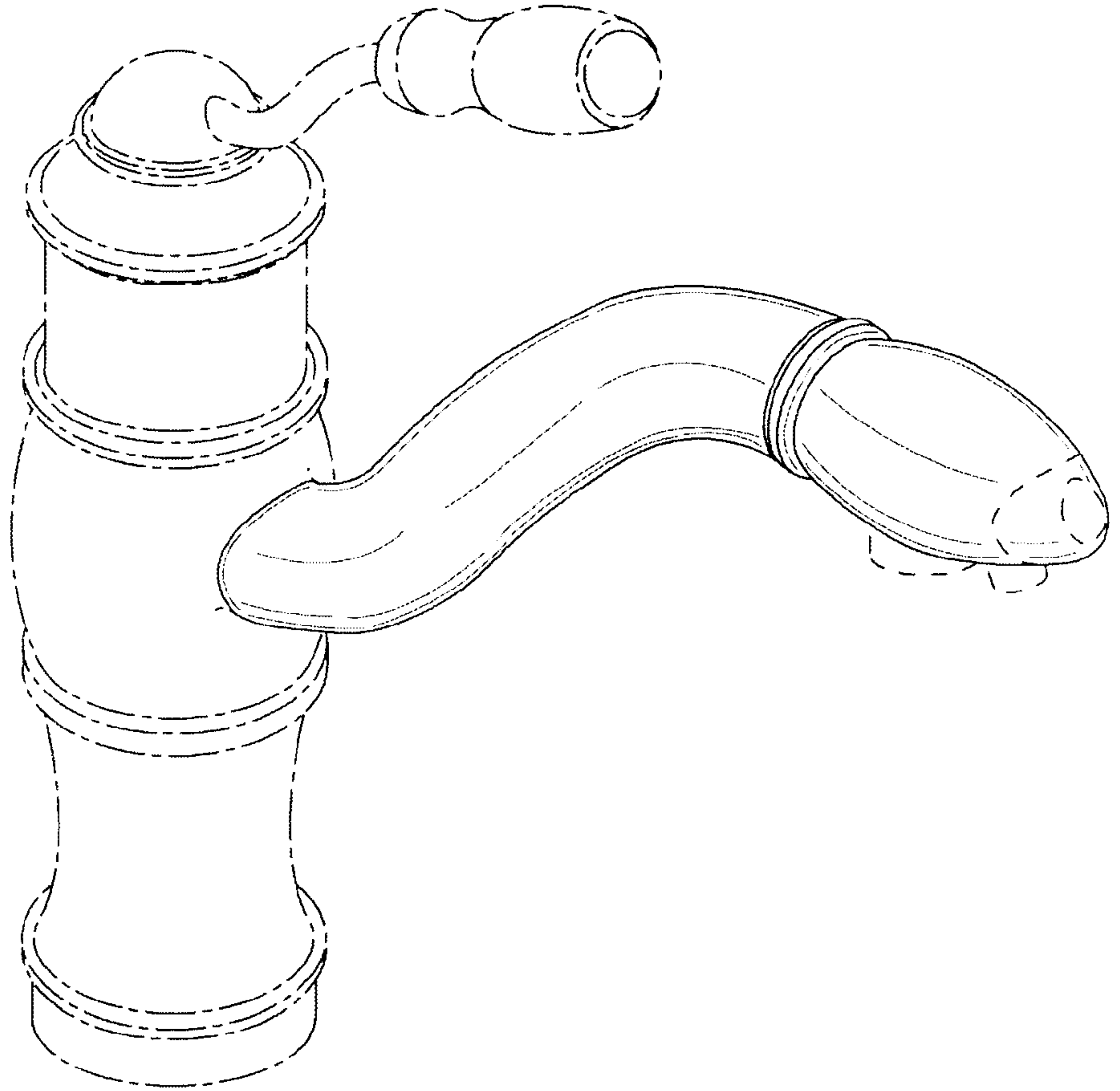


FIG. 2

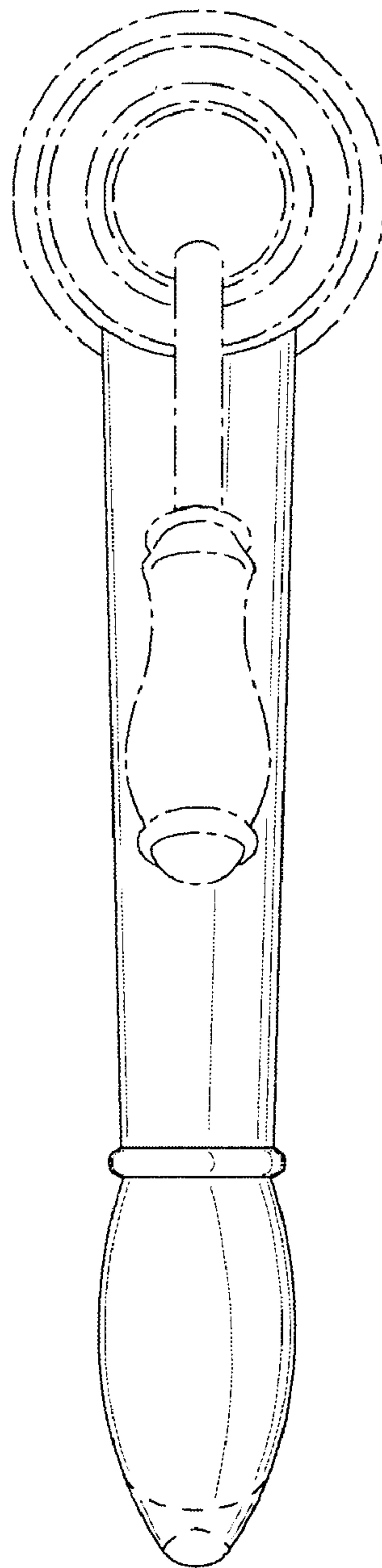


FIG. 3

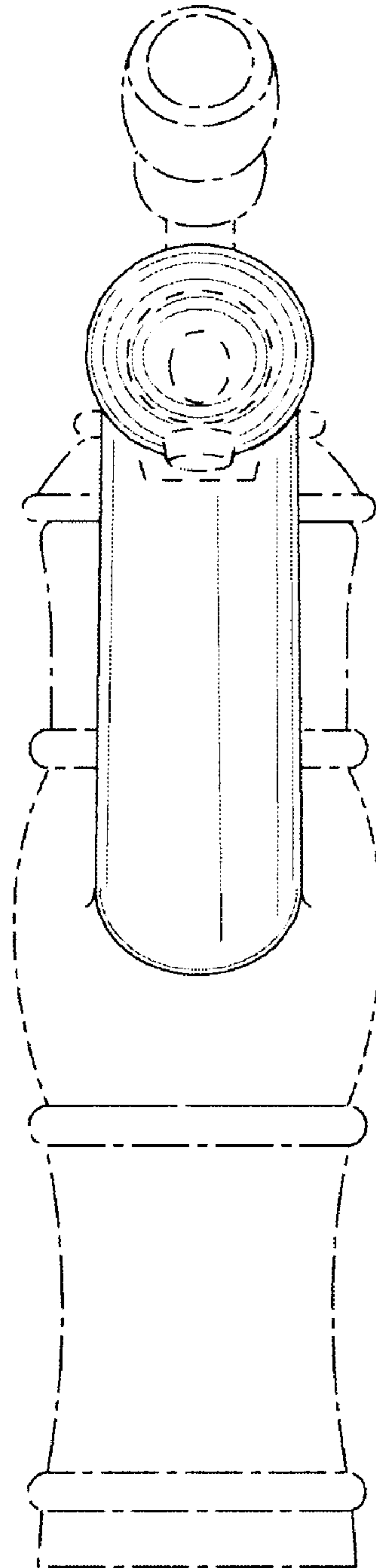


FIG. 4

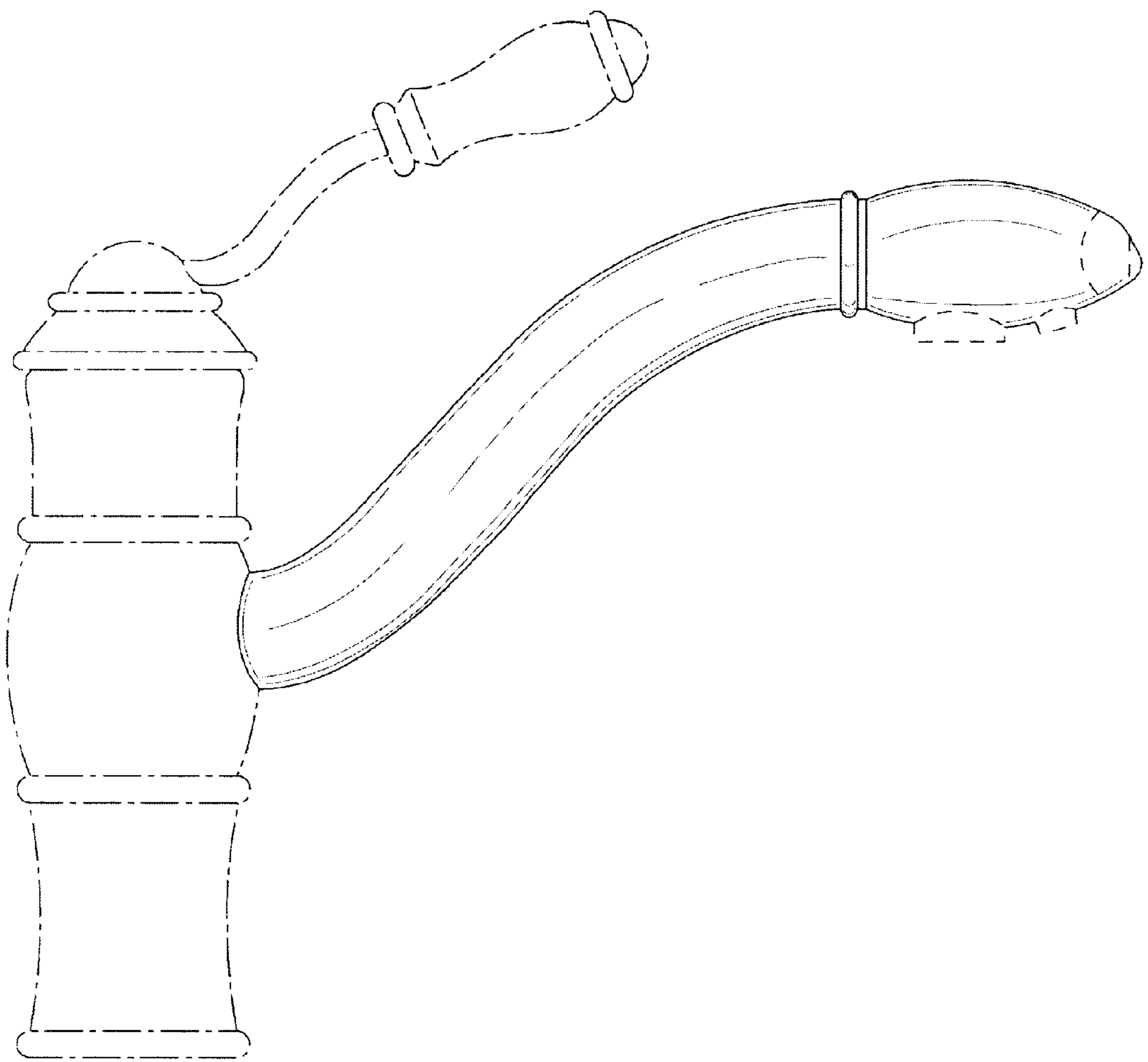


FIG. 5

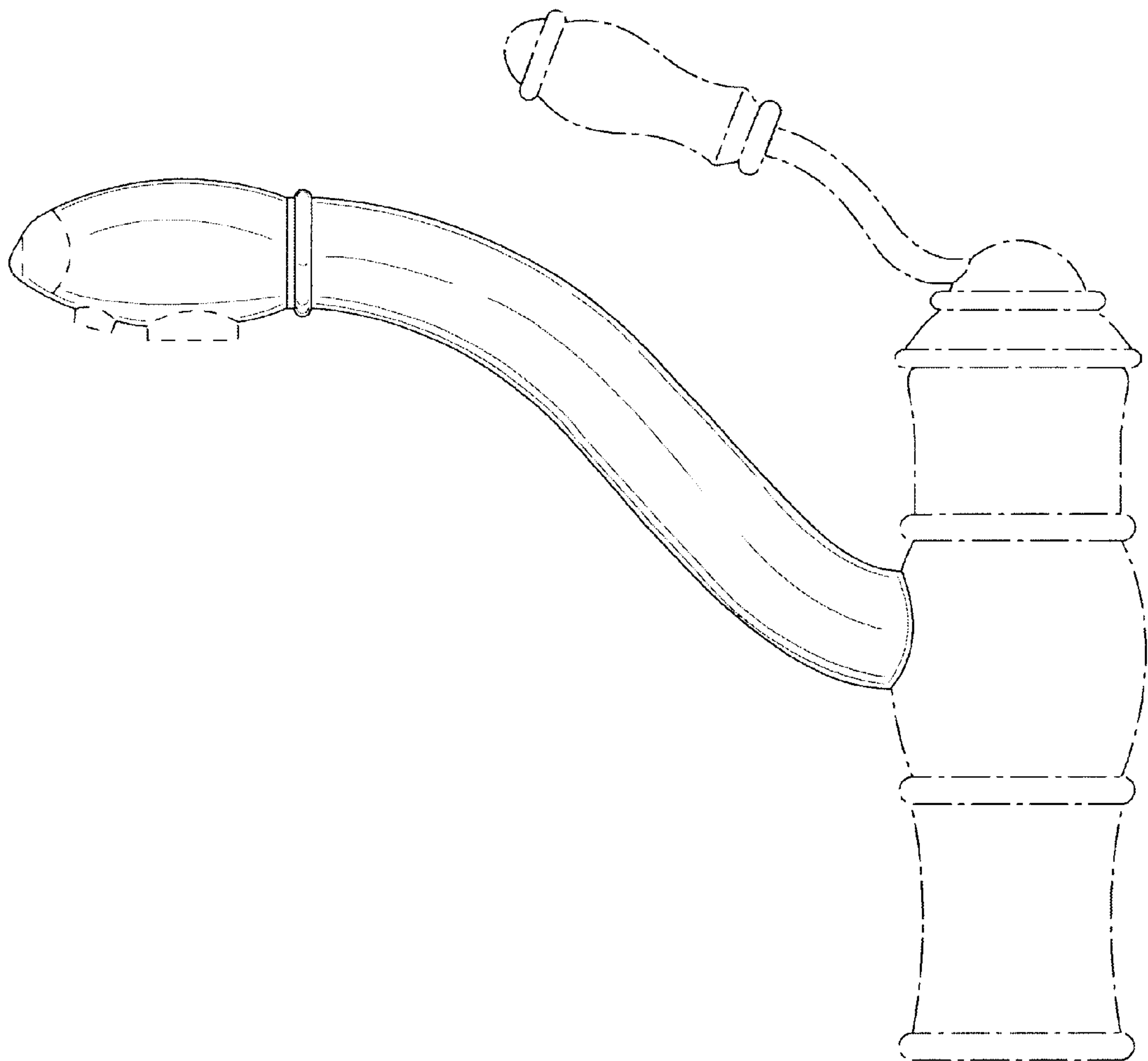


FIG. 6

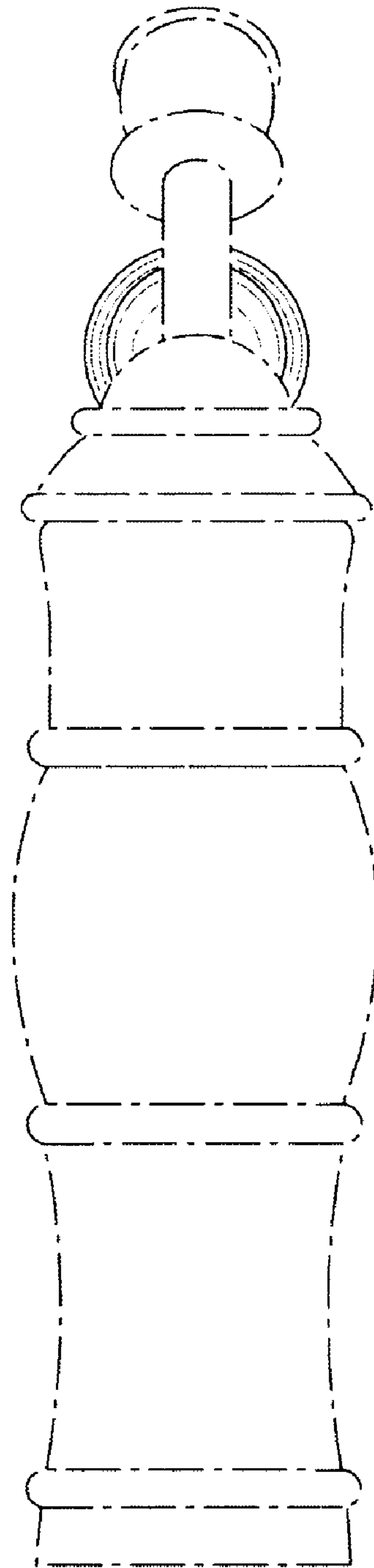


FIG. 7

