



US00D469507S

(12) **United States Design Patent**
Marshall

(10) **Patent No.:** **US D469,507 S**

(45) **Date of Patent:** **** Jan. 28, 2003**

(54) **SANITARY FITTING, ESPECIALLY
KITCHEN FAUCET**

D442,264 S * 5/2001 Mullenmeiser D23/252
D447,541 S * 9/2001 Dretzka D23/243
D460,534 S * 7/2002 Hanna et al. D23/252

(75) Inventor: **Chris Marshall**, Cumming, GA (US)

OTHER PUBLICATIONS

(73) Assignee: **Hansgrohe AG**, Schiltach (DE)

2000 Moen Price Catalog, pp. 40–41, 44–45 (1999).
Catalog, BÄDER 2001, 6 pages (2000).
Product Portfolio, Price Pfister, 6 pages (1999).

(**) Term: **14 Years**

* cited by examiner

(21) Appl. No.: **29/158,415**

Primary Examiner—Louis S. Zarfes
Assistant Examiner—Gregory Andoll
(74) *Attorney, Agent, or Firm*—Duane Morris LLP

(22) Filed: **Apr. 4, 2002**

(51) **LOC (7) Cl.** **23-01**

(52) **U.S. Cl.** **D23/242**

(58) **Field of Search** D23/238–243,
D23/250–257; 4/675–678; 137/801

(57) **CLAIM**

The ornamental design for a sanitary fitting, especially kitchen faucet, as shown and described.

(56) **References Cited**

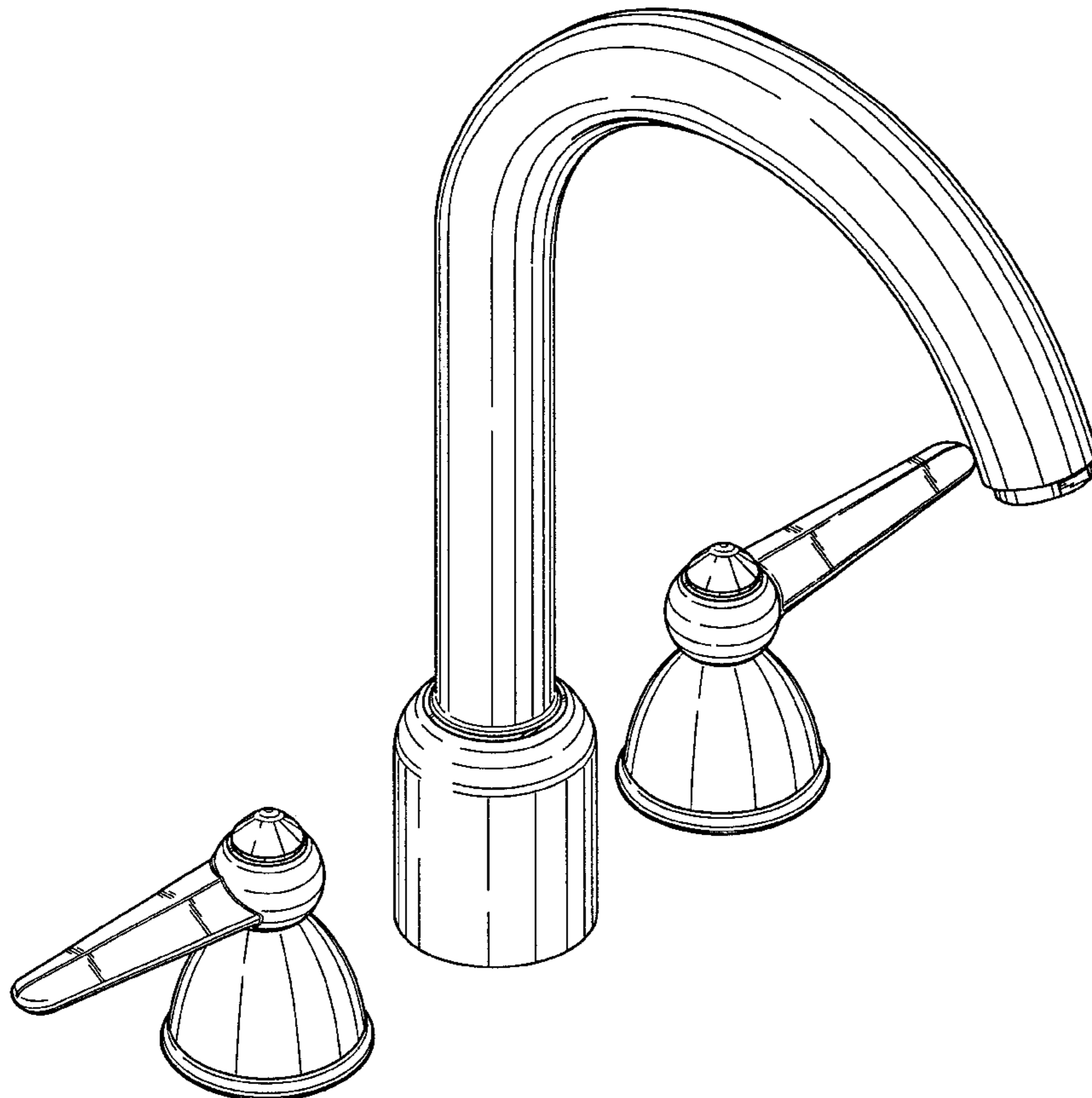
DESCRIPTION

U.S. PATENT DOCUMENTS

D276,259 S	*	11/1984	Miller	D23/241
D373,179 S	*	8/1996	Sieger	D23/241
D384,132 S	*	9/1997	Doughty et al.	D23/241
D392,720 S	*	3/1998	Doughty et al.	D23/250
D404,470 S	*	1/1999	Pitsch et al.	D23/252
D406,323 S	*	3/1999	Snyder	D23/255
D406,876 S	*	3/1999	Ko	D23/241
D409,288 S	*	5/1999	Hyde	D23/250
D418,580 S	*	1/2000	Warshawsky et al.	D23/242
D430,650 S	*	9/2000	Graves	D23/242
D439,954 S	*	4/2001	Spangler	D23/250

FIG. 1: is a side perspective view of a sanitary fitting, especially kitchen faucet showing my new design;
FIG. 2: is a front elevation view thereof;
FIG. 3: is a side elevation view thereof, the opposite side being a mirror image;
FIG. 4: is a rear elevation view thereof;
FIG. 5: is a top plan view thereof; and,
FIG. 6: is a bottom plan view thereof.

1 Claim, 6 Drawing Sheets



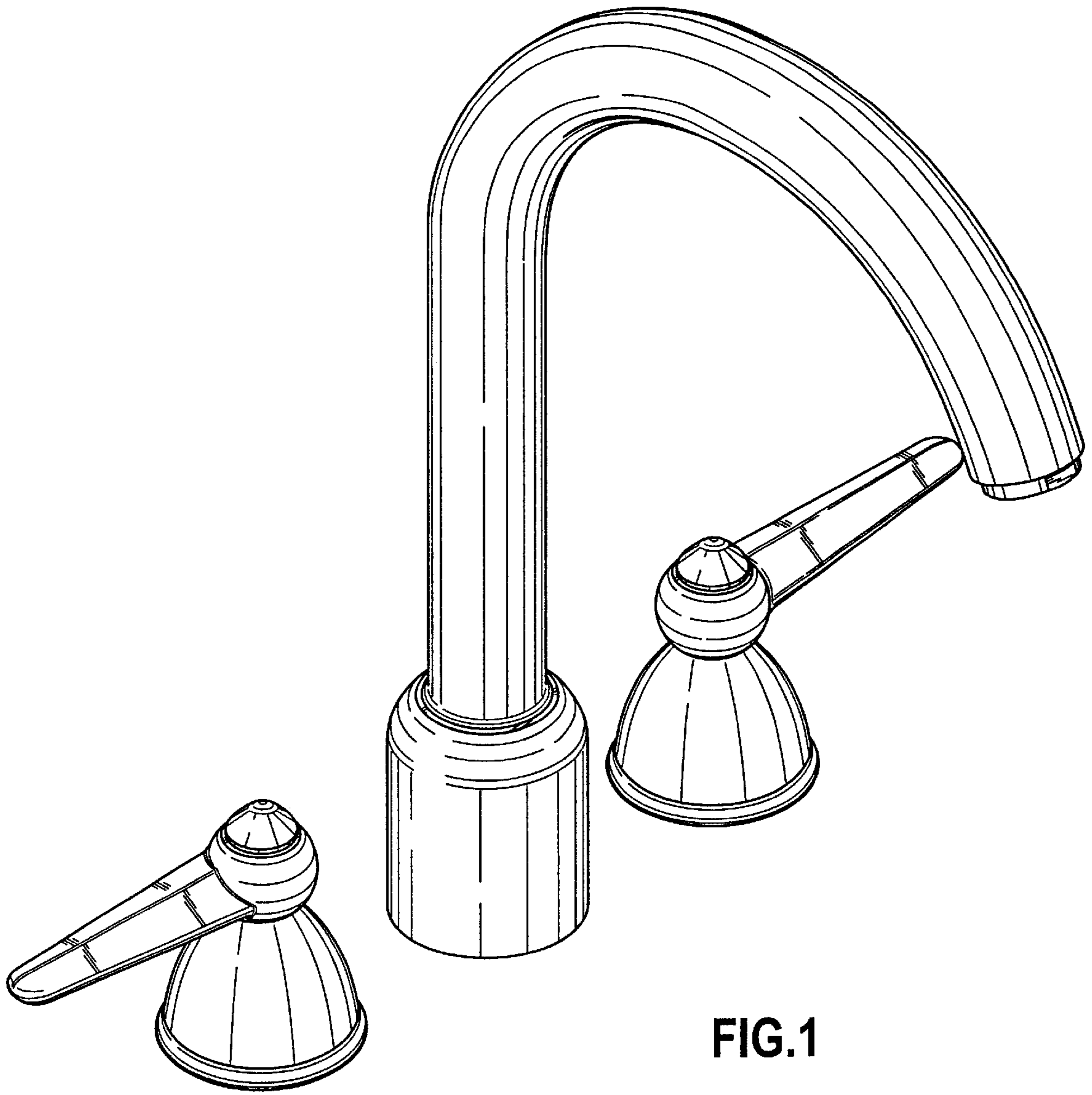


FIG.1

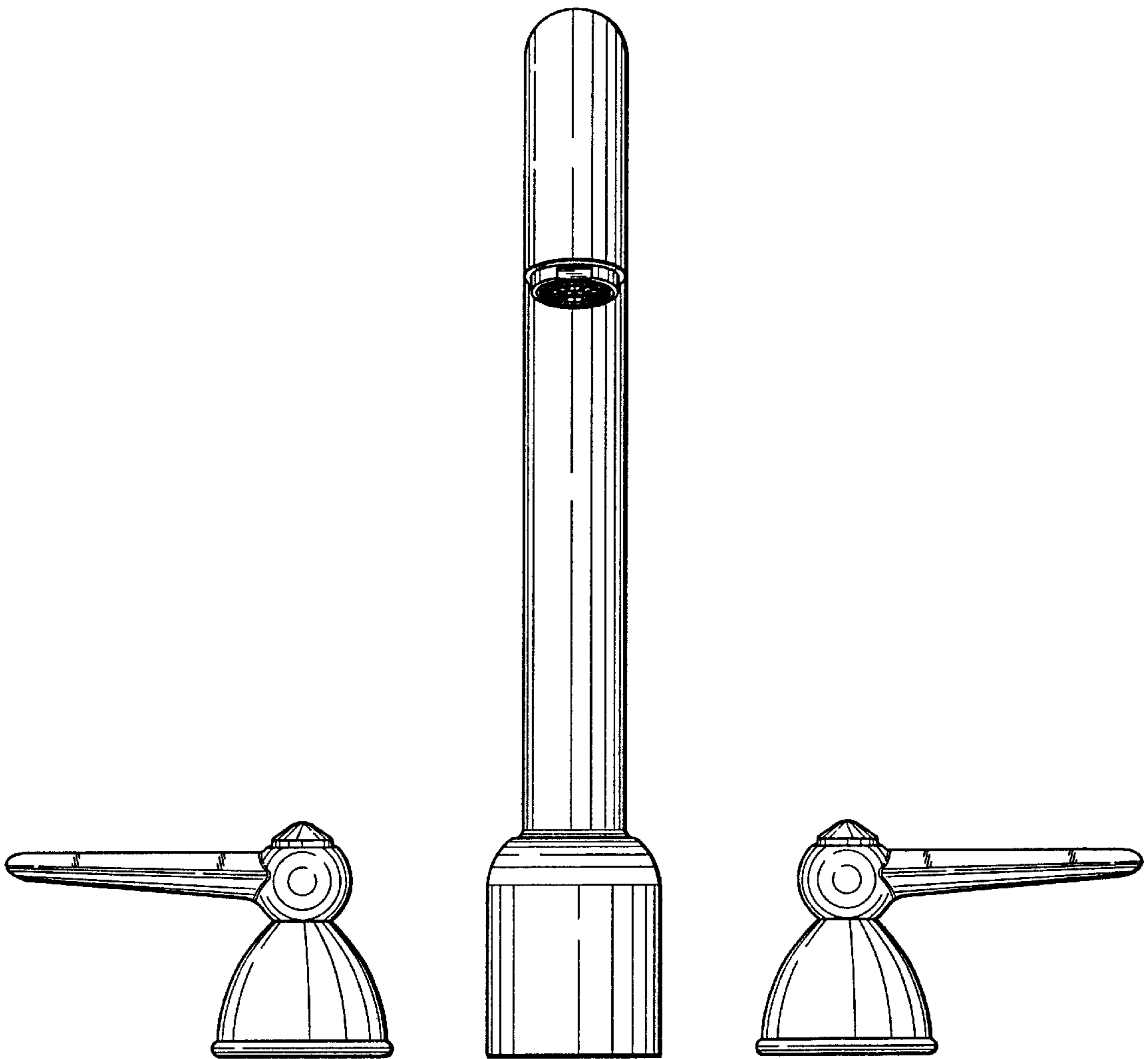


FIG.2

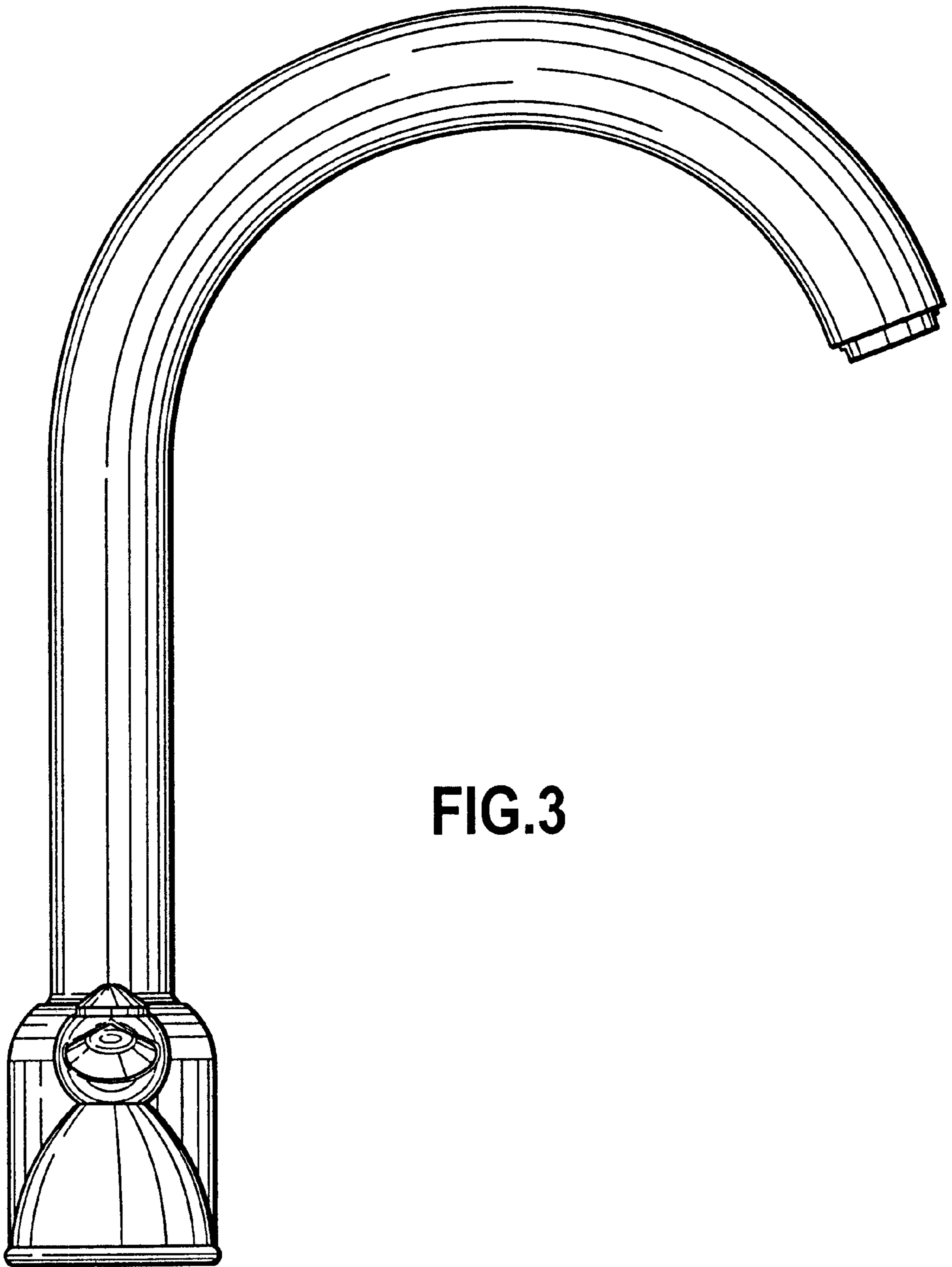


FIG. 3

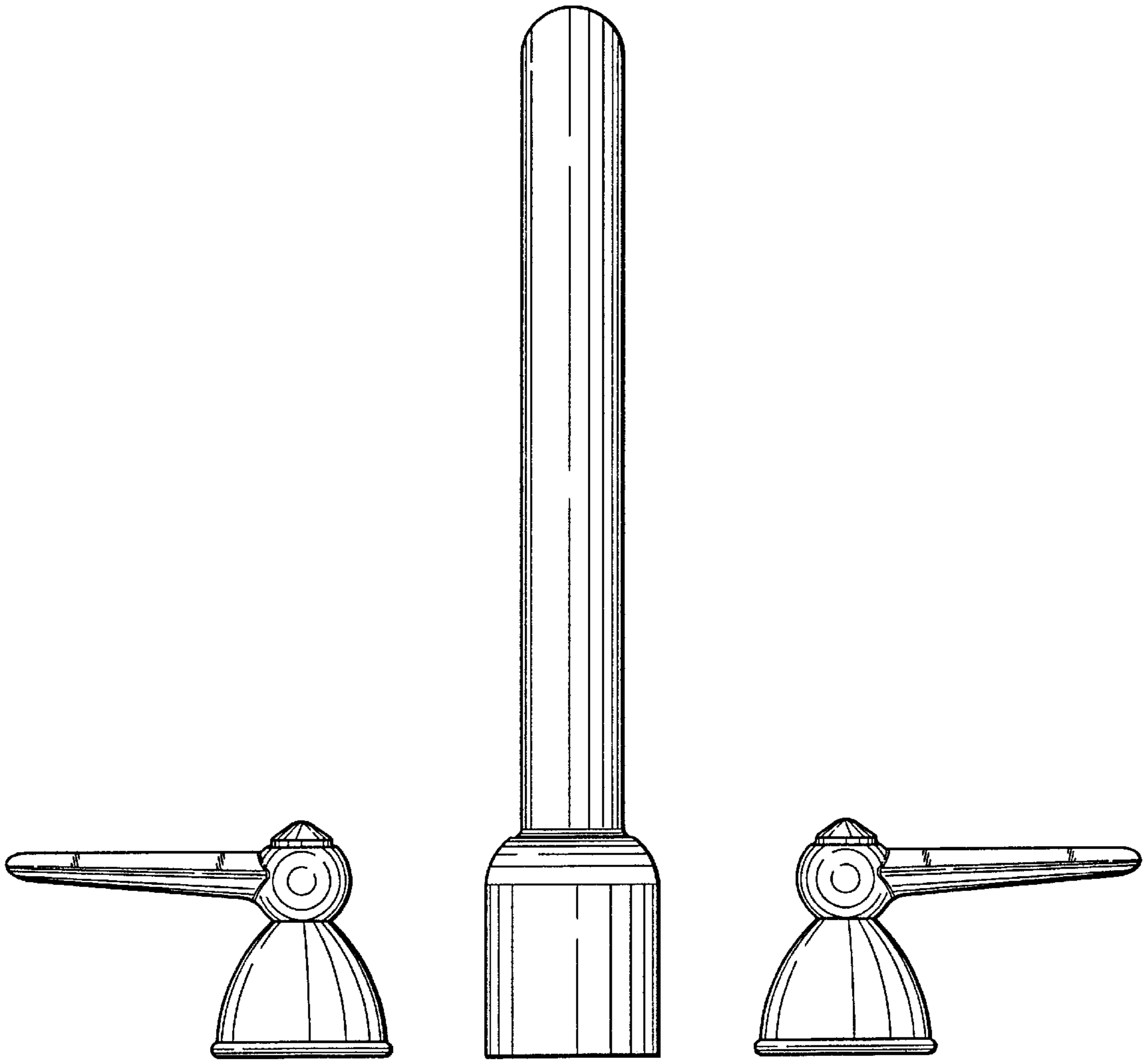
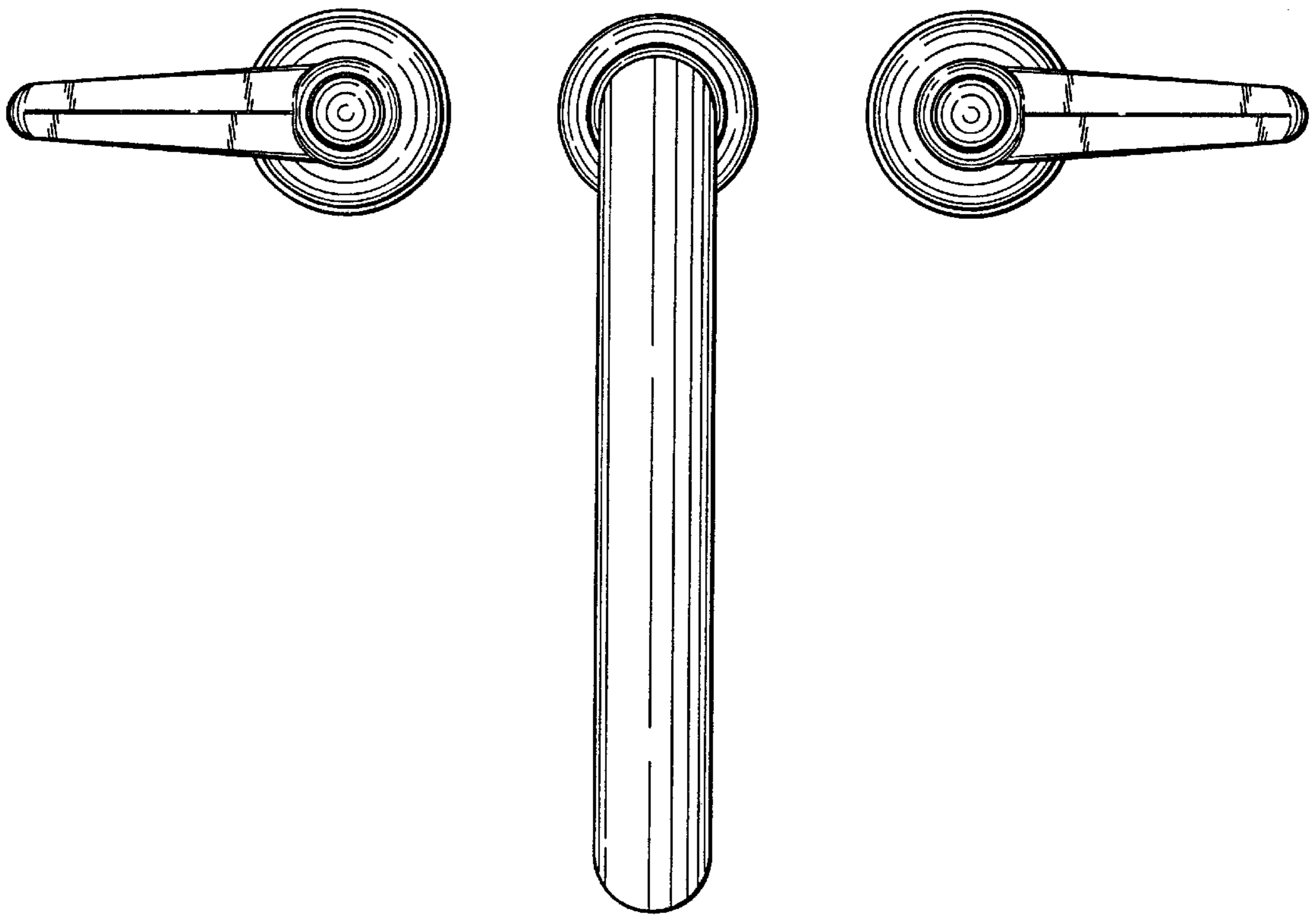


FIG.4

FIG.5



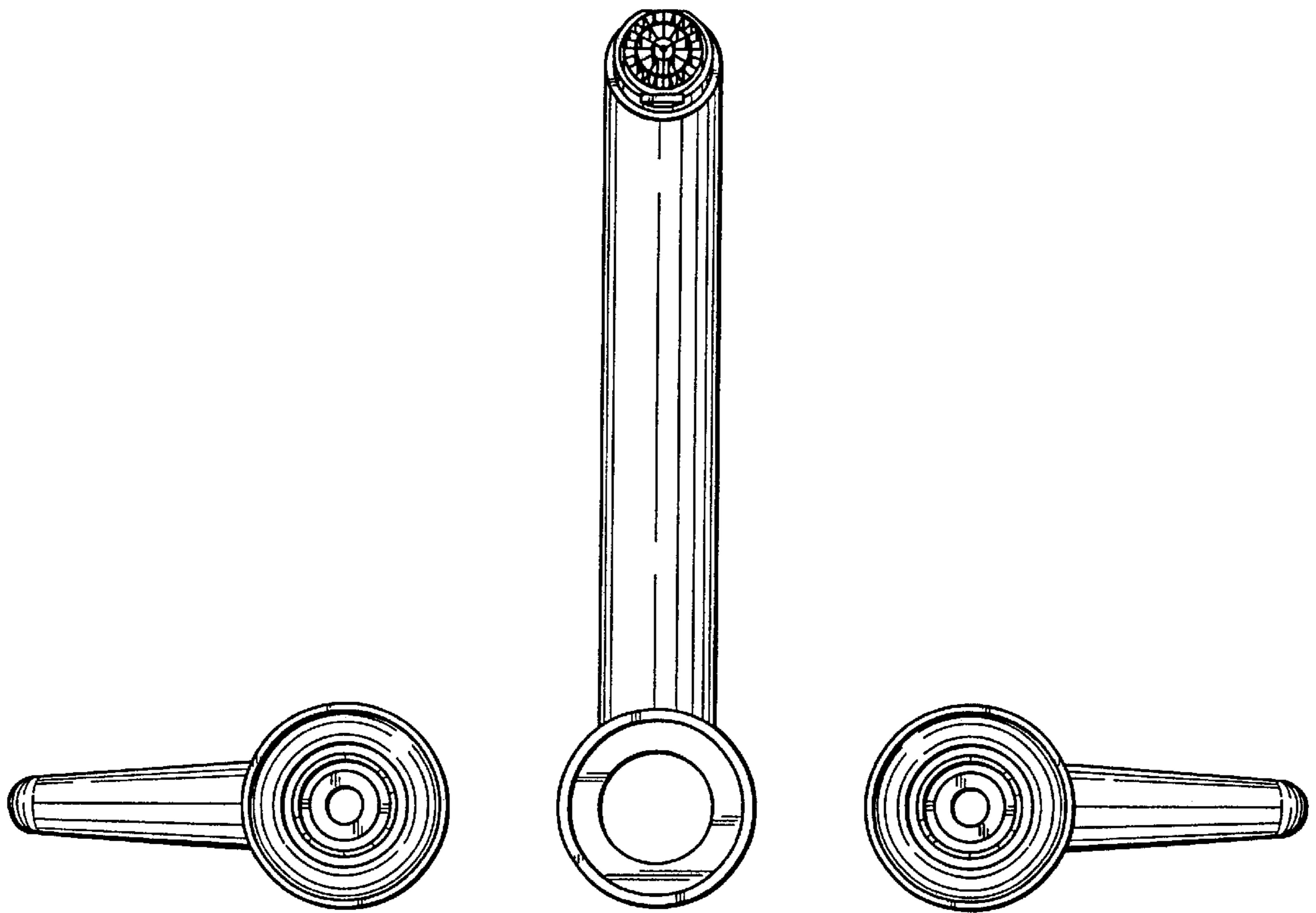


FIG.6