



US00D469506S

(12) **United States Design Patent**  
**Marshall**

(10) **Patent No.:** **US D469,506 S**

(45) **Date of Patent:** **\*\* Jan. 28, 2003**

(54) **SANITARY FAUCET**

(75) **Inventor:** **Chris Marshall**, Cumming, GA (US)

(73) **Assignee:** **Hansgrohe AG**, Schiltach (DE)

(\*\*) **Term:** **14 Years**

(21) **Appl. No.:** **29/158,404**

(22) **Filed:** **Apr. 4, 2002**

(51) **LOC (7) Cl.** ..... **23-01**

(52) **U.S. Cl.** ..... **D23/242**

(58) **Field of Search** ..... D23/238-243,  
D23/250-257; 4/675-678; 137/801

(56) **References Cited**

**U.S. PATENT DOCUMENTS**

D285,597 S	*	9/1986	Miller et al. ....	D23/242
D357,526 S	*	4/1995	Jans .....	D23/257
D392,720 S	*	3/1998	Doughty et al. ....	D23/250
D404,467 S	*	1/1999	Doughty et al. ....	D23/242
D404,470 S	*	1/1999	Pitsch et al. ....	D23/252
D406,880 S	*	3/1999	Doughty et al. ....	D23/255
D409,288 S	*	5/1999	Hyde .....	D23/250
D416,981 S	*	11/1999	Warshawsky et al. ....	D23/241
D439,954 S	*	4/2001	Spangler .....	D23/250
D440,282 S	*	4/2001	Lord .....	D23/241

D442,264 S	*	5/2001	Mullenmeister .....	D23/252
D448,453 S	*	9/2001	Lord .....	D23/241
D460,534 S	*	7/2002	Hanna et al. ....	D23/252

**OTHER PUBLICATIONS**

2000 Moen Price Catalog, pp. 40-41, 44-45 (1999).  
Catalog, BÄDER 2001, 6 pages (2000).  
Product Portfolio, Price Pfister, 6 pages (1999).

\* cited by examiner

*Primary Examiner*—Louis S. Zarfes

*Assistant Examiner*—Gregory Andoll

(74) *Attorney, Agent, or Firm*—Duane Morris LLP

(57) **CLAIM**

The ornamental design for a sanitary faucet, as shown and described.

**DESCRIPTION**

FIG. 1: is a side perspective view of a sanitary faucet showing my new design;

FIG. 2: is a side elevation view thereof;

FIG. 3: is a top plan view thereof;

FIG. 4: is a front elevation view thereof;

FIG. 5: is a rear elevation view thereof; and,

FIG. 6: is a bottom plan view thereof.

**1 Claim, 3 Drawing Sheets**

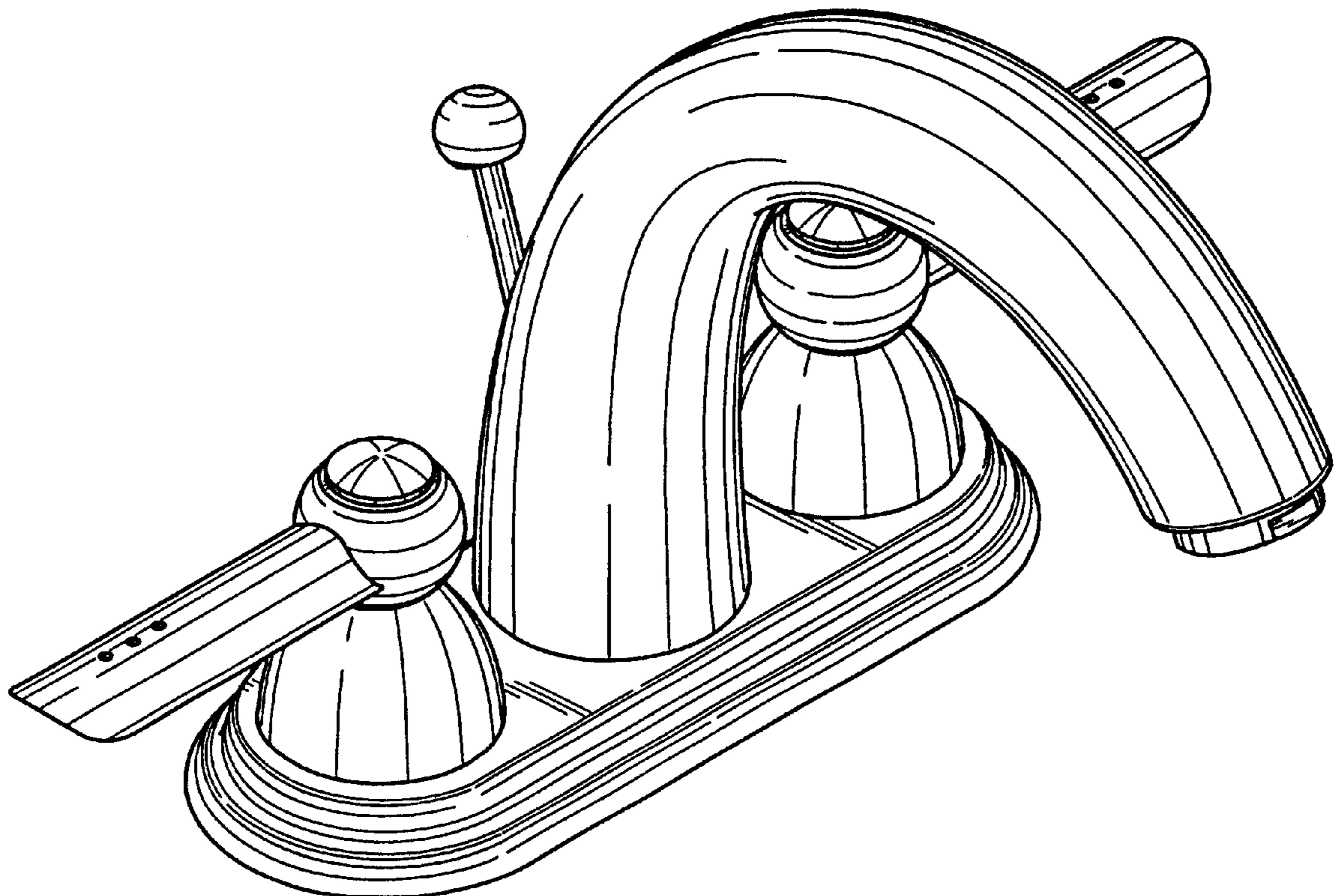


FIG.1

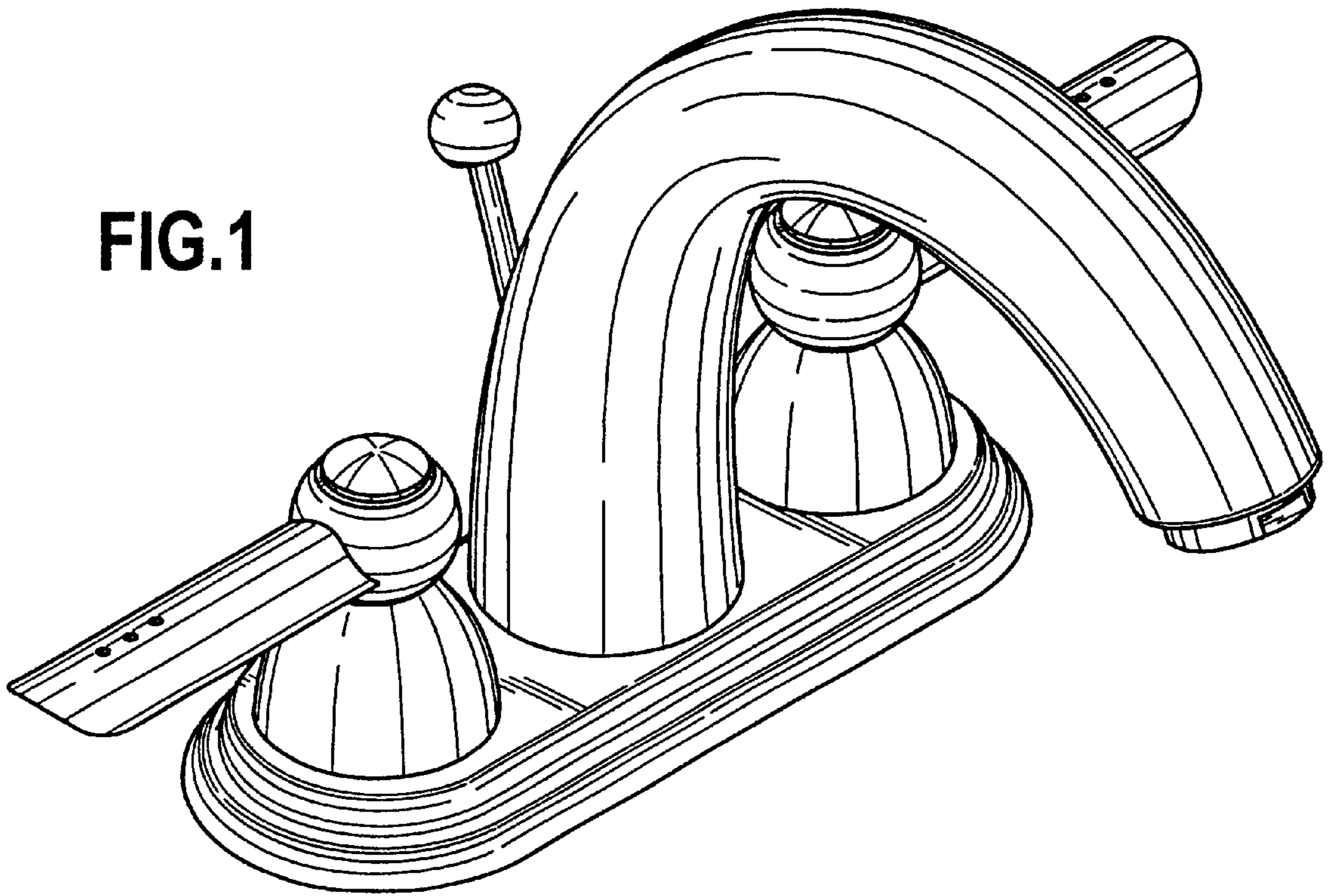
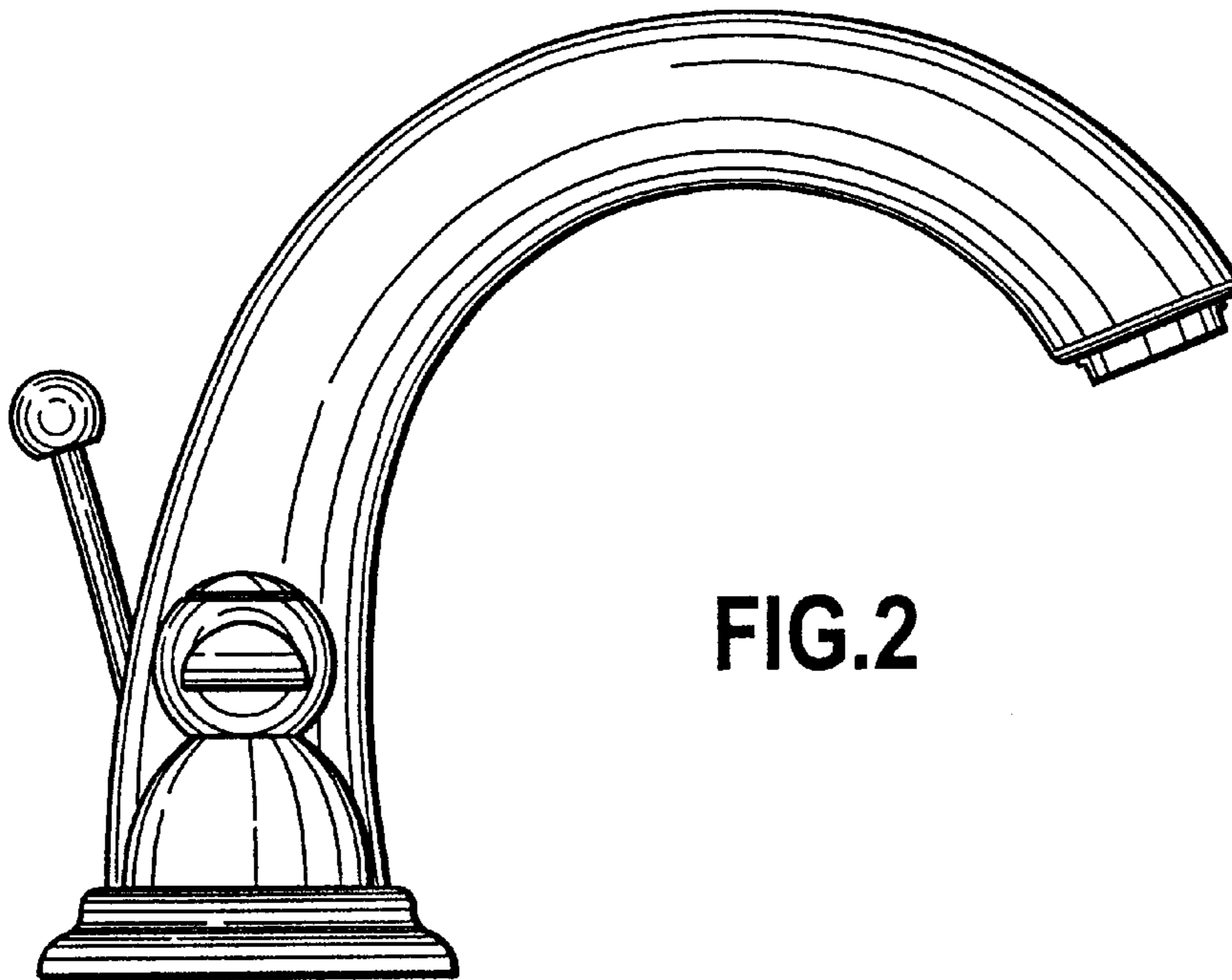
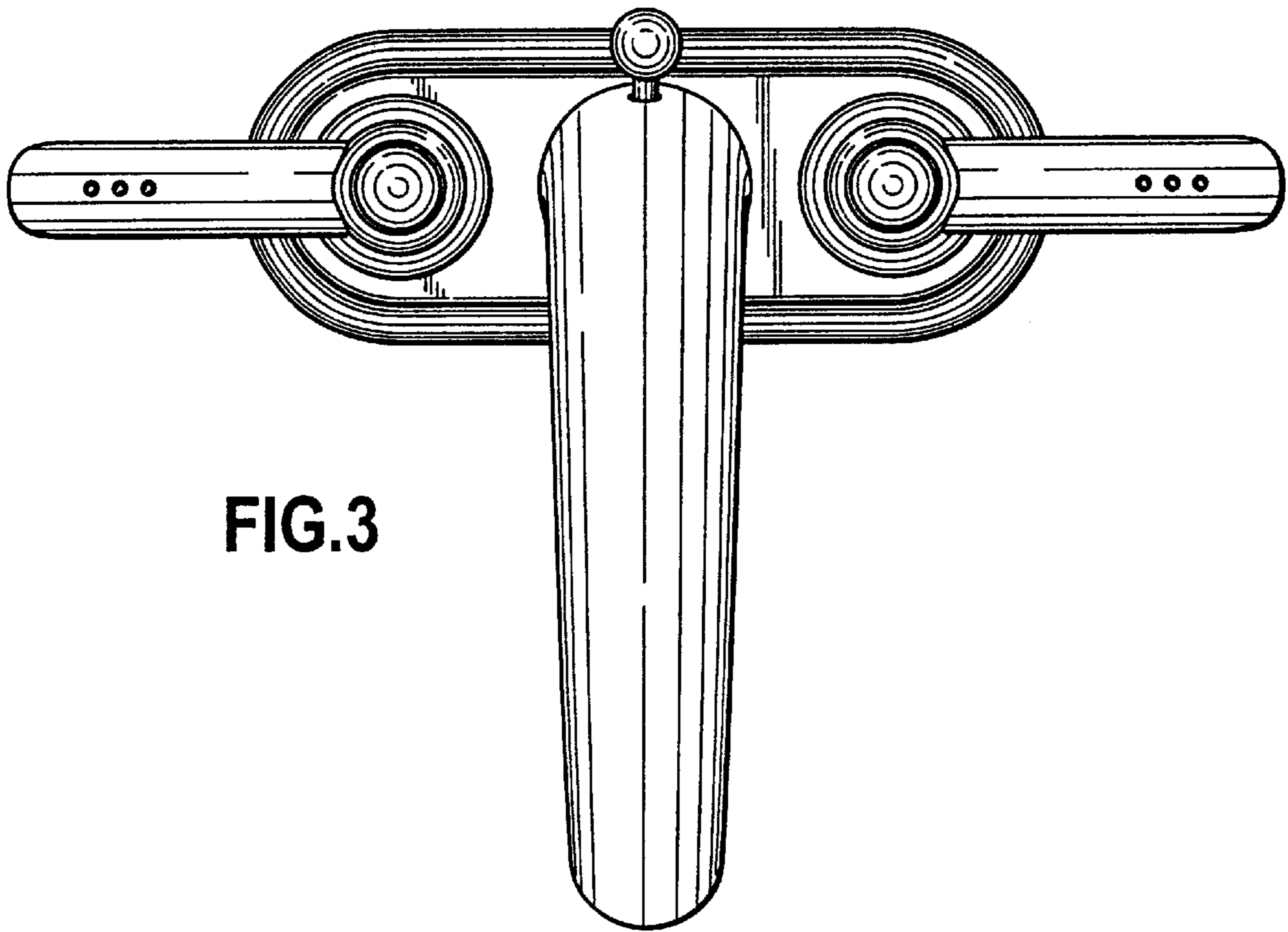
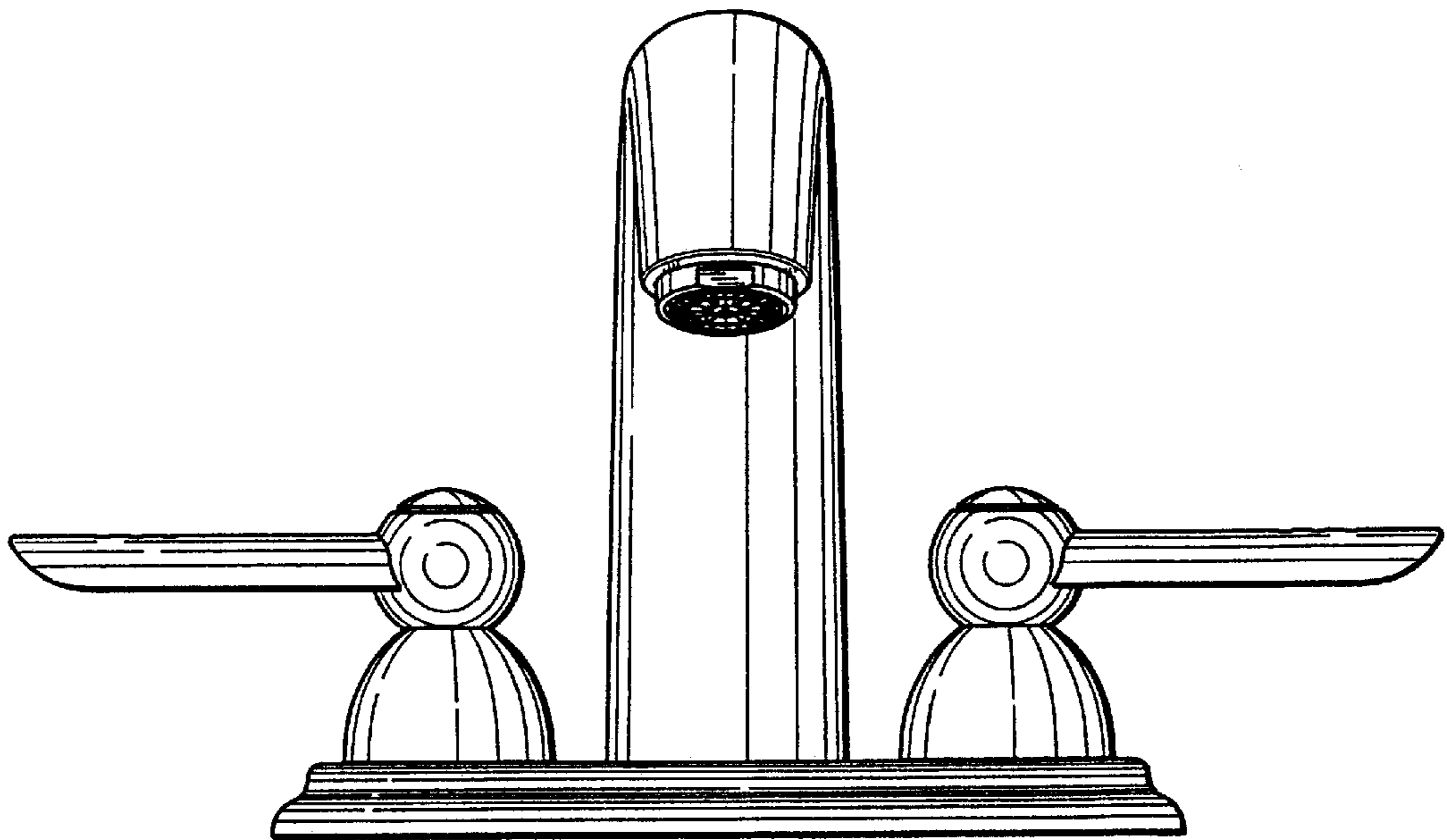


FIG.2





**FIG.3**



**FIG.4**



FIG.5

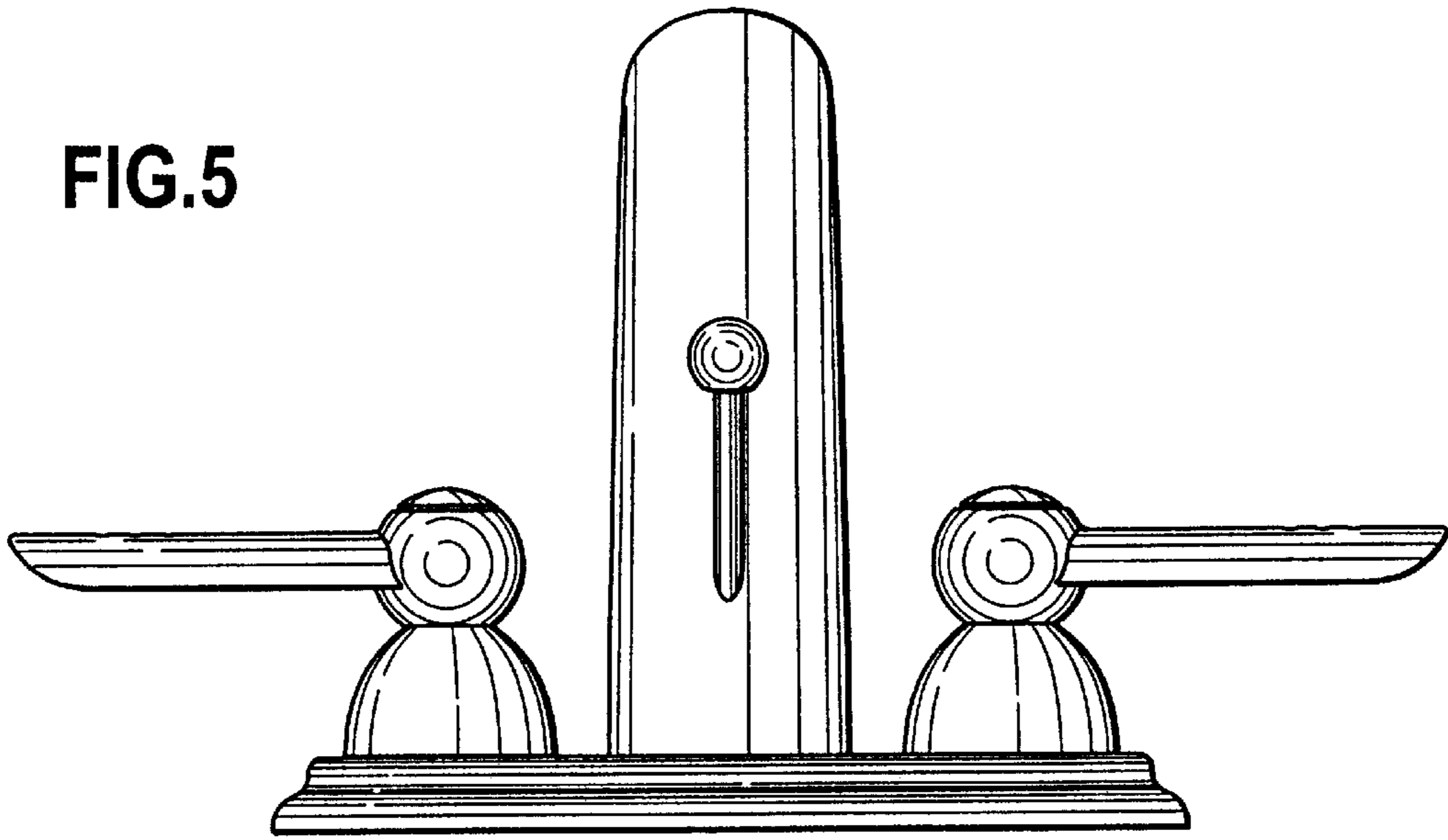


FIG.6

