



US00D469503S

(12) **United States Design Patent**
Liang

(10) **Patent No.:** **US D469,503 S**

(45) **Date of Patent:** **** Jan. 28, 2003**

(54) **WATER SPRINKLING HEAD**

D456,487 S * 4/2002 Bonzer D23/213

(76) Inventor: **Tsang-Fu Liang**, No. 50, Hsiu-Fu Rd.,
Pu-Lun Village, Hsiu-Shui Hsiang,
Changhua Hsien (TW)

* cited by examiner

Primary Examiner—Robin V. Taylor
(74) *Attorney, Agent, or Firm*—Harrison & Egbert

(**) Term: **14 Years**

(57) **CLAIM**

(21) Appl. No.: **29/162,197**

I claim the ornamental design for a water sprinkling head, as shown and described.

(22) Filed: **Jun. 12, 2002**

DESCRIPTION

(51) **LOC (7) Cl.** **23-01**

(52) **U.S. Cl.** **D23/213**

(58) **Field of Search** D23/213; 239/259,
239/589, 602

FIG. 1 is an upper perspective view of the water sprinkling head showing my design.

FIG. 2 is a front view thereof;

FIG. 3 is a back view thereof;

FIG. 4 is a side view thereof;

FIG. 5 is an opposite side view thereof;

FIG. 6 is a top view thereof; and,

FIG. 7 is a bottom view thereof.

(56) **References Cited**

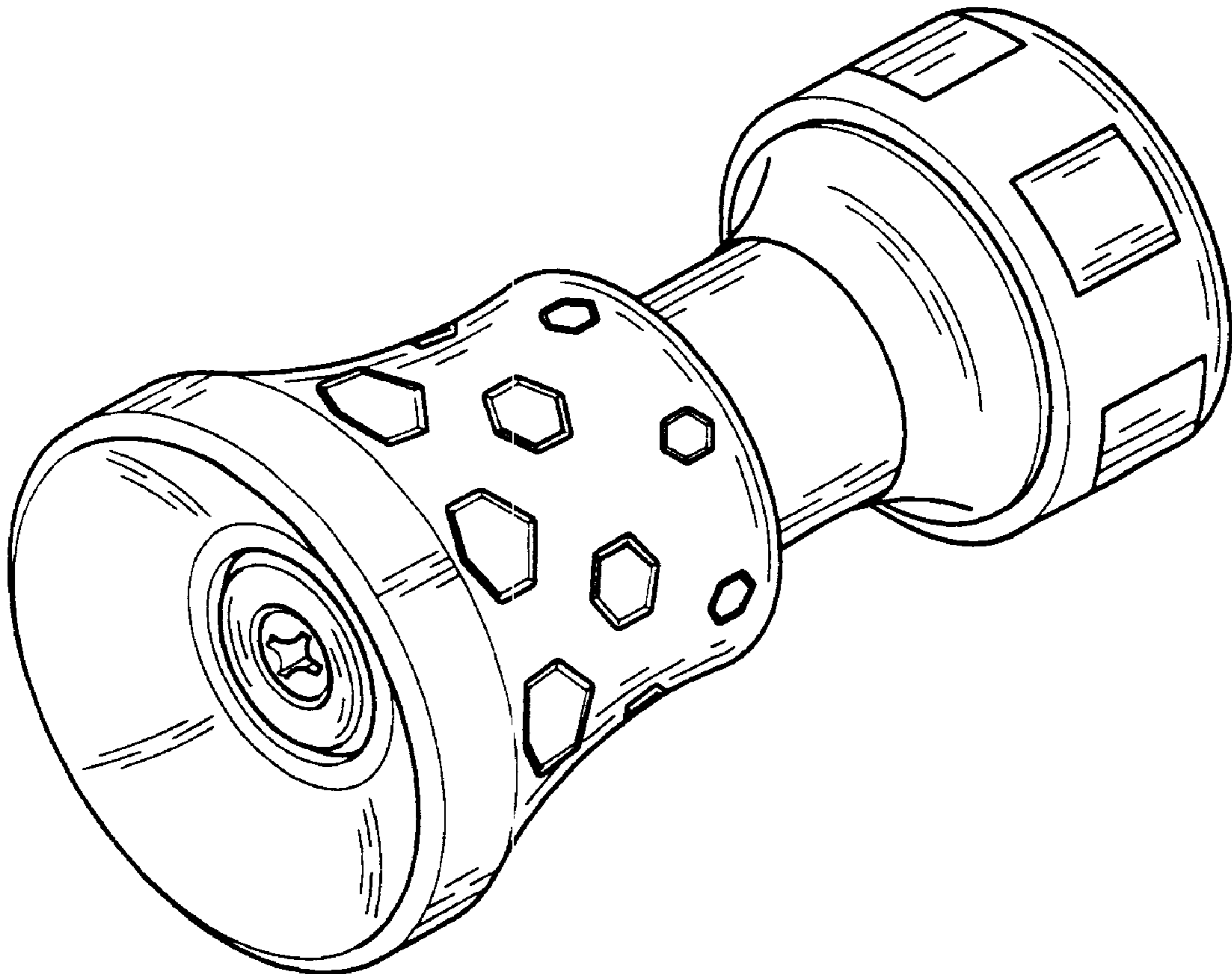
U.S. PATENT DOCUMENTS

D437,385 S * 2/2001 Chao D23/213

D454,616 S * 3/2002 Hunt D23/213

D455,815 S * 4/2002 Bonzer D23/213

1 Claim, 4 Drawing Sheets



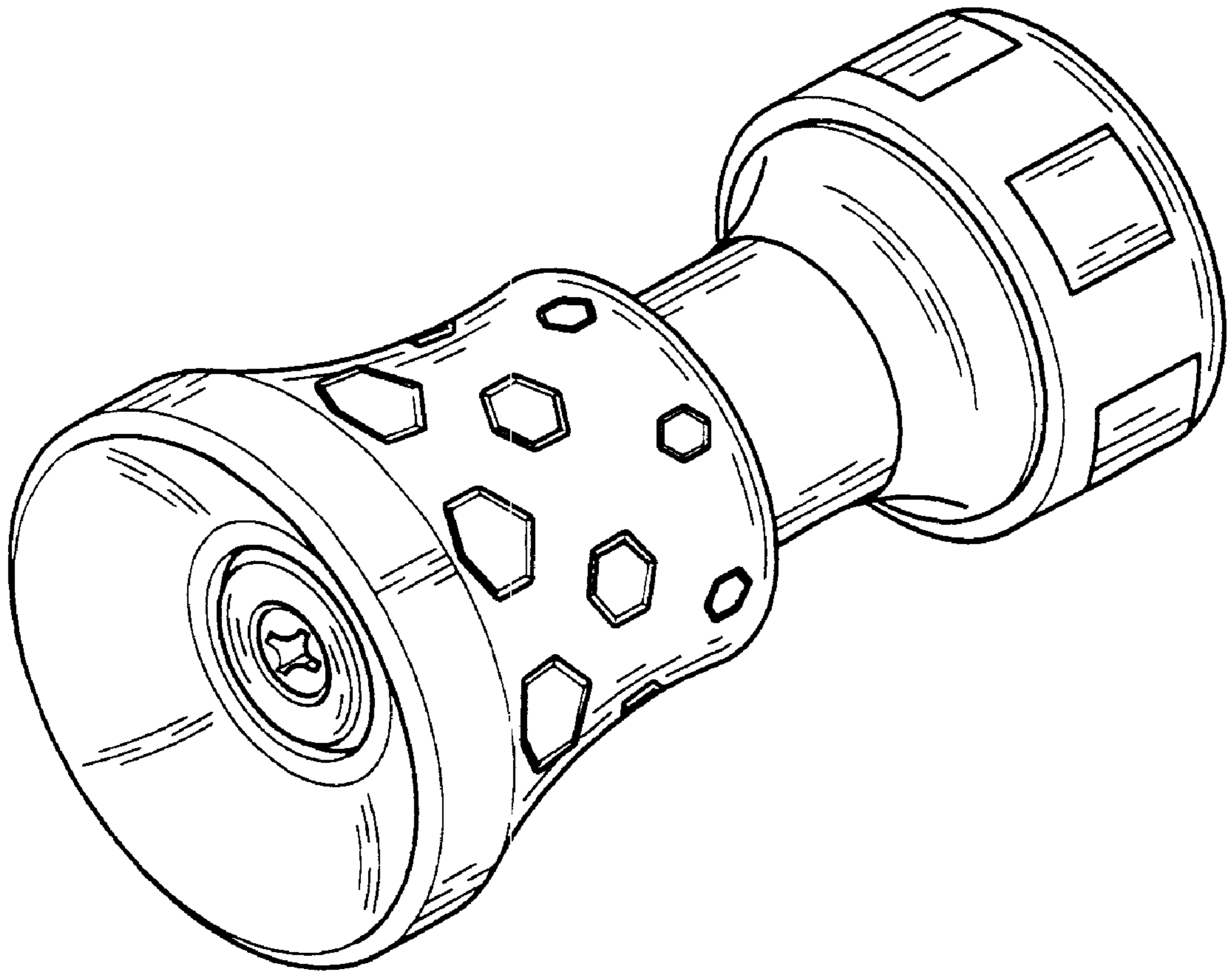


FIG.1

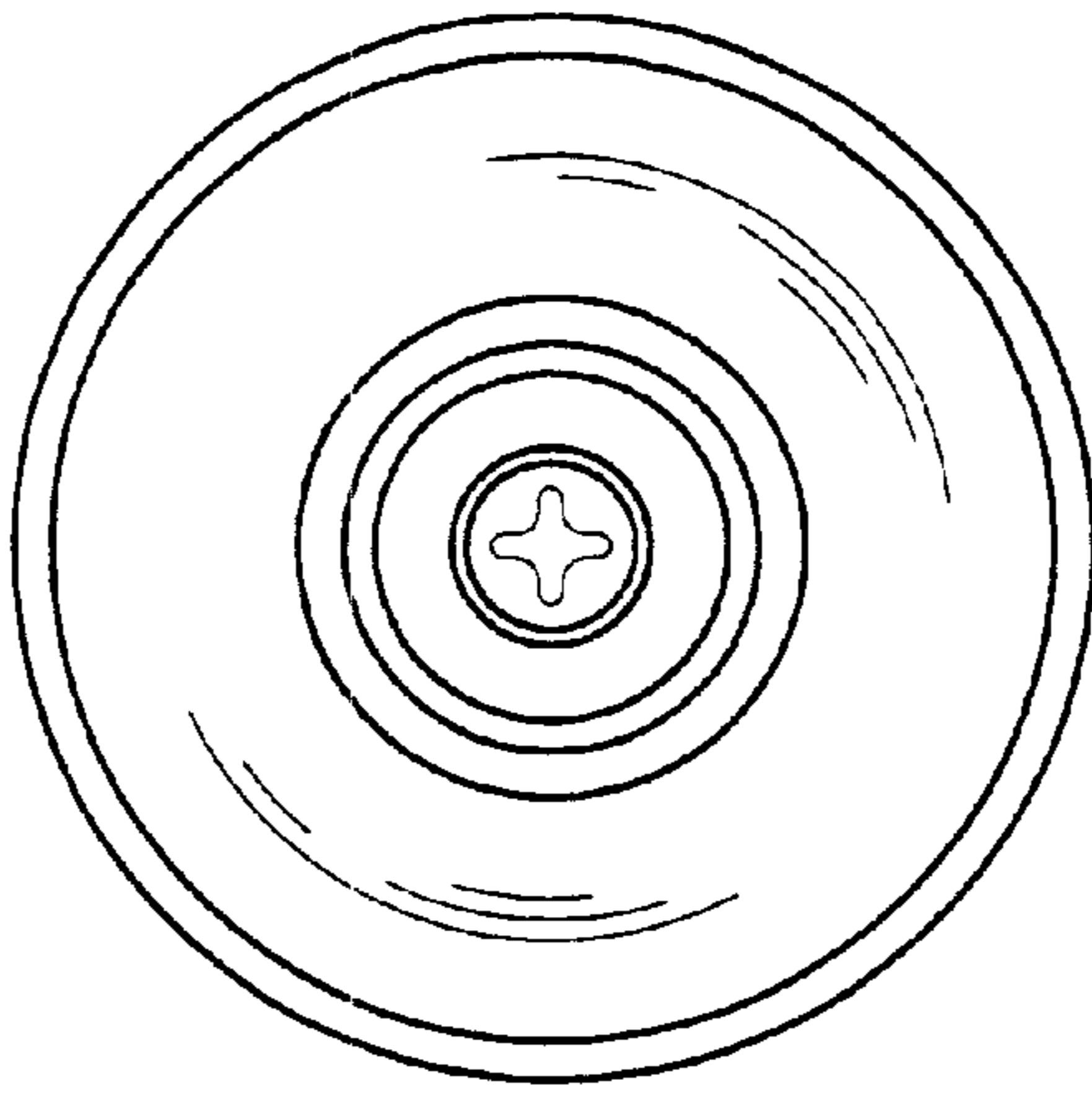


FIG. 2

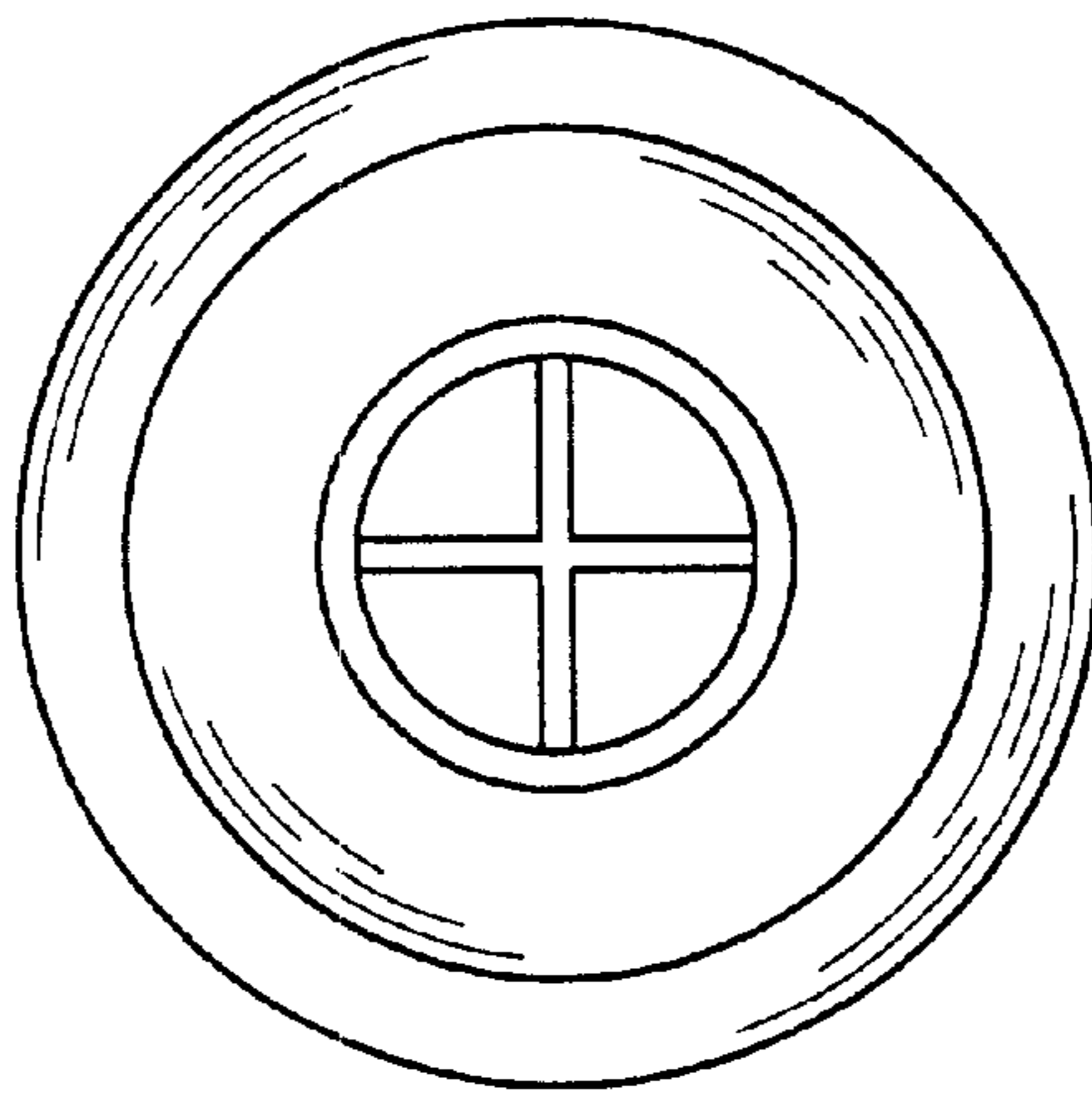


FIG. 3

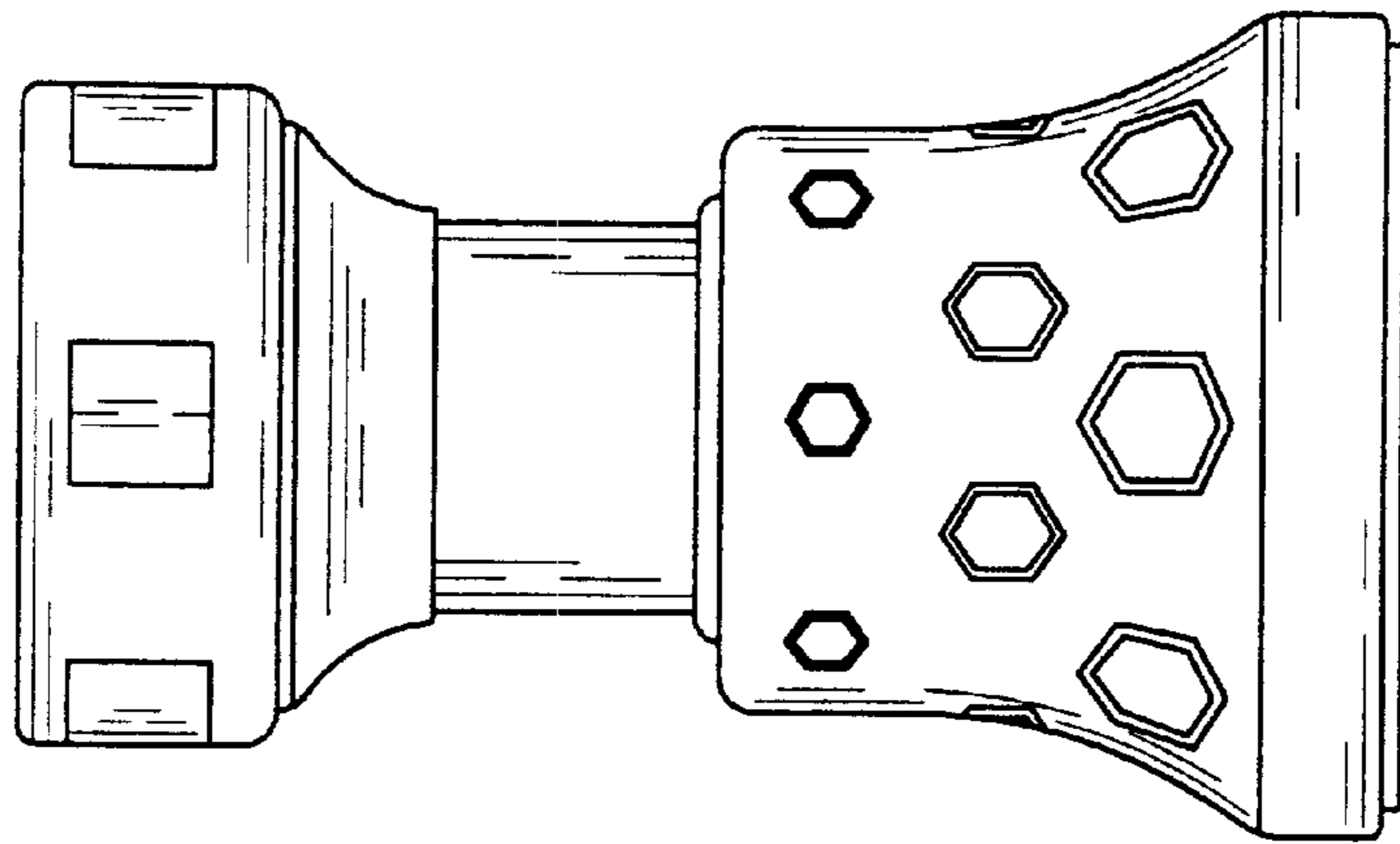


FIG. 4

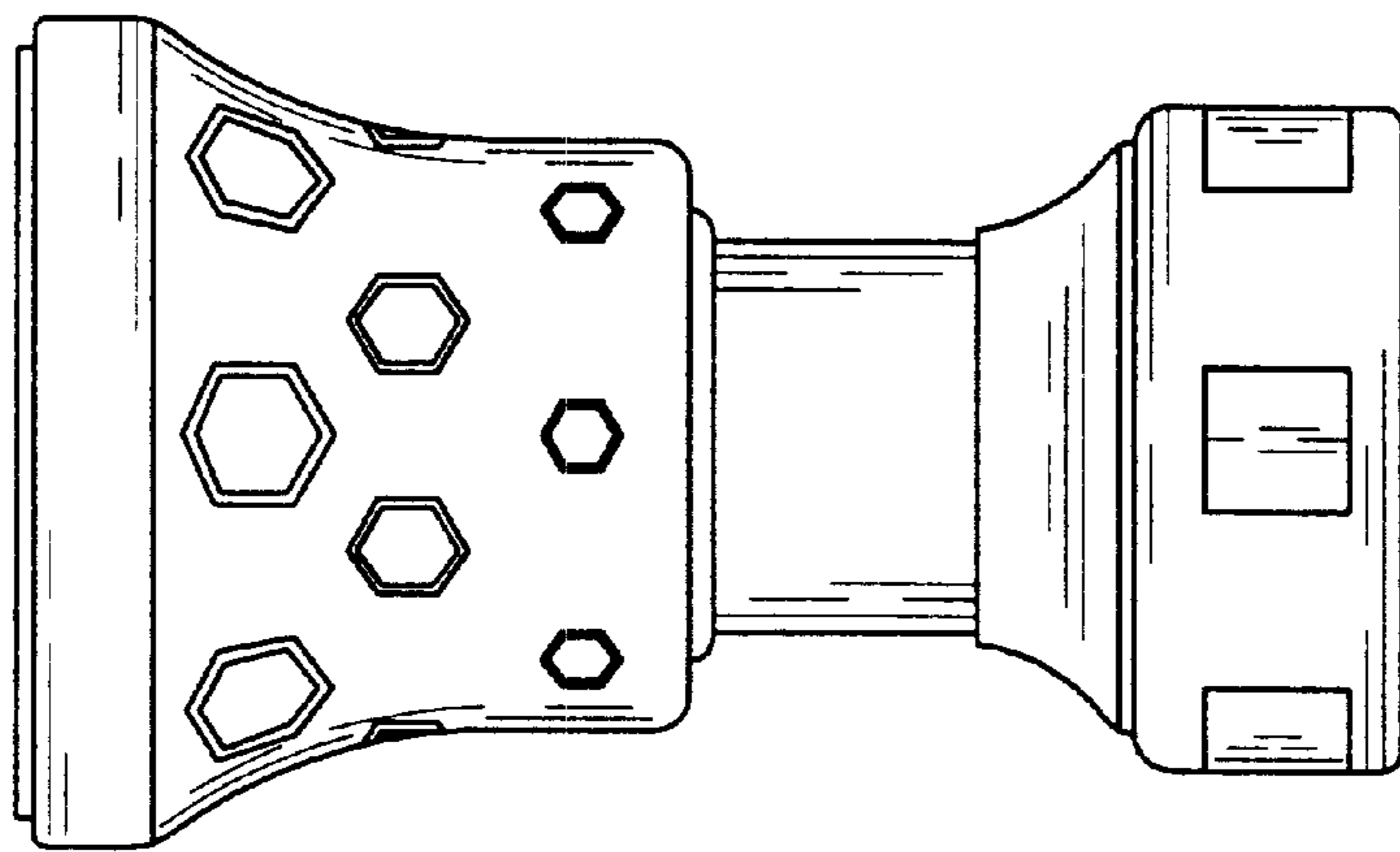


FIG. 5

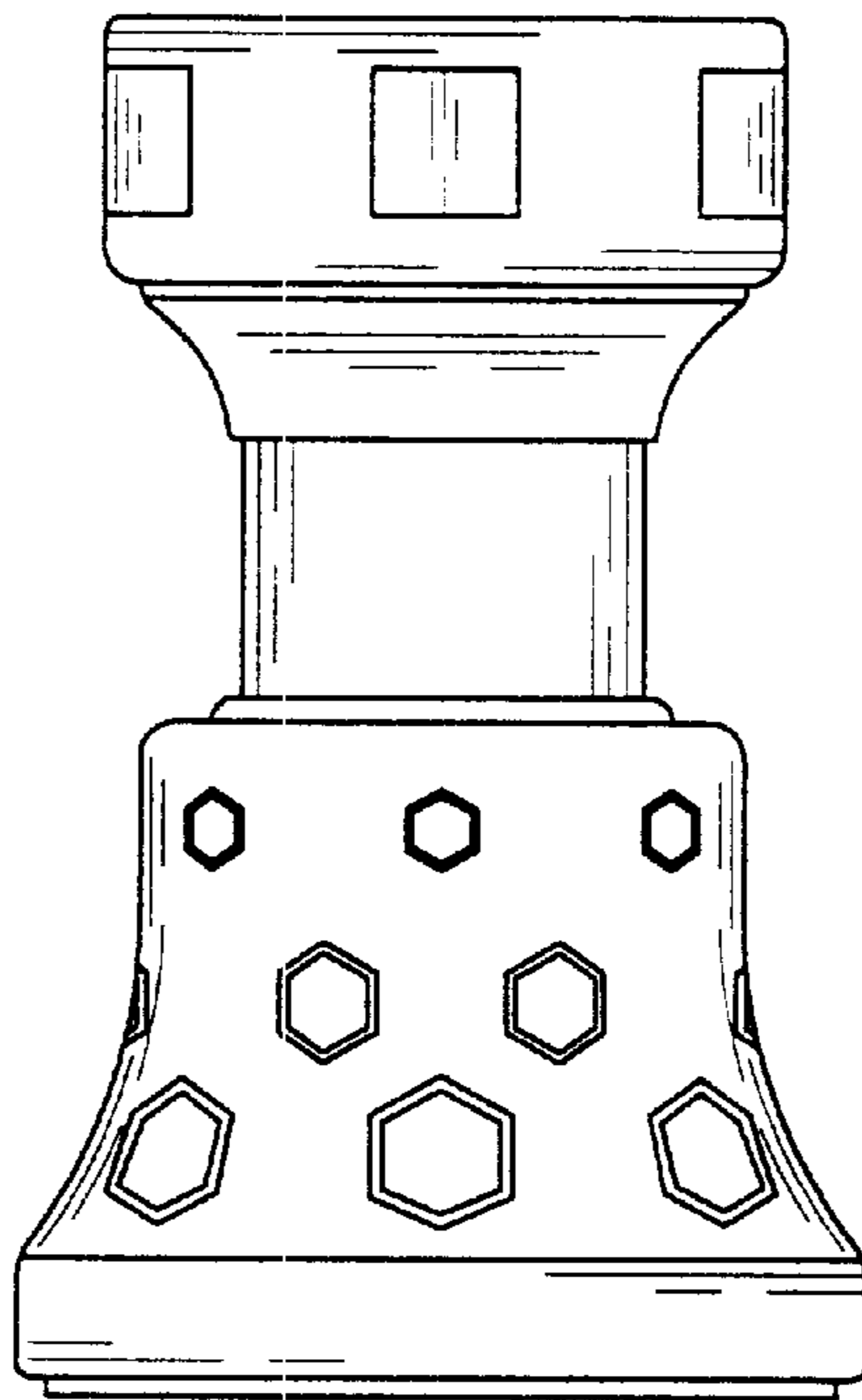


FIG. 6

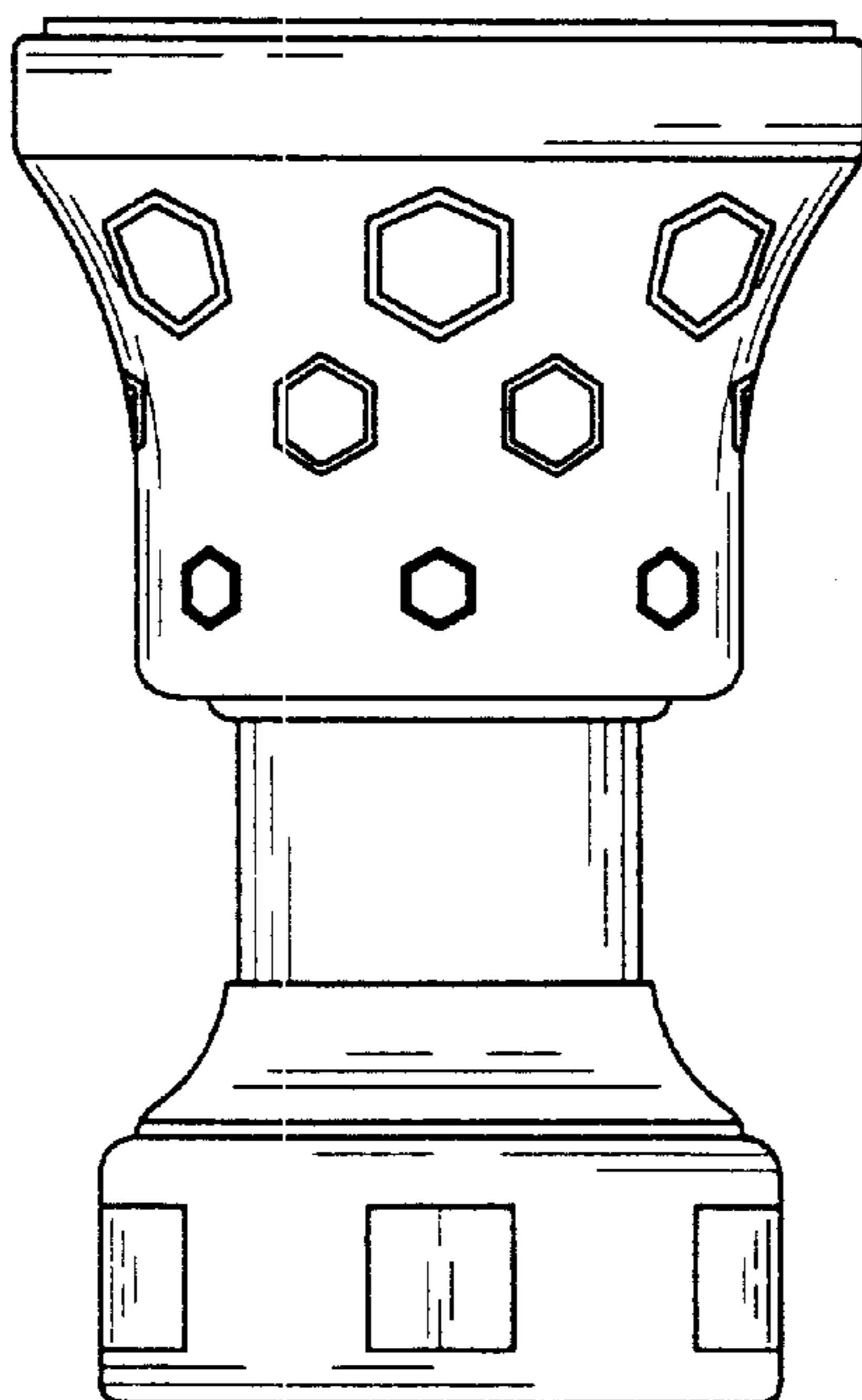


FIG. 7