



US00D469499S

(12) **United States Design Patent**
Levine

(10) **Patent No.:** **US D469,499 S**
(45) **Date of Patent:** **** Jan. 28, 2003**

(54) **ULTRASONIC/ELECTROMAGNETIC PEST REPELLER WITH DIGITAL CLOCK**

Primary Examiner—Catherine R. Oliver
(74) *Attorney, Agent, or Firm*—Darby & Darby

(75) **Inventor:** **Stephen Levine**, Far Hills, NJ (US)

(57) **CLAIM**

(73) **Assignee:** **Team Products International, Inc.**, Parsippany, NJ (US)

The ornamental design for a ultrasonic/electromagnetic pest repeller with digital clock, as shown and described.

(**) **Term:** **14 Years**

DESCRIPTION

(21) **Appl. No.:** **29/161,162**

FIG. 1 is a perspective view of a ultrasonic/electromagnetic pest repeller with digital clock, showing our new design; FIG. 2 is a front view of the ultrasonic/electromagnetic pest repeller with digital clock shown in FIG. 1; FIG. 3 is a left side view of the ultrasonic/electromagnetic pest repeller with digital clock shown in FIG. 1; FIG. 4 is a rear view of the ultrasonic/electromagnetic pest repeller with digital clock shown in FIG. 1; FIG. 5 is a right side view of the ultrasonic/electromagnetic pest repeller with digital clock shown in FIG. 1; FIG. 6 is a top view of the ultrasonic/electromagnetic pest repeller with digital clock shown in FIG. 1; and, FIG. 7 is a bottom view of the ultrasonic/electromagnetic pest repeller with digital clock shown in FIG. 1.

(22) **Filed:** **May 22, 2002**

(51) **LOC (7) Cl.** **22-06**

(52) **U.S. Cl.** **D22/120; D10/2**

(58) **Field of Search** **D22/119-125;**
43/112, 113, 124, 126, 129-59; D23/366-369;
D10/2

The broken line showing of environment in the drawings is for illustrative purposes only and forms no part of the claimed design.

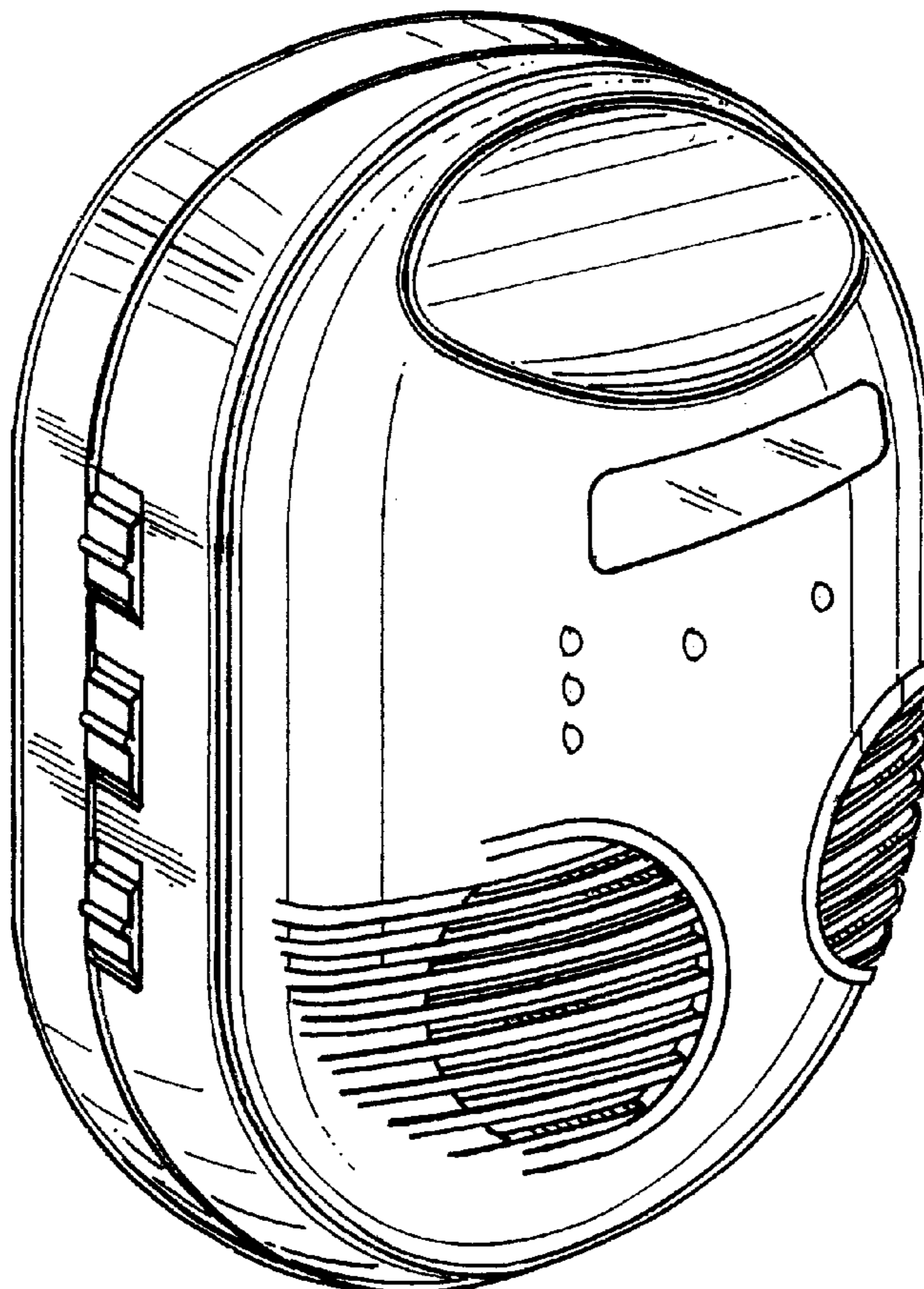
(56) **References Cited**

U.S. PATENT DOCUMENTS

D269,990 S	*	8/1983	Hall	D22/120
D423,071 S	*	4/2000	Bonnema	D22/120
D426,627 S	*	6/2000	Cho	D23/366 X
D430,259 S	*	8/2000	Jan	D22/128
D458,334 S	*	6/2002	Levine	D22/120

* cited by examiner

1 Claim, 3 Drawing Sheets



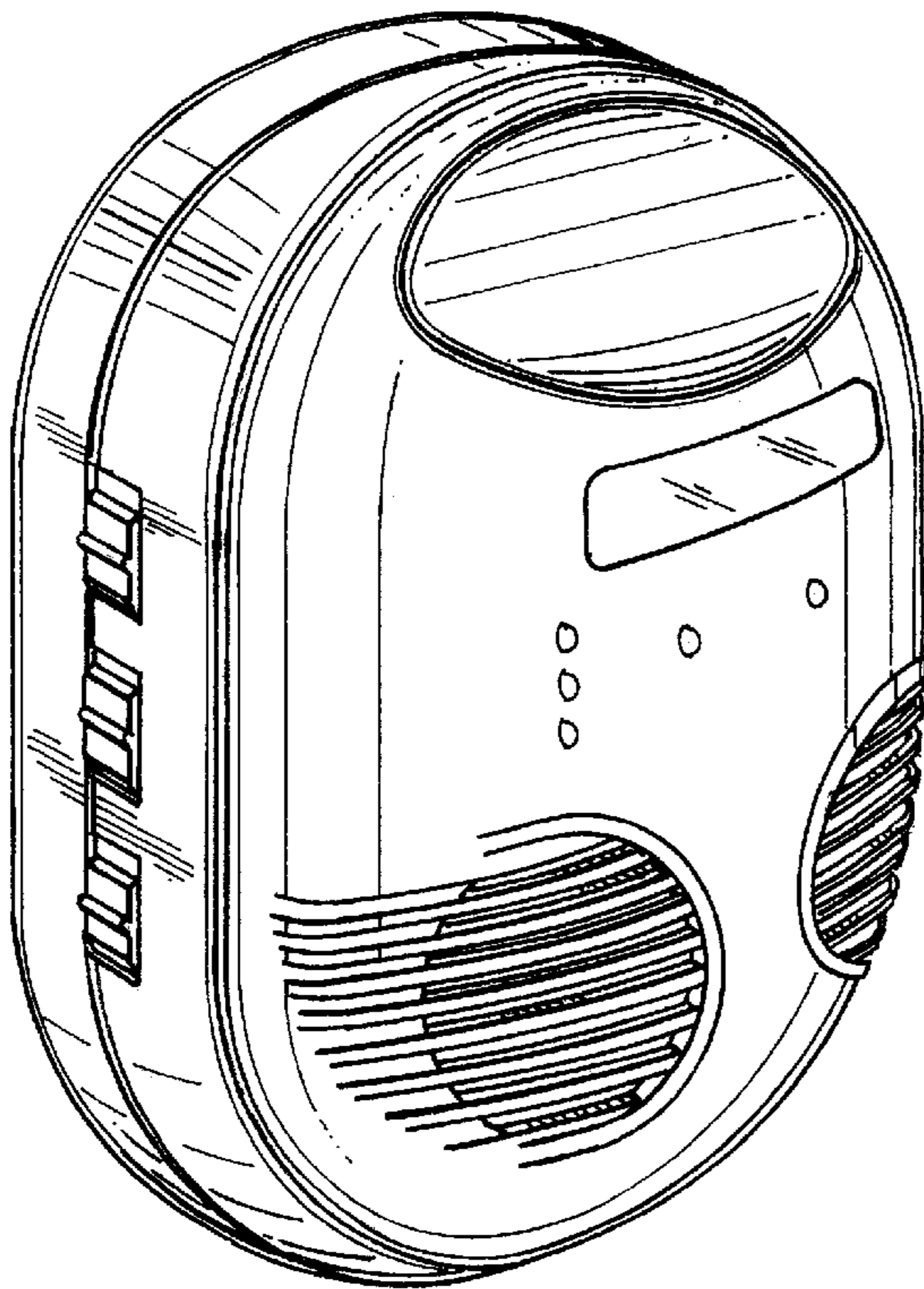


FIG. 1

FIG. 2

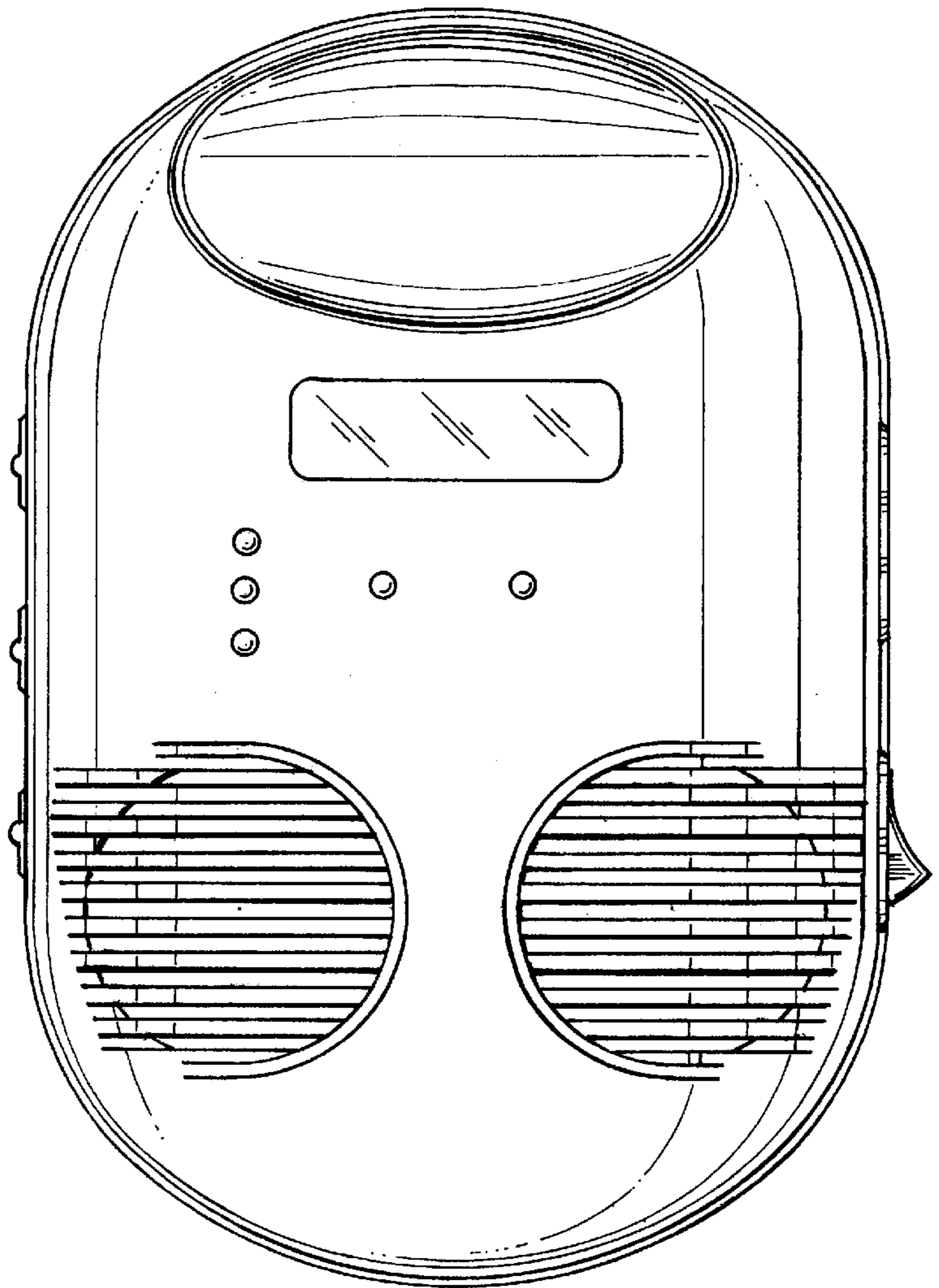


FIG. 3

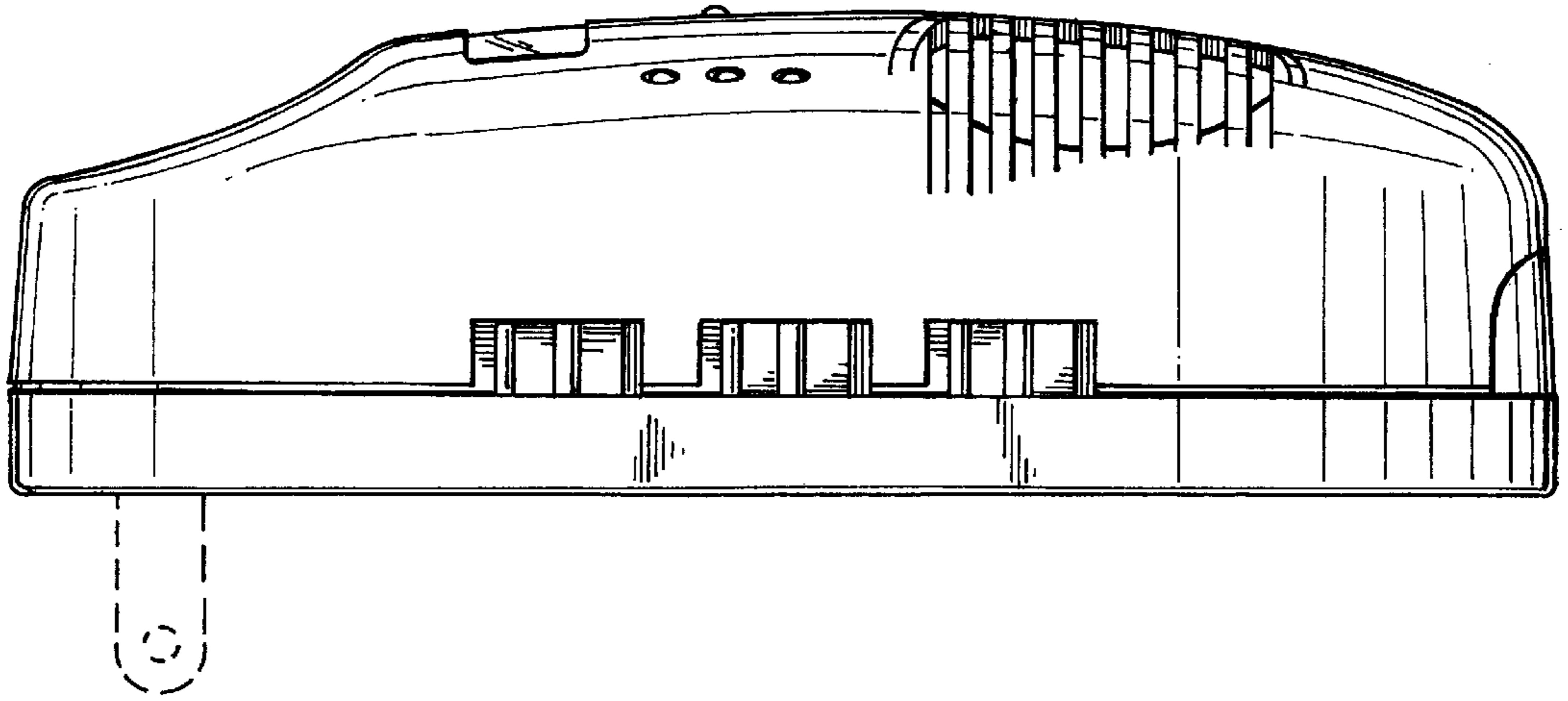


FIG. 4

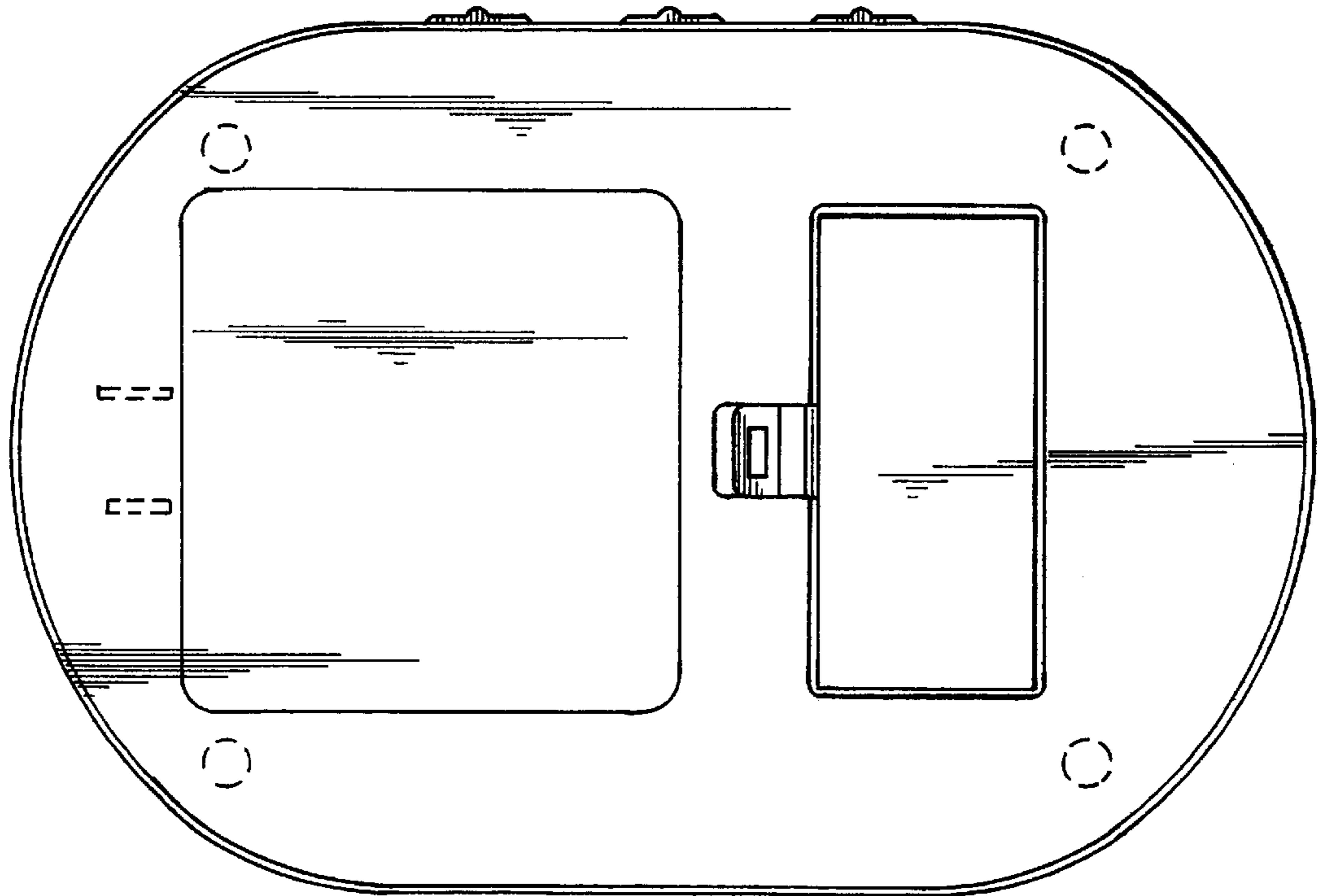


FIG. 6

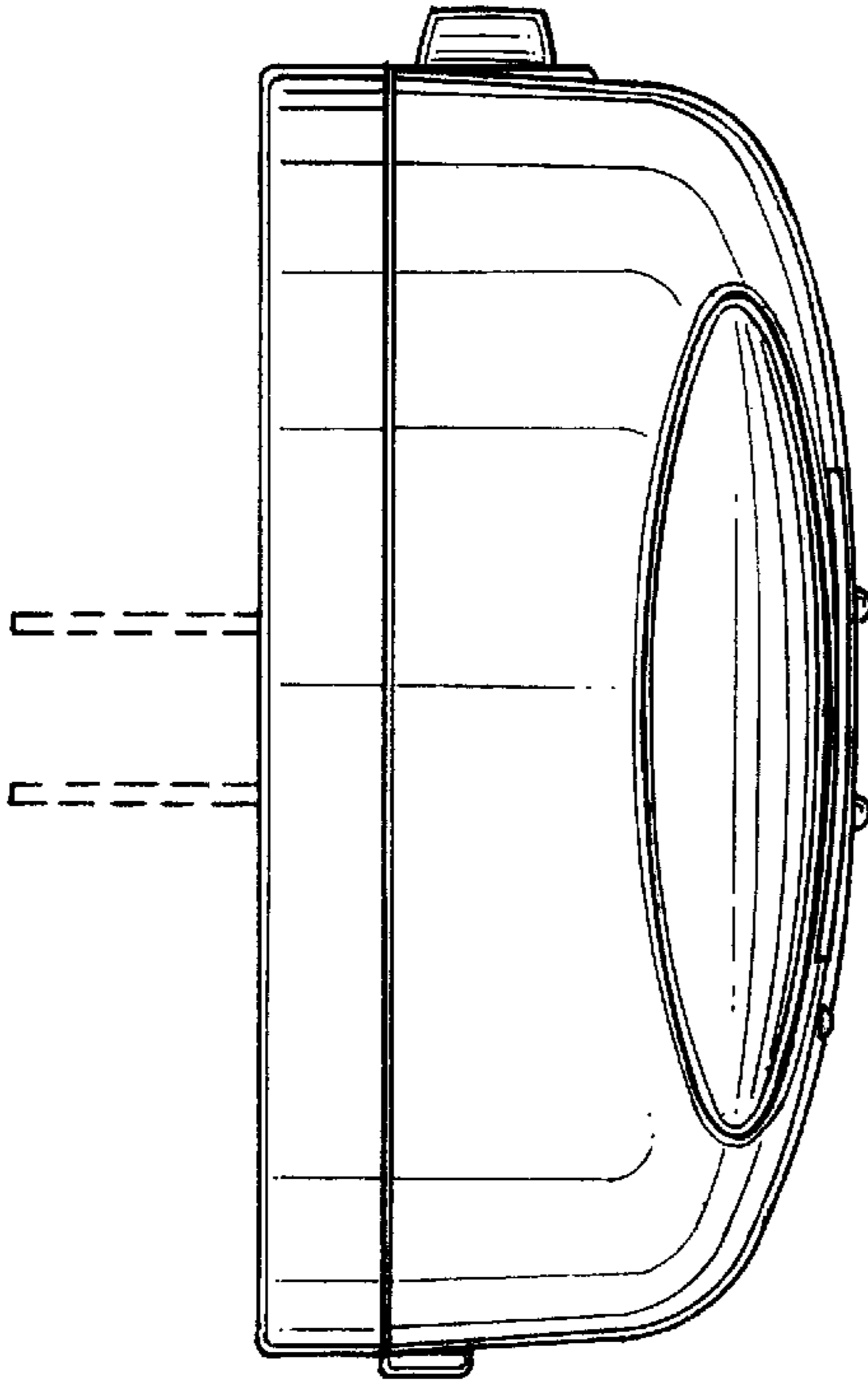


FIG. 7

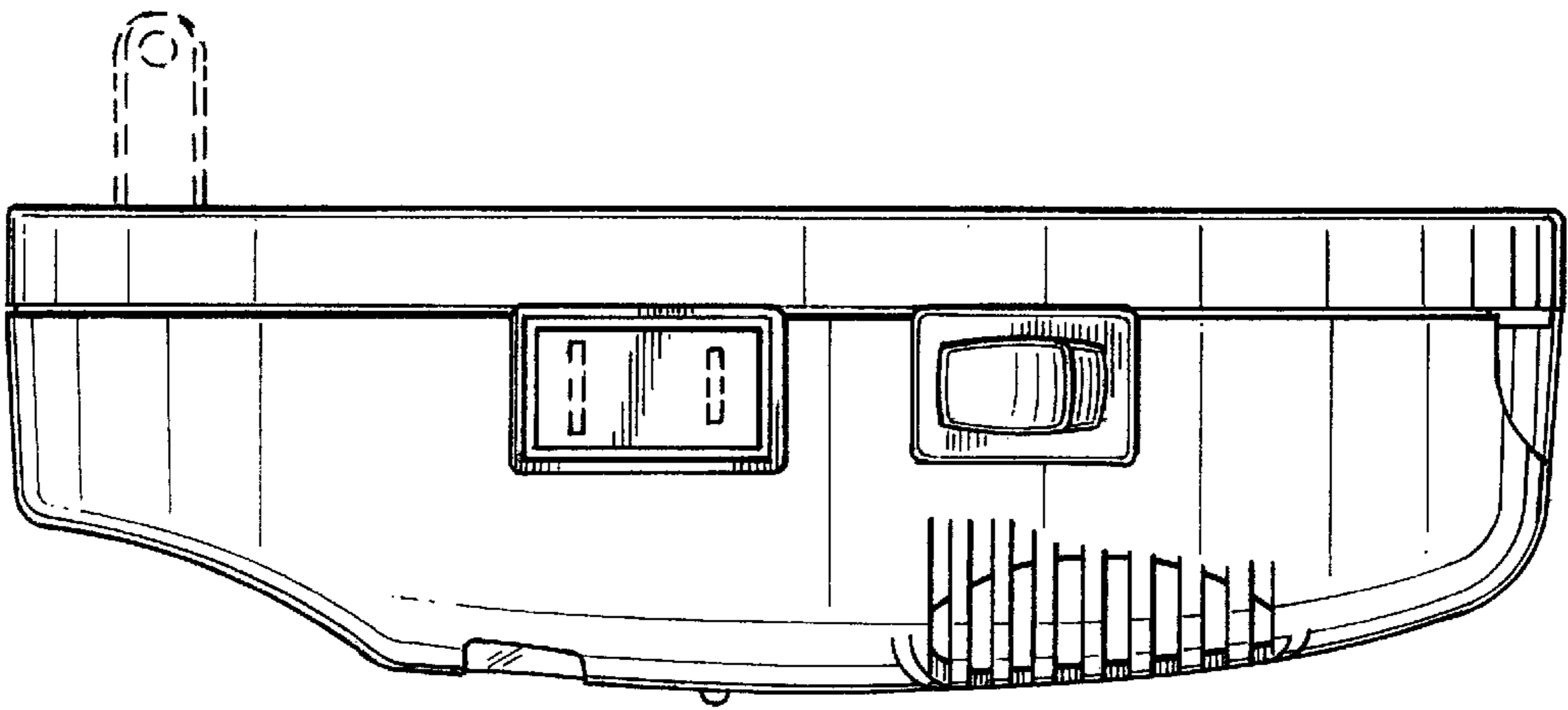
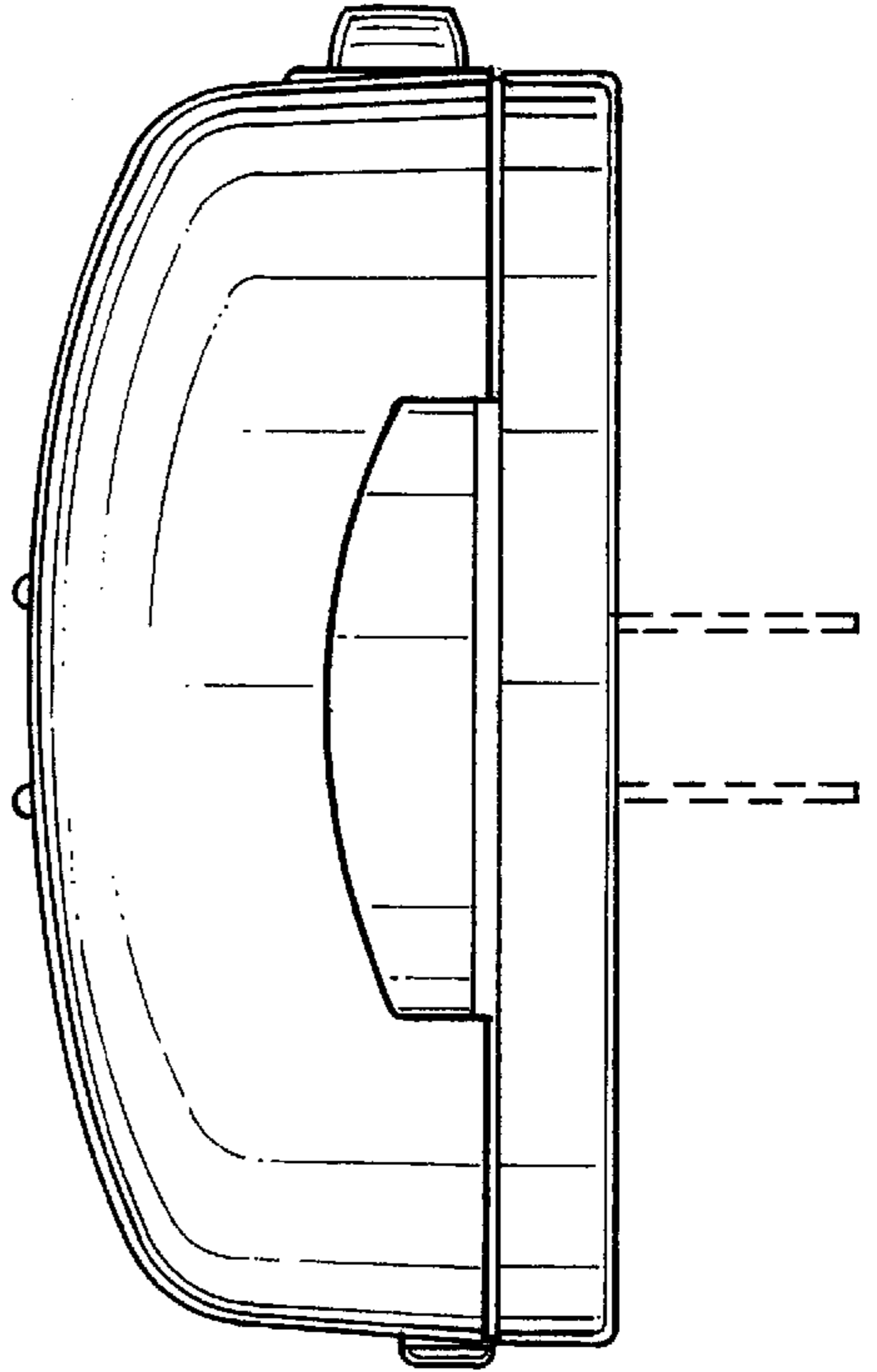


FIG. 5