



US00D469497S

(12) **United States Design Patent**
Simpson, Sr.

(10) **Patent No.:** **US D469,497 S**

(45) **Date of Patent:** **** Jan. 28, 2003**

(54) **NON-PEEP BOWSIGHT FOR ARCHERY**

(76) Inventor: **David W. Simpson, Sr.**, 21900 State Rd. 60, Vero Beach, FL (US) 32966

(**) Term: **14 Years**

(21) Appl. No.: **29/138,083**

(22) Filed: **Mar. 7, 2001**

(51) **LOC (7) Cl.** **22-01**

(52) **U.S. Cl.** **D22/107**

(58) **Field of Search** D22/100, 107,
D22/199; 33/265; 124/86, 87, 88

(56) **References Cited**

U.S. PATENT DOCUMENTS

4,662,347	A	5/1987	Carlton	
4,788,961	A	* 12/1988	Toth	33/265 X
4,982,503	A	1/1991	Land	
5,048,193	A	* 9/1991	Hacquet	D22/107 X
5,454,169	A	10/1995	Keller	
5,524,351	A	6/1996	Pinson	
5,579,752	A	12/1996	Nelson	
5,671,724	A	9/1997	Priebe	
D387,843	S	* 12/1997	Brotzke et al.	D22/100 X
5,802,726	A	9/1998	Trosper	
5,850,700	A	12/1998	Capson	
5,864,958	A	2/1999	Giddens	
D412,548	S	8/1999	Simpson	
D413,958	S	* 9/1999	Khnosnood	D22/100 X
5,975,069	A	* 11/1999	Hamm et al.	33/265 X
6,000,141	A	12/1999	Afshari	
D423,627	S	4/2000	Simpson	
6,119,672	A	* 9/2000	Closson	33/265 X

* cited by examiner

Primary Examiner—Louis S. Zarfaz
Assistant Examiner—Monica A. Weingart
(74) *Attorney, Agent, or Firm*—Tom Hamill, Jr.

(57) **CLAIM**

I claim the ornamental design for the non-peek bowsight for archery, as shown and described.

DESCRIPTION

FIG. 1 is a top view of the first embodiment of the non-peek bowsight for archery;
FIG. 2 is a bottom view of the first embodiment of the non-peek bowsight for archery;
FIG. 3 is a top view of the second embodiment of the non-peek bowsight for archery;
FIG. 4 is a bottom view of the second embodiment of the non-peek bowsight for archery;
FIG. 5 is a top view of the third embodiment of the non-peek bowsight for archery;
FIG. 6 is a bottom view of the third embodiment of the non-peek bowsight for archery;
FIG. 7 is a front side view and a rear side view of all three embodiments of the non-peek bow bowsight for archery,
FIG. 8 is a left side view of all three embodiments of the non-peek bowsight for archery,
FIG. 9 is a right side view of all three embodiments of the non-peek bowsight for archery; and,
FIG. 10 is an environmental perspective view of the first embodiment of the non-peek bowsight for archery, the dashed lines forming no part of the claimed design.

1 Claim, 4 Drawing Sheets

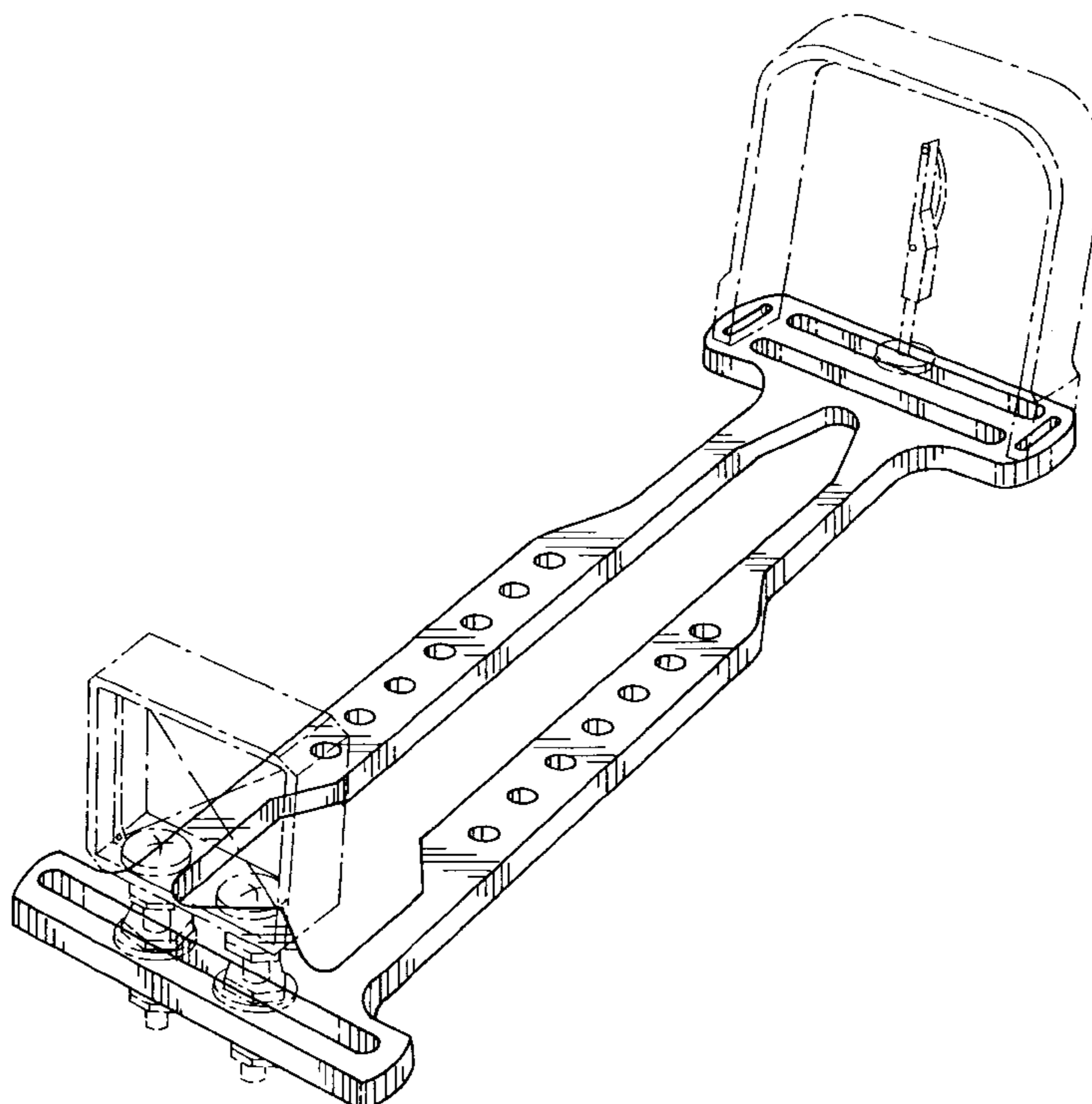


Fig. 1

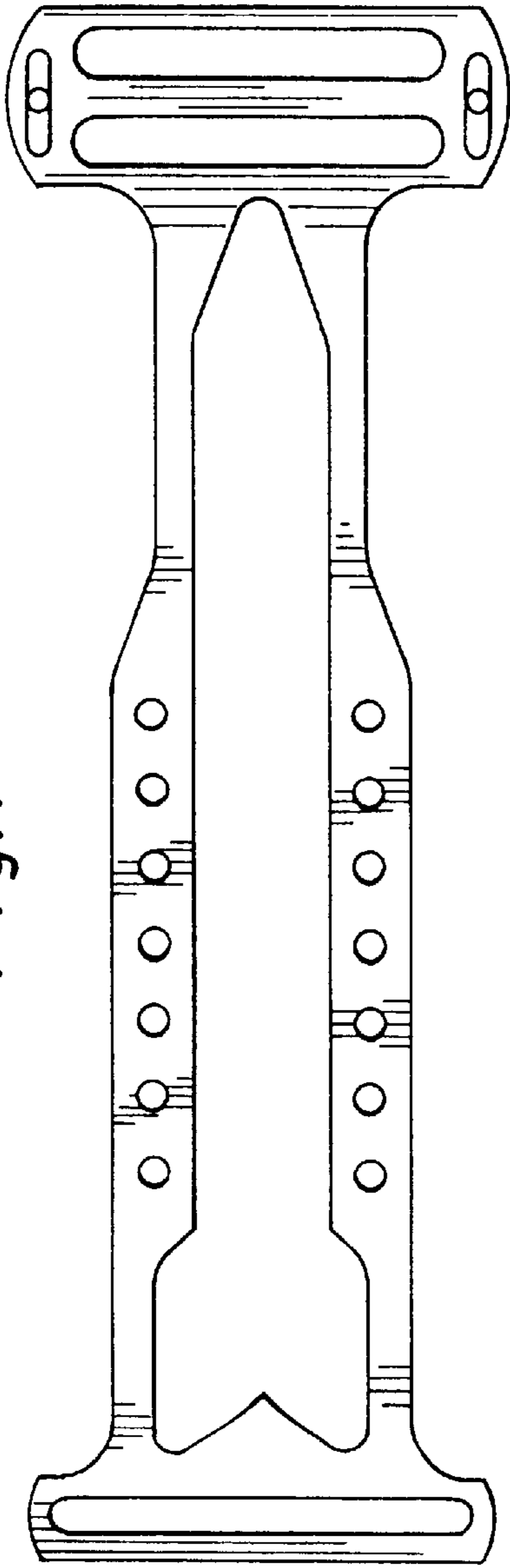


Fig. 2

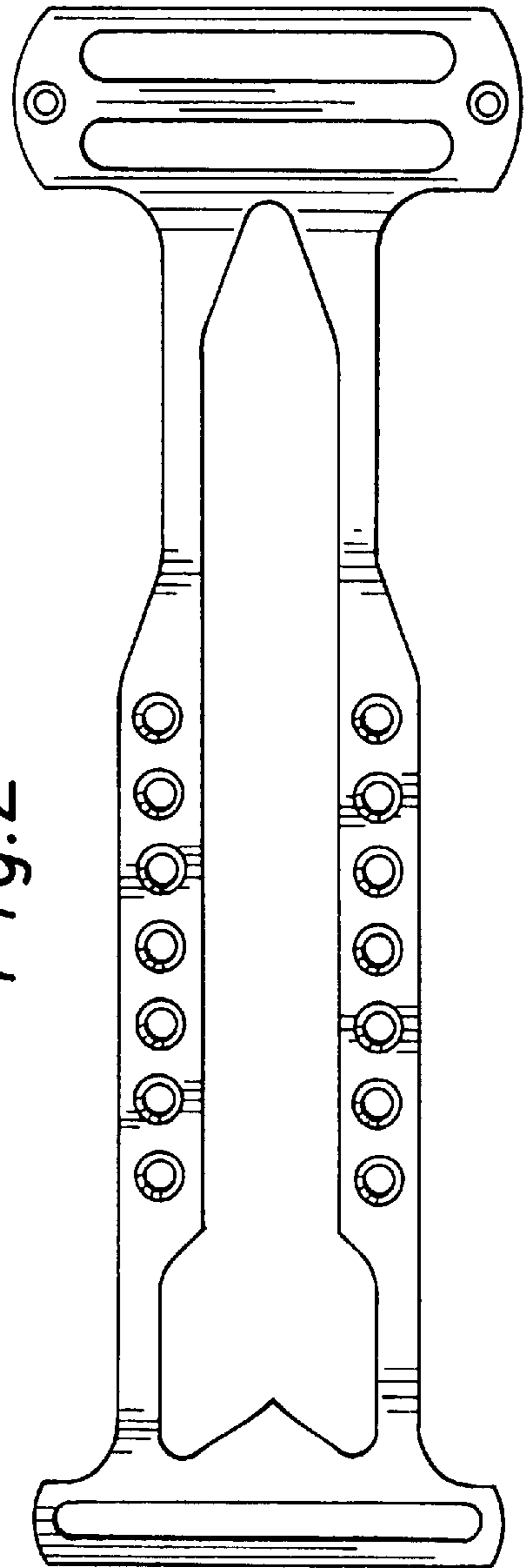


Fig. 3

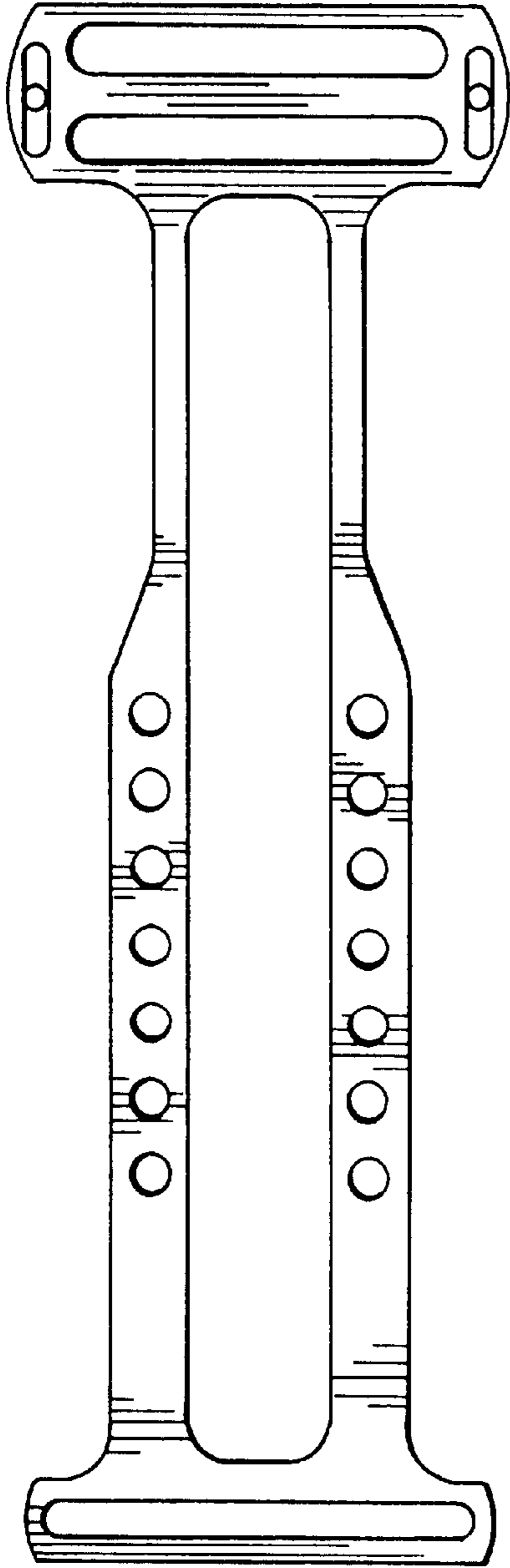


Fig. 4

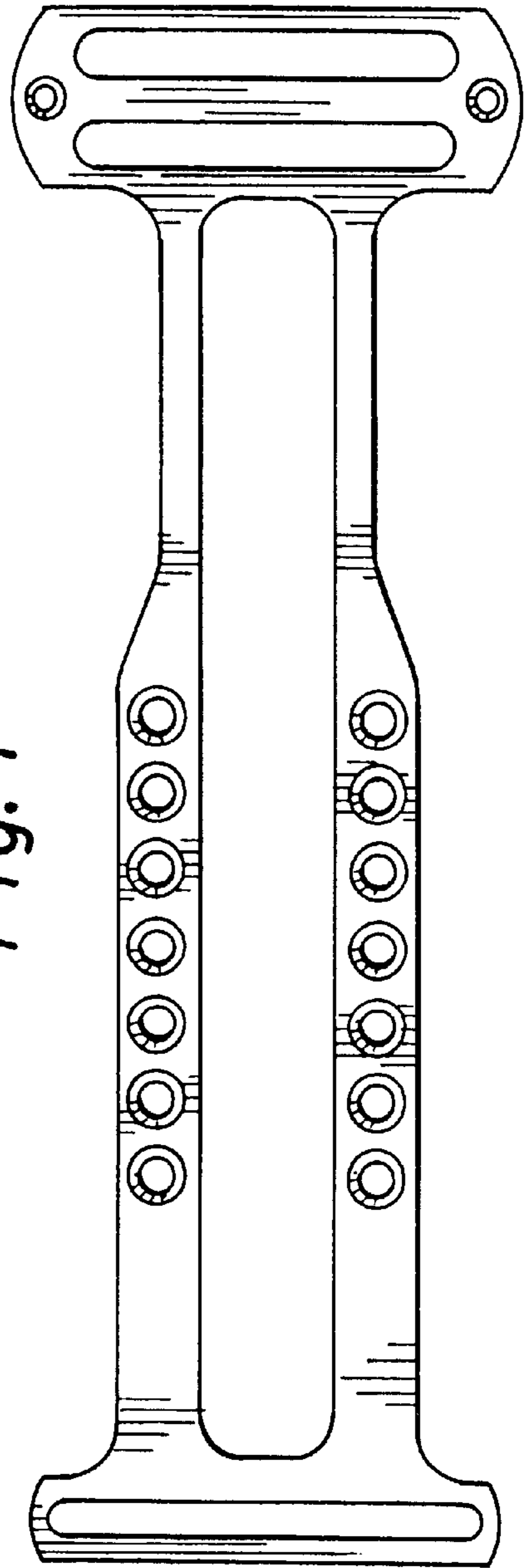


Fig. 5

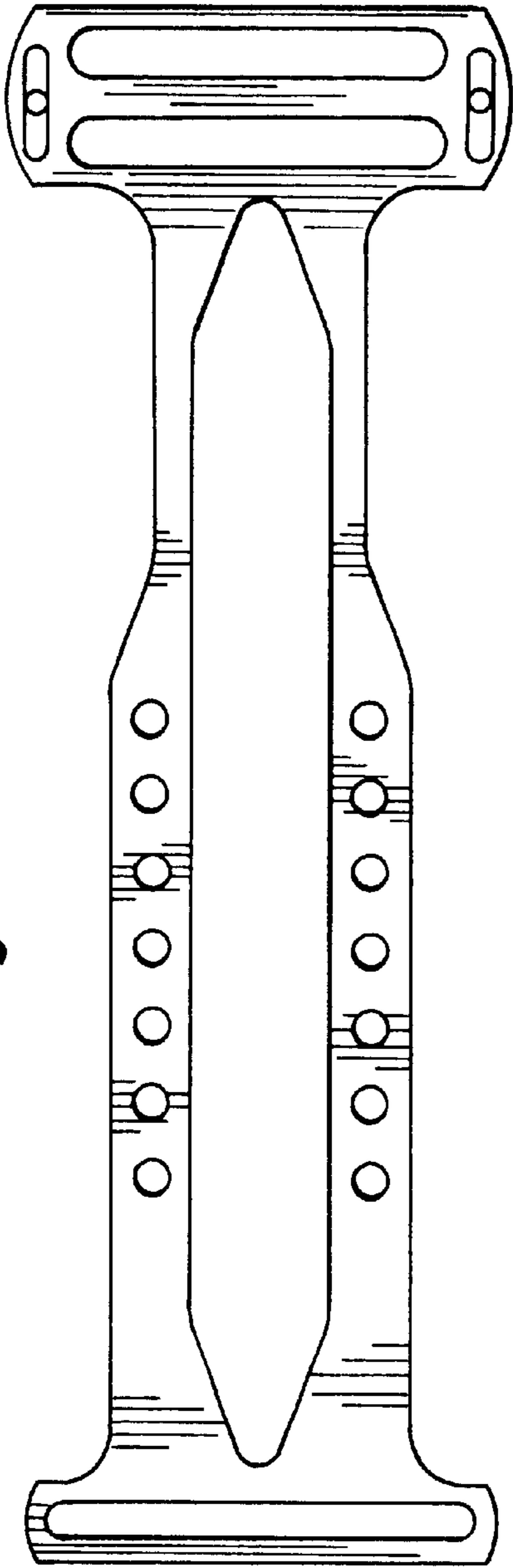


Fig. 6

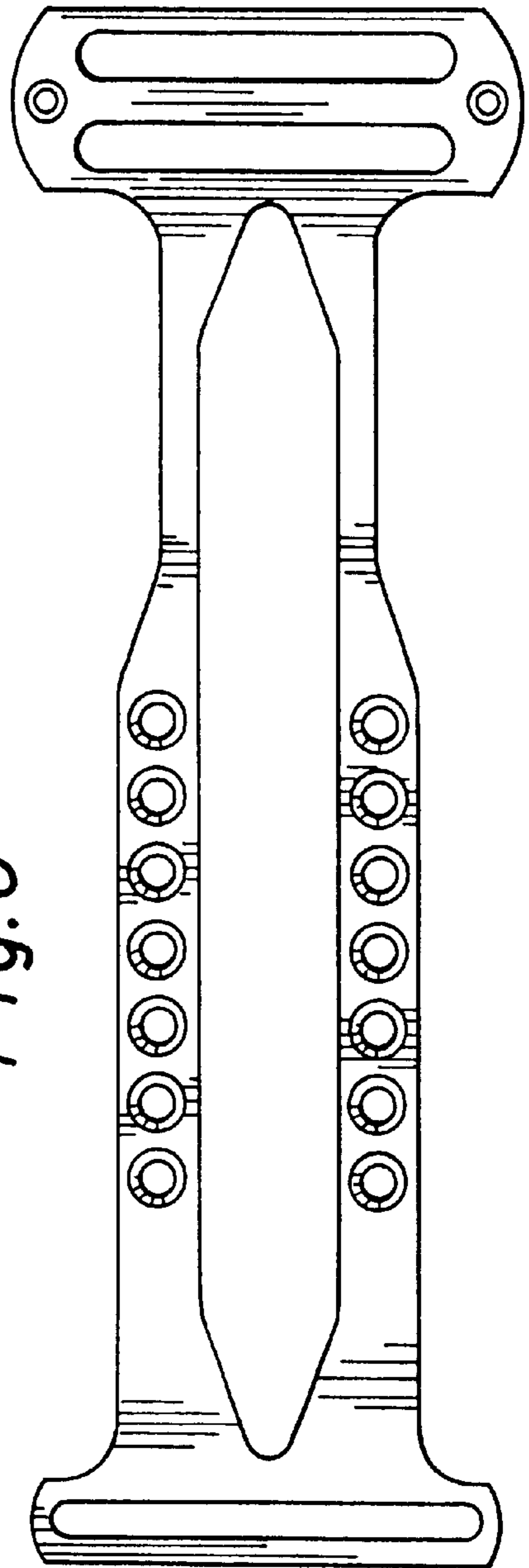


Fig.7

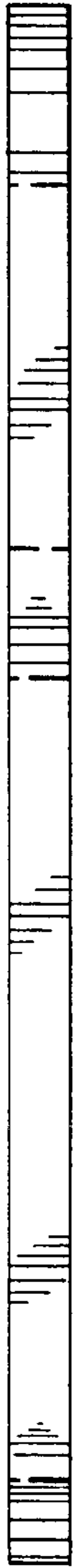


Fig.8



Fig.9



Fig.10

