



US00D469496S

(12) **United States Design Patent**
Schur

(10) **Patent No.:** **US D469,496 S**

(45) **Date of Patent:** **** Jan. 28, 2003**

(54) **COMBINED CHILDREN'S PLAY TENT WITH ATTACHED BED SHEET THEREFOR**

Primary Examiner—Raphael Barkai

(76) **Inventor:** **Shannon J. Schur**, 10423 Wemberley Hill Blvd., Louisville, KY (US) 40241

(57) **CLAIM**

The ornamental design for a combined children's play tent with attached bed sheet therefor, as shown and described.

(**) **Term:** **14 Years**

DESCRIPTION

(21) **Appl. No.:** **29/154,449**

FIG. 1 is a perspective view of a combined children's play tent with attached bed sheet therefor showing my new design thereof;

(22) **Filed:** **Jan. 25, 2002**

(51) **LOC (7) Cl.** **21-04**

FIG. 2 is a top elevational view shown in FIG. 1 thereof;

(52) **U.S. Cl.** **D21/834; D21/838**

FIG. 3 is a front elevational view as shown in FIG. 1 thereof;

(58) **Field of Search** D21/834-838;
D6/597; 135/116, 119, 127, 96, 121, 124-128,
143, 900-902

FIG. 4 is a left side elevational view as shown in FIG. 1 thereof;

FIG. 5 is a bottom elevational view thereof;

(56) **References Cited**

U.S. PATENT DOCUMENTS

- 4,590,956 A * 5/1986 Griesenbeck 135/127
- 4,766,918 A * 8/1988 Odekirk 135/96
- 5,240,021 A * 8/1993 Snodgrass 135/96
- 5,311,813 A * 5/1994 Fairbanks 135/128
- 6,109,280 A * 8/2000 Custer 135/124

FIG. 6 is a front plan view side of FIG. 7 thereof;

FIG. 7 is a top plan view in an open condition of use thereof;

FIG. 8 is a side plan view of FIG. 9 thereof; and,

FIG. 9 is a bottom plan in an open condition of use thereof.

The rear view of FIG. 3 is a mirror image view thereof.

The right side of FIG. 4 is a mirror image view thereof.

The broken line shown in FIGS. 1, 2, 3, 4 exemplifying the "viewing aperture" is for illustrative purposes only and forms no part of the claimed design.

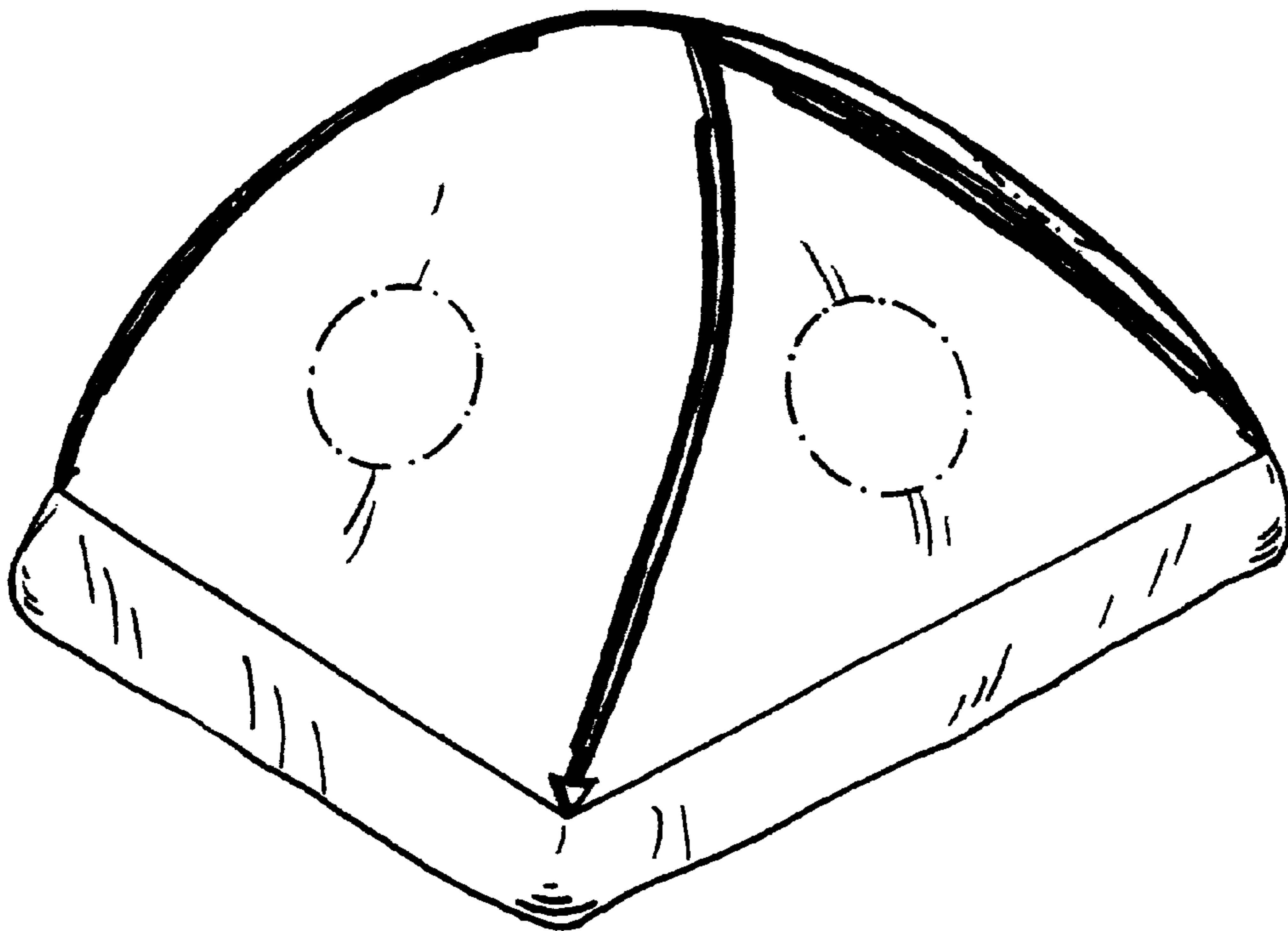
OTHER PUBLICATIONS

Hong-Kong Toys, p. 403, Feb. 1997.*

Holsaint Trading Limited, Feb. 1995.*

* cited by examiner

1 Claim, 5 Drawing Sheets



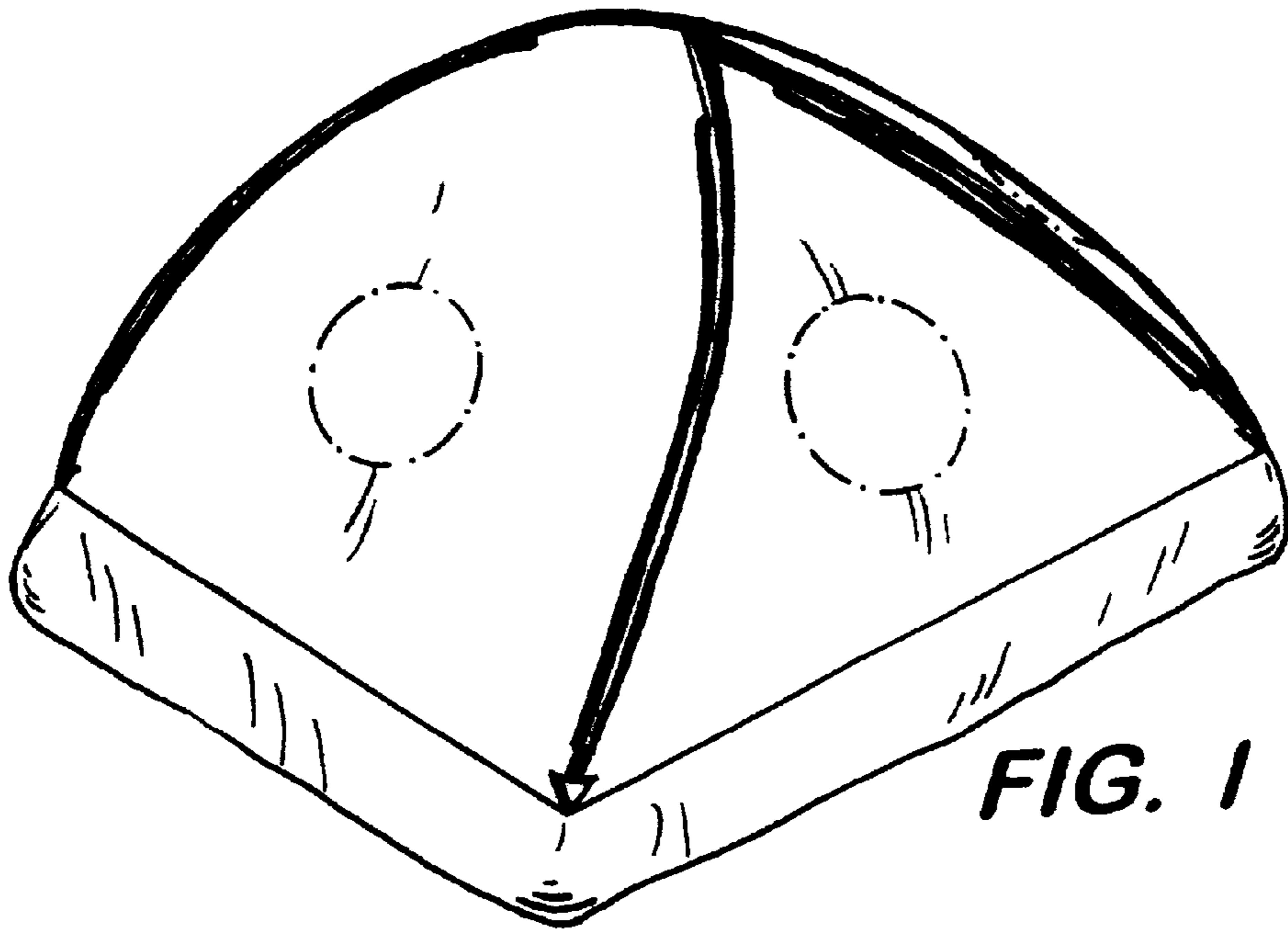


FIG. 1

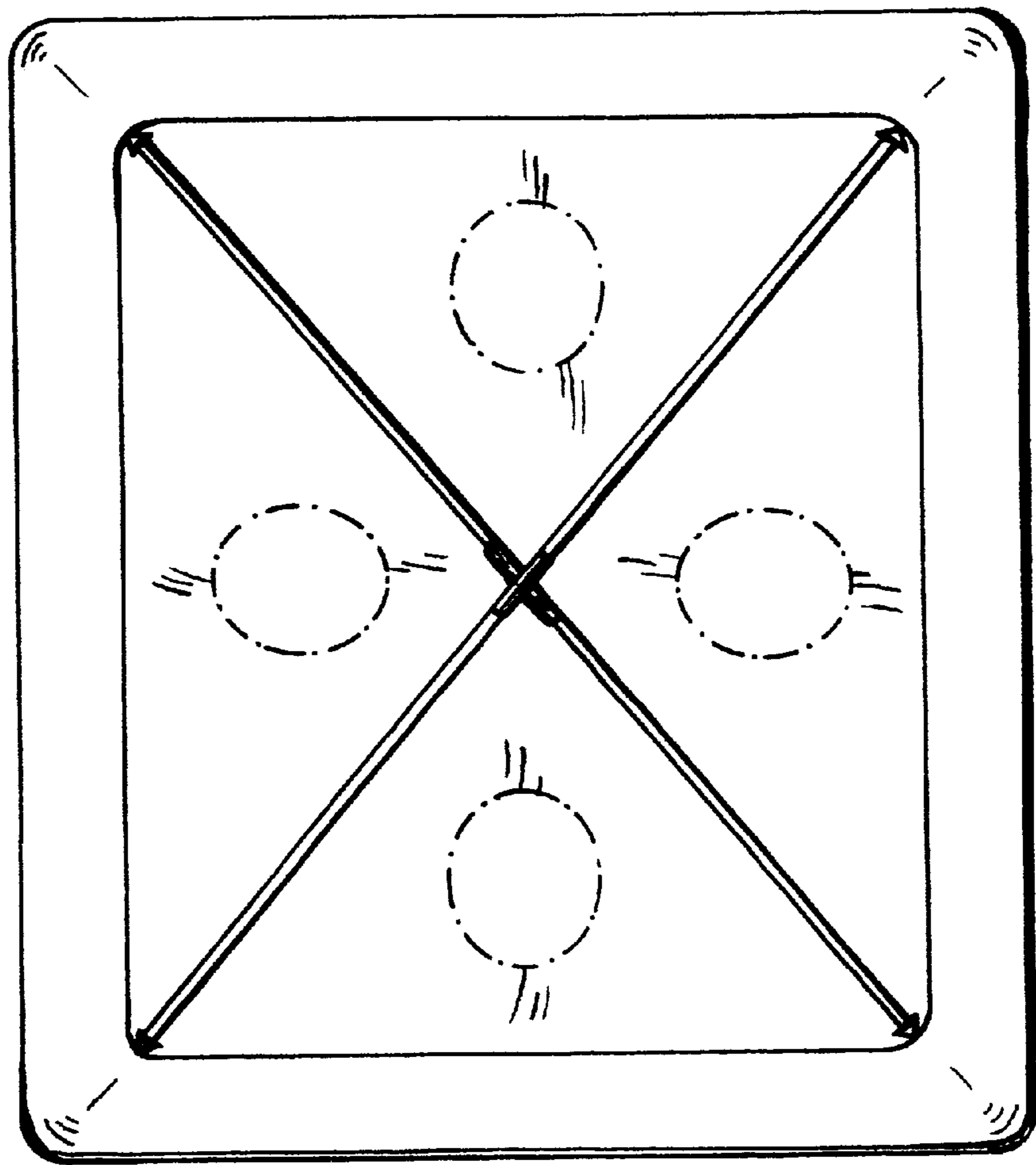


FIG. 2

FIG. 3

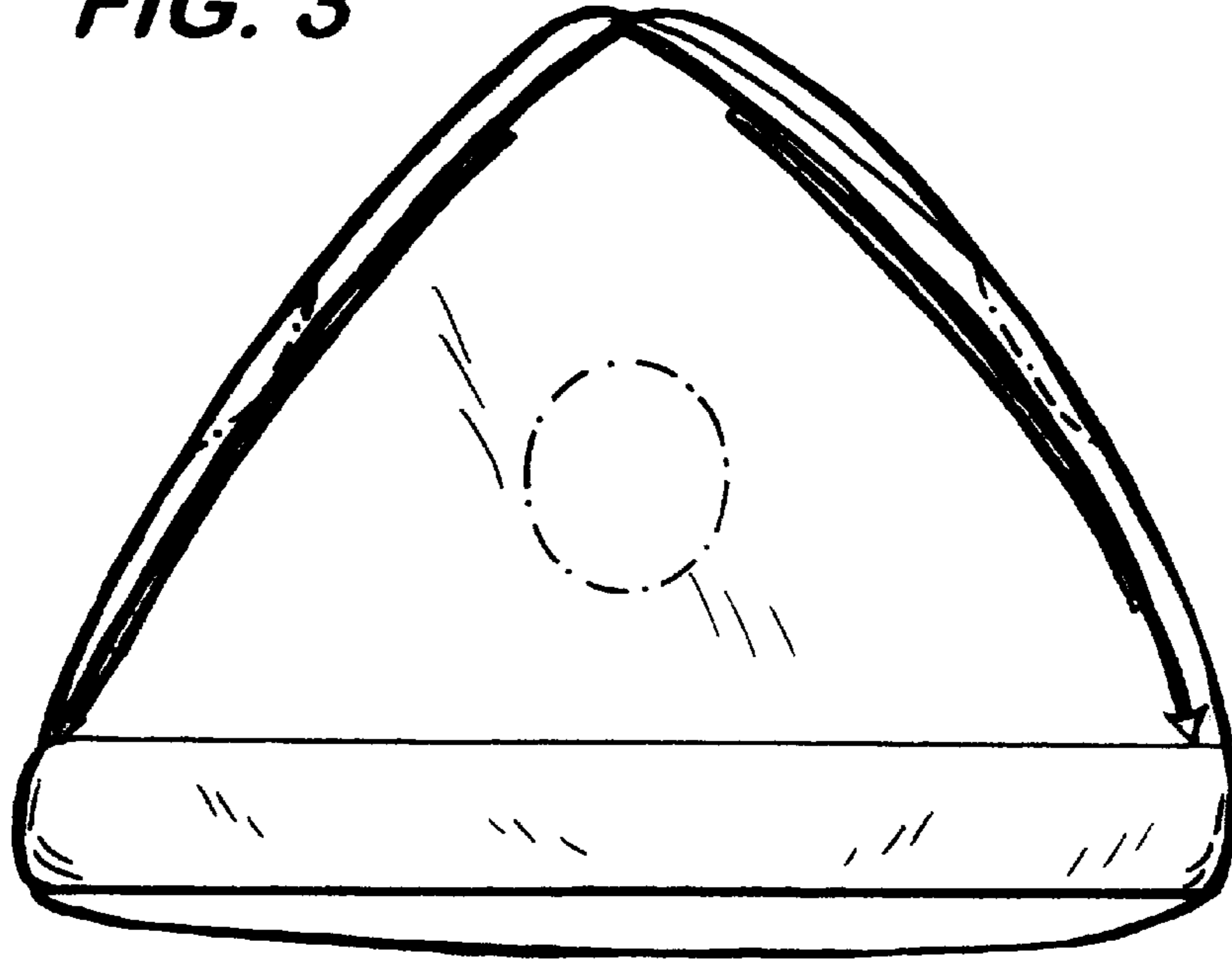


FIG. 4

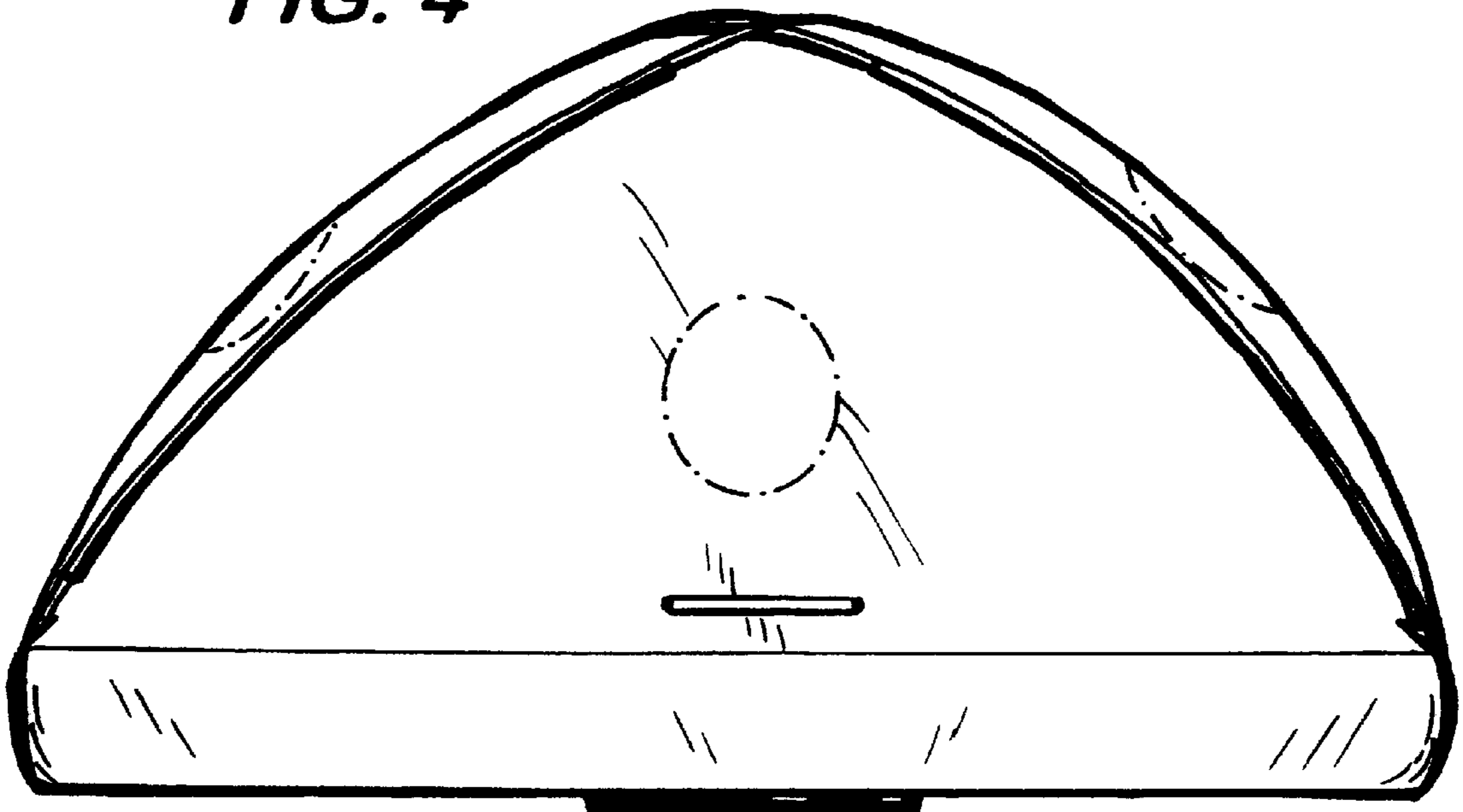


FIG. 5

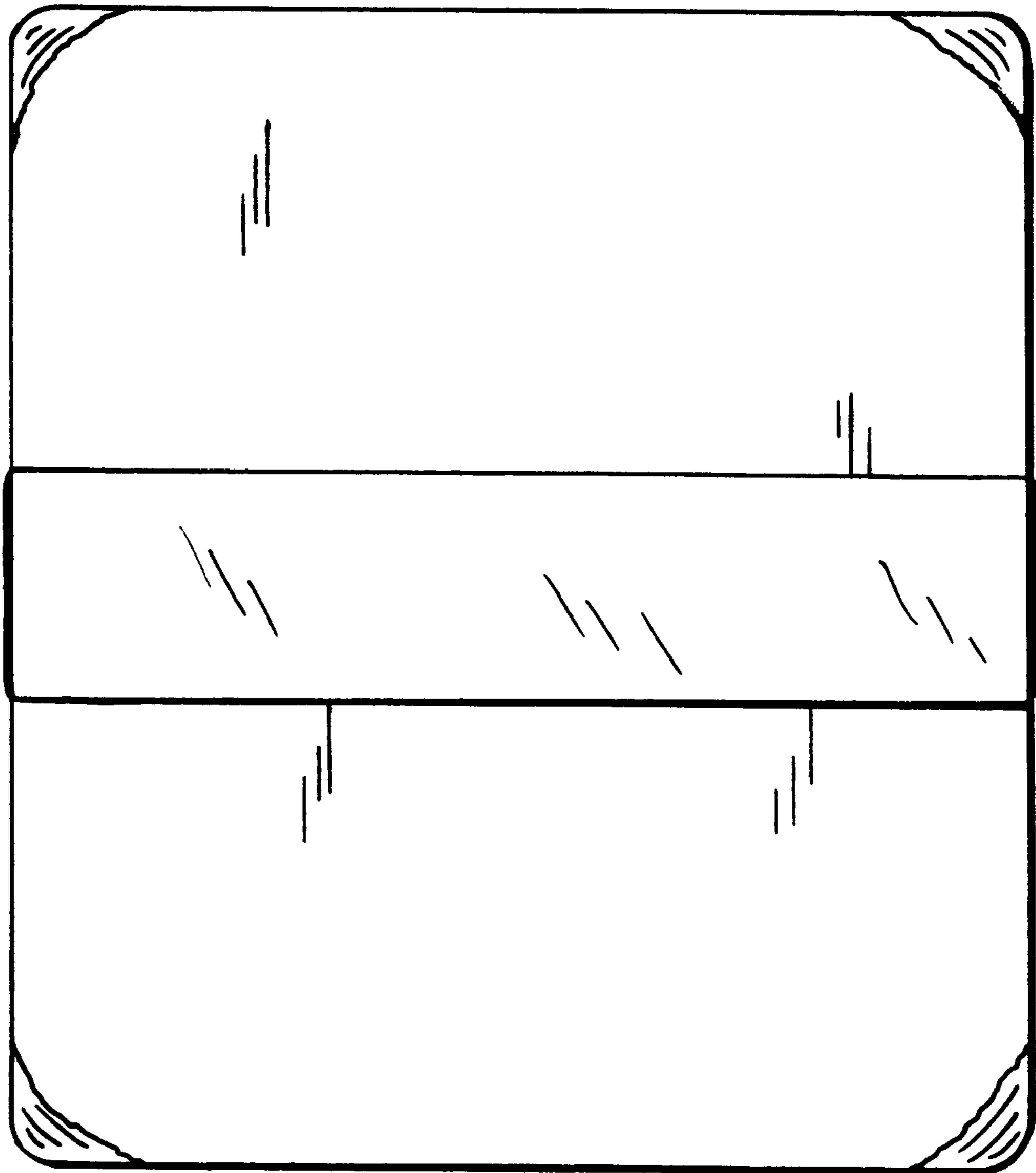


FIG. 6

