



US00D469484S

(12) **United States Design Patent**
Dawson

(10) **Patent No.:** **US D469,484 S**

(45) **Date of Patent:** **** Jan. 28, 2003**

(54) **EXERCISE DEVICE**

(76) **Inventor:** **Steven J. Dawson**, 7 Bryan Dr.,
Malvern, PA (US) 19355

(**) **Term:** **14 Years**

(21) **Appl. No.:** **29/155,553**

(22) **Filed:** **Feb. 14, 2002**

(51) **LOC (7) Cl.** **21-02**

(52) **U.S. Cl.** **D21/662; D21/684**

(58) **Field of Search** D21/662, 681,
D21/682, 683, 684, 712, 713; 482/91, 148,
132

(56) **References Cited**

U.S. PATENT DOCUMENTS

D244,628 S	*	6/1977	Wright	D21/682
D271,407 S	*	11/1983	Wright	D21/682
4,632,391 A	*	12/1986	Orak	482/110
4,695,051 A		9/1987	Jenison		
D302,195 S	*	7/1989	Orak	D21/682

D343,660 S	*	1/1994	Hwang	D21/682
5,509,877 A		4/1996	Adams	482/108
5,823,922 A		10/1998	Eckmann	482/108
D438,265 S	*	2/2001	Fenelon	D21/682

* cited by examiner

Primary Examiner—Philip S. Hyder

(74) *Attorney, Agent, or Firm*—Gregory J. Gore

(57) **CLAIM**

The ornamental design for an exercise device, as shown and described.

DESCRIPTION

FIG. 1 is a perspective view showing my new design for an exercise device;

FIG. 2 is a top plan view thereof;

FIG. 3 is a side elevational view, both side elevational views being identical;

FIG. 4 is a side elevational view rotated 45 degrees; and,

FIG. 5 is a rear elevation view thereof.

1 Claim, 2 Drawing Sheets

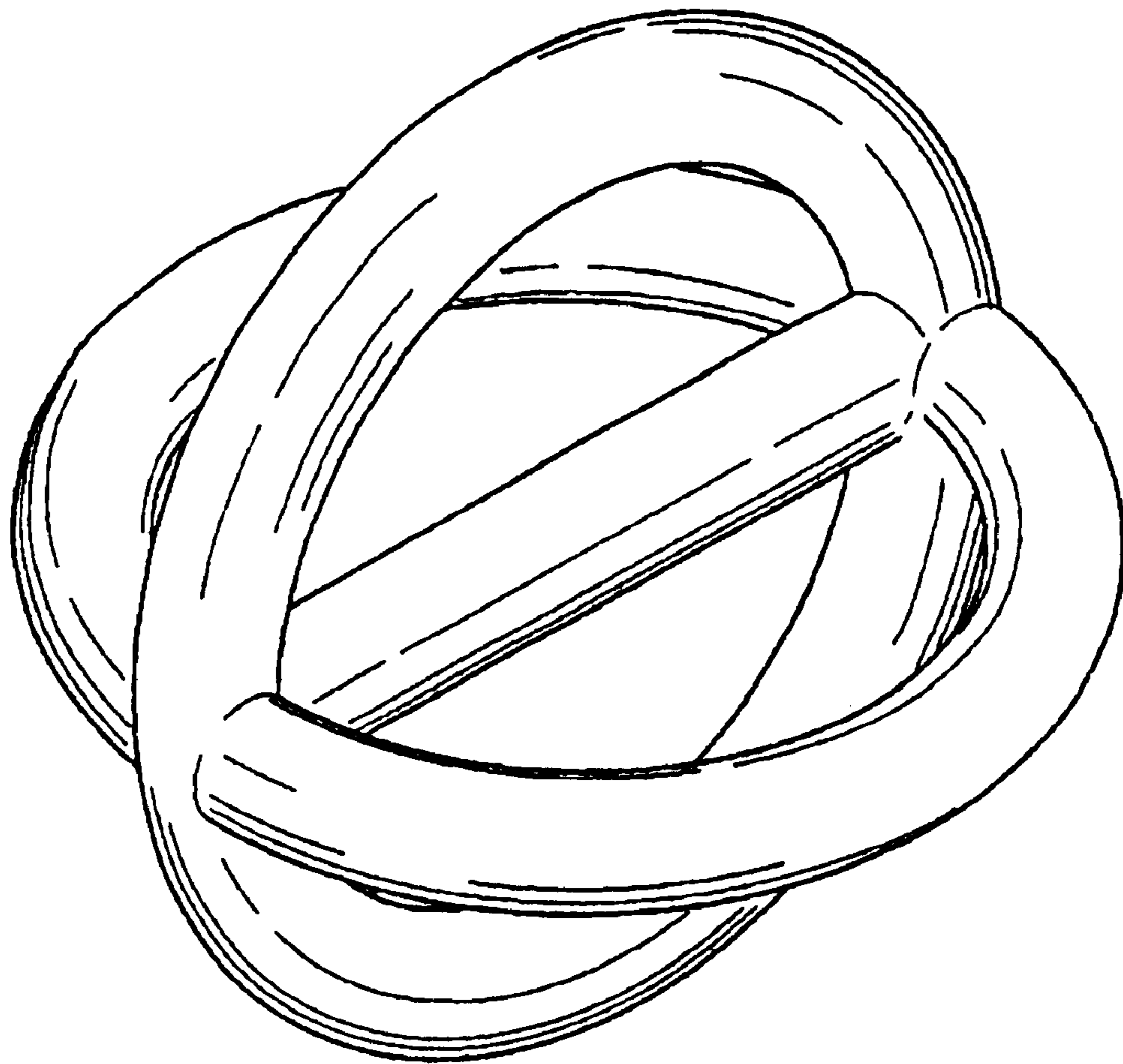


FIG. 1

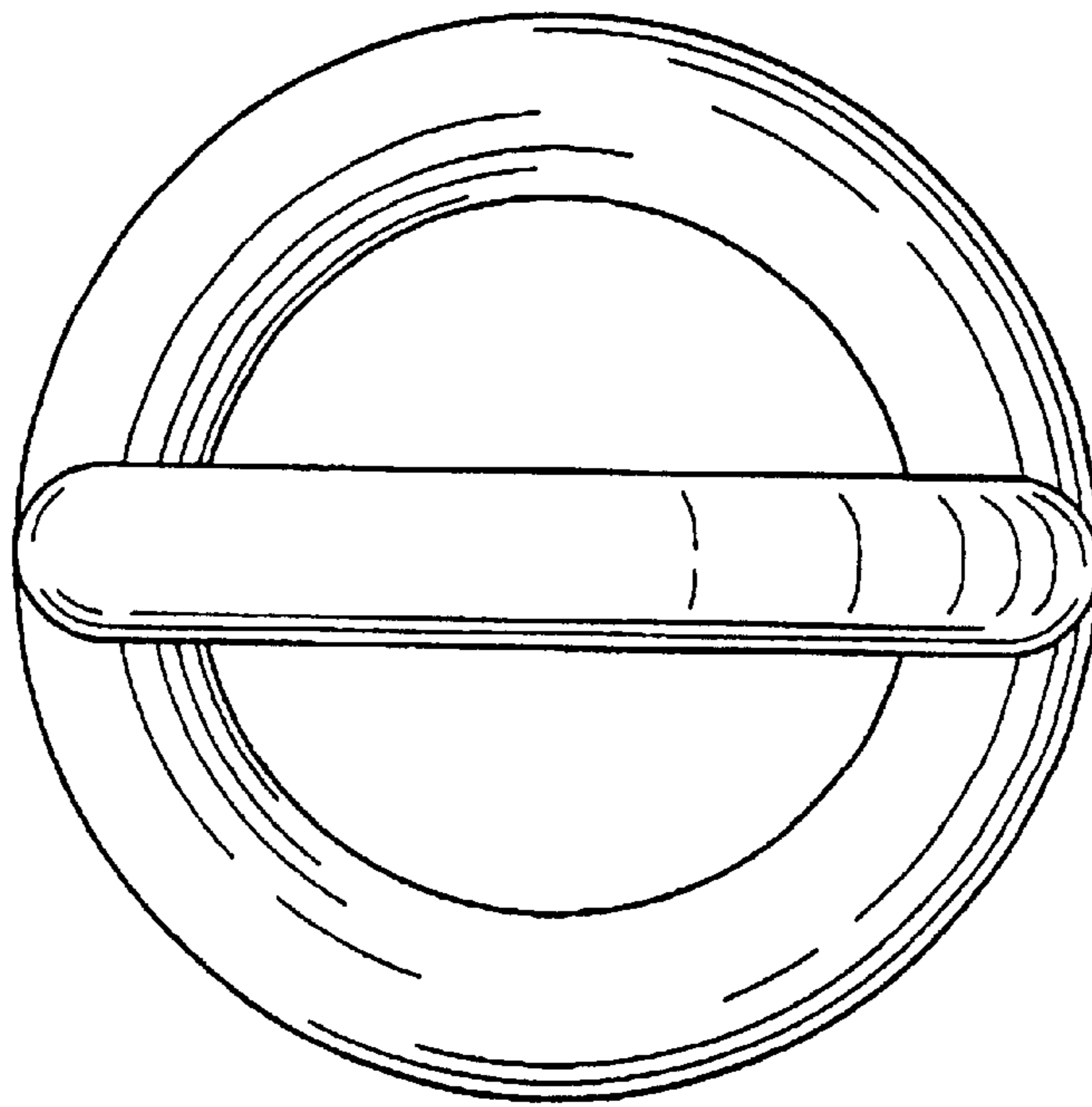
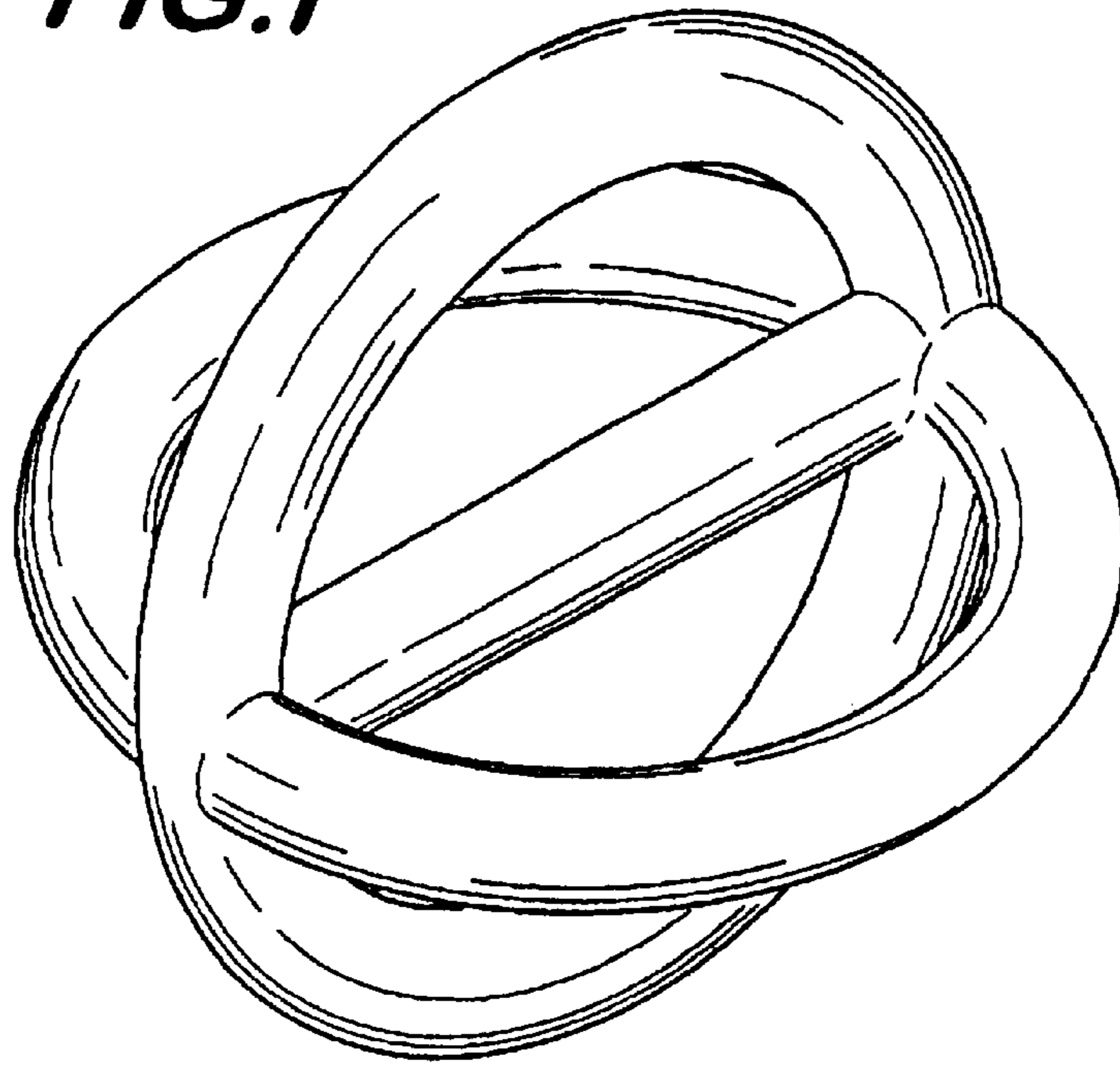


FIG. 2

FIG. 3

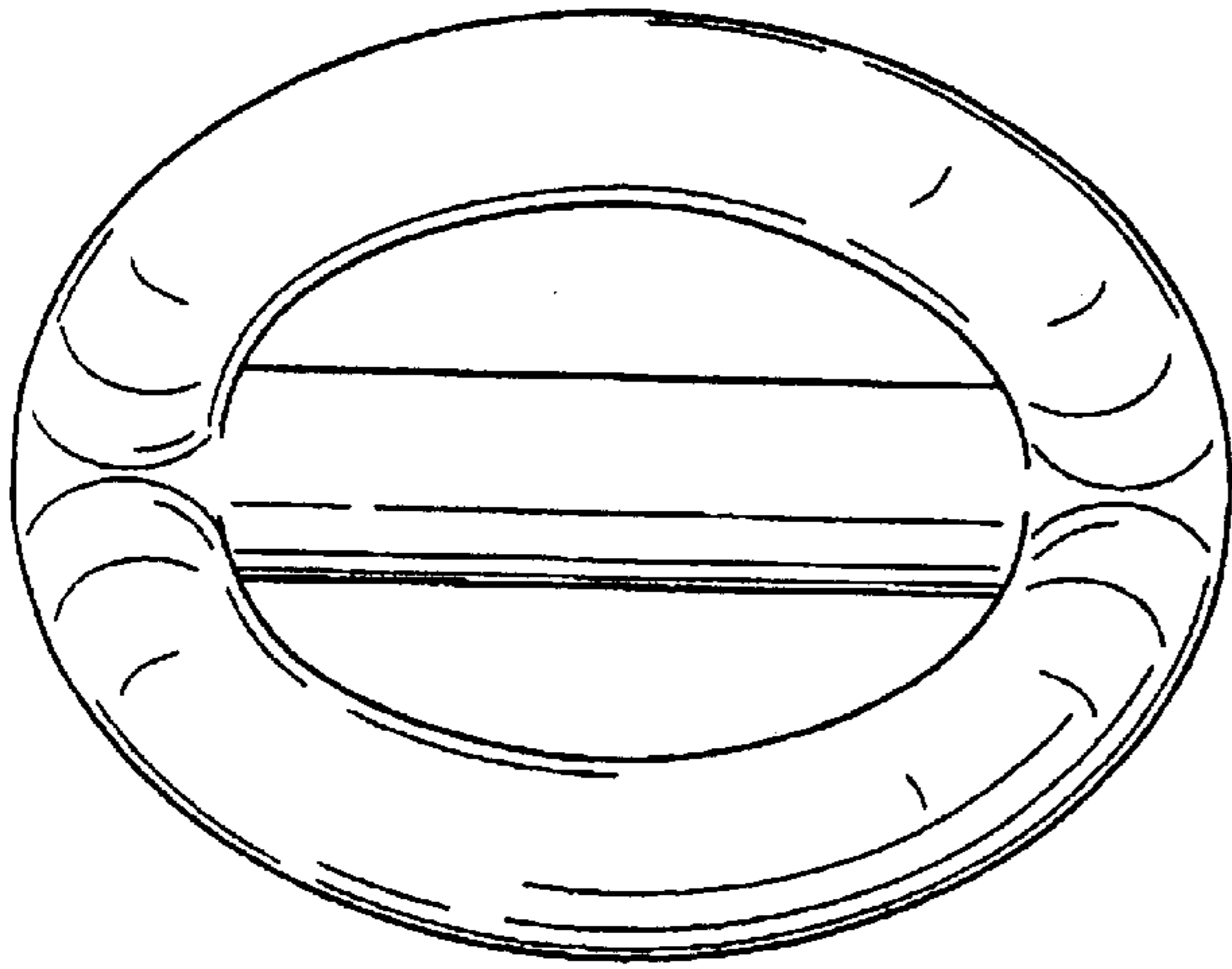
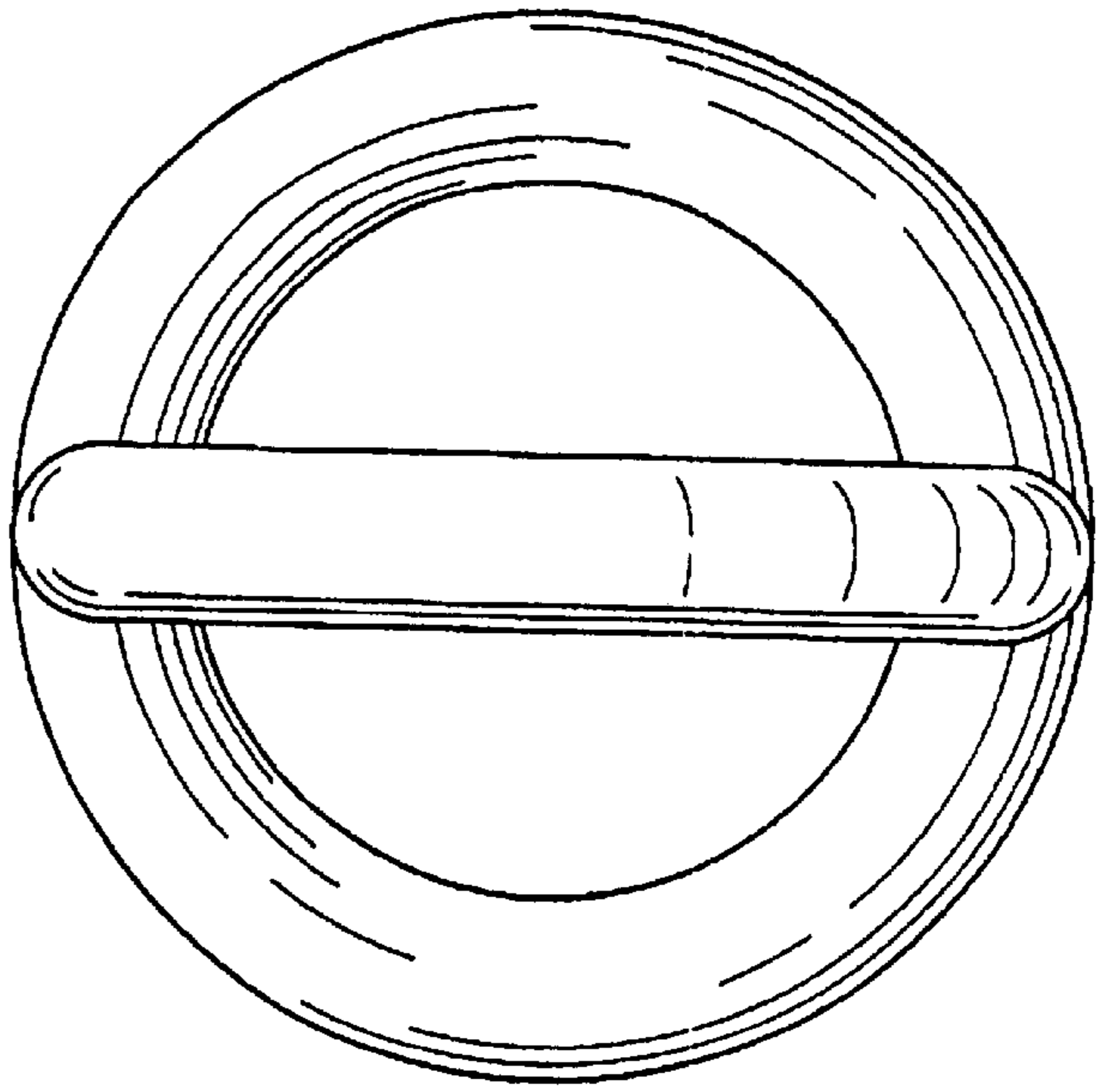


FIG. 4

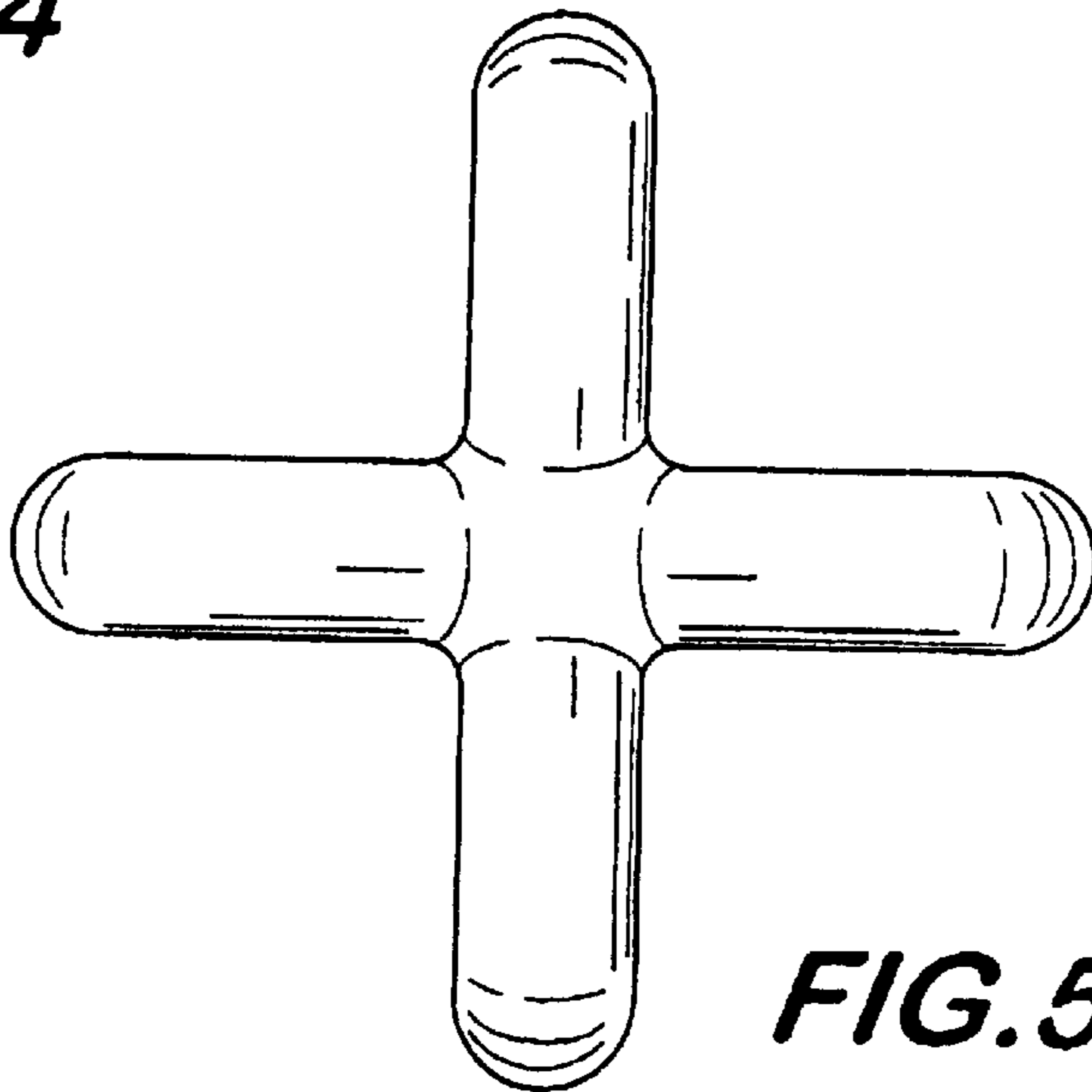


FIG. 5