

US00D469477S

(12) **United States Design Patent**  
**Horchler**

(10) **Patent No.:** **US D469,477 S**

(45) **Date of Patent:** **\*\* Jan. 28, 2003**

(54) **FOOT-TO-FLOOR RIDE-ON VEHICLE**

(75) Inventor: **Jack Horchler**, Mokena, IL (US)

(73) Assignee: **Tek Nek Toys International, Inc.**,  
Mokena, IL (US)

(\*\*) Term: **14 Years**

(21) Appl. No.: **29/160,286**

(22) Filed: **May 8, 2002**

(51) **LOC (7) Cl.** ..... **21-01**

(52) **U.S. Cl.** ..... **D21/424**

(58) **Field of Search** ..... D21/419-435,  
D21/533, 548; D12/1, 3, 16, 107, 108,  
112; 280/87.01, 87.021; 446/440, 29, 465,  
470

(56) **References Cited**

**U.S. PATENT DOCUMENTS**

- D207,785 S \* 5/1967 Rockwell
- D224,255 S \* 7/1972 Novak, Jr.
- D346,412 S \* 4/1994 Chou
- D409,255 S \* 5/1999 Han ..... D21/419

\* cited by examiner

*Primary Examiner*—Raphael Barkai  
(74) *Attorney, Agent, or Firm*—Michael Best & Friedrich LLC

(57) **CLAIM**

The ornamental design for a foot-to-floor ride-on vehicle, as shown and described.

**DESCRIPTION**

FIG. 1 is a front perspective view of the foot-to-floor ride-on vehicle.

FIG. 2 is a front elevation view of the foot-to-floor ride-on vehicle depicted in FIG. 1.

FIG. 3 is a rear elevation view of the foot-to-floor ride-on vehicle depicted in FIG. 1.

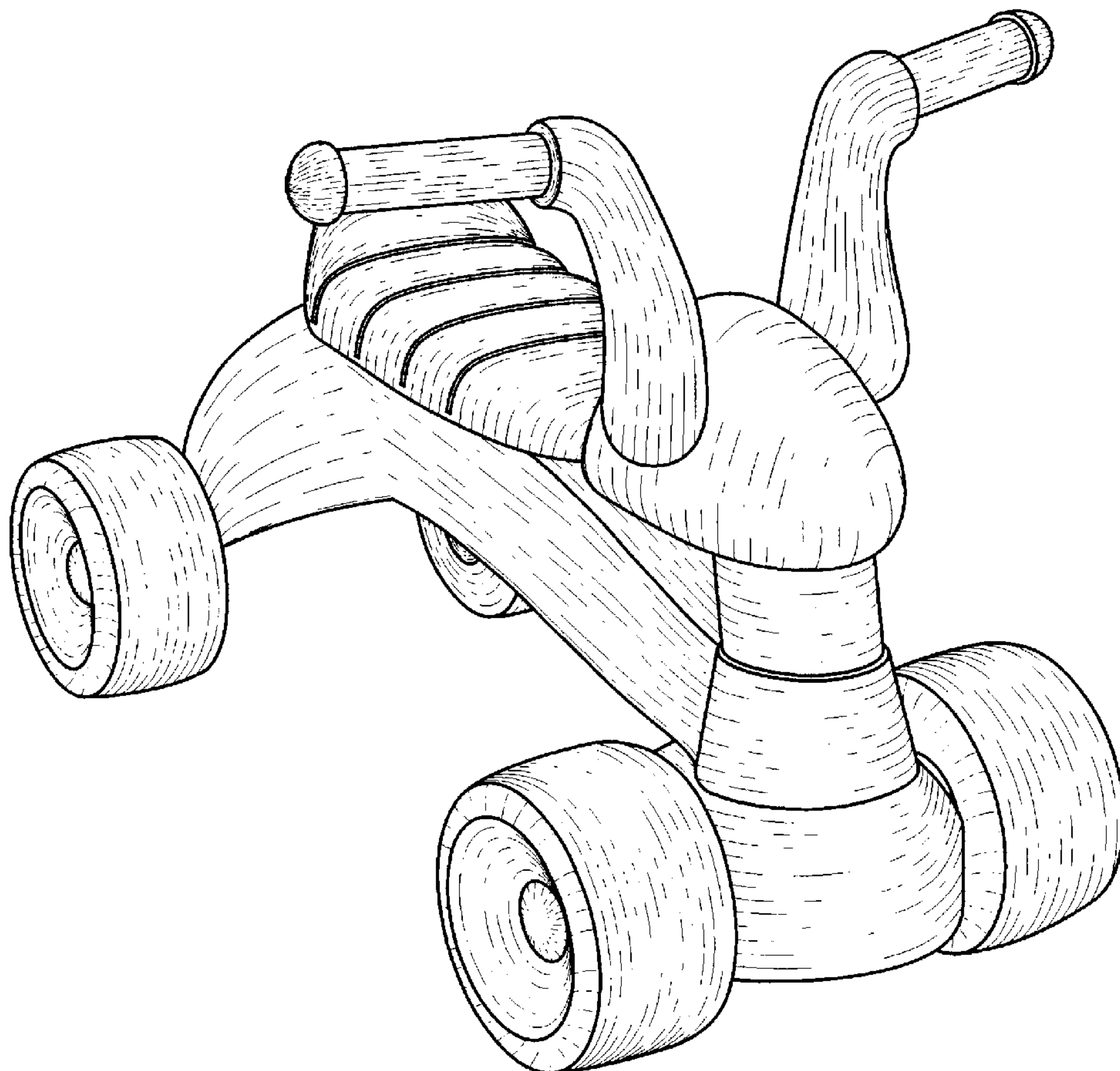
FIG. 4 is a top plan view of the foot-to-floor ride-on vehicle depicted in FIG. 1.

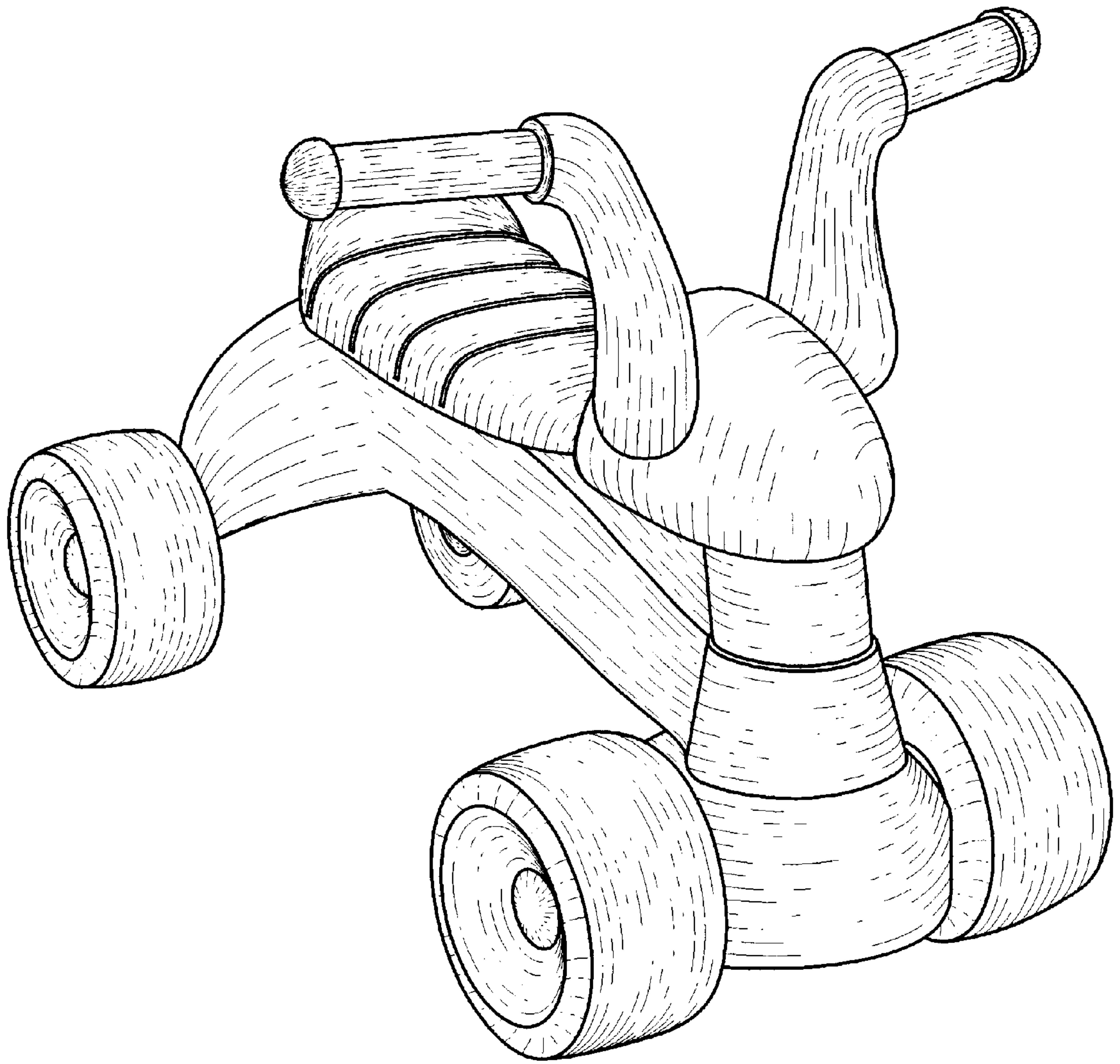
FIG. 5 is a bottom plan view of the foot-to-floor ride-on vehicle depicted in FIG. 1.

FIG. 6 is a right side elevation view of the foot-to-floor ride-on vehicle depicted in FIG. 1. The left side elevation view of the foot-to-floor ride-on vehicle depicted in FIG. 1 is a mirror image of FIG. 6; and,

FIG. 7 is a partial rear elevation view of the handlebars and the control panel of the foot-to-floor ride-on vehicle depicted in FIG. 1.

**1 Claim, 4 Drawing Sheets**





**FIG. 1**

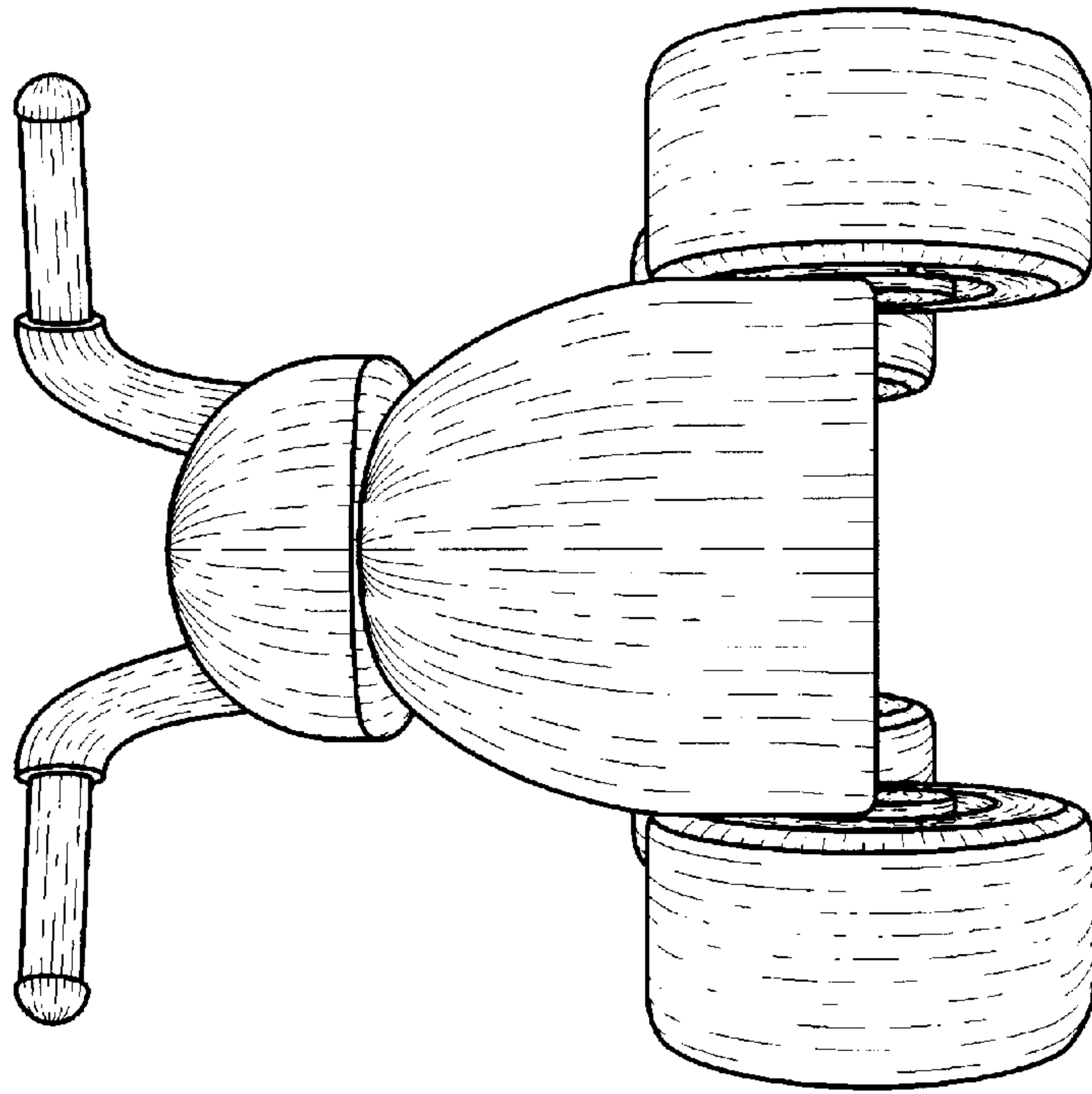


FIG. 3

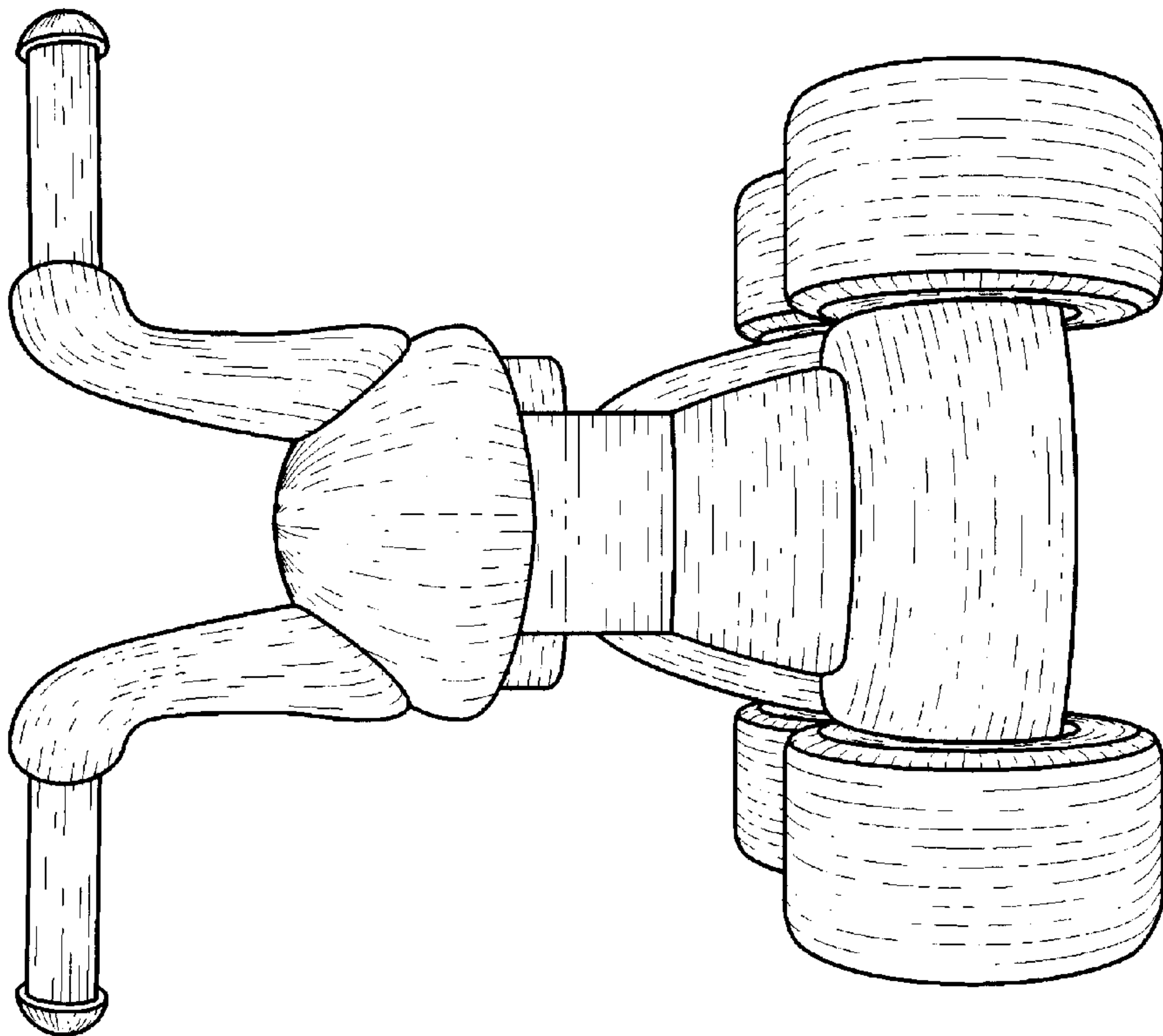


FIG. 2



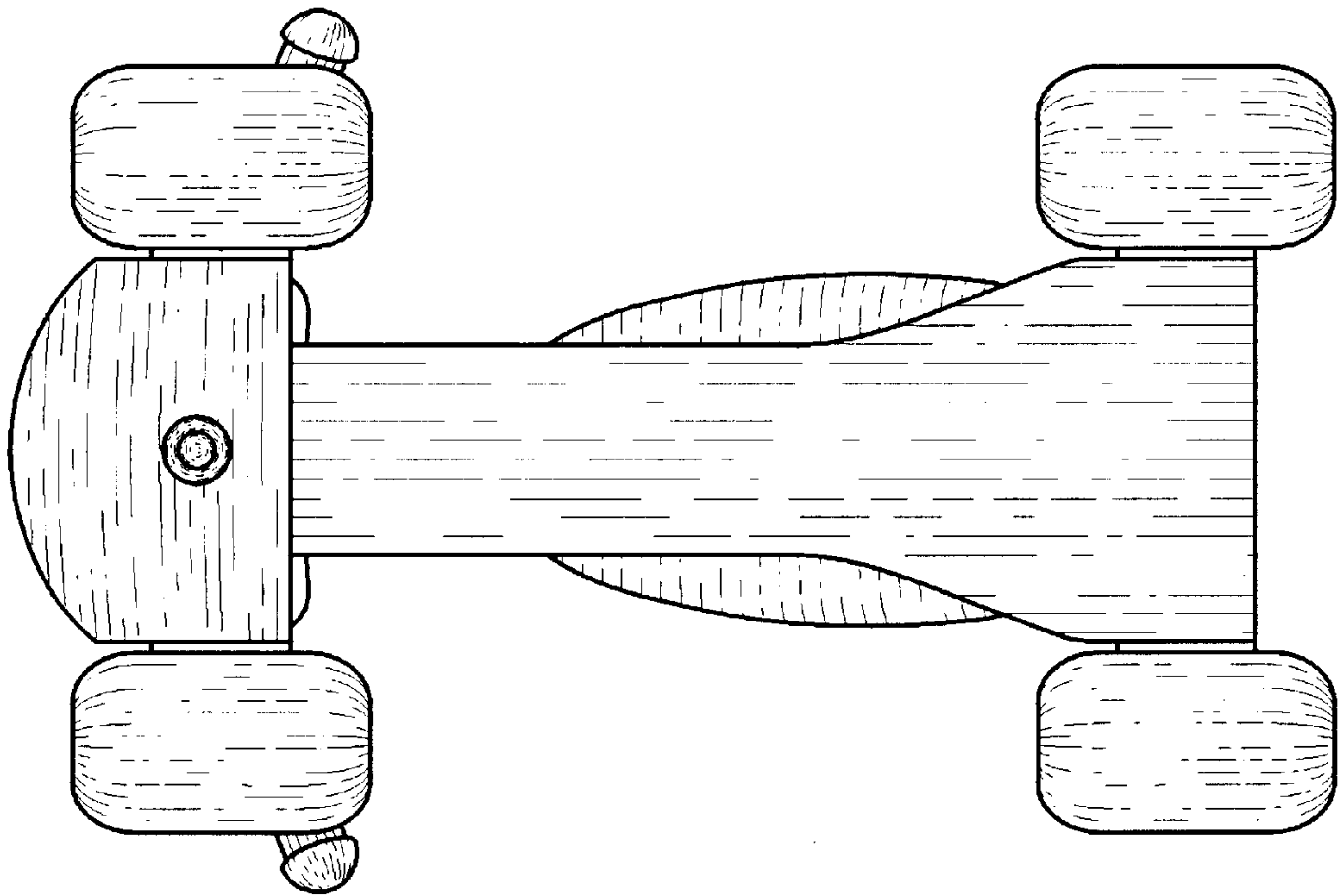


FIG. 5

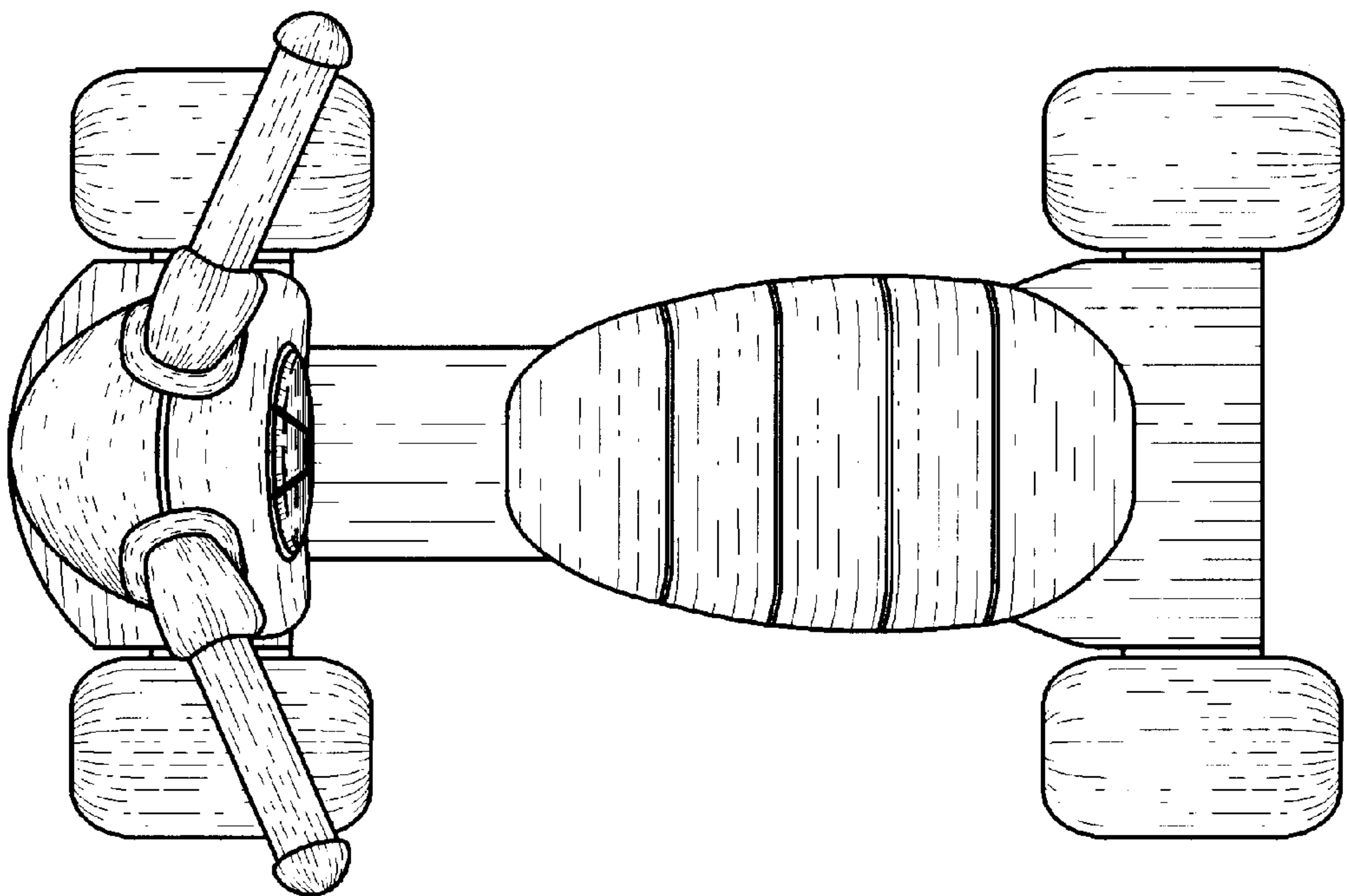


FIG. 4

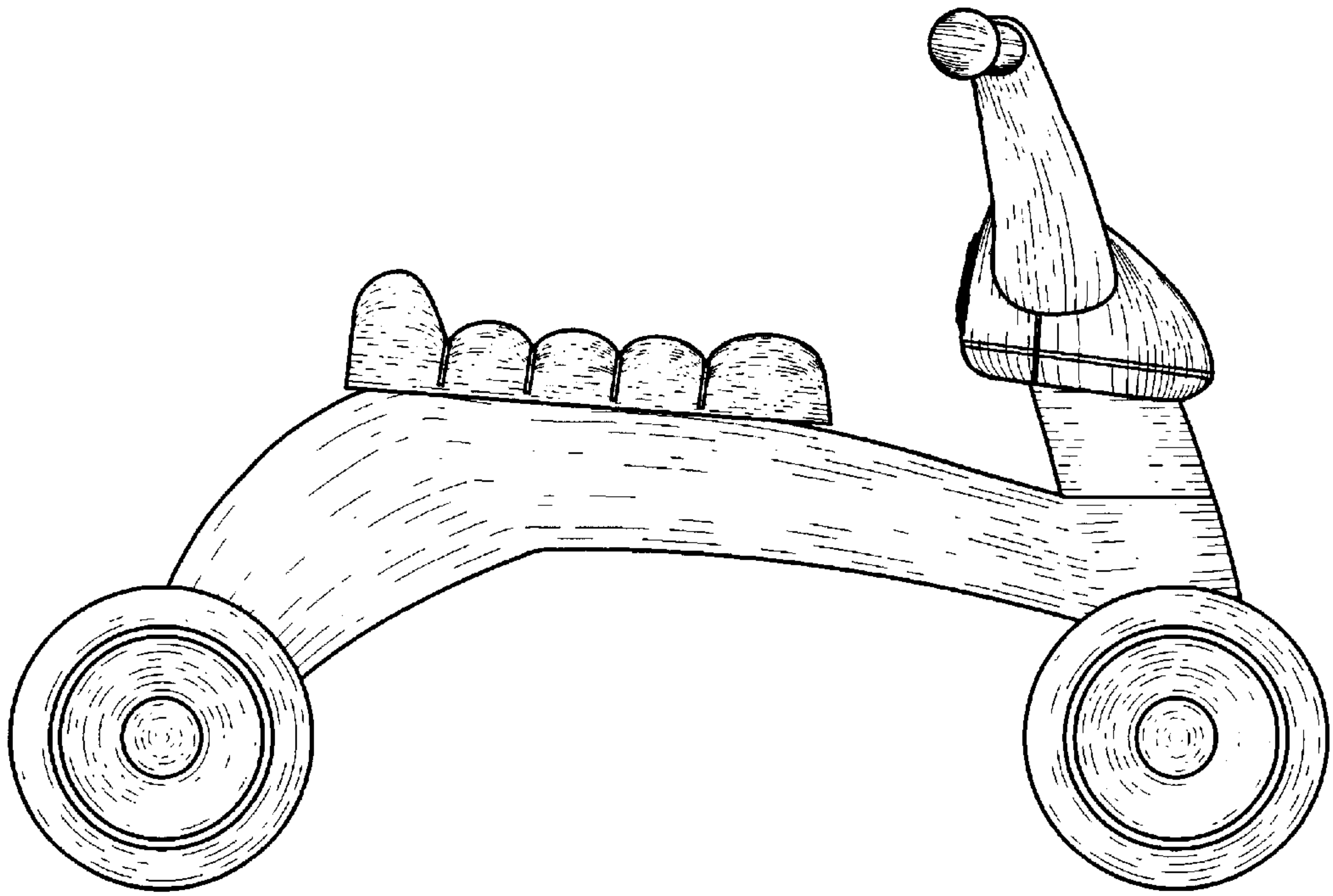


FIG. 6

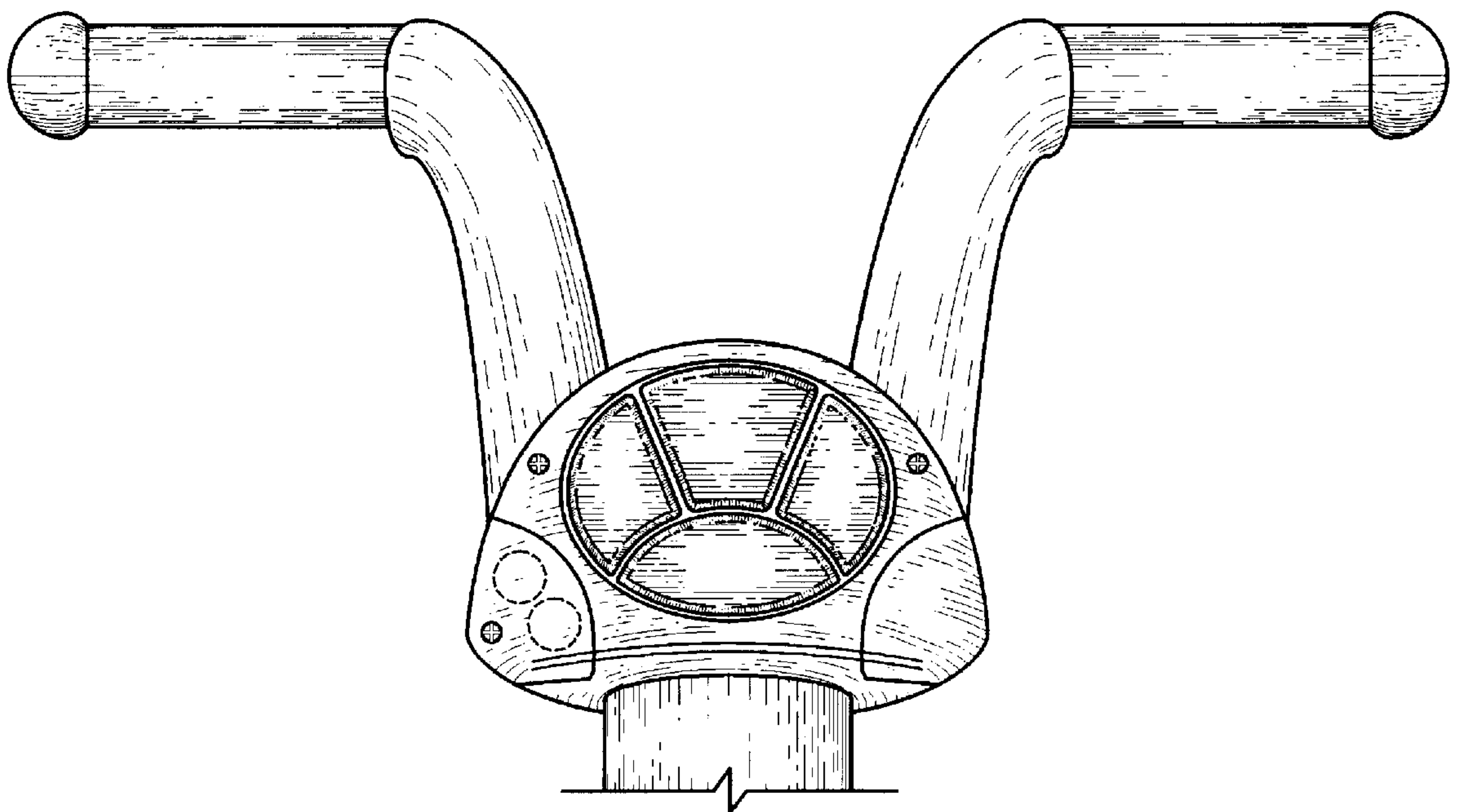


FIG. 7