



US00D469472S

(12) **United States Design Patent**
Gladden, III

(10) **Patent No.:** **US D469,472 S**

(45) **Date of Patent:** **** Jan. 28, 2003**

(54) **SAFETY TAG HOLDER**

(76) **Inventor:** **S. W. Buck Gladden, III**, P.O. Box
14814, Baton Rouge, LA (US) 70898

(**) **Term:** **14 Years**

D307,301 S	*	4/1990	Kraus	
D314,016 S	*	1/1991	Mitchell	
D316,877 S	*	5/1991	Mitchell D20/43
D320,414 S	*	10/1991	Morgan D20/22
D359,443 S	*	6/1995	Johansson	
D383,167 S	*	9/1997	Carlson D20/22

(21) **Appl. No.:** **29/146,692**

(22) **Filed:** **Aug. 13, 2001**

(51) **LOC (7) Cl.** **20-03**

(52) **U.S. Cl.** **D20/43**

(58) **Field of Search** D20/10, 22, 26,
D20/42, 43; 40/310, 331, 360, 599, 611,
617, 642.02, 649, 907

(56) **References Cited**

U.S. PATENT DOCUMENTS

D50,040 S	*	12/1916	Sherer	
1,669,782 A	*	5/1928	Risser	
1,768,715 A	*	7/1930	Hopp et al.	
2,857,695 A	*	10/1958	Goetting 40/645
D217,318 S	*	4/1970	Walldorf	
4,270,292 A	*	6/1981	Eckberg, II	
4,356,646 A	*	11/1982	Johnson et al.	
D279,586 S	*	7/1985	Flies D20/22
D291,897 S	*	9/1987	Flies D20/22
4,897,945 A	*	2/1990	Webb 40/331

OTHER PUBLICATIONS

PCTSE97/01761 Ohlson, filed on Apr. 29, 1999, Sweden.*

* cited by examiner

Primary Examiner—Robert M. Spear

(74) *Attorney, Agent, or Firm*—Roy, Kiesel, Keegan & DeNicola

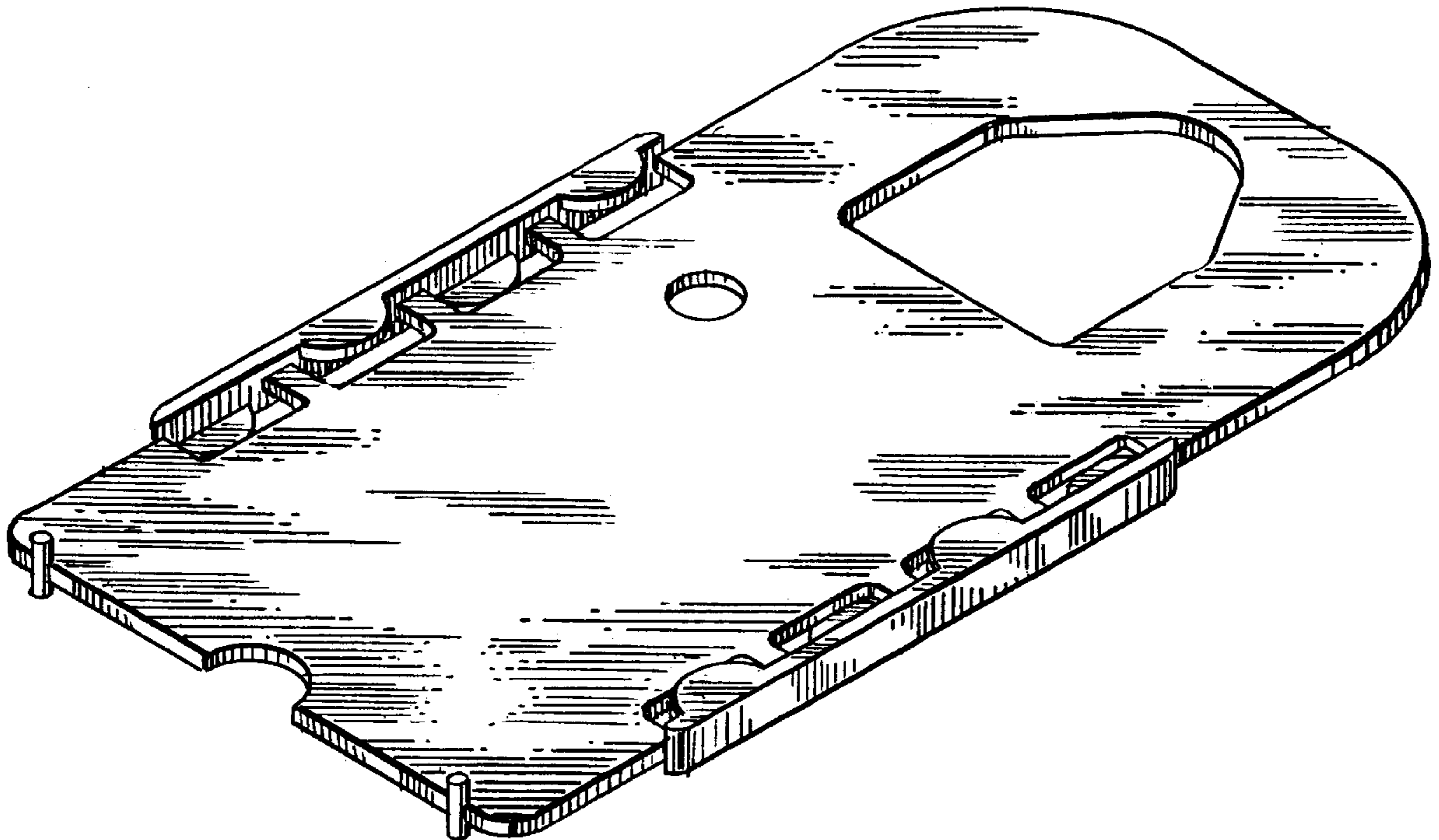
(57) **CLAIM**

The ornamental design for a safety tag holder, as shown.

DESCRIPTION

FIG. 1 is a front view of the safety tag holder.
FIG. 2 is a side view of the safety tag holder.
FIG. 3 is a back view of the safety tag holder.
FIG. 4 is a bottom view of the safety tag holder.
FIG. 5 is a top view of the safety tag holder; and,
FIG. 6 is an isometric view of the safety tag holder.

1 Claim, 3 Drawing Sheets



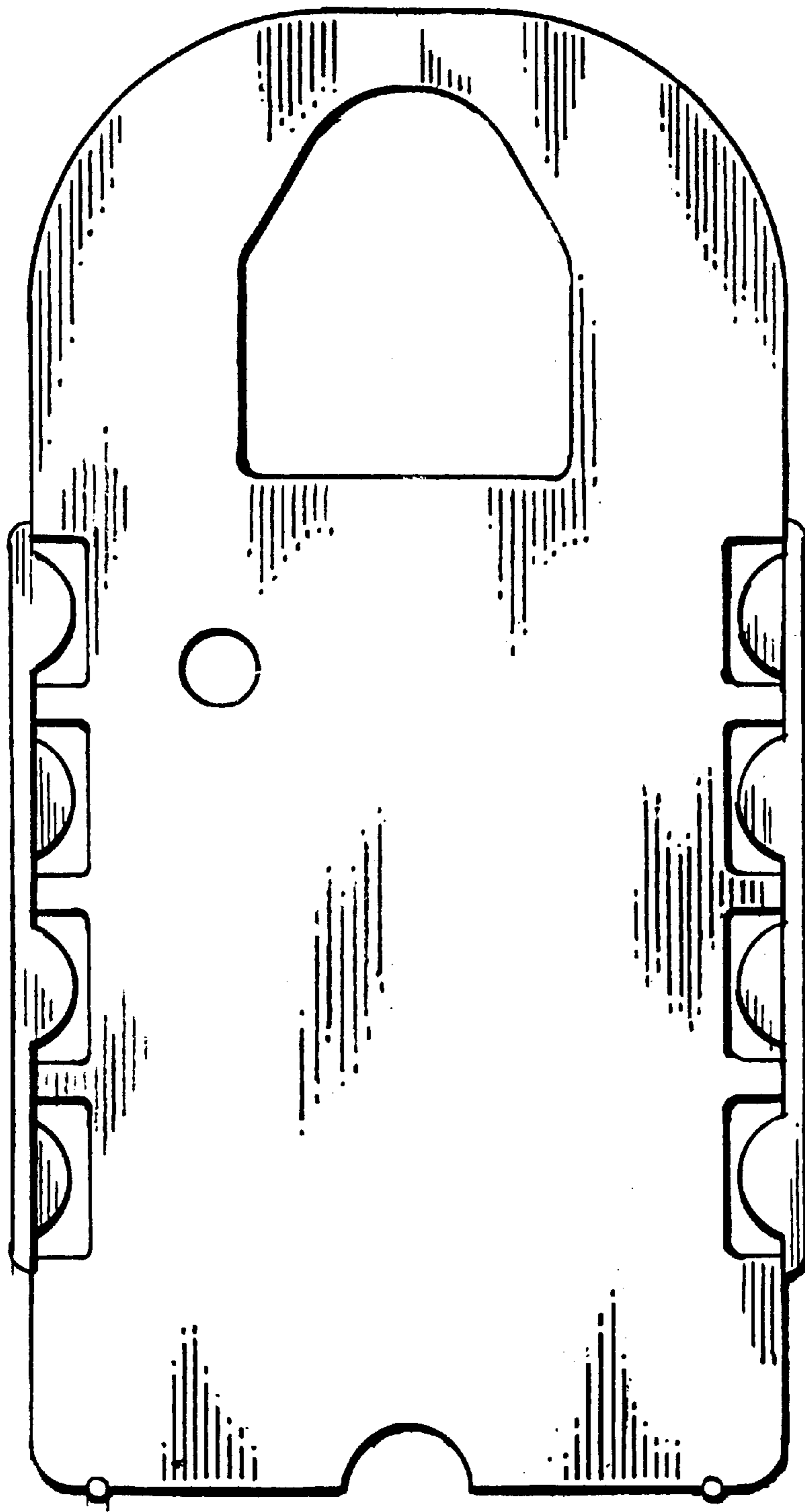
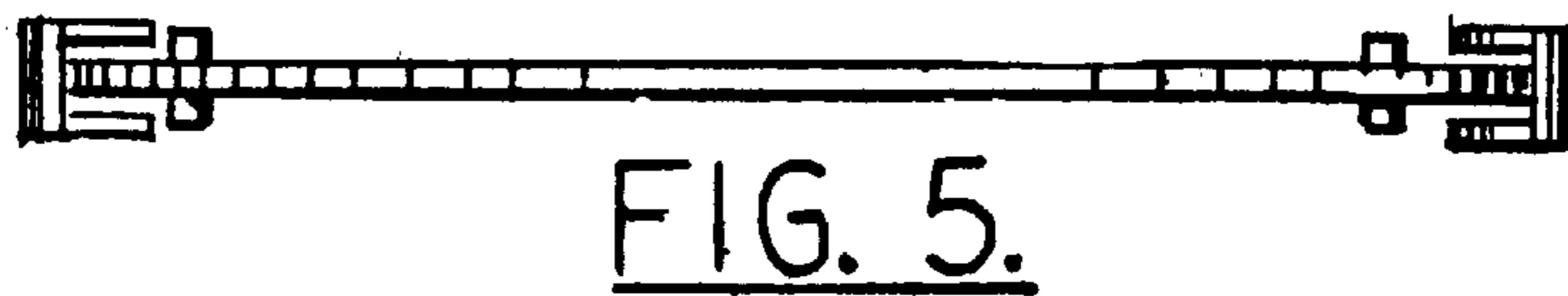
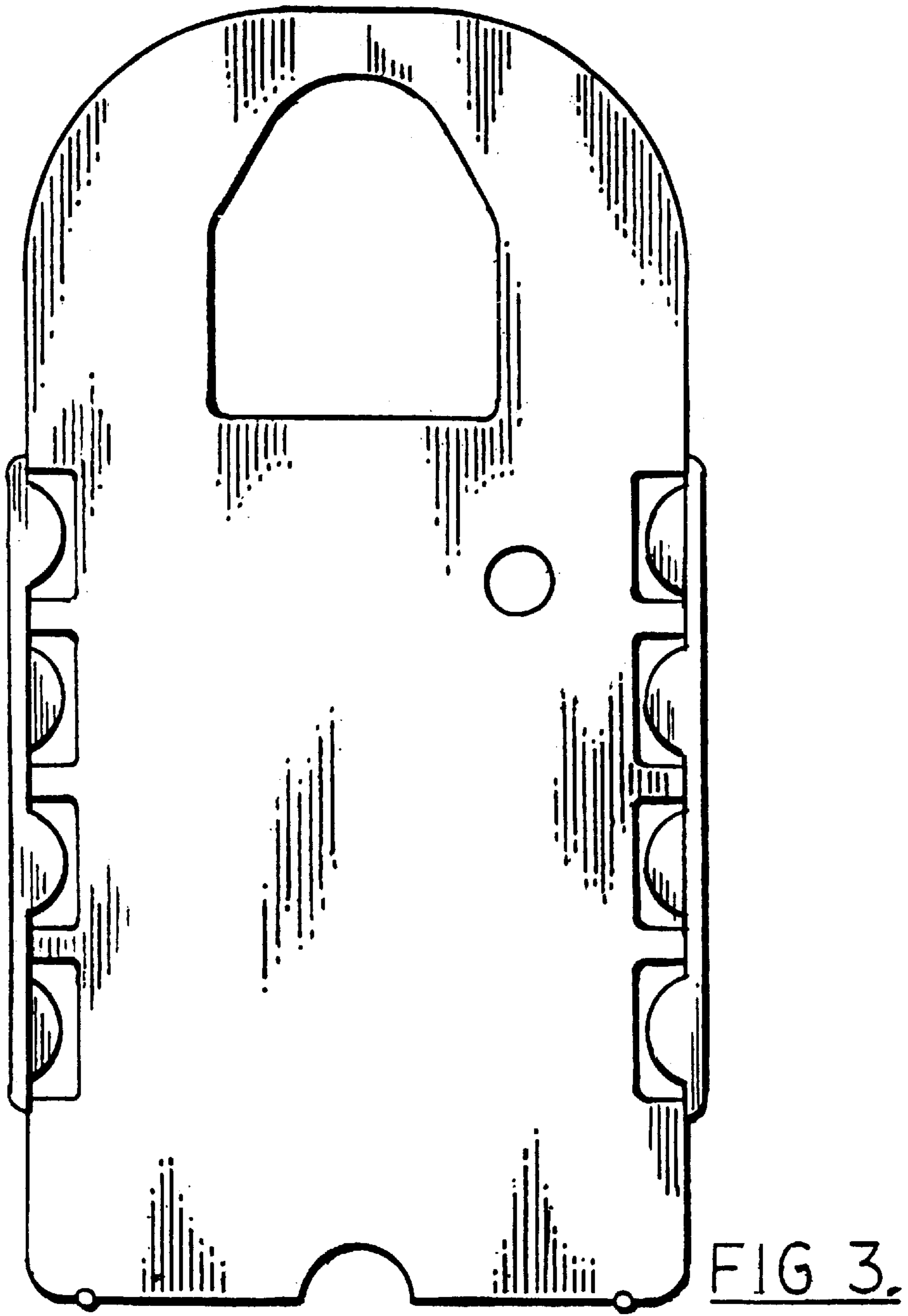


FIG. 1.



FIG. 2.



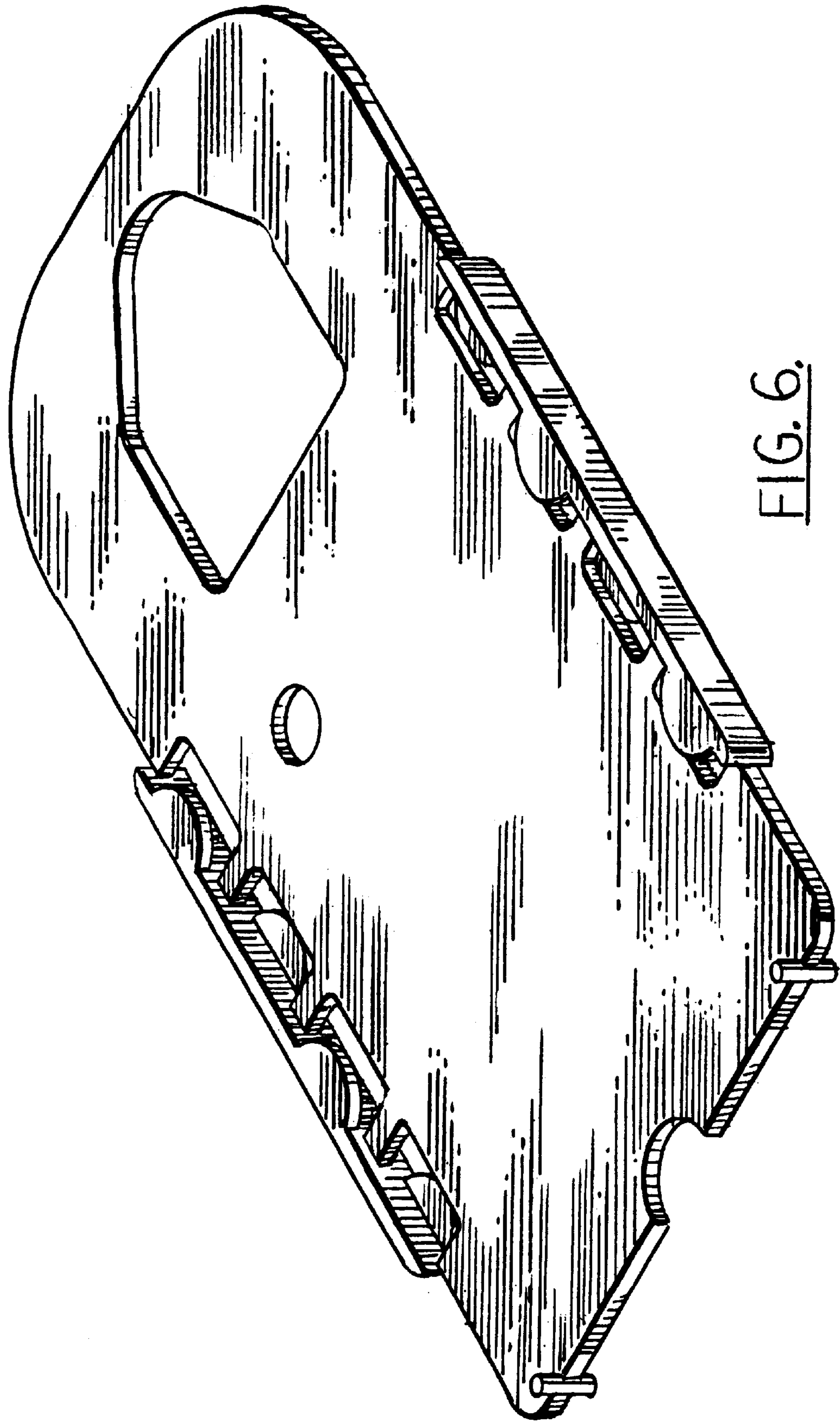


FIG. 6.