



US00D469465S

(12) **United States Design Patent**
Chen

(10) **Patent No.:** **US D469,465 S**

(45) **Date of Patent:** **** Jan. 28, 2003**

(54) **FLUORESCENT MARKER**

6,161,975 A * 12/2000 Clarke 401/34
6,190,076 B1 * 2/2001 Yeh 401/131

(75) Inventor: **Judy Chen**, Taipei Hsien (TW)

FOREIGN PATENT DOCUMENTS

(73) Assignee: **Lonex Technology Co., Ltd.**, Taipei Hsien (TW)

DE 3342982 * 6/1985

(**) Term: **14 Years**

* cited by examiner

Primary Examiner—Martie K. Holtje

(21) Appl. No.: **29/158,980**

(74) *Attorney, Agent, or Firm*—Bacon & Thomas, PLLC

(22) Filed: **Apr. 15, 2002**

(57) **CLAIM**

(51) **LOC (7) Cl.** **19-06**

The ornamental design for a fluorescent marker, as shown and described.

(52) **U.S. Cl.** **D19/36; D19/43; D19/46**

(58) **Field of Search** D19/35, 36, 41-51, D19/53-58, 81-85; 401/6, 7, 88, 29, 34, 35, 52, 195, 202, 213, 243-247, 262; 15/424-435

DESCRIPTION

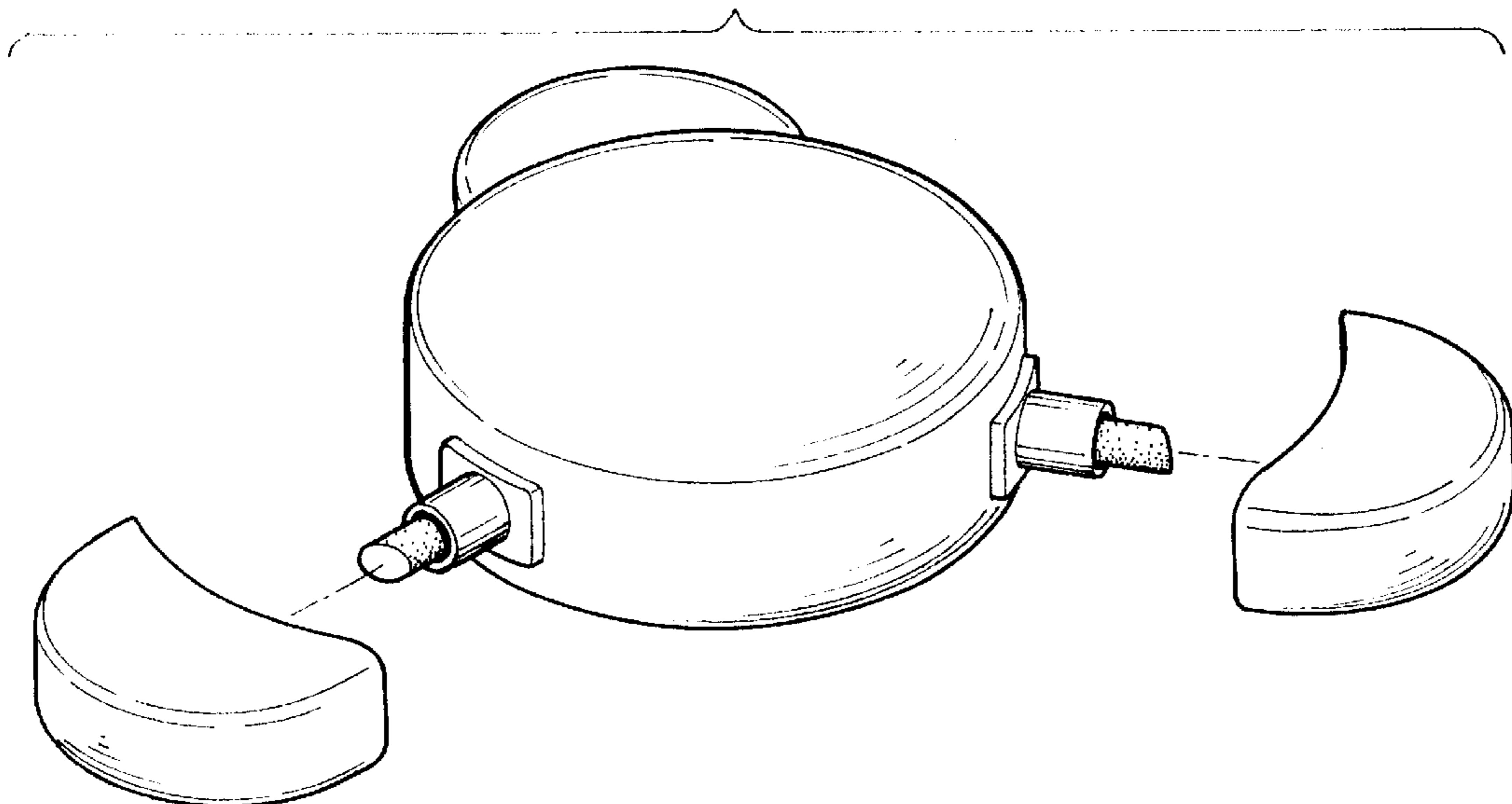
(56) **References Cited**

U.S. PATENT DOCUMENTS

- 722,160 A * 3/1903 Steiger 401/34
- 4,227,823 A * 10/1980 Kitzerow 401/99
- D306,315 S * 2/1990 Shintani D19/36
- D316,272 S * 4/1991 Lee D19/42
- D319,467 S * 8/1991 Clowes D19/36
- D389,518 S * 1/1998 Reichmann D19/36
- D403,355 S * 12/1998 Fillion D19/36

FIG. 1 is a front perspective view of a fluorescent marker etc. showing my new design;
FIG. 2 is a front view thereof;
FIG. 3 is a rear view thereof;
FIG. 4 is a left side view thereof;
FIG. 5 is a right side view thereof;
FIG. 6 is a top view thereof;
FIG. 7 is a bottom view thereof; and,
FIG. 8 is a front perspective view thereof, in an exploded condition.

1 Claim, 5 Drawing Sheets



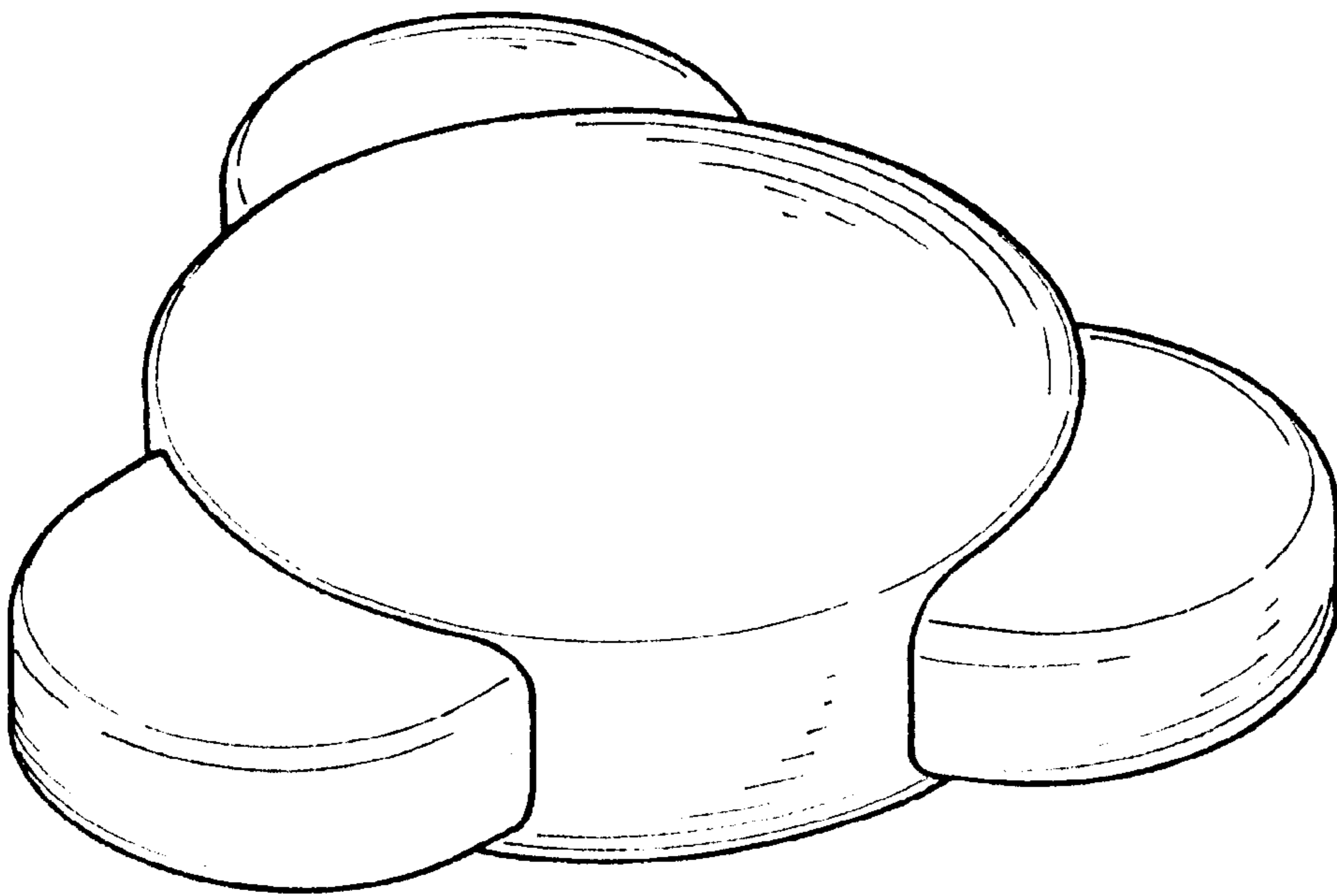


FIG 1

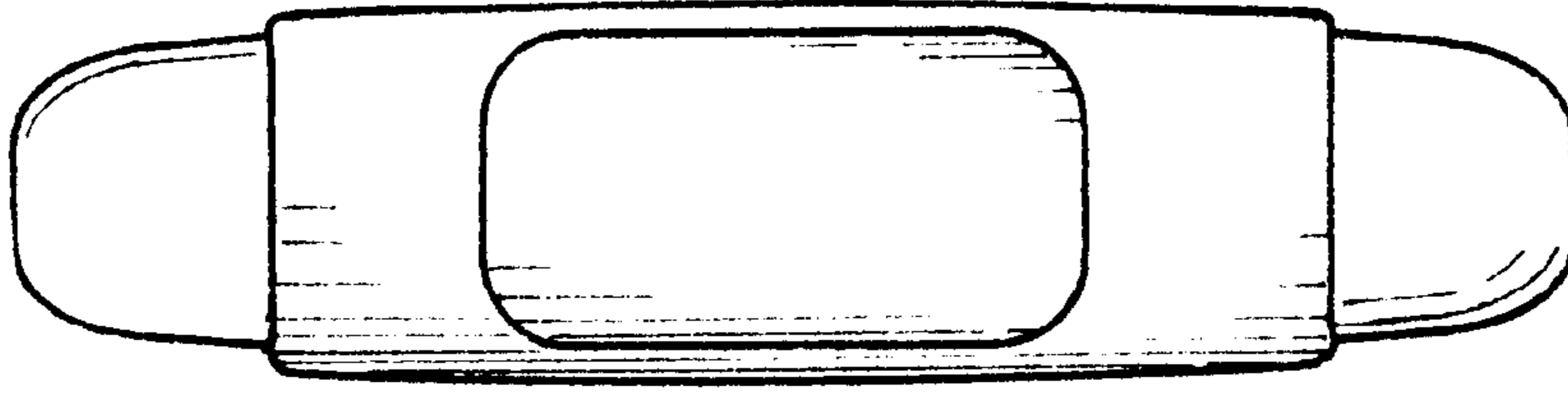


FIG 2

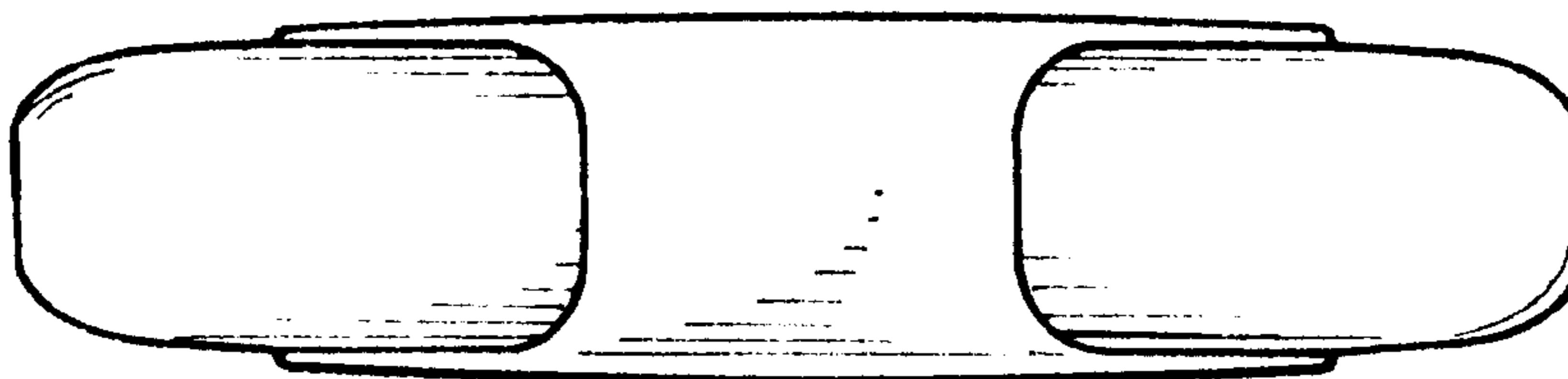


FIG 3

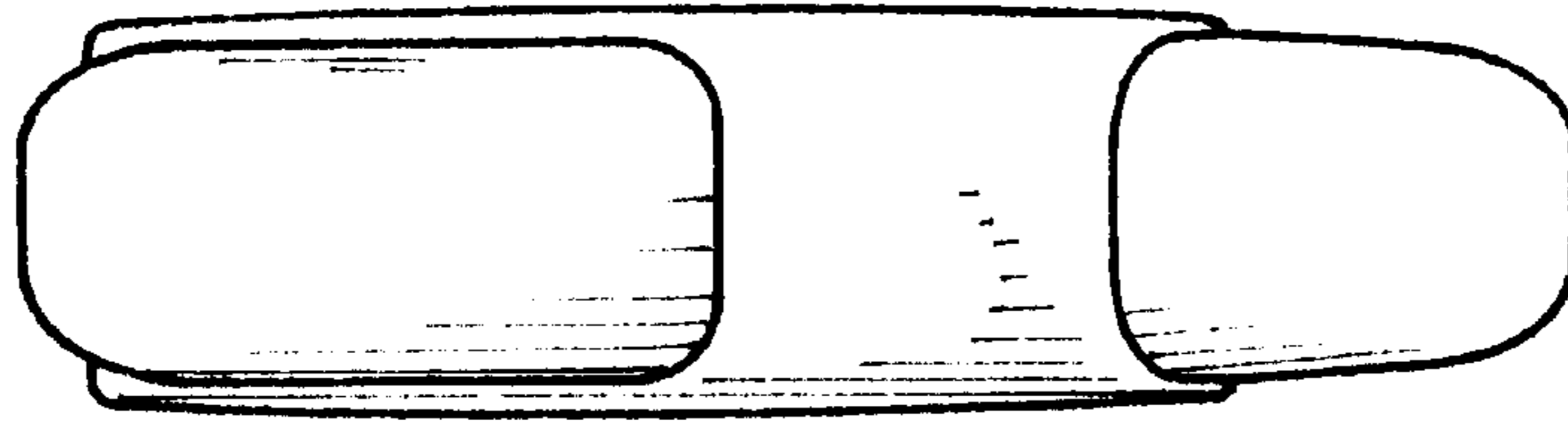


FIG 4

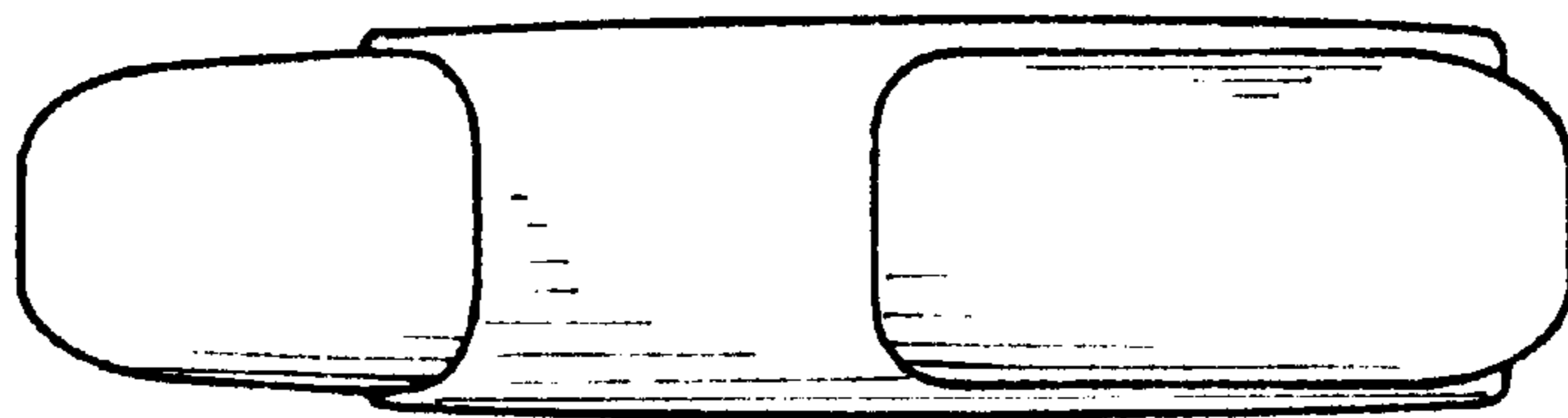


FIG 5

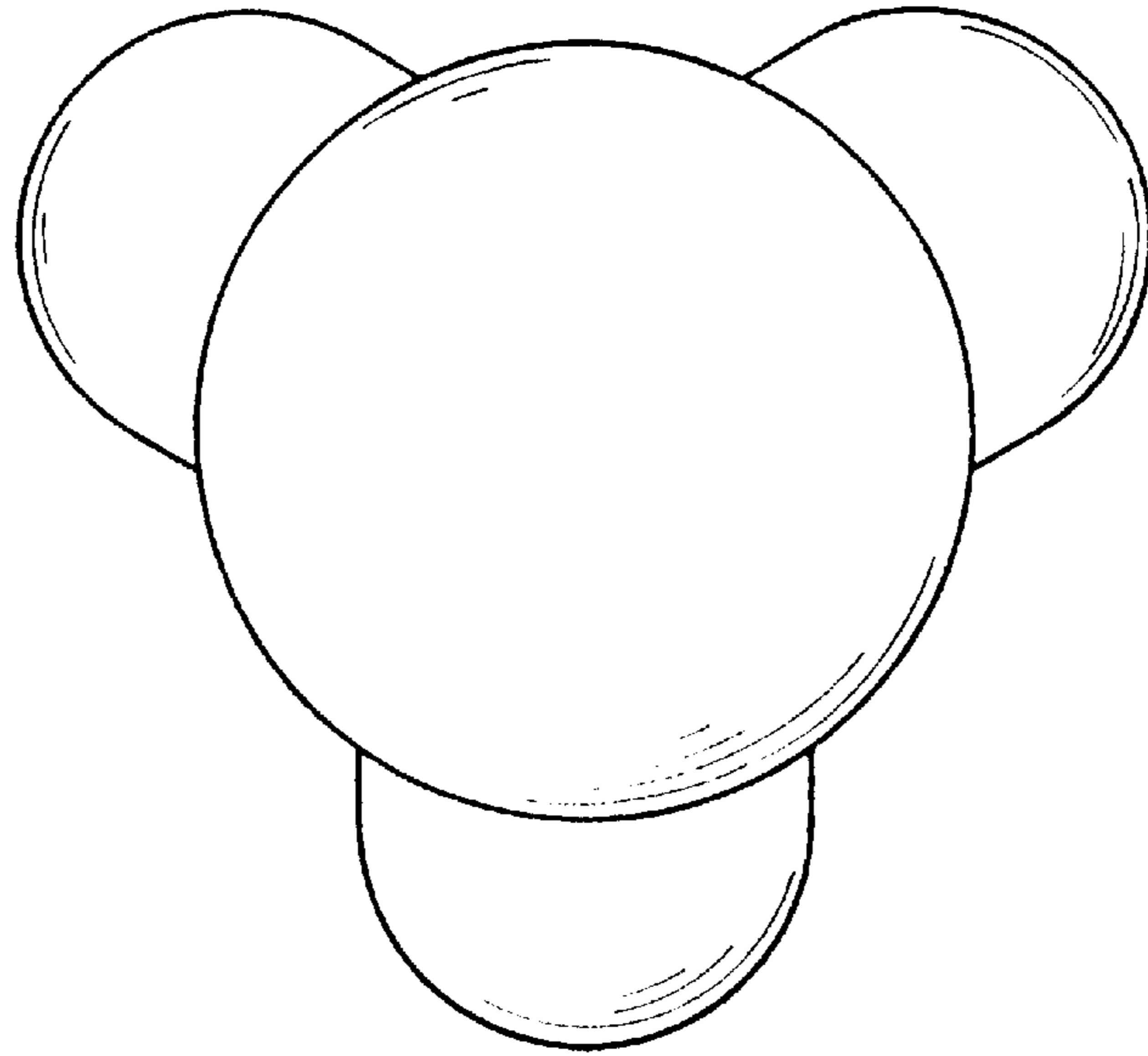


FIG 6

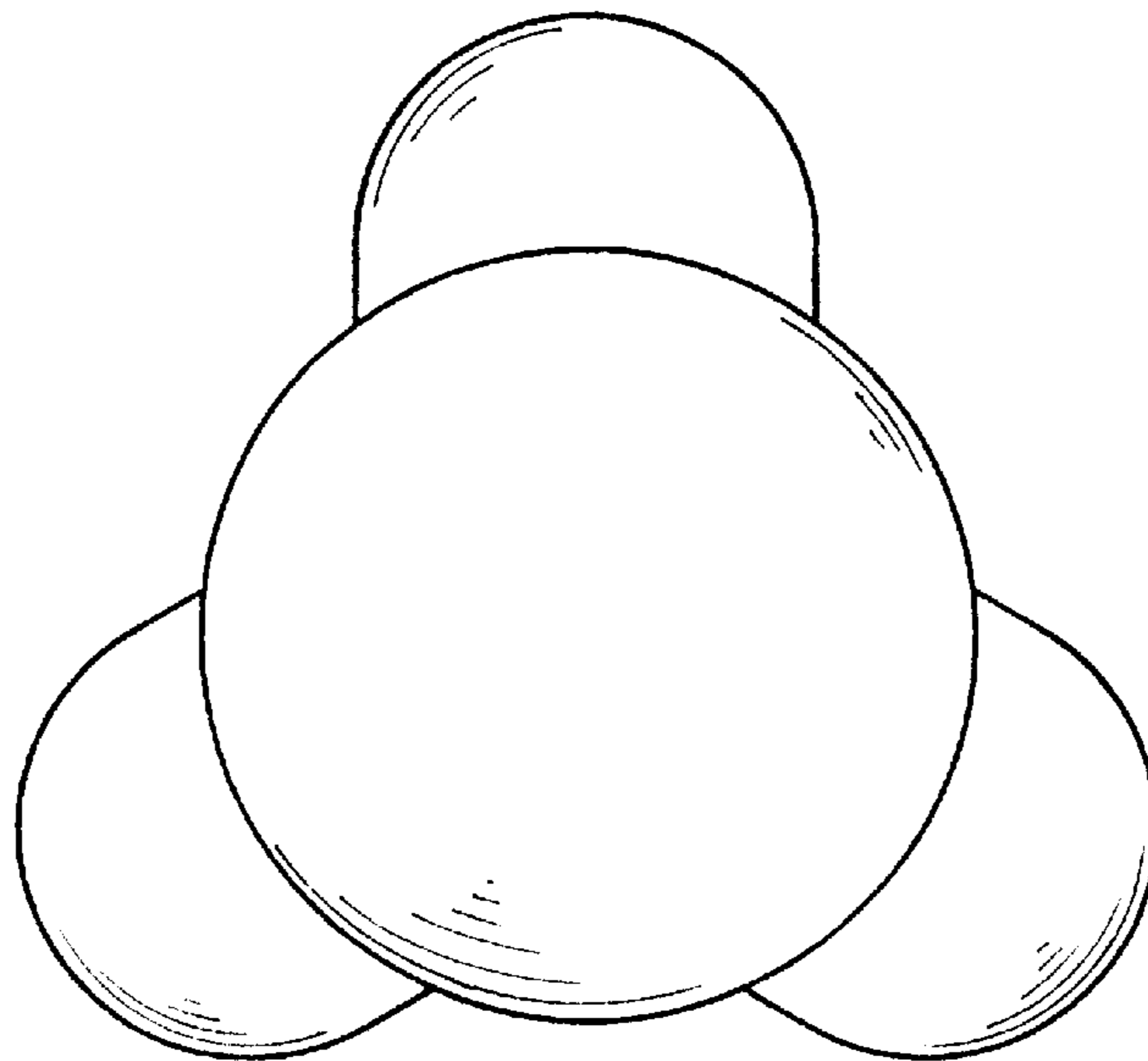


FIG 7

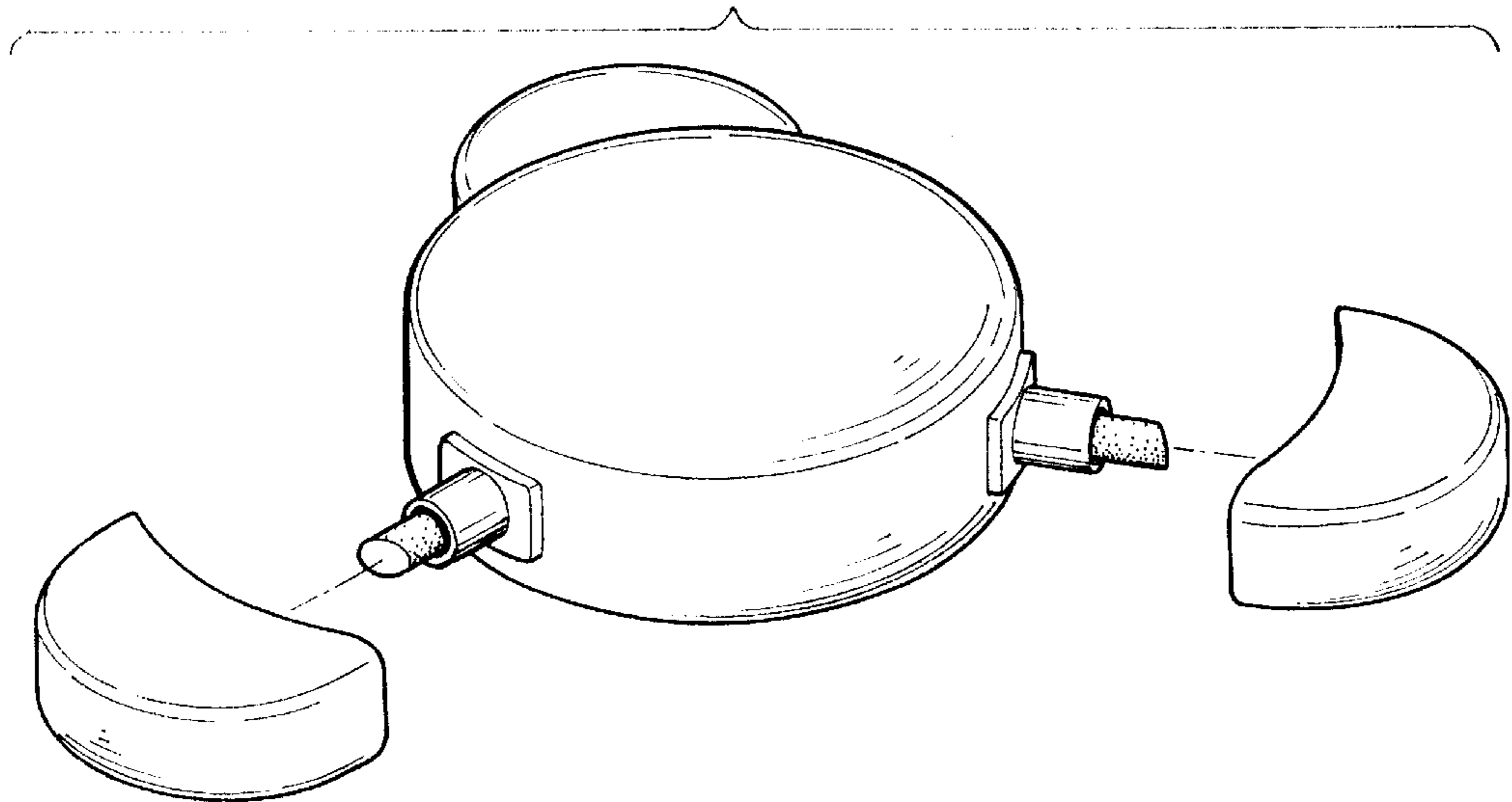


FIG 8