



US00D469463S

(12) **United States Design Patent**

Yu et al.

(10) **Patent No.:**

**US D469,463 S**

(45) **Date of Patent:**

**\*\* Jan. 28, 2003**

(54) **CARTRIDGE**

(75) Inventors: **Rong-Ho Yu**, Taipei Hsien (TW);  
**Cheng-Min Chang**, Changhua Hsien (TW)

(73) Assignee: **Microjet Technology Co., Ltd.**,  
Kuanyin Hsiang (TW)

(\*\*) Term: **14 Years**

(21) Appl. No.: **29/152,154**

(22) Filed: **Dec. 13, 2001**

(51) **LOC (7) Cl.** ..... **18-02**

(52) **U.S. Cl.** ..... **D18/56; 347/86**

(58) **Field of Search** ..... **D18/56, 43; 347/86, 347/87**

(56) **References Cited**

**U.S. PATENT DOCUMENTS**

- D391,289 S \* 2/1998 Inoue et al. .... D18/56
- D400,574 S \* 11/1998 Inoue et al. .... D18/56
- D407,746 S \* 4/1999 Fujii et al. .... D18/56
- D424,612 S \* 5/2000 Inoue et al. .... D18/56

- D425,110 S \* 5/2000 Dietl et al. .... D18/56
- D430,600 S \* 9/2000 Murcia et al. .... D18/56
- D438,560 S \* 3/2001 Inoue et al. .... D18/56
- 6,270,209 B1 \* 8/2001 Shimomura ..... 347/86
- D456,836 S \* 5/2002 Ito et al. .... D18/56

\* cited by examiner

*Primary Examiner*—Cathy Anne MacCormac

(74) *Attorney, Agent, or Firm*—Gazdzinski & Associates

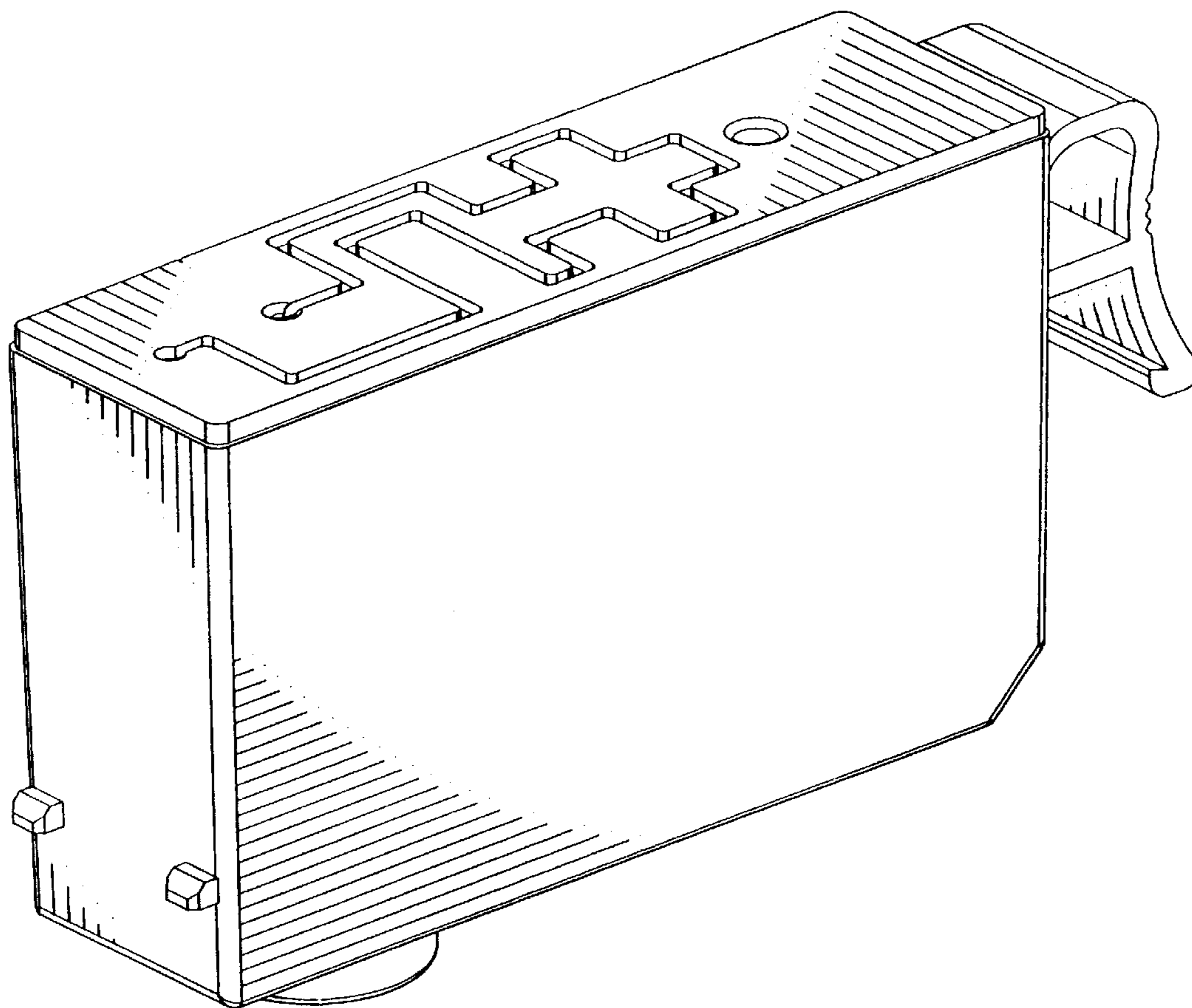
(57) **CLAIM**

The ornamental design for a cartridge, as shown and described.

**DESCRIPTION**

FIG. 1 is a perspective view showing a cartridge of our new design;  
 FIG. 2 is a front elevational view thereof;  
 FIG. 3 is a rear elevational view thereof;  
 FIG. 4 is a left side view thereof;  
 FIG. 5 is a right side view thereof;  
 FIG. 6 is a top plane view thereof; and,  
 FIG. 7 is a bottom plane view thereof.

**1 Claim, 7 Drawing Sheets**



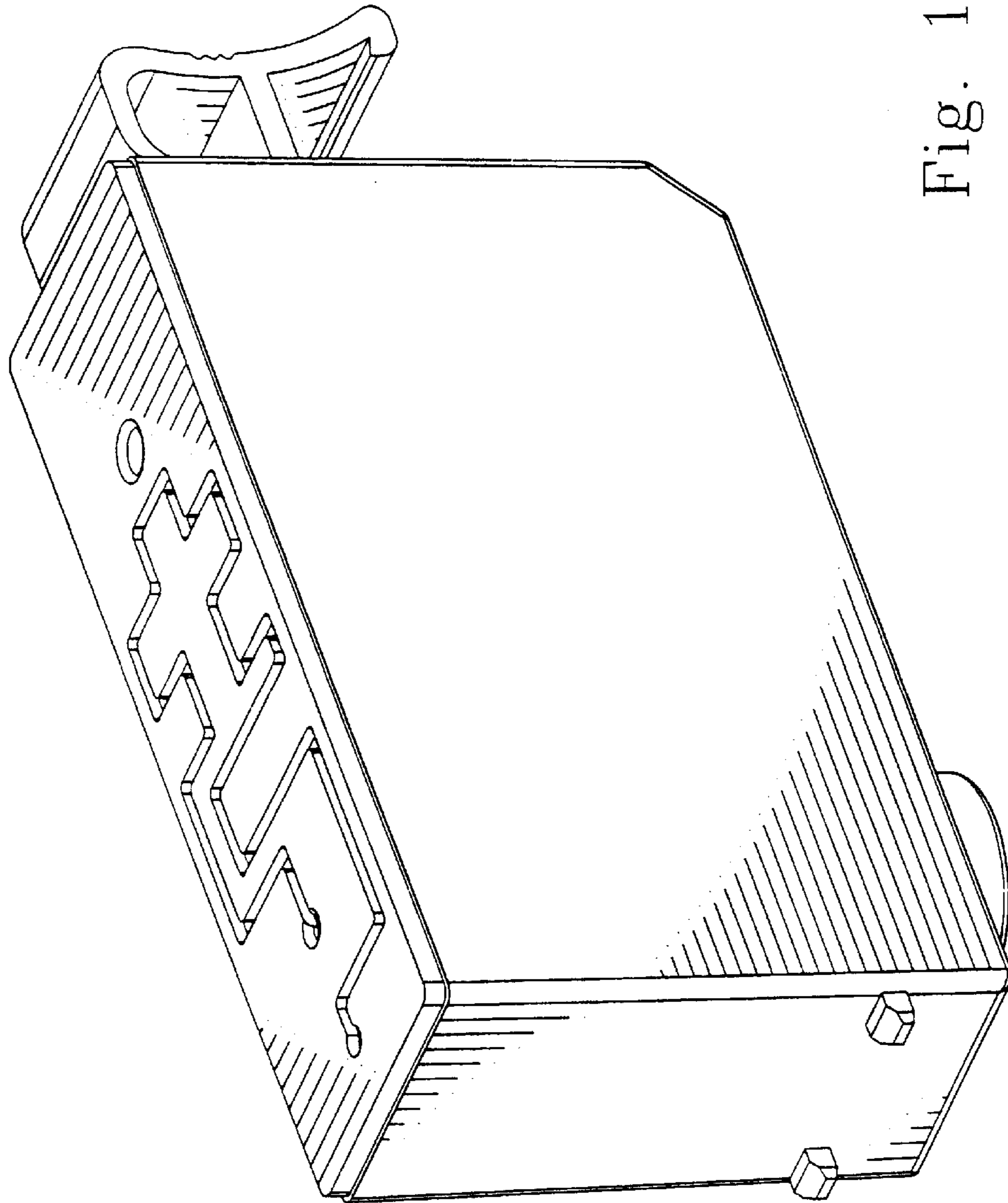


Fig. 1

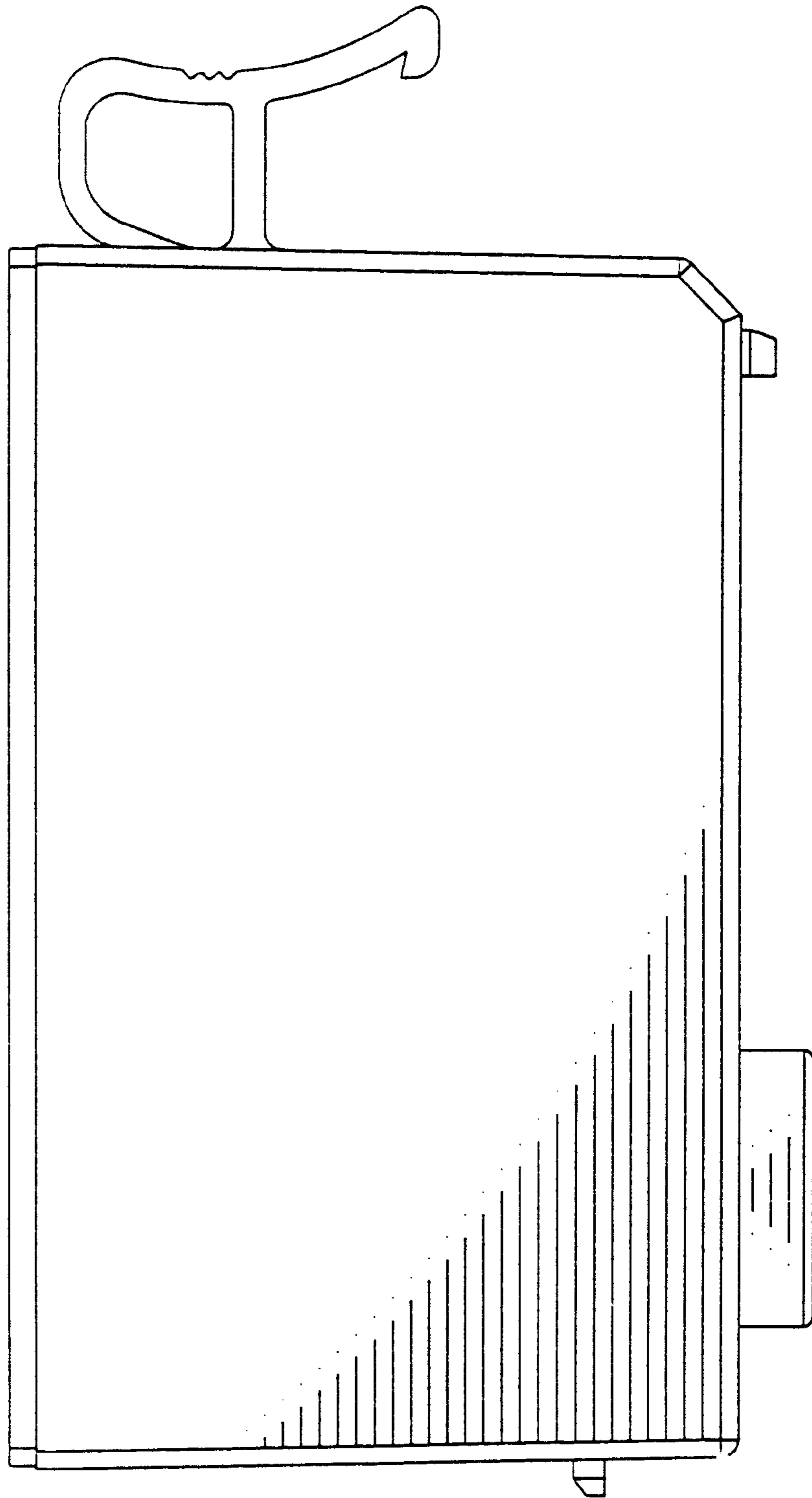


Fig. 2

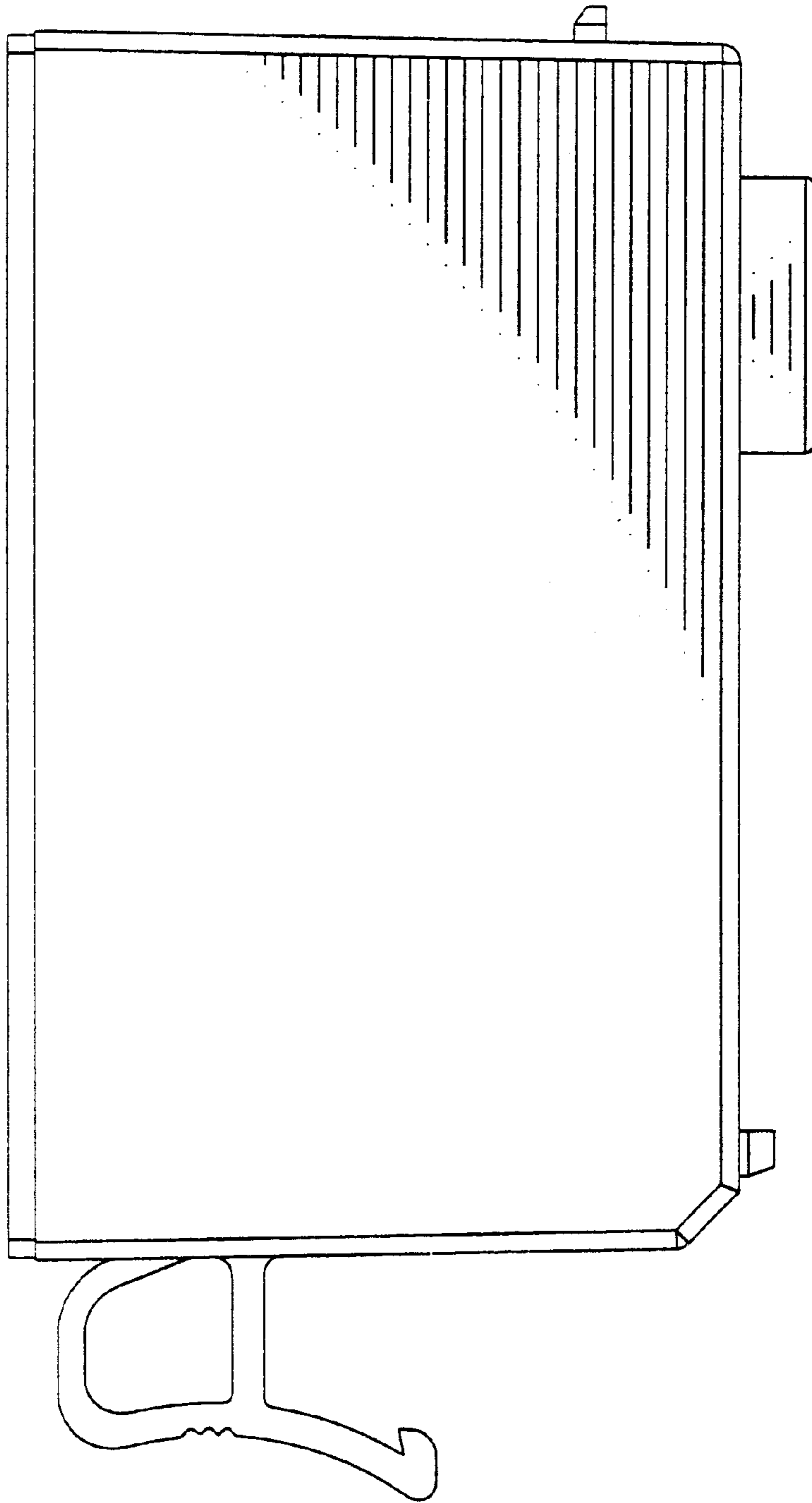


Fig. 3

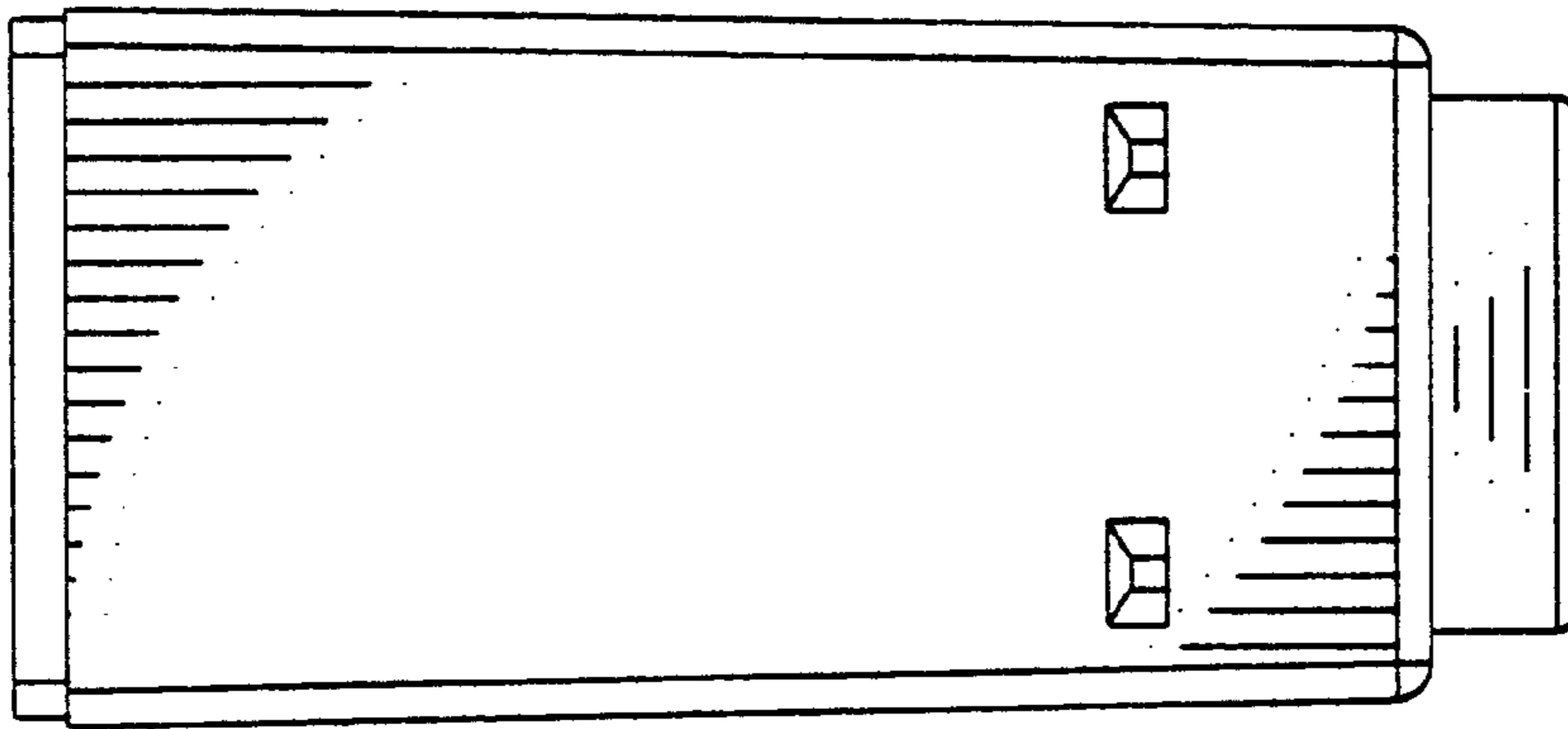


Fig. 4

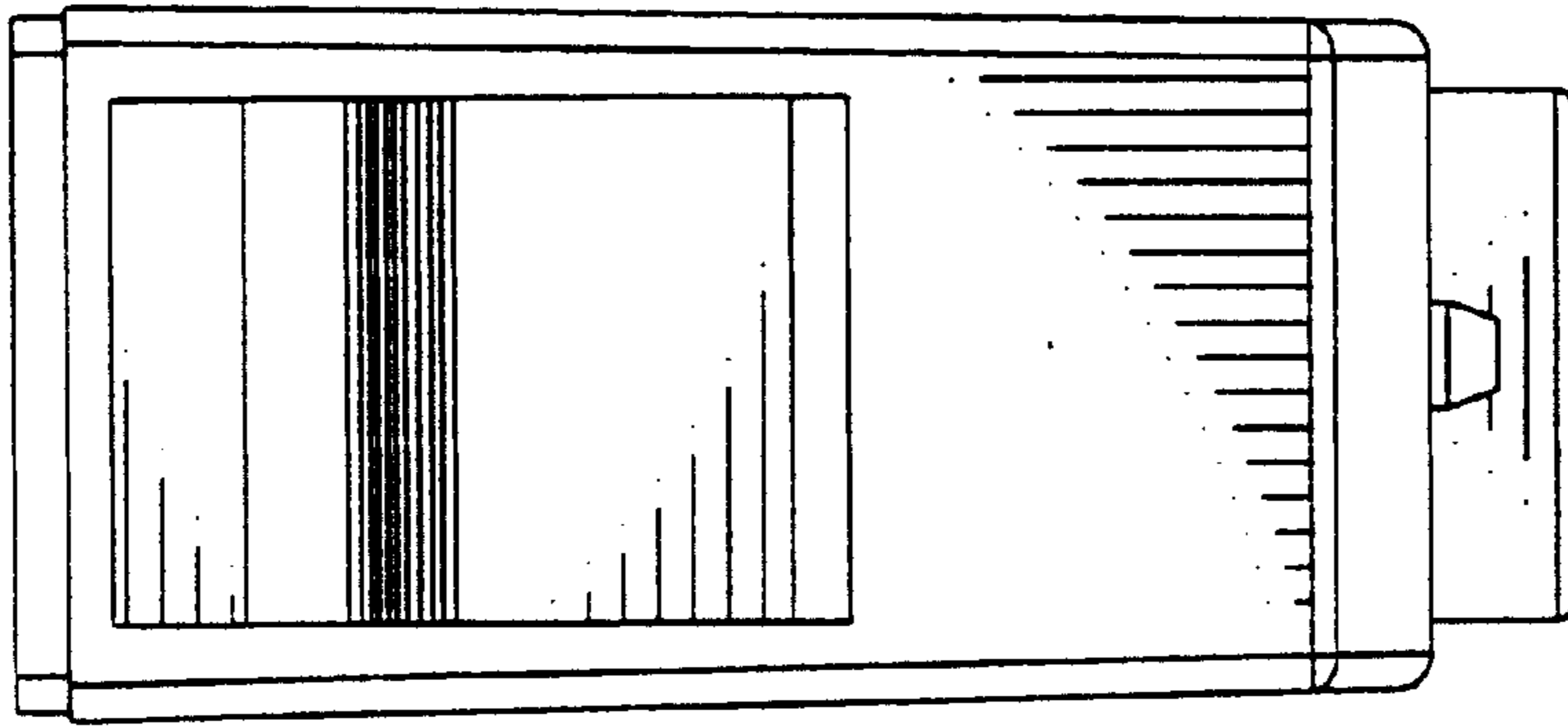


Fig. 5

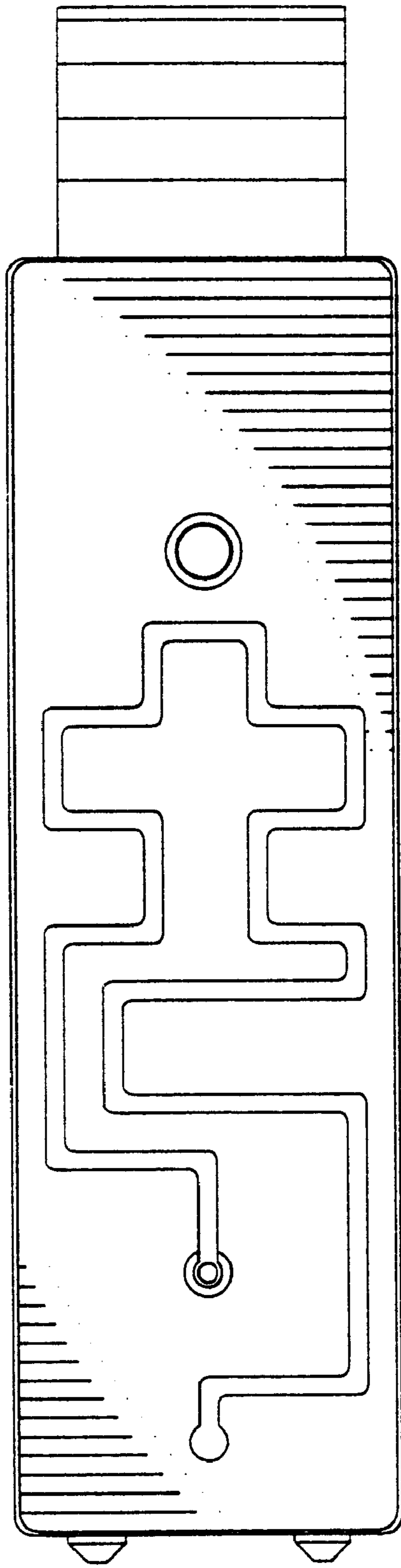


Fig. 6

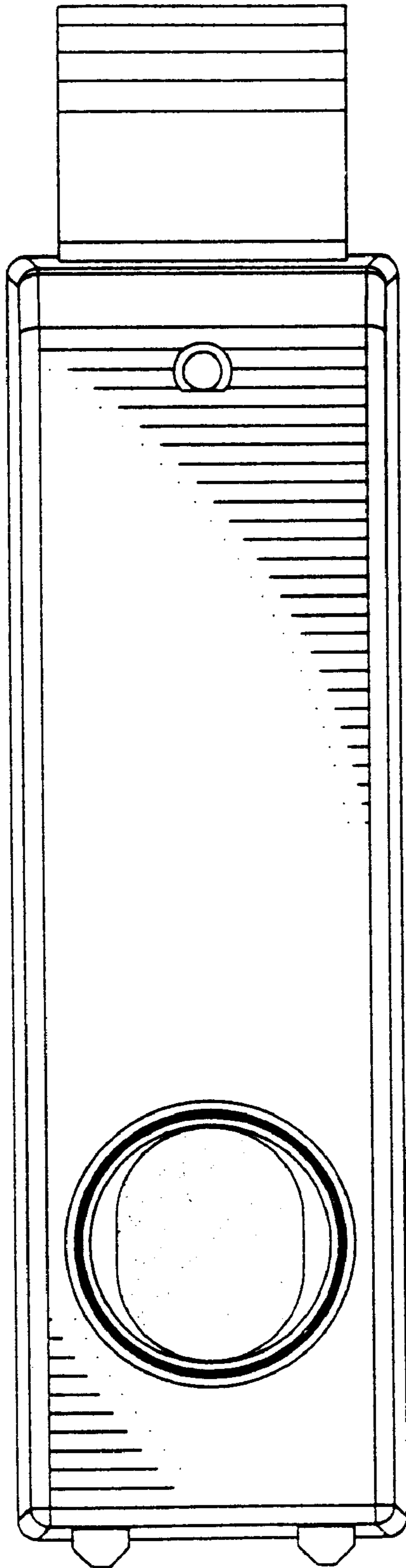


Fig. 7