



US00D469457S

(12) **United States Design Patent**
Nakaigawa

(10) **Patent No.:** **US D469,457 S**
(45) **Date of Patent:** **** Jan. 28, 2003**

(54) **STAND FOR TELEVISION CAMERA**

D458,623 S * 6/2002 Backs et al. D16/242

(75) Inventor: **Tomoyoshi Nakaigawa, Kanagawa (JP)**

FOREIGN PATENT DOCUMENTS

(73) Assignee: **Matsushita Electric Industrial Co., Ltd., Osaka (JP)**

JP 1112604 6/2001

(**) Term: **14 Years**

* cited by examiner

(21) Appl. No.: **29/151,858**

Primary Examiner—Adir Aronovich
(74) *Attorney, Agent, or Firm*—Christensen O'Connor Johnson Kindness PLLC

(22) Filed: **Dec. 7, 2001**

(57) **CLAIM**

(30) **Foreign Application Priority Data**

The ornamental design for a stand for television camera, as shown and described.

Jun. 7, 2001 (JP) 2001-016620

DESCRIPTION

(51) **LOC (7) Cl.** **16-05**

(52) **U.S. Cl.** **D16/242**

(58) **Field of Search** D16/237, 242,
D16/245; 248/176.1, 185.1, 187.1, 346.01,
346.03; 352/243; 396/419, 428

FIG. 1 is a perspective view of the top, front and right side of a stand for television camera showing my new design; FIG. 2 is a front view thereof; FIG. 3 is a right side view thereof; FIG. 4 is a top plan view thereof; FIG. 5 is a rear view thereof; and, FIG. 6 is a bottom view thereof.

(56) **References Cited**

The portions of the article in broken lines are shown for illustrative purposes only and form no part of the claimed design.

U.S. PATENT DOCUMENTS

- D336,777 S * 6/1993 Ratzlaff D3/267
- D339,600 S * 9/1993 Sumrall D16/242
- D365,588 S * 12/1995 Fernandez D16/242
- D389,166 S * 1/1998 Swayze et al. D16/242

1 Claim, 2 Drawing Sheets

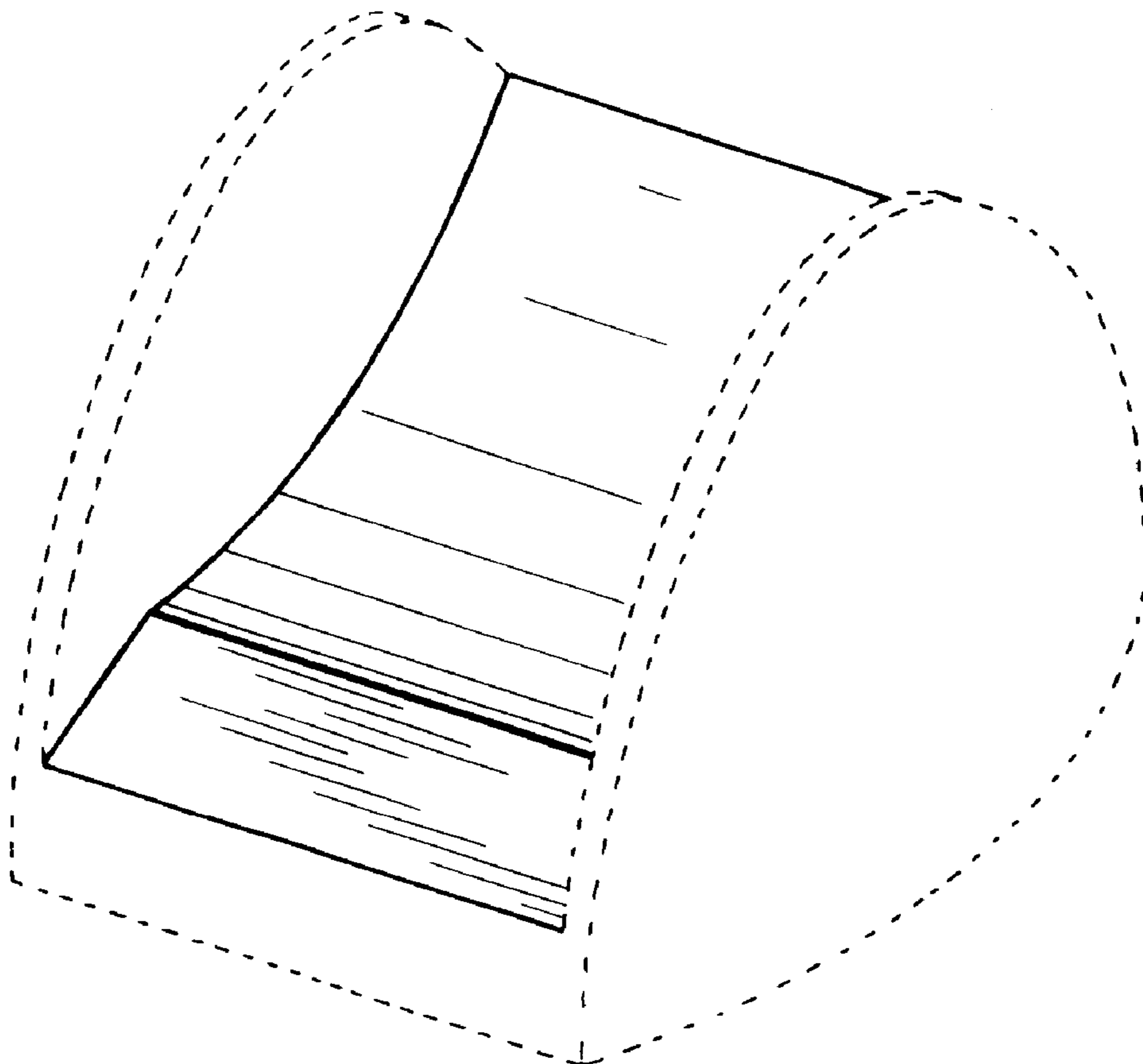


FIG. 1

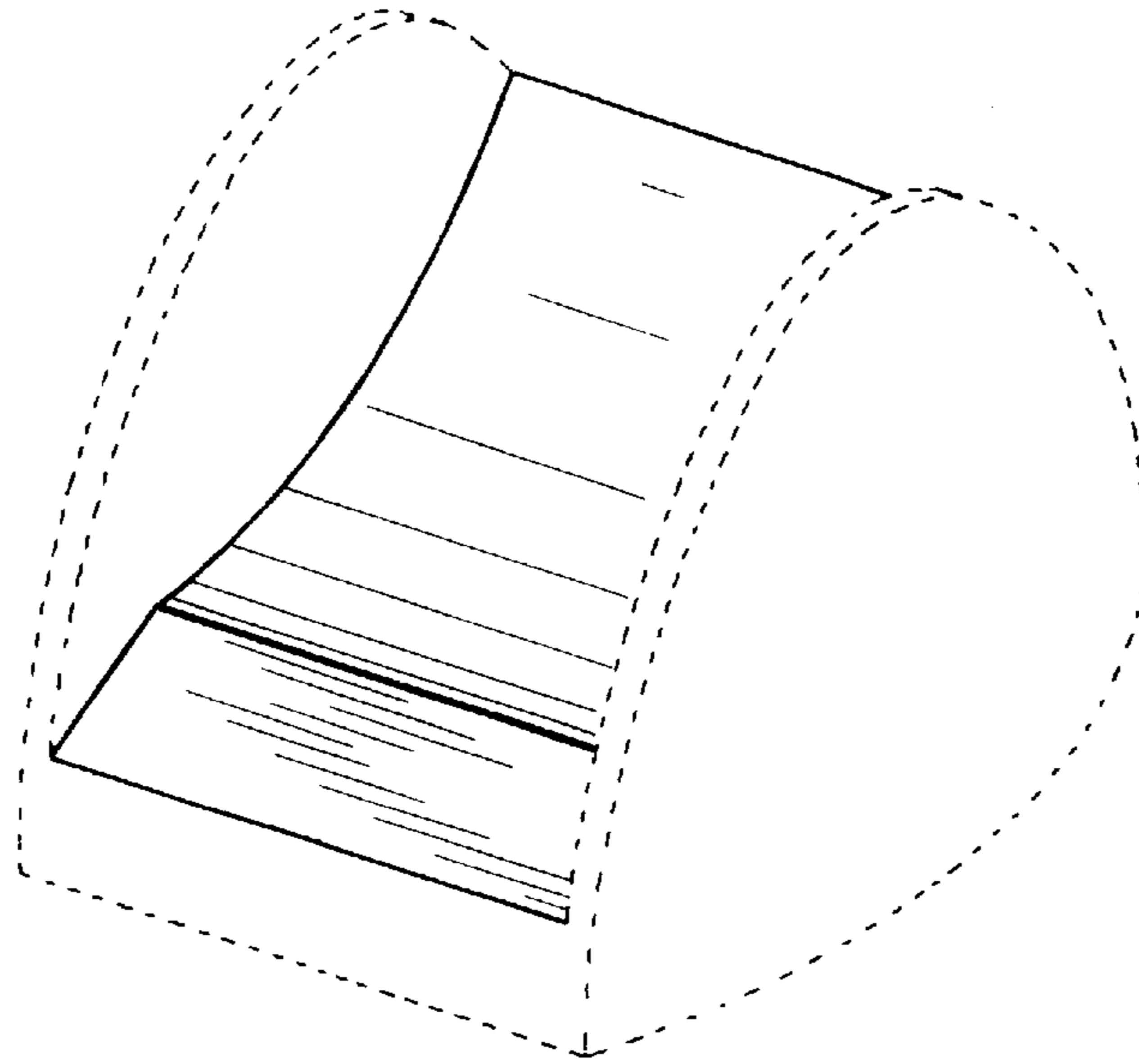


FIG. 2

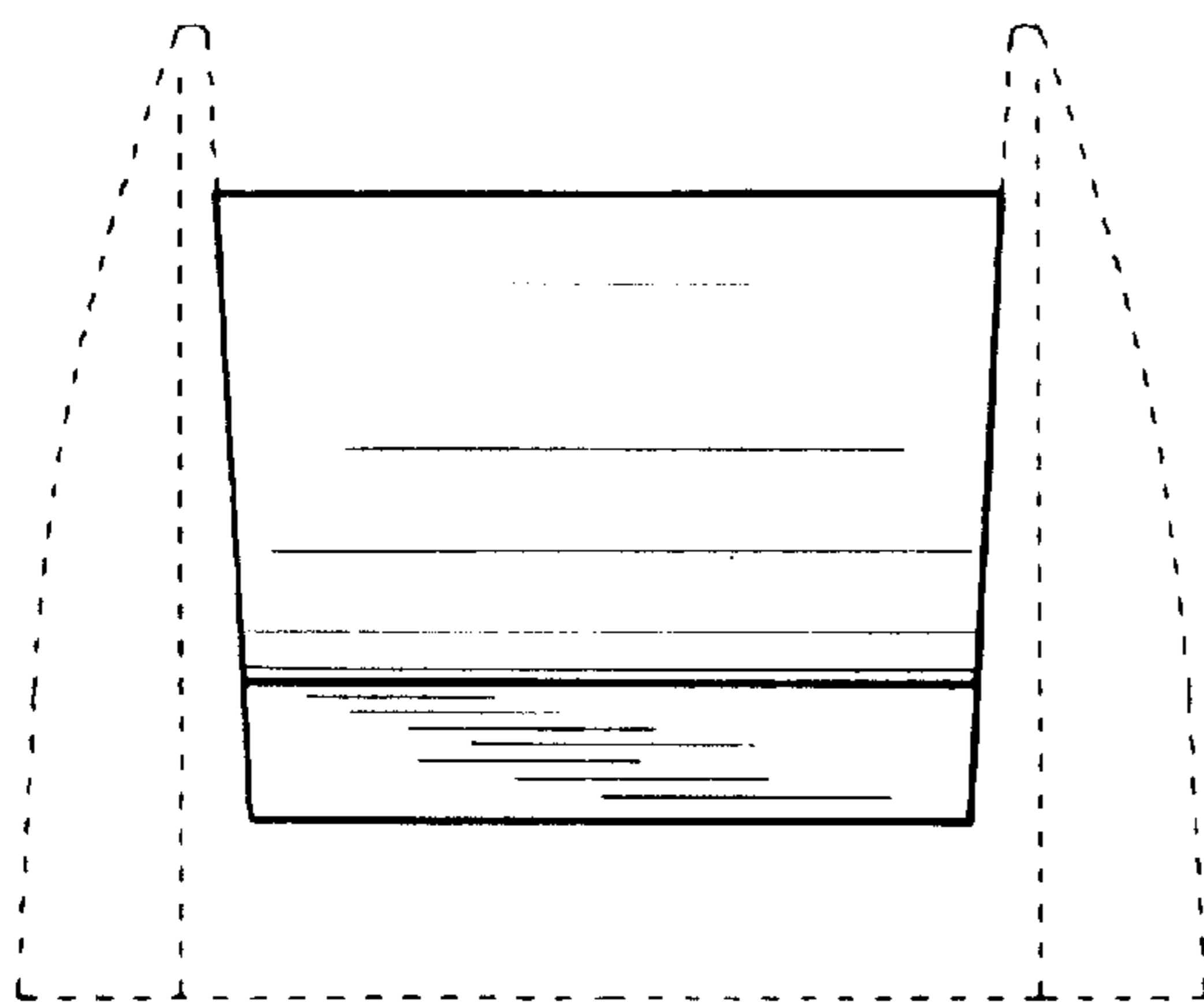


FIG. 3

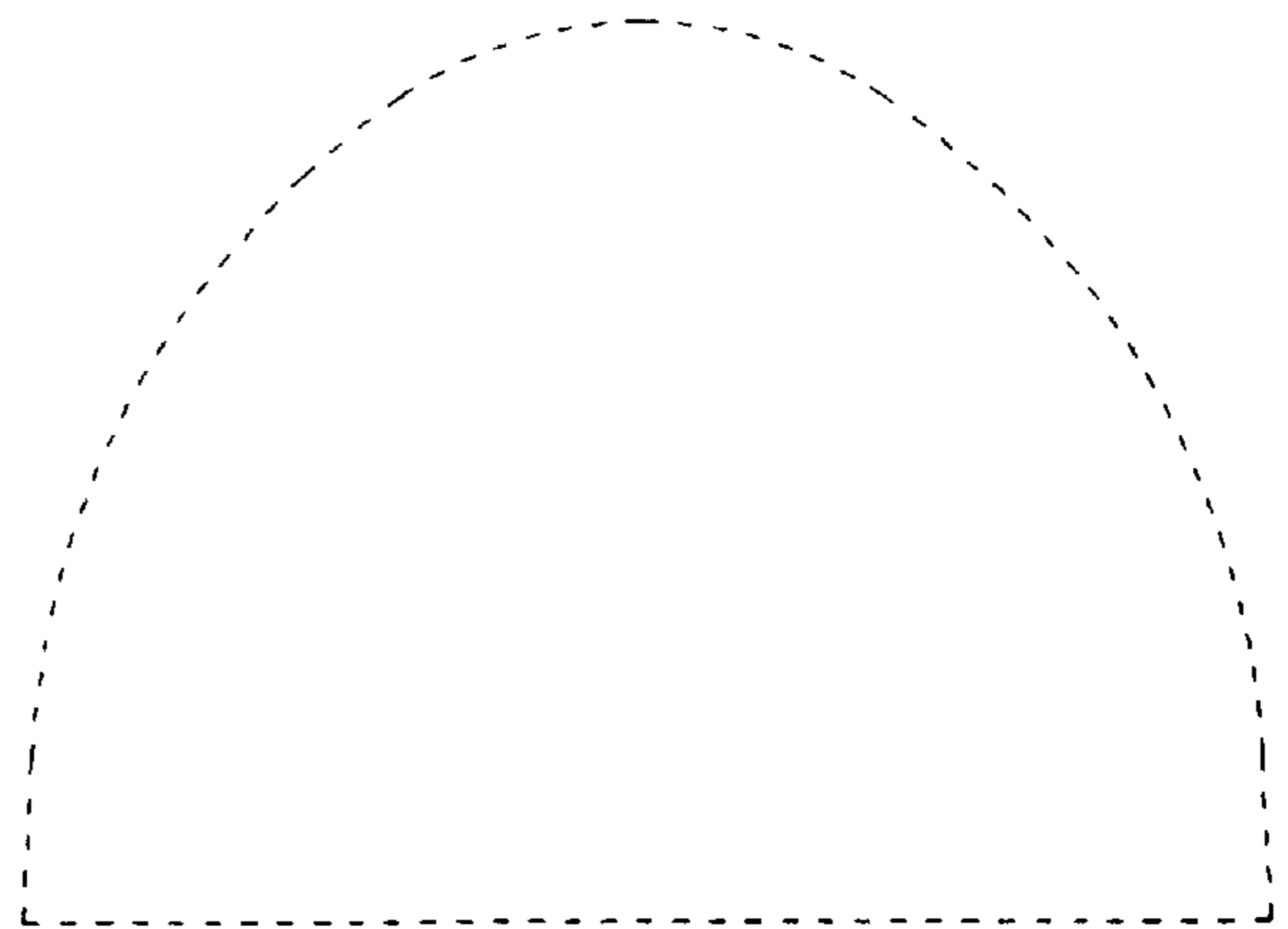


FIG. 4

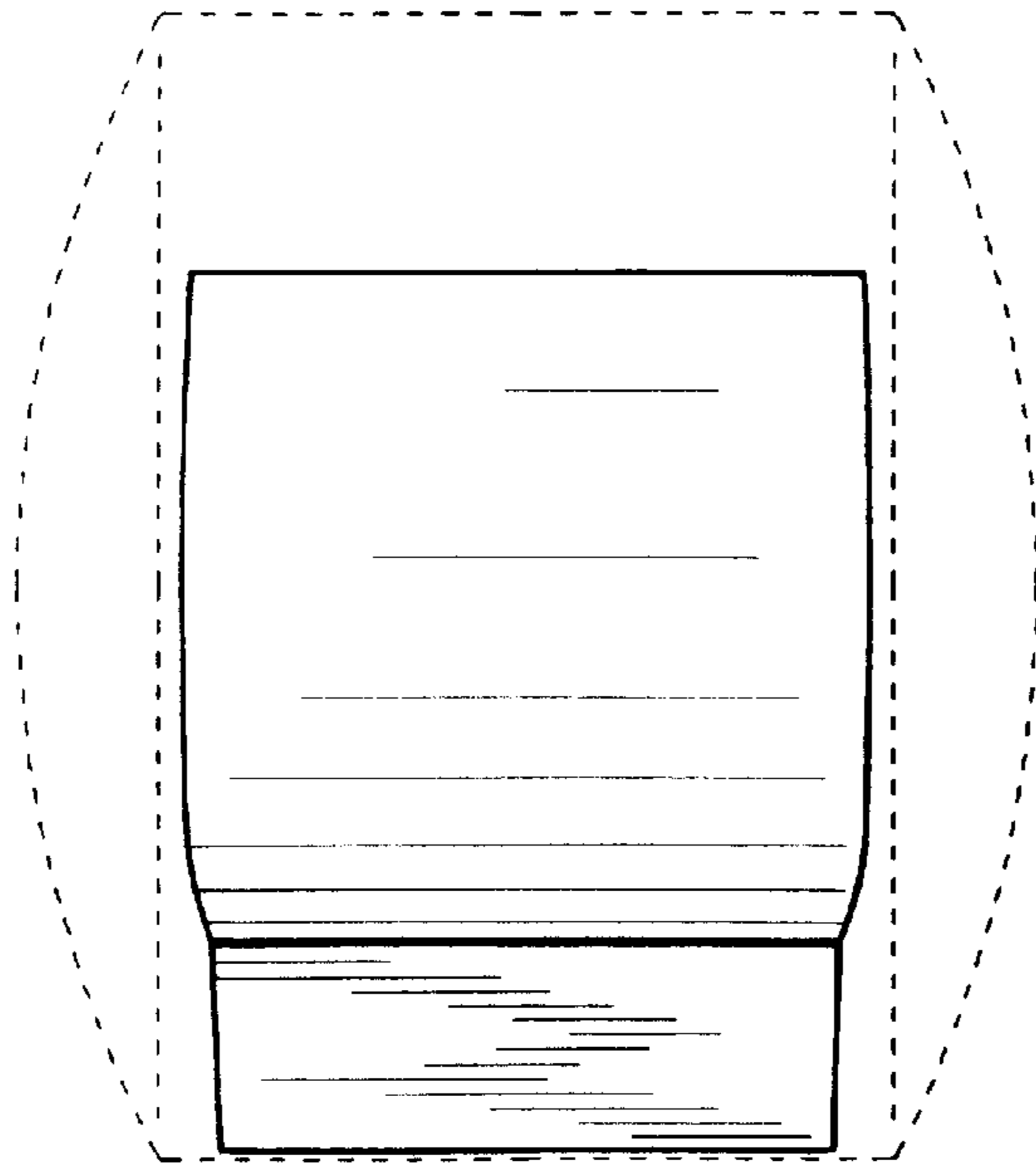


FIG. 5

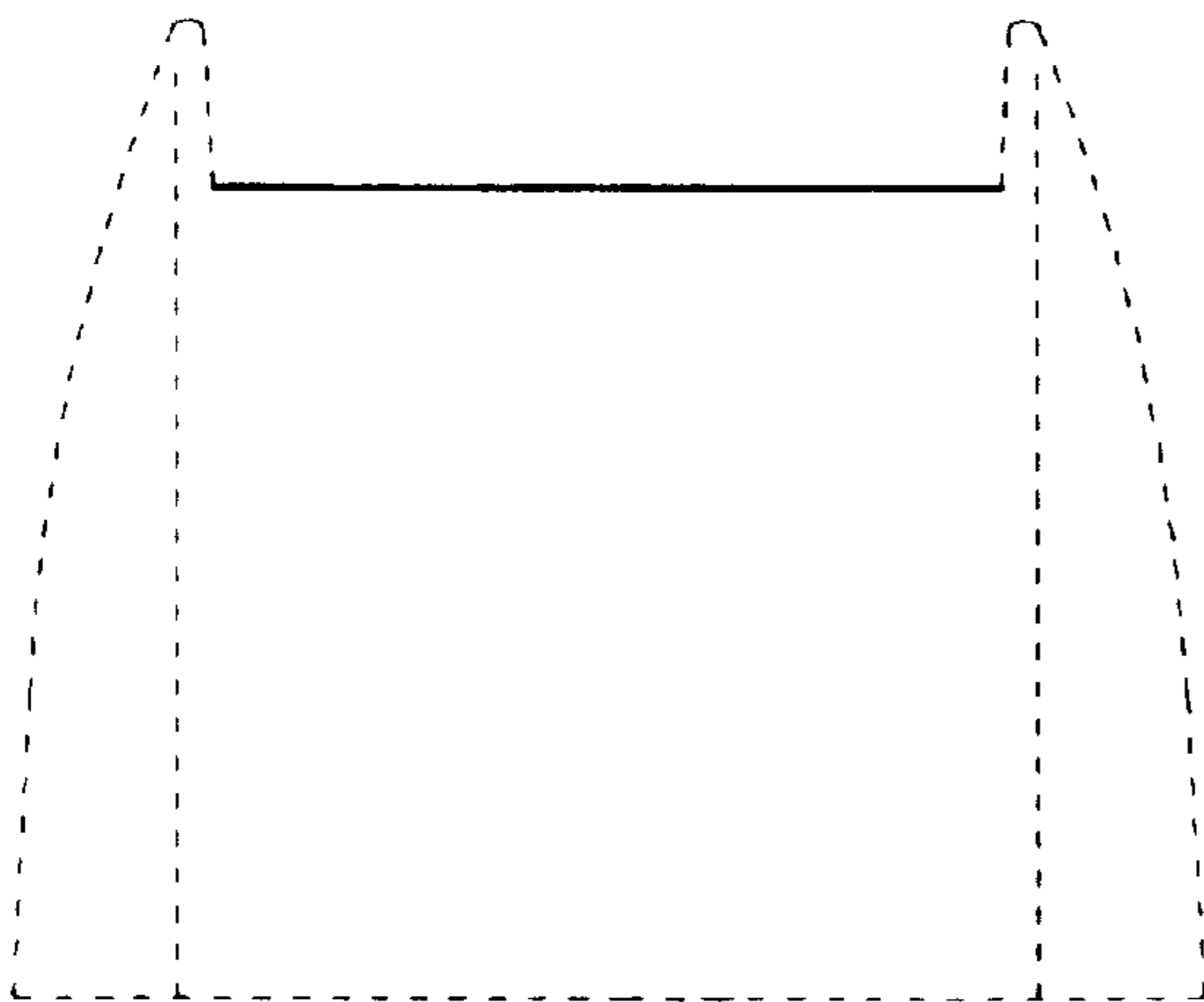


FIG. 6

