



US00D469455S

(12) **United States Design Patent**
Yanagisawa

(10) **Patent No.:** **US D469,455 S**
(45) **Date of Patent:** **** Jan. 28, 2003**

(54) **BINOCULARS**

(75) Inventor: **Masaaki Yanagisawa, Chigasaki (JP)**

(73) Assignee: **Nikon Corporation, Tokyo (JP)**

(**) Term: **14 Years**

(21) Appl. No.: **29/156,743**

(22) Filed: **Mar. 7, 2002**

(30) **Foreign Application Priority Data**

Jan. 24, 2002 (JP) 2002-001511

(51) **LOC (7) Cl.** **16-06**

(52) **U.S. Cl.** **D16/133**

(58) **Field of Search** D16/130, 132,
D16/133; 359/407, 408, 409, 410, 411,
412, 413, 414, 415, 416, 417, 418

(56) **References Cited**

U.S. PATENT DOCUMENTS

D223,298 S	*	4/1972	Senda et al.	D16/133
D271,885 S	*	12/1983	Givgiaro	D16/133
D275,400 S	*	9/1984	Hucken et al.	D16/133
D332,107 S	*	12/1992	Hengst et al.	D16/133
D394,666 S	*	5/1998	Ono	D16/133
D395,906 S	*	7/1998	Konno	D16/133

FOREIGN PATENT DOCUMENTS

JP A 612462 12/1983

JP	S 894291	3/1994
JP	S 894292	3/1994
JP	S 613462 1	11/1996
JP	S 994863	11/1997
JP	S 994863 1	9/1998
JP	S 1049444	9/1999

OTHER PUBLICATIONS

Fujinon, "Fujinon's Third Generation Image Stabilizing Binocular" TS 1440, 2000.

* cited by examiner

Primary Examiner—Paula A. Mortimer

(74) *Attorney, Agent, or Firm*—Oliff & Berridge, PLC

(57) **CLAIM**

The ornamental design for binoculars, as shown and described.

DESCRIPTION

FIG. 1 is a front perspective view of binoculars showing my new design;
FIG. 2 is a front view thereof;
FIG. 3 is a rear view thereof;
FIG. 4 is a top view thereof;
FIG. 5 is a bottom view thereof;
FIG. 6 is a left side view thereof;
FIG. 7 is a right side view thereof; and,
FIG. 8 is a rear view thereof, with eyepiece in maximum open position.

1 Claim, 8 Drawing Sheets





Fig. 1

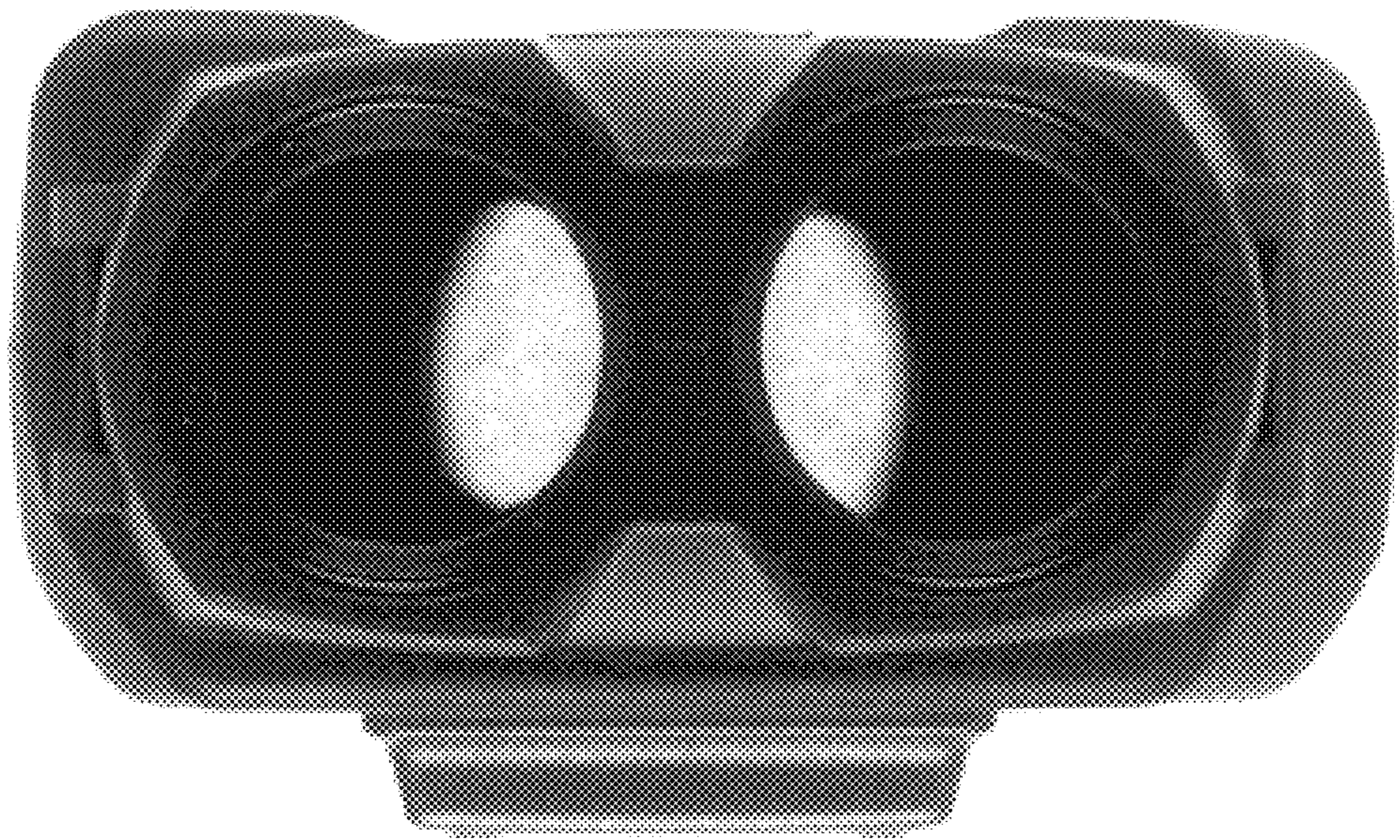


Fig. 2

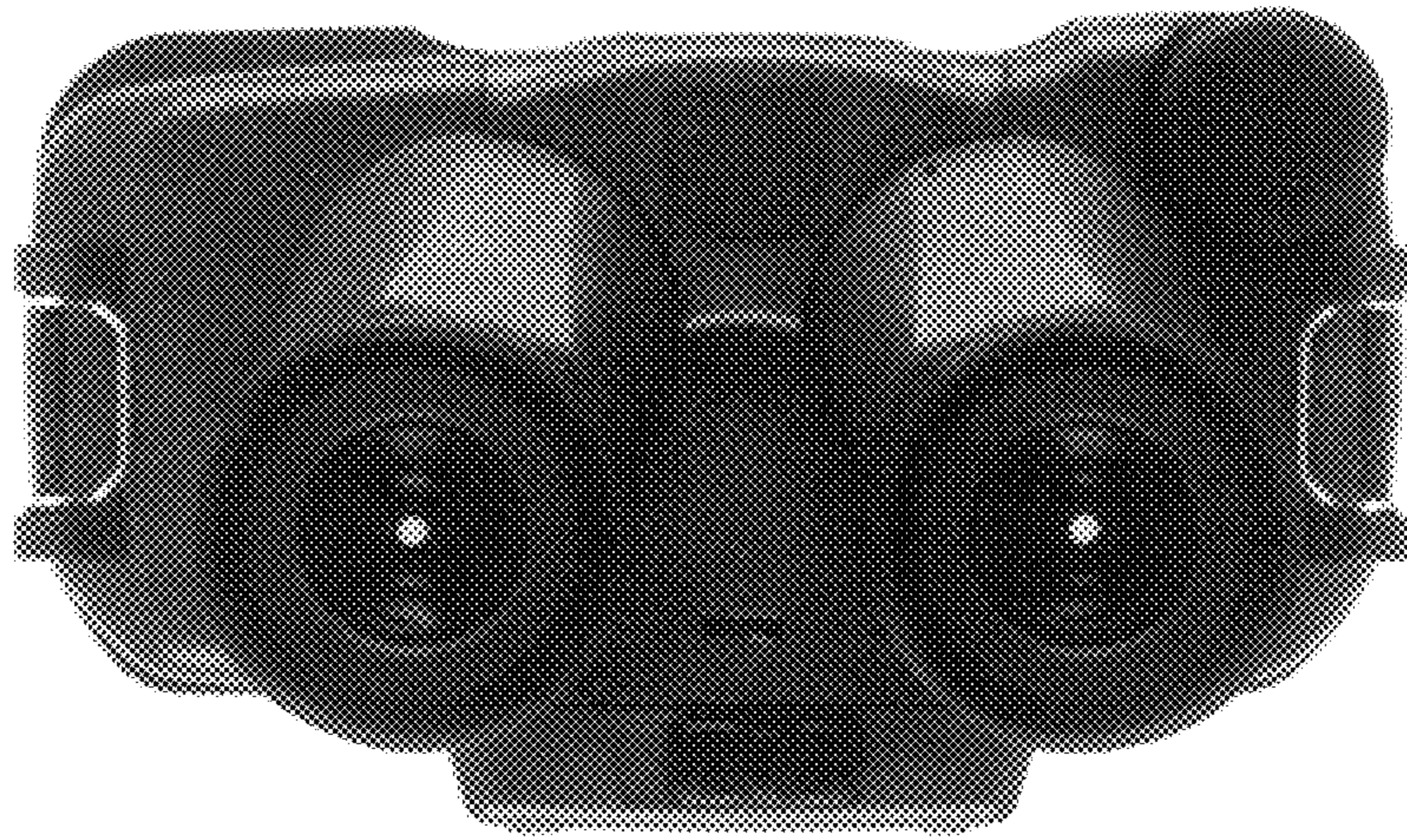


Fig. 3



Fig. 4



Fig. 5

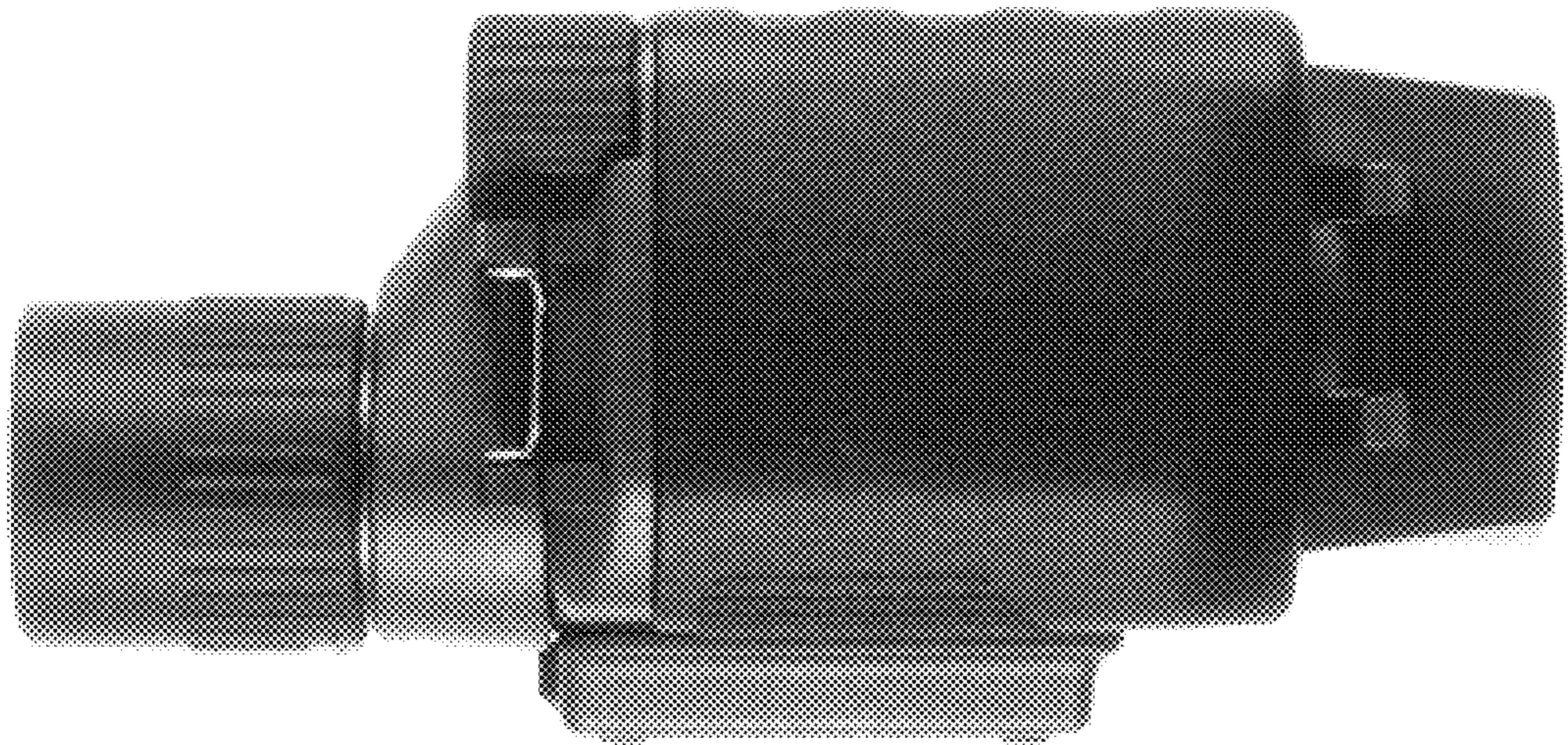


Fig. 6

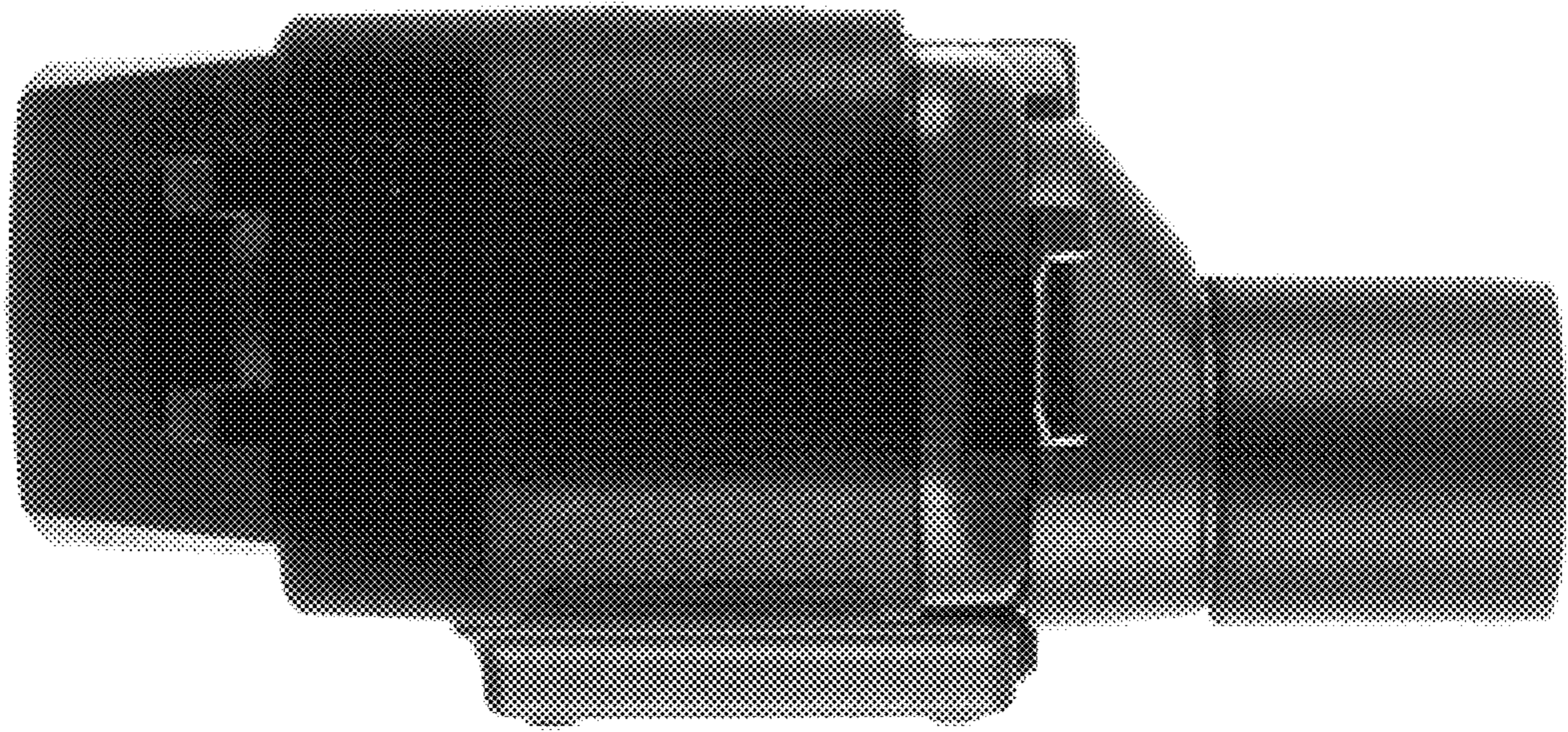


Fig. 7

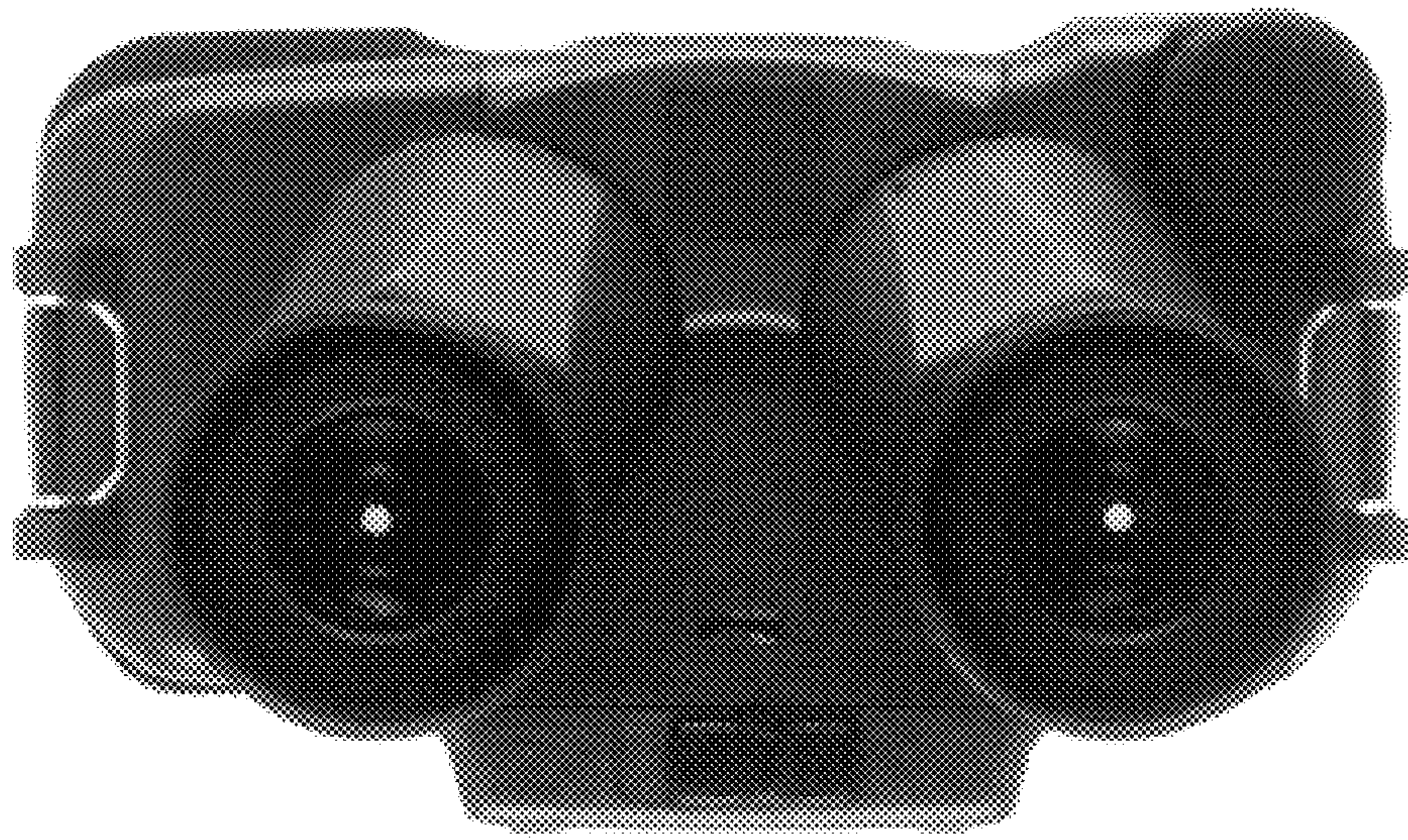


Fig. 8