



US00D469450S

(12) **United States Design Patent**
Yamamoto

(10) **Patent No.:** **US D469,450 S**

(45) **Date of Patent:** **** Jan. 28, 2003**

(54) **SEWING MACHINE**

D430,886 S * 9/2000 Yamamoto D15/69

(75) Inventor: **Shigemi Yamamoto**, Chofu (JP)

* cited by examiner

(73) Assignee: **Juki Corporation**, Chofu (JP)

Primary Examiner—Mitchell Siegel

(**) Term: **14 Years**

(74) *Attorney, Agent, or Firm*—Morgan & Finnegan, LLP

(21) Appl. No.: **29/142,053**

(57) **CLAIM**

(22) Filed: **May 17, 2001**

The ornamental design for a sewing machine, as shown and described.

(30) **Foreign Application Priority Data**

DESCRIPTION

Nov. 17, 2000 (JP) 2000-032886

FIG. 1. is a front view of a sewing machine showing our new design.

(51) **LOC (7) Cl.** **15-06**

FIG. 2. is a back view thereof.

(52) **U.S. Cl.** **D15/69**

FIG. 3. is a left side view thereof.

(58) **Field of Search** D15/66, 69-71;
112/217.1-217.4, 258-262.1

FIG. 4. is a right side view thereof.

FIG. 5. is a top plan view thereof.

FIG. 6. is a bottom plan view thereof.

(56) **References Cited**

FIG. 7. is a front, top and right side perspective view thereof; and,

U.S. PATENT DOCUMENTS

FIG. 8. is a cross-sectional view thereof taken along line I—I of FIG. 1.

D359,964 S * 7/1995 Nakajima et al. D15/69

D403,333 S * 12/1998 Takada et al. D15/70

1 Claim, 5 Drawing Sheets

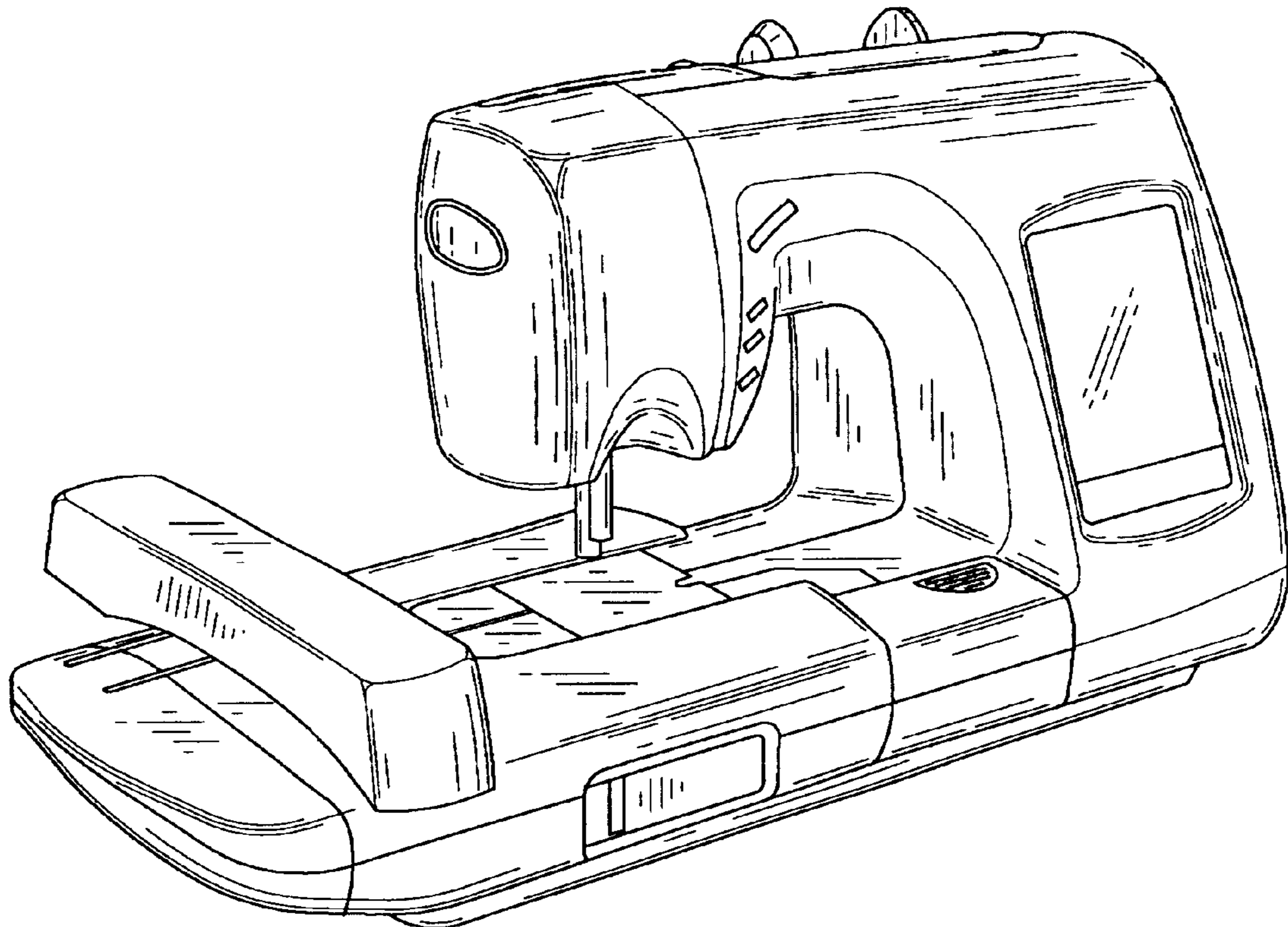


FIG. 1

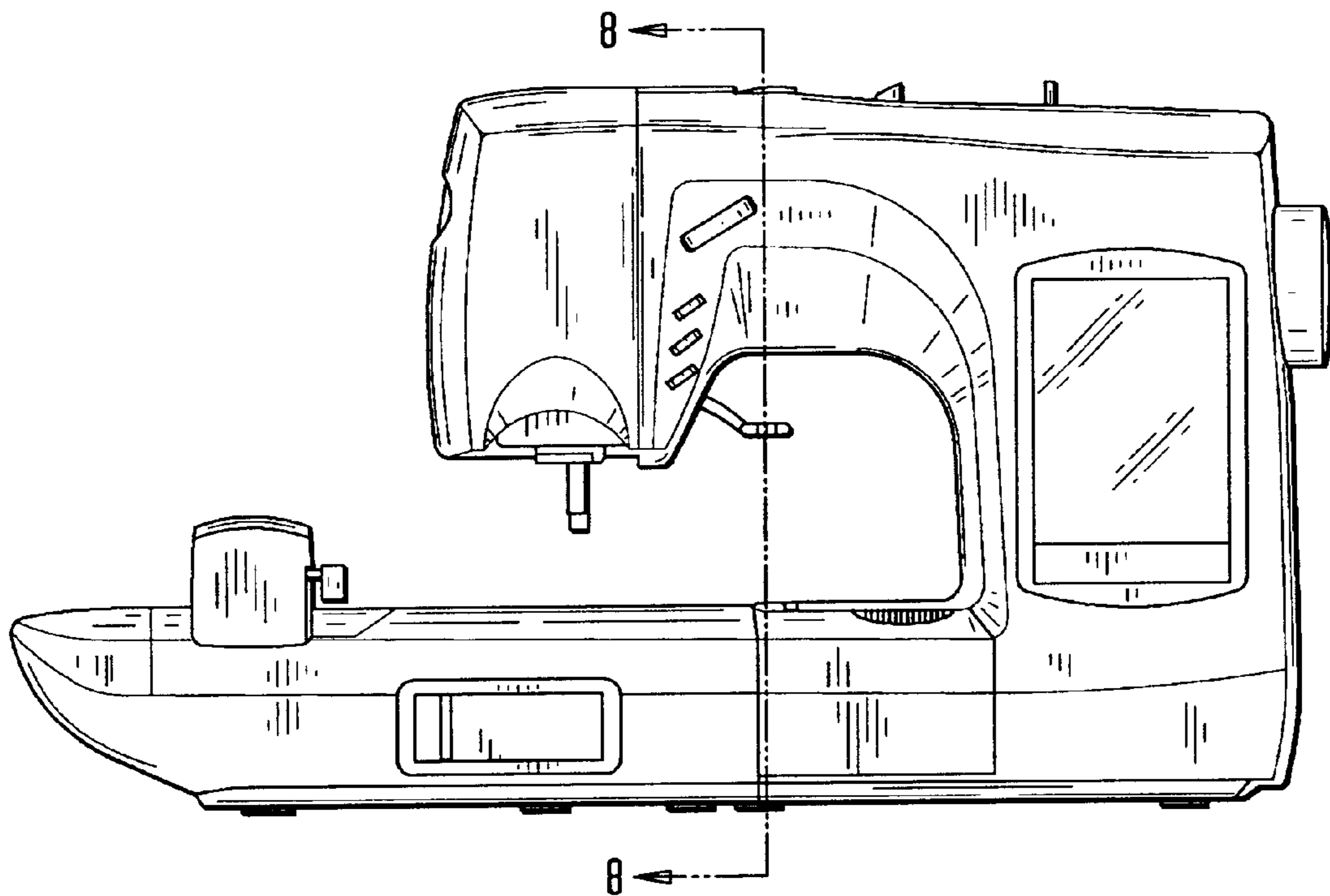


FIG. 2

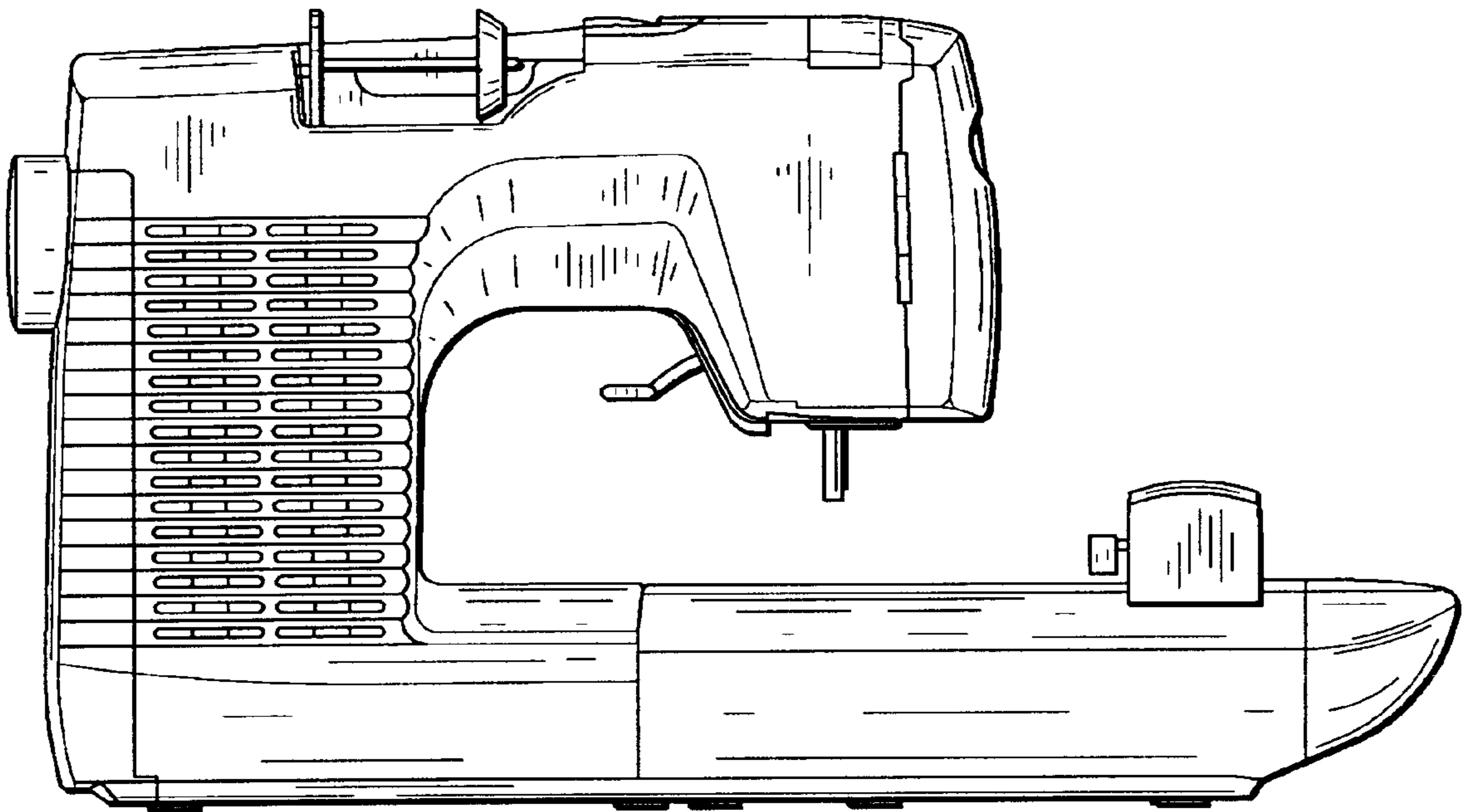


FIG. 3

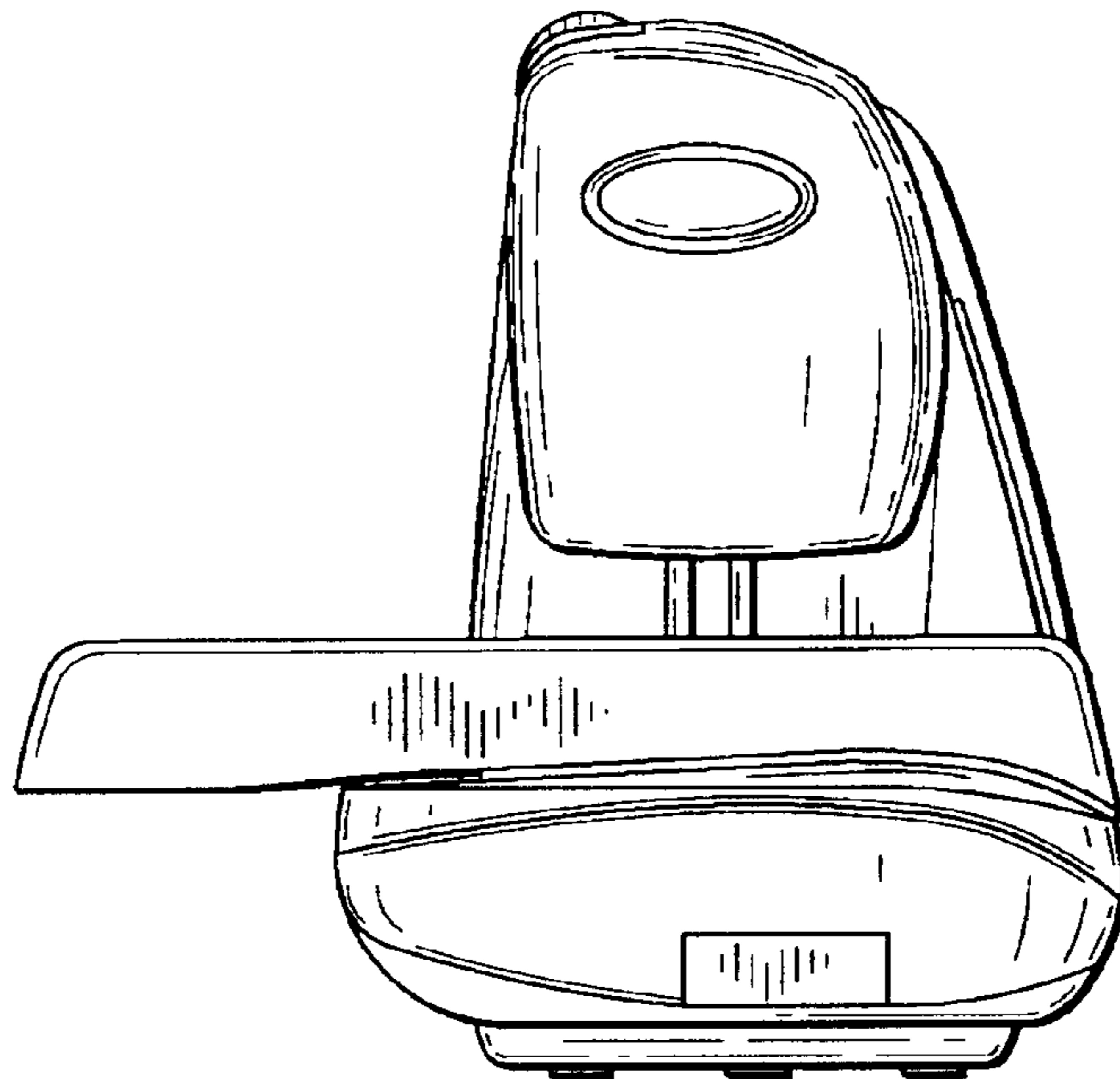


FIG. 4

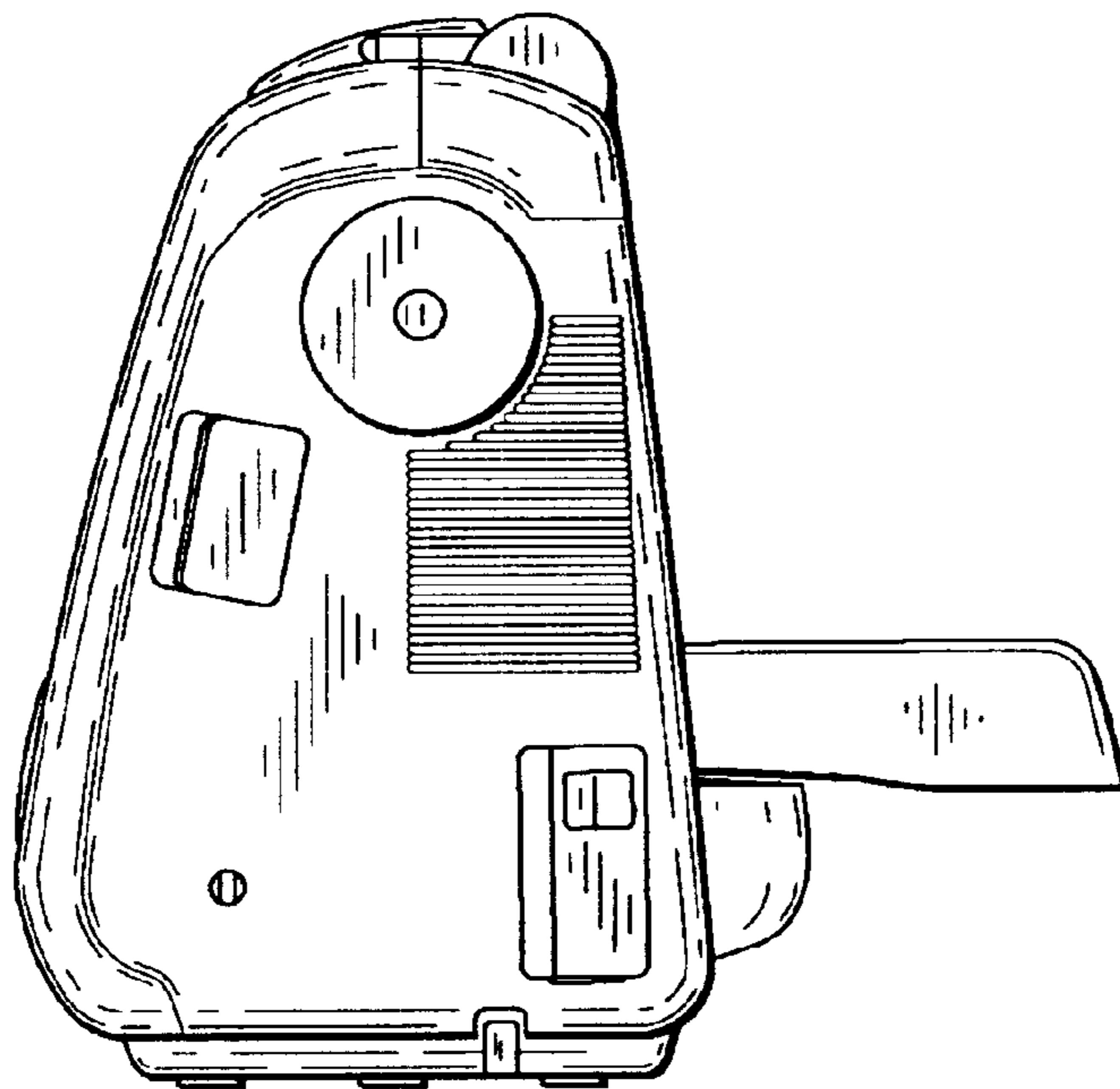


FIG. 5

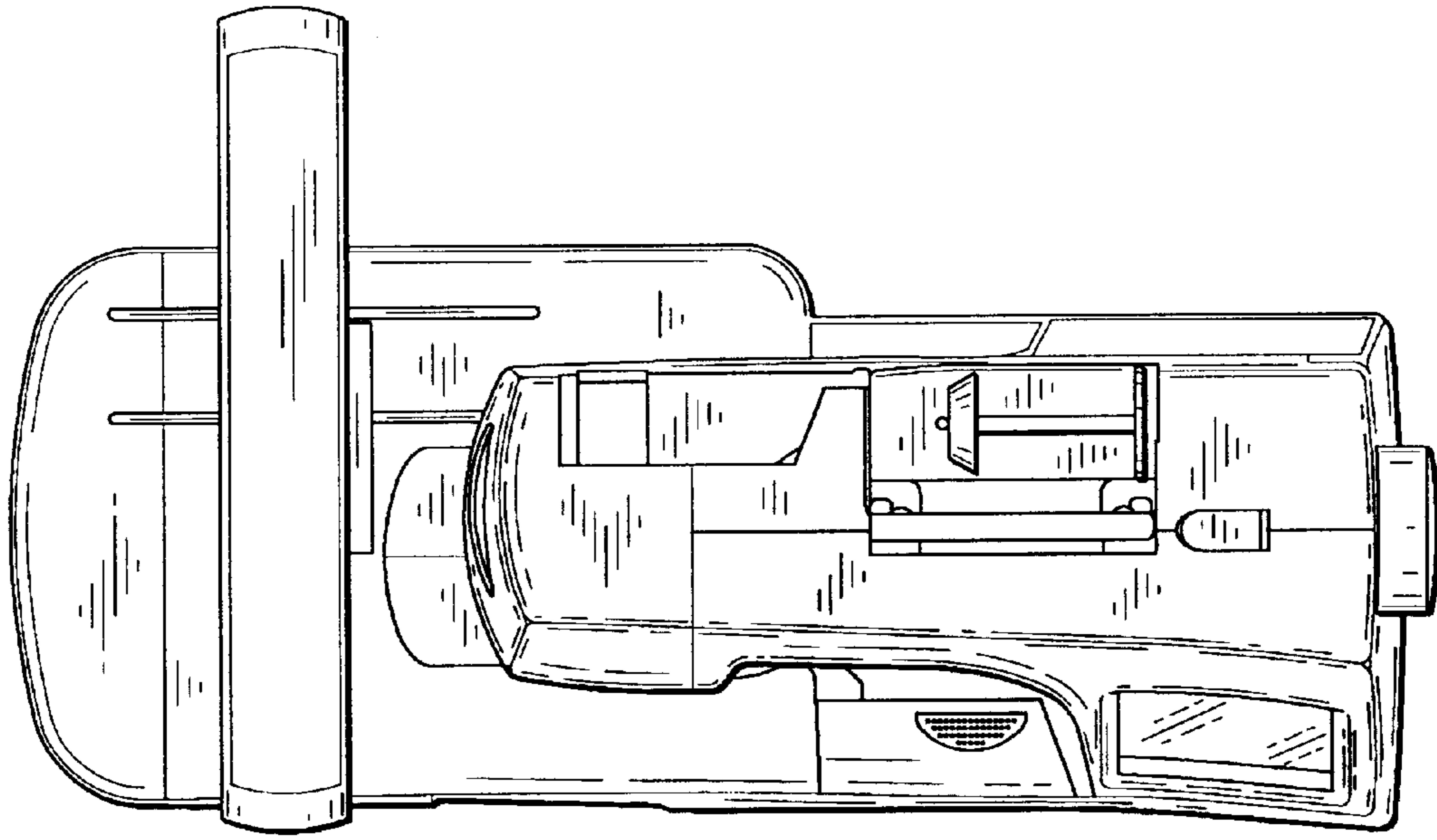


FIG. 6

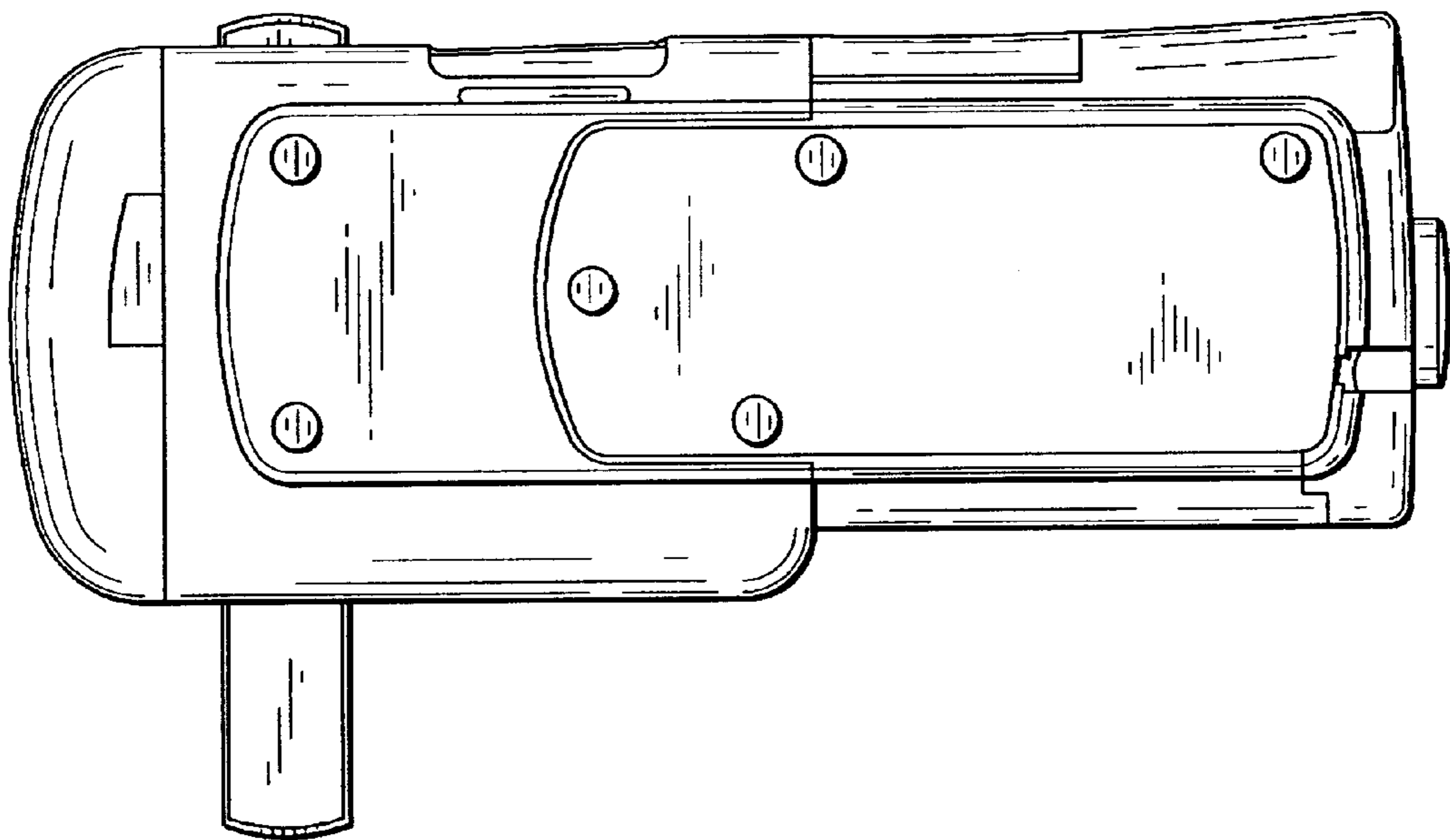


FIG. 7

