



US00D469449S

(12) **United States Design Patent**
Andrews

(10) **Patent No.:** **US D469,449 S**

(45) **Date of Patent:** **** Jan. 28, 2003**

(54) **TRACTOR ACCESSORY STEP EXTENSION**

(76) Inventor: **Eugene C. Andrews**, 3406 N. Riverside Dr., Lenexa, VA (US) 23089

(**) Term: **14 Years**

(21) Appl. No.: **29/154,053**

(22) Filed: **Jan. 15, 2002**

(51) **LOC (7) Cl.** **15-03**

(52) **U.S. Cl.** **D15/33**

(58) **Field of Search** D15/22-28, 33;
56/13.3, 13.4, 16.1, 15.8, 15.9, 320.1, 320.2,
202; 180/900, 89.1, 89.12

(56) **References Cited**

U.S. PATENT DOCUMENTS

D448,390 S	*	9/2001	Westimayer et al.	D15/28
D453,777 S	*	2/2002	Williams	D15/33
D455,764 S	*	4/2002	Williams	D15/33
D457,175 S	*	5/2002	Goebert et al.	D15/33
D460,088 S	*	7/2002	Hohnl et al.	D15/33

* cited by examiner

Primary Examiner—Mitchell Siegel

(74) *Attorney, Agent, or Firm*—Stephen D. Carver

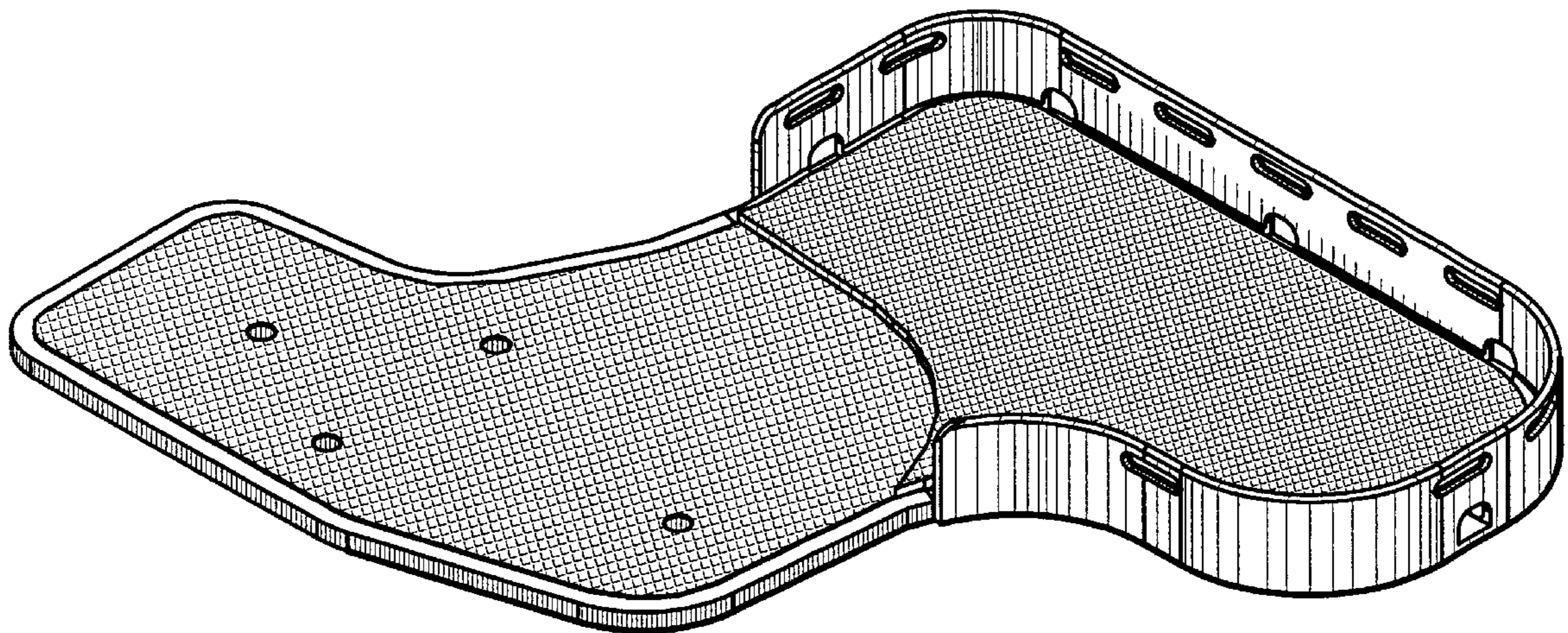
(57) **CLAIM**

The ornamental design for a tractor accessory step extension, as shown.

DESCRIPTION

FIG. 1 is a rear isometric view of the best mode of my tractor accessory step extension;
 FIG. 2 is a left side isometric view thereof;
 FIG. 3 is a frontal, bottom isometric view thereof;
 FIG. 4 is a frontal, top isometric view thereof;
 FIG. 5 is a plan view thereof looking downwardly upon the device;
 FIG. 6 is a left side elevational view thereof;
 FIG. 7 is a front elevational view thereof, taken from a position generally to the left of FIG. 6;
 FIG. 8 is a rear elevational view thereof, taken from a position generally to the right of FIG. 6;
 FIG. 9 is a bottom plan view thereof; and,
 FIG. 10 is a right side elevational view thereof, showing the side opposite that seen in FIG. 6.

1 Claim, 9 Drawing Sheets



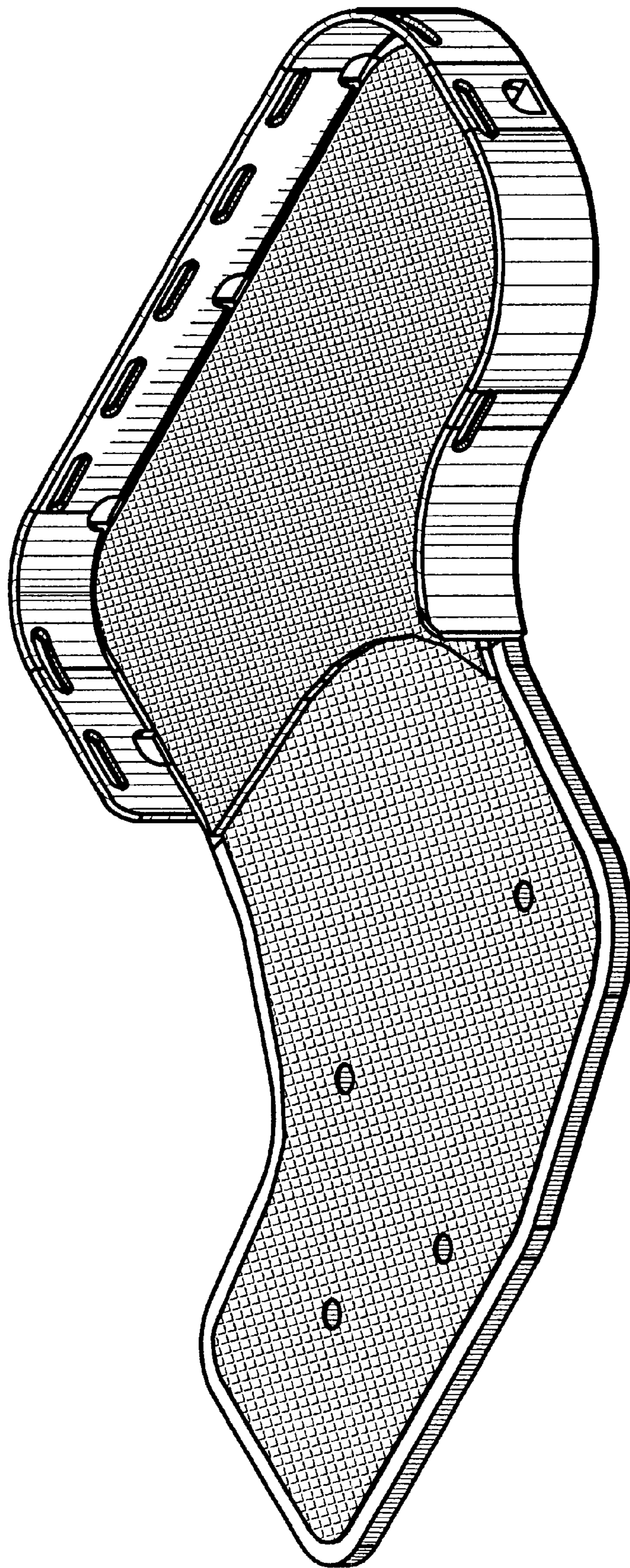


Fig. 1

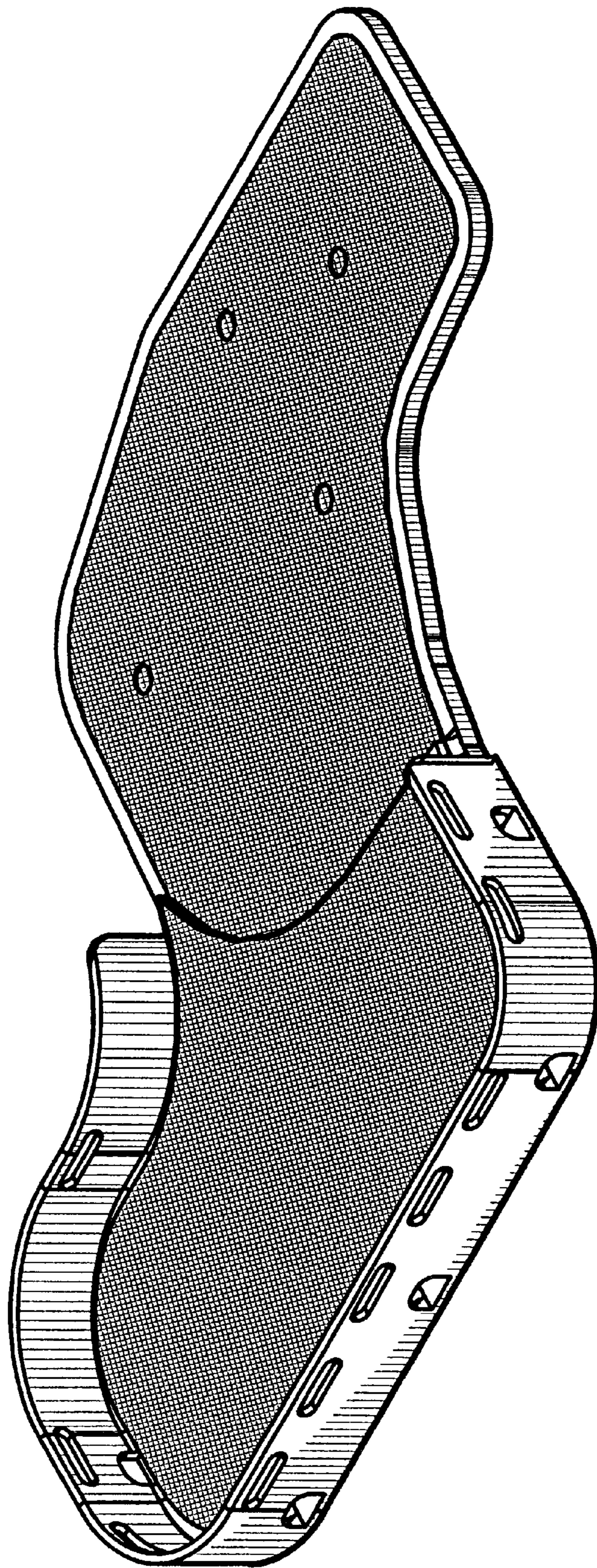


Fig. 2

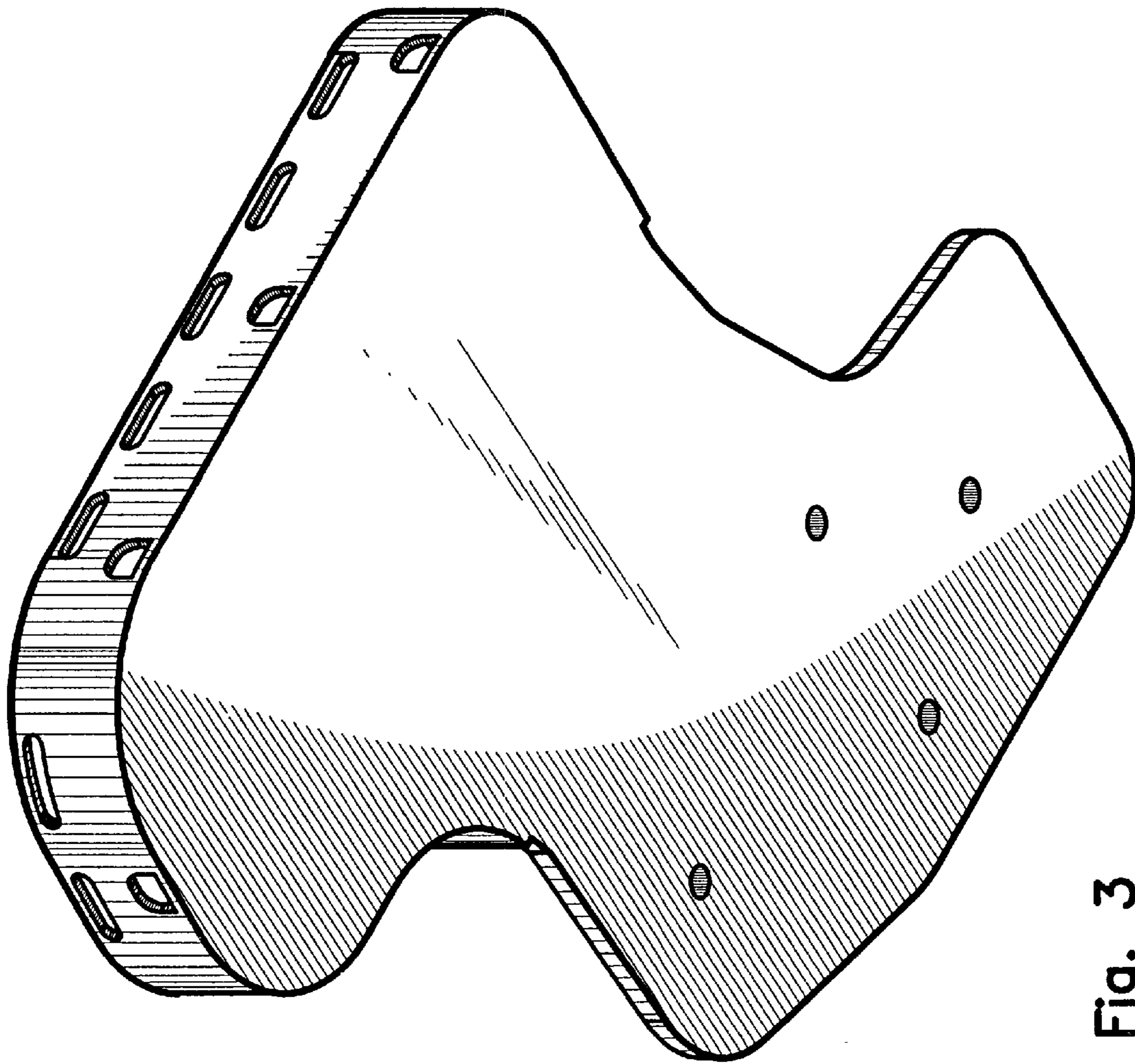


Fig. 3

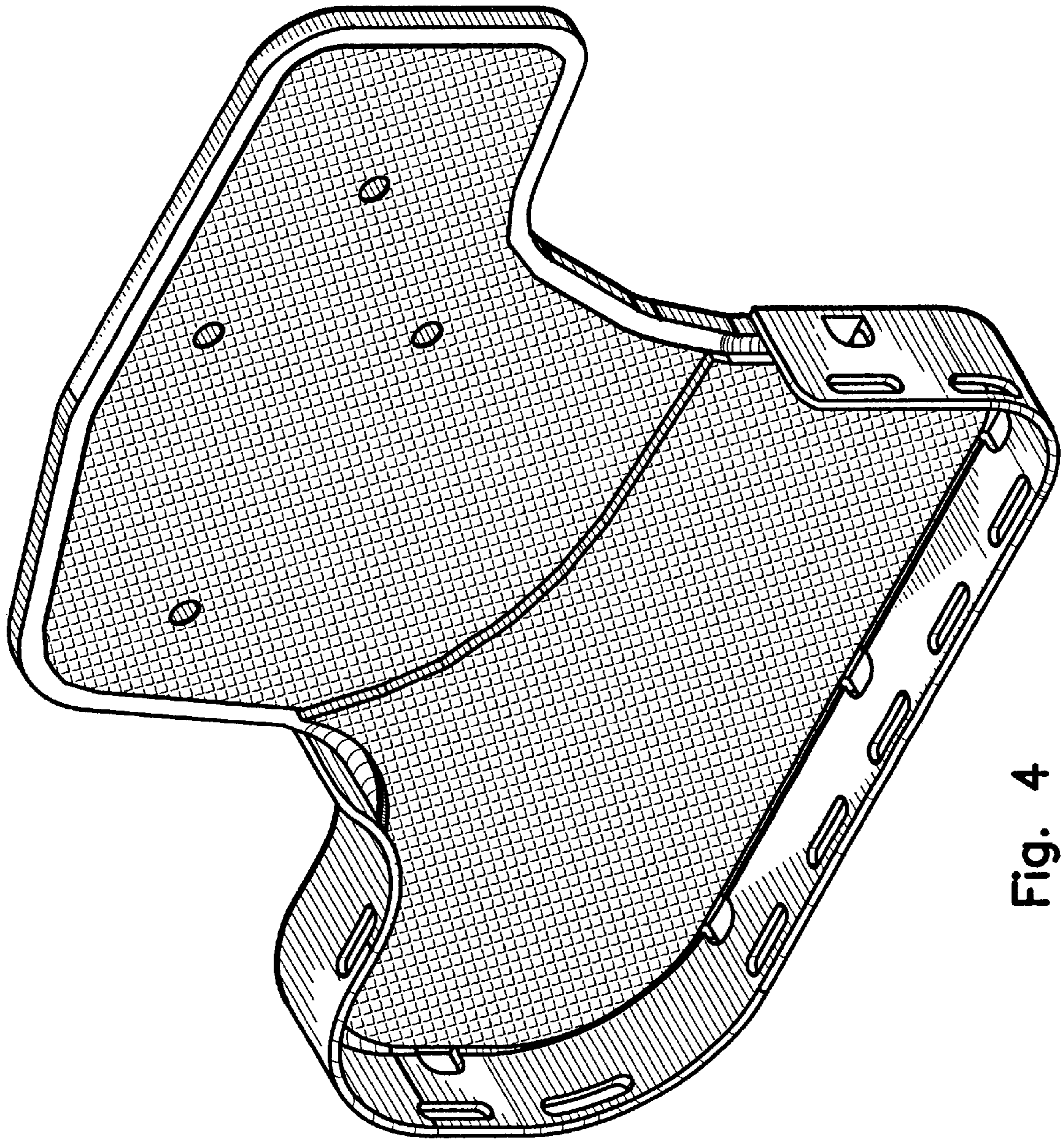


Fig. 4

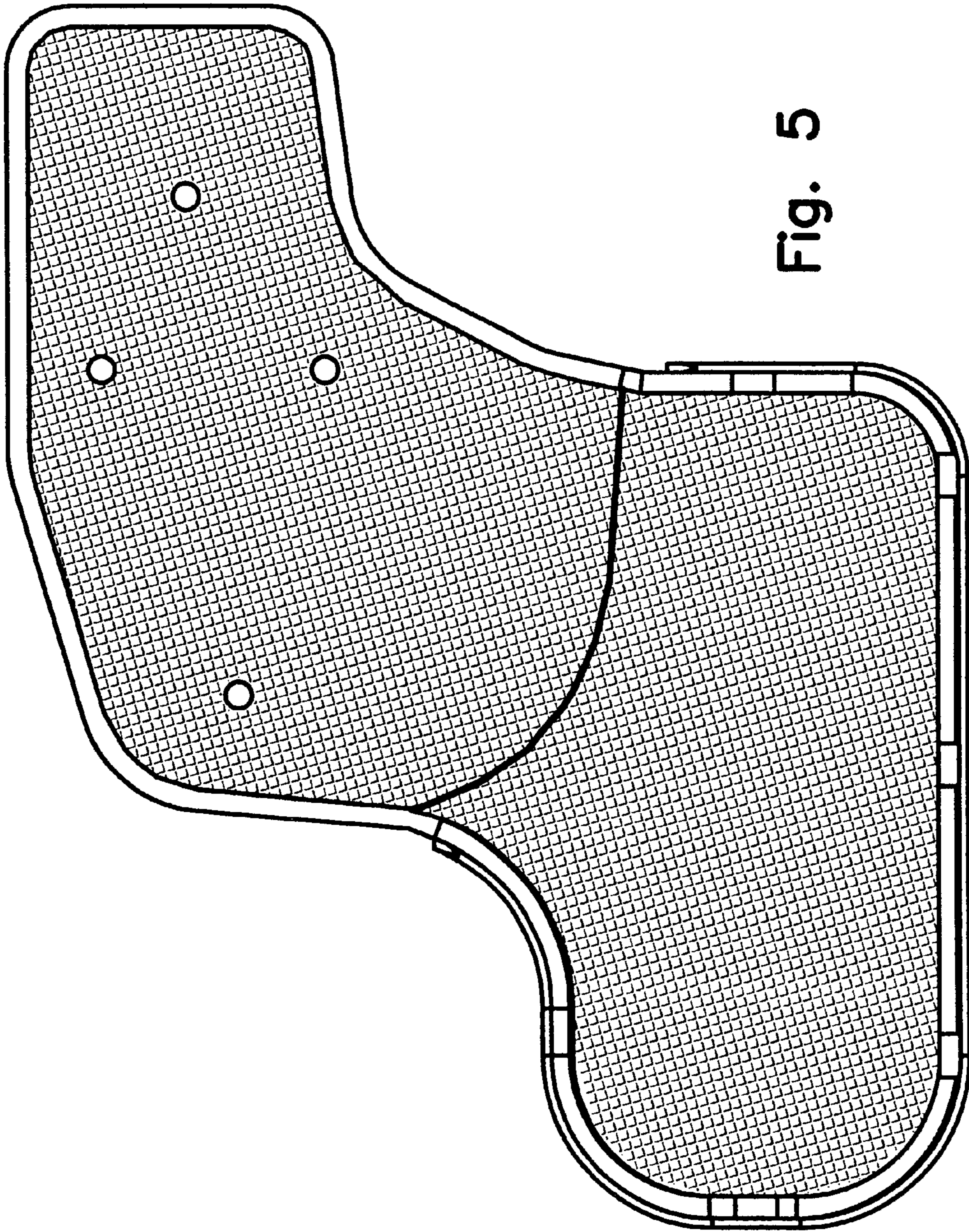


Fig. 5

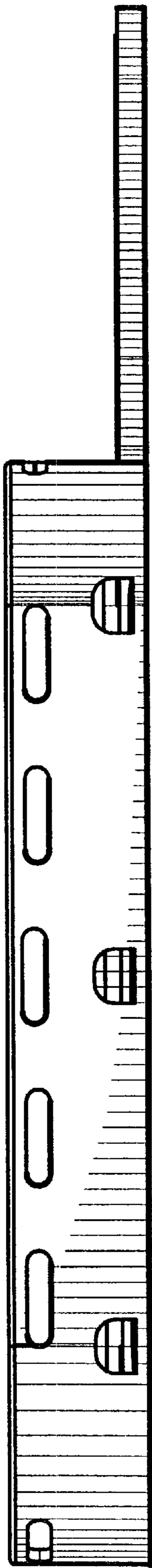


Fig. 6

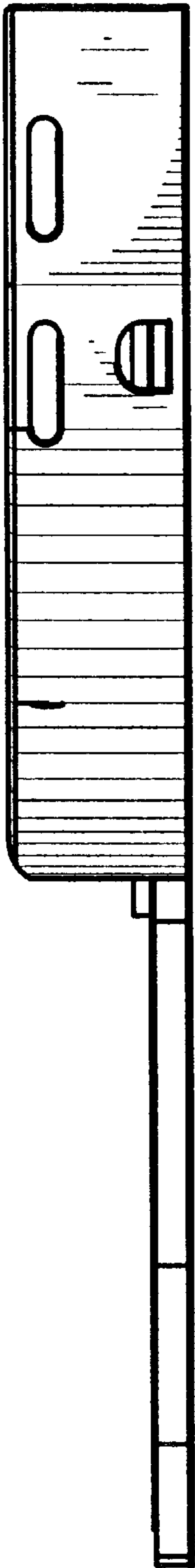


Fig. 7

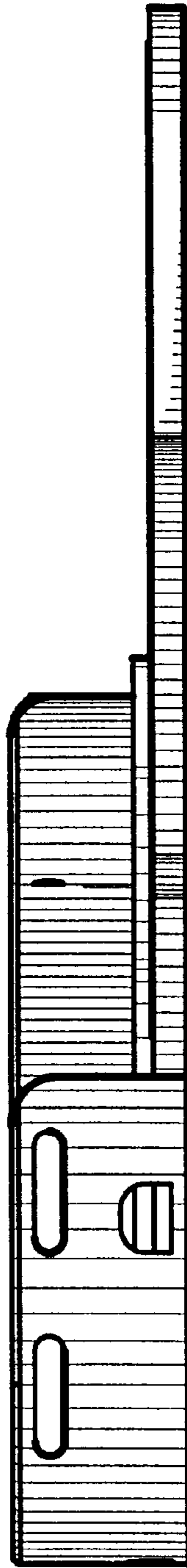


Fig. 8

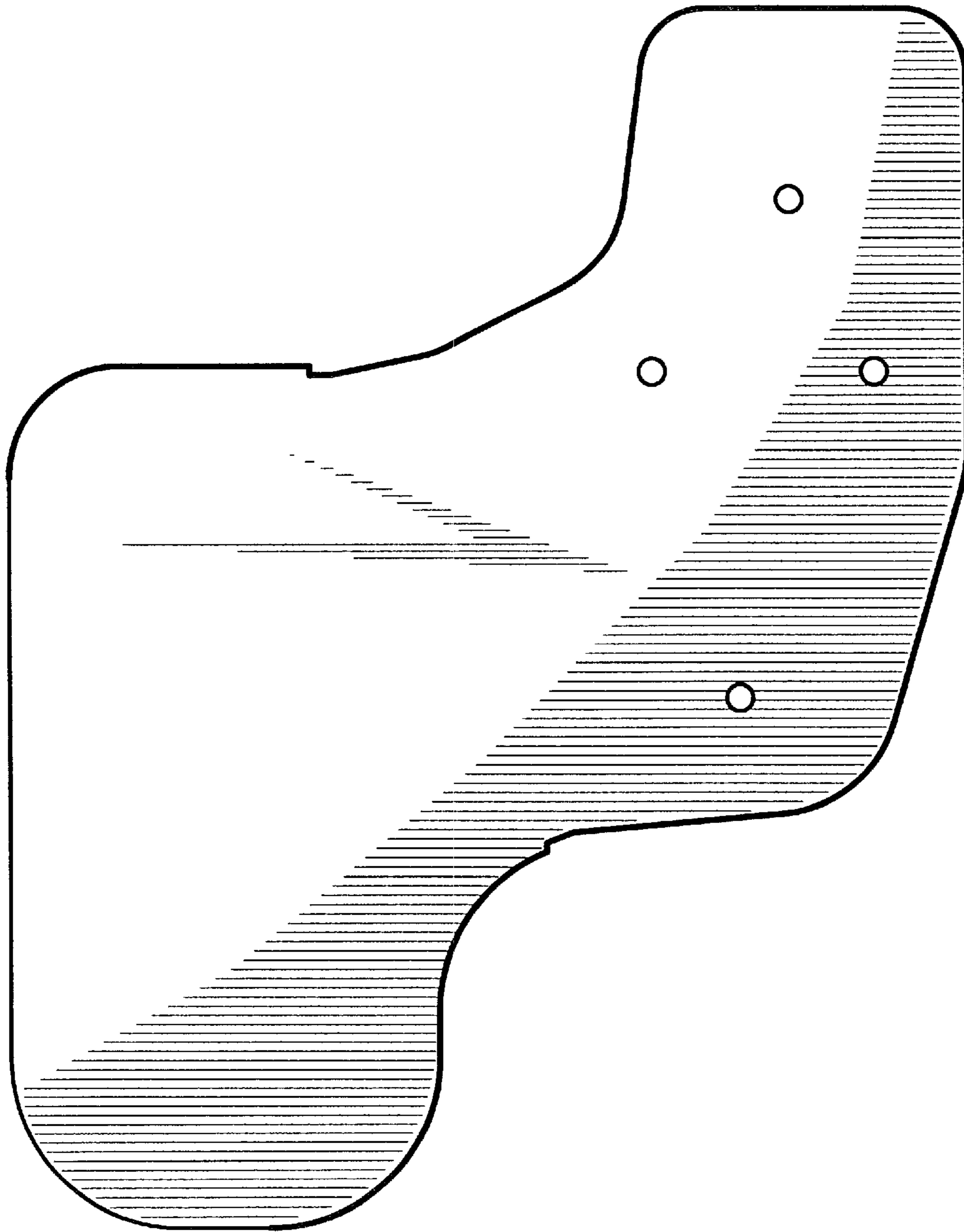


Fig. 9

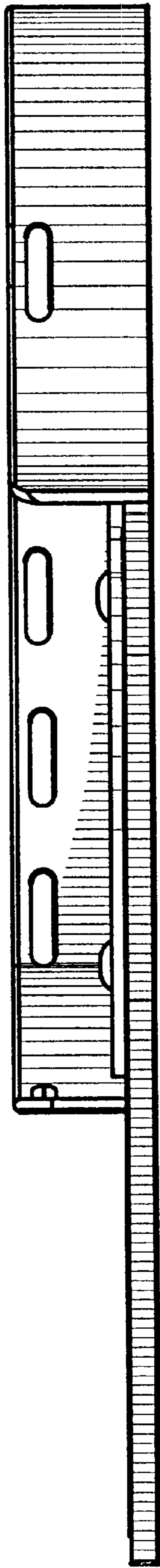


Fig. 10