

US00D469448S

(12) **United States Design Patent**
Bares et al.

(10) **Patent No.:** **US D469,448 S**
(45) **Date of Patent:** **** Jan. 28, 2003**

(54) **LIFT ARM FOR A TRACK PROPELLED
SMALL LOADER**

6,171,050 B1 * 1/2001 Johnson 414/685

OTHER PUBLICATIONS

(75) Inventors: **Mark F. Bares**, Oakes, ND (US);
James H. Page, Bottineau, ND (US)

Attachments for Loader (Bobcat), Published 1996.
Mertz, Inc. Boxer Advertisement, published at least as early
as Nov. 1, 2000, 3 pages.

(73) Assignee: **Clark Equipment Company**, Woodcliff
Lake, NJ (US)

Toro Dingo Tract Utility Loaders, TX400 Series Advertise-
ment, published at least as early as Nov. 1, 2000, 3 pages.
Finn Skid Steer 250, Finn Corporation, published at least as
early as Nov. 1, 2000, 5 pages.

(**) Term: **14 Years**

Publications by Ramrod Equipment, Taskmaster Loaders,
showing models 550, 750, 900, 910 and 944 with attachment
pages, a total of 11 pages. Published at least as early as Nov.
1, 2000.

(21) Appl. No.: **29/151,072**

(22) Filed: **Nov. 1, 2001**

(51) **LOC (7) Cl.** **15-03**

(52) **U.S. Cl.** **D15/32**

(58) **Field of Search** D15/22-25, 28,
D15/32, 33; 180/89.1, 89.12, 900; 414/685,
686, 680, 700

(List continued on next page.)

Primary Examiner—Mitchell Siegel

(74) *Attorney, Agent, or Firm*—Westman, Champlin &
Kelly, P.A.

(56) **References Cited**

(57) **CLAIM**

U.S. PATENT DOCUMENTS

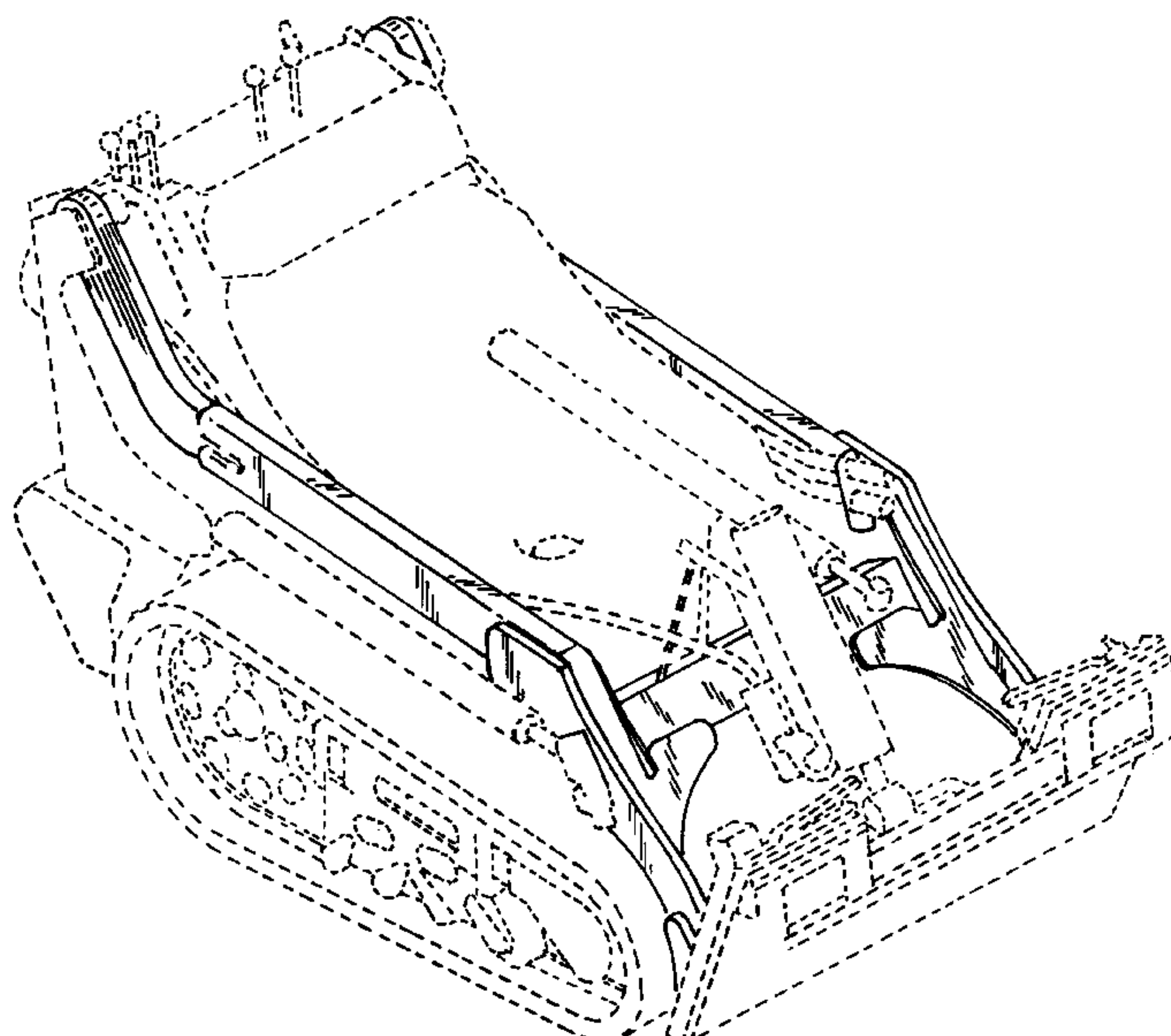
The ornamental design for a lift arm for a track propelled
small loader, as shown and described.

1,371,344 A	3/1921	Brackett	
D205,485 S	8/1966	Juhl et al.	
3,411,647 A	11/1968	Zimmerman	214/770
D294,032 S	2/1988	Whiffin	D15/25
D317,926 S	7/1991	Lynnes et al.	D15/25
5,064,011 A	11/1991	Ogano et al.	180/9.22
D322,792 S	* 12/1991	Park	D15/25
5,169,278 A	* 12/1992	Hoechst et al.	414/685
5,212,896 A	5/1993	Hillard et al.	37/86
5,307,880 A	5/1994	Woerner	172/19
D359,497 S	6/1995	Rayner	D15/25
5,470,190 A	11/1995	Bamford et al.	414/686
5,542,814 A	8/1996	Ashcroft et al.	414/786
5,609,464 A	3/1997	Moffitt et al.	414/685
5,647,721 A	7/1997	Rohrbaugh	414/686
D407,415 S	* 3/1999	Flatau et al.	D15/28
D431,574 S	10/2000	Porter	D15/25

DESCRIPTION

FIG. 1 is a front perspective view of our new design, the
broken line showing of the loader is for illustrative por-
poses only and forms no part of the claimed design;
FIG. 2 is a front perspective view of the lift arm;
FIG. 3 is a right side elevational view of FIG. 1;
FIG. 4 is a right side elevational view of FIG. 2;
FIG. 5 is a left side elevational view of FIG. 2;
FIG. 6 is a rear elevational view of FIG. 2;
FIG. 7 is a front elevational view of FIG. 2;
FIG. 8 is a top plan view of FIG. 2; and,
FIG. 9 is a bottom plan view of FIG. 2.

1 Claim, 7 Drawing Sheets



OTHER PUBLICATIONS

Gravelly Skid Steer Loader information, published at least as early as Nov. 1, 2000, 7 pages.

Maximan Brochure (5 pages), Published before Nov. 1, 2000.

Maximan Web Page (2 pages), published before Nov. 1, 2000.

Dexhoff Equipment Brochure, "entitled the new TIPSKIP 650", (2 pages), Published before Nov. 1, 2000.

Mertz, Inc. Brochure, entitled "TrackMaster HP 800" (2 pages), Published before Nov. 1, 2000.

Thomas Equipment Ltd. Brochure, "25G" (Model 25G Specifications) (2 pages) Published before Nov. 1, 2000.

Mertz, Inc. Brochure, entitled "Boxer, America's first mini-skid steer with hydraulically adjustable track system." (2 pages), Published before Nov. 1, 2000.

Brochure on Toro Dingo "So What's on This Weekend's Agenda?" published to Nov. 1, 2000.

* cited by examiner

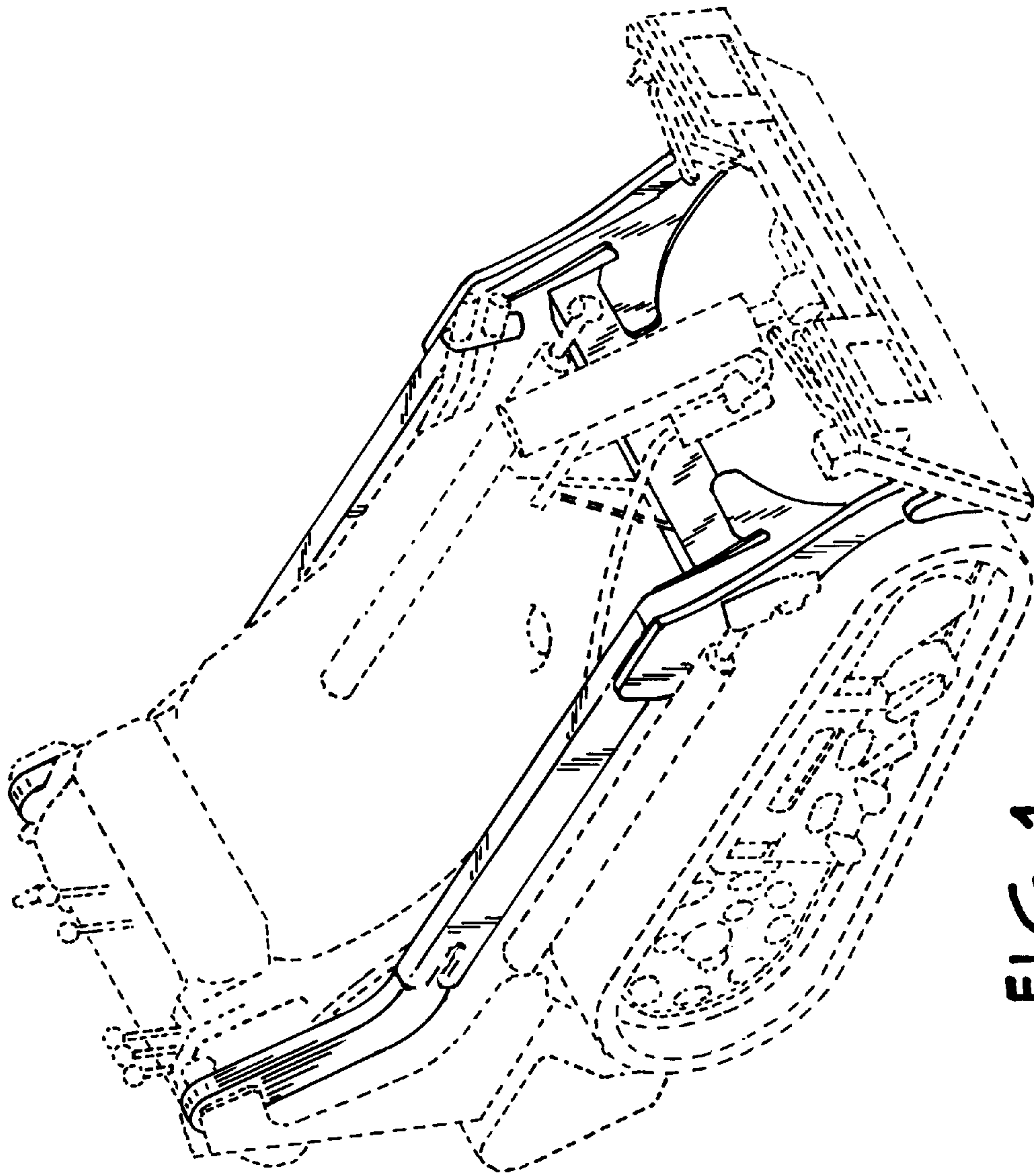


FIG. 1

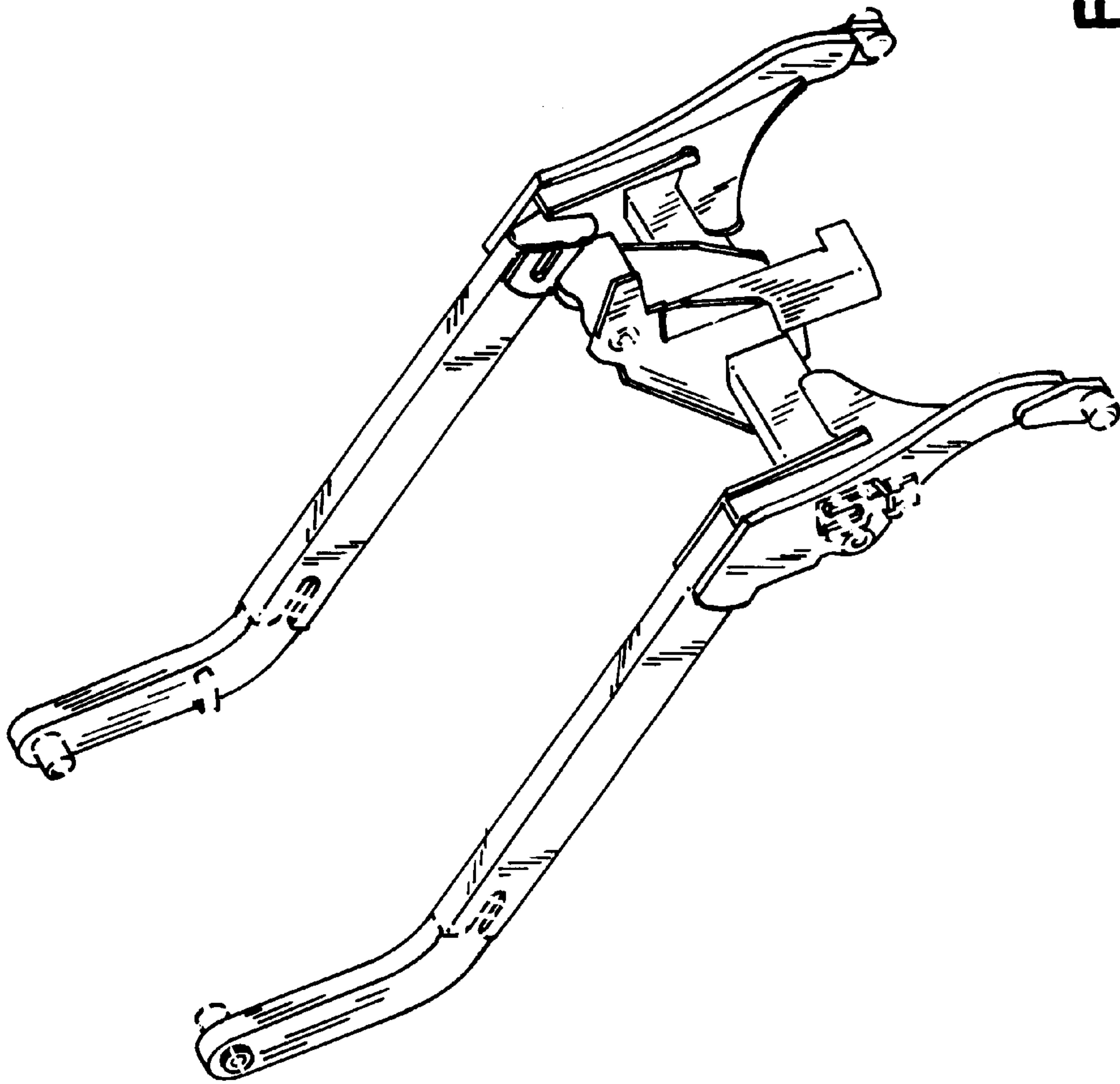


FIG. 2

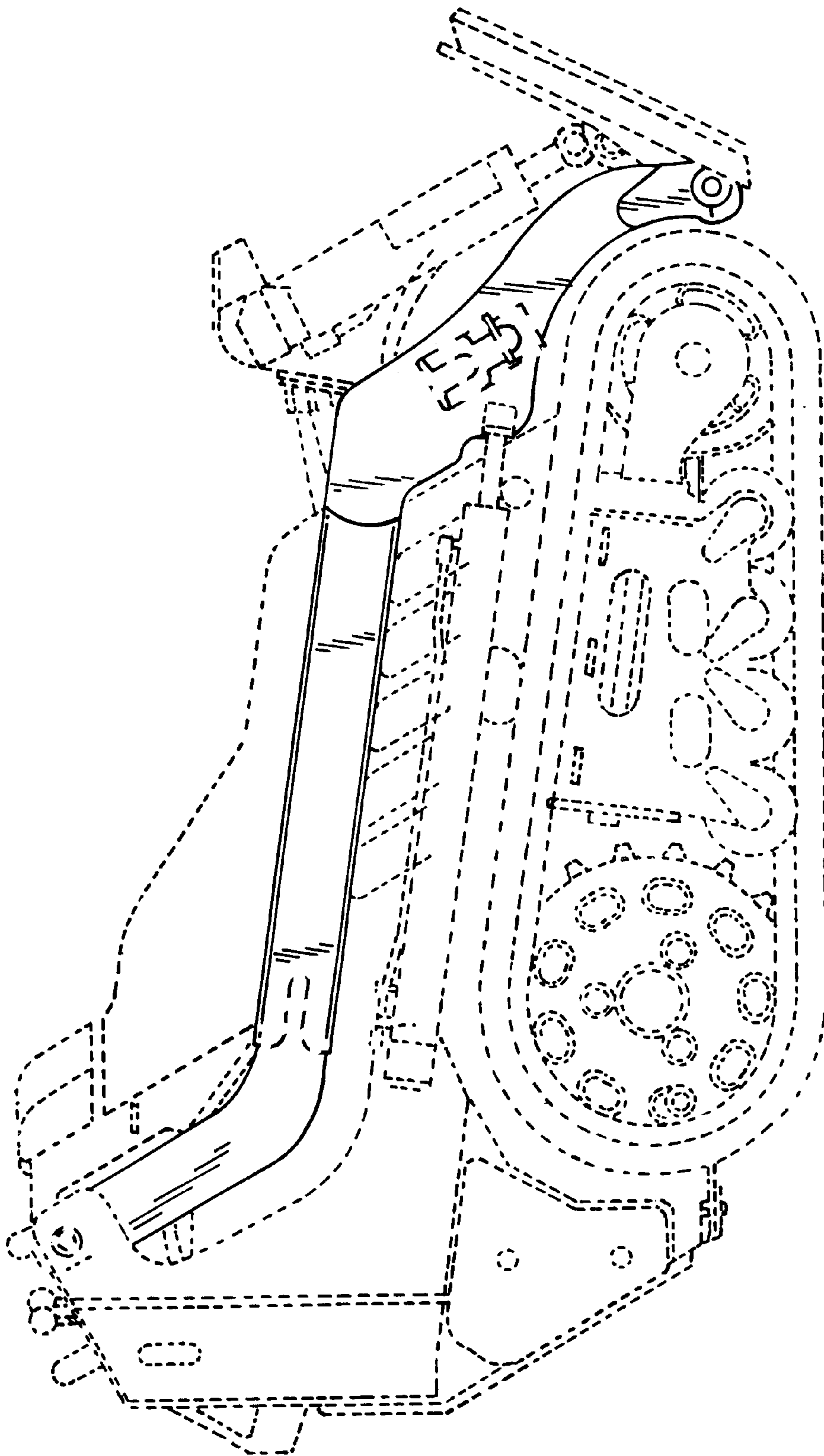


FIG. 3

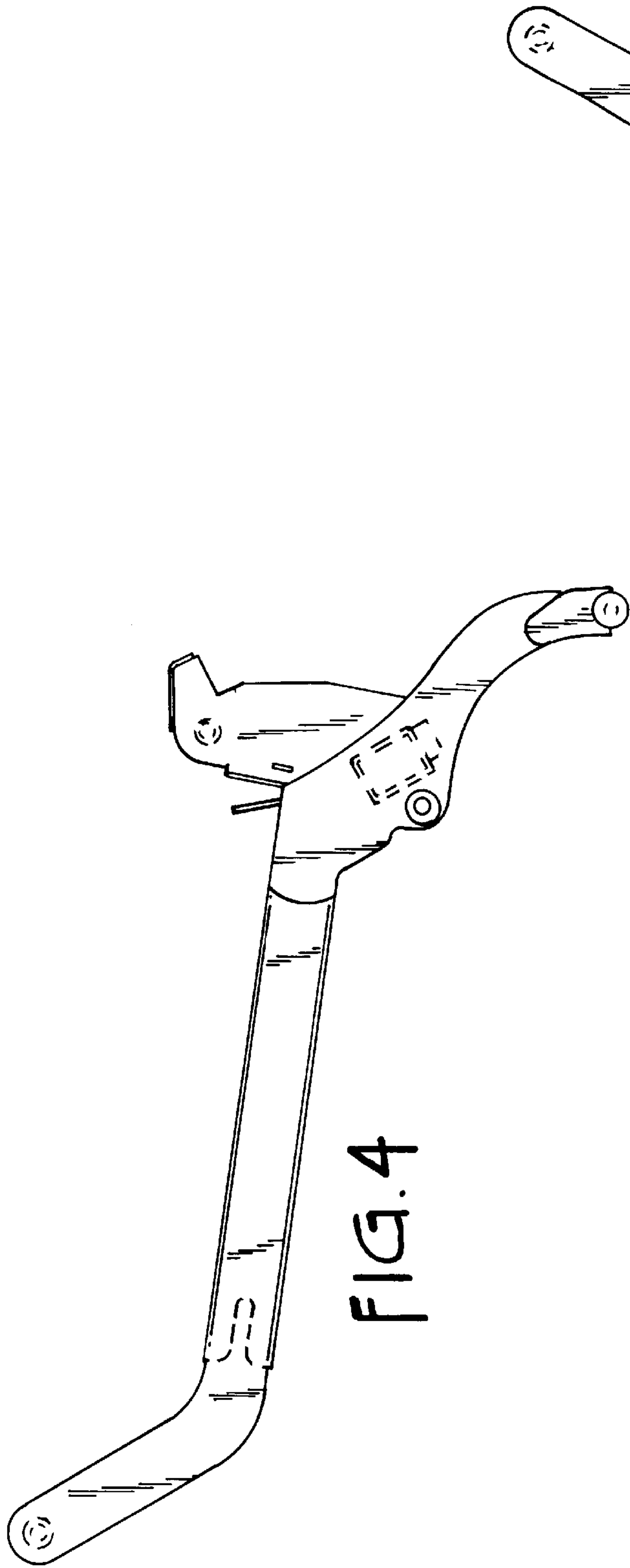


FIG. 4

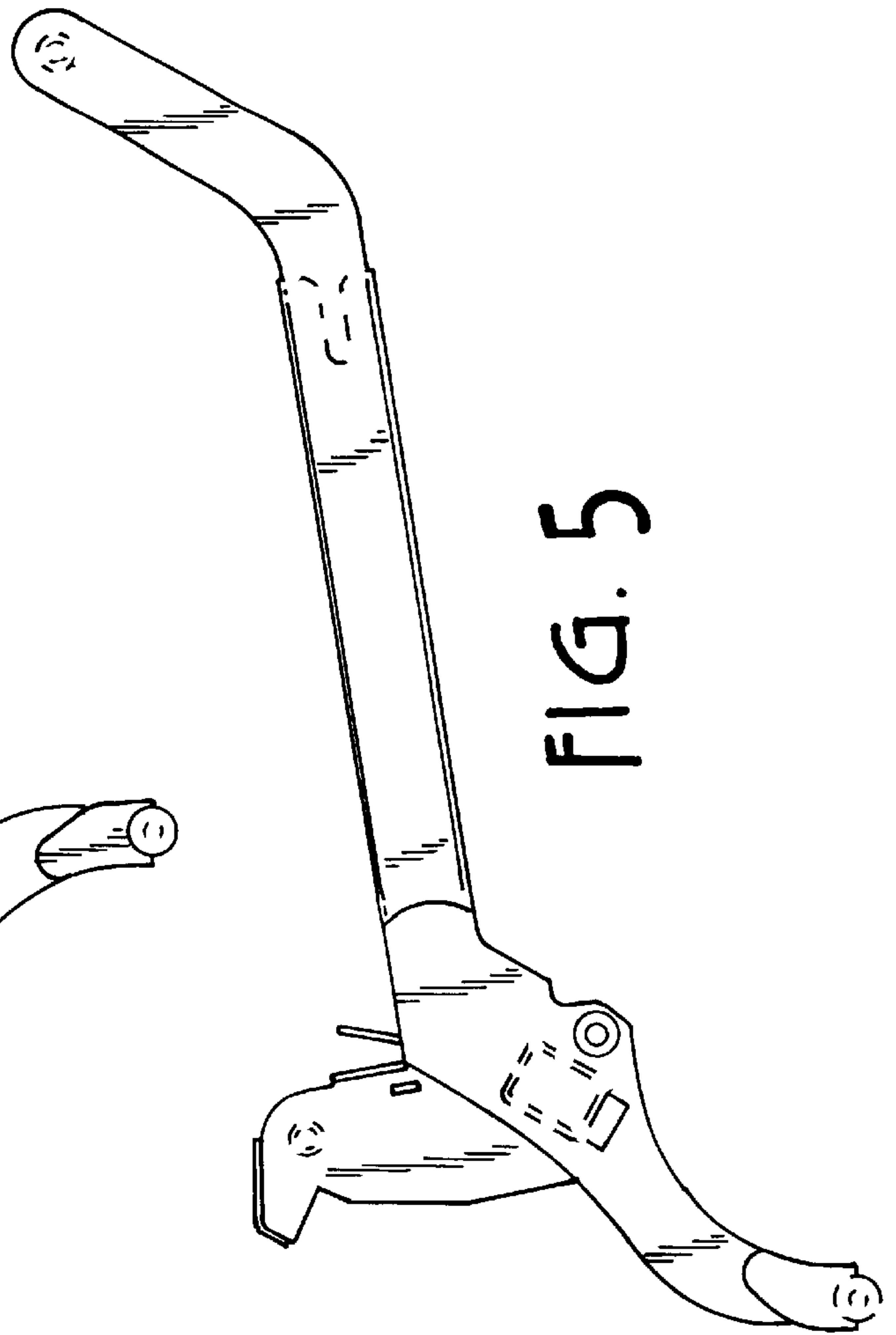


FIG. 5

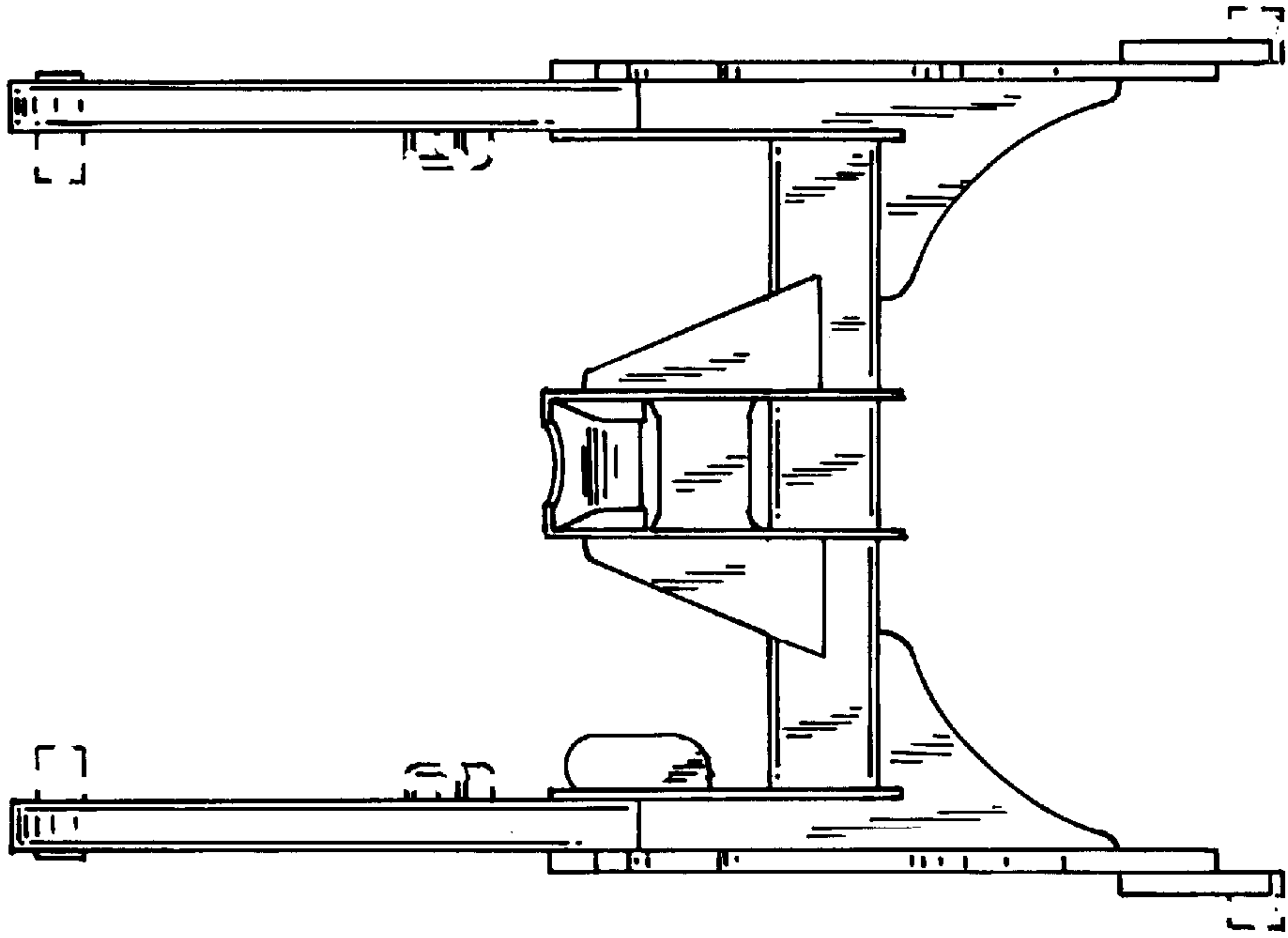


FIG. 7

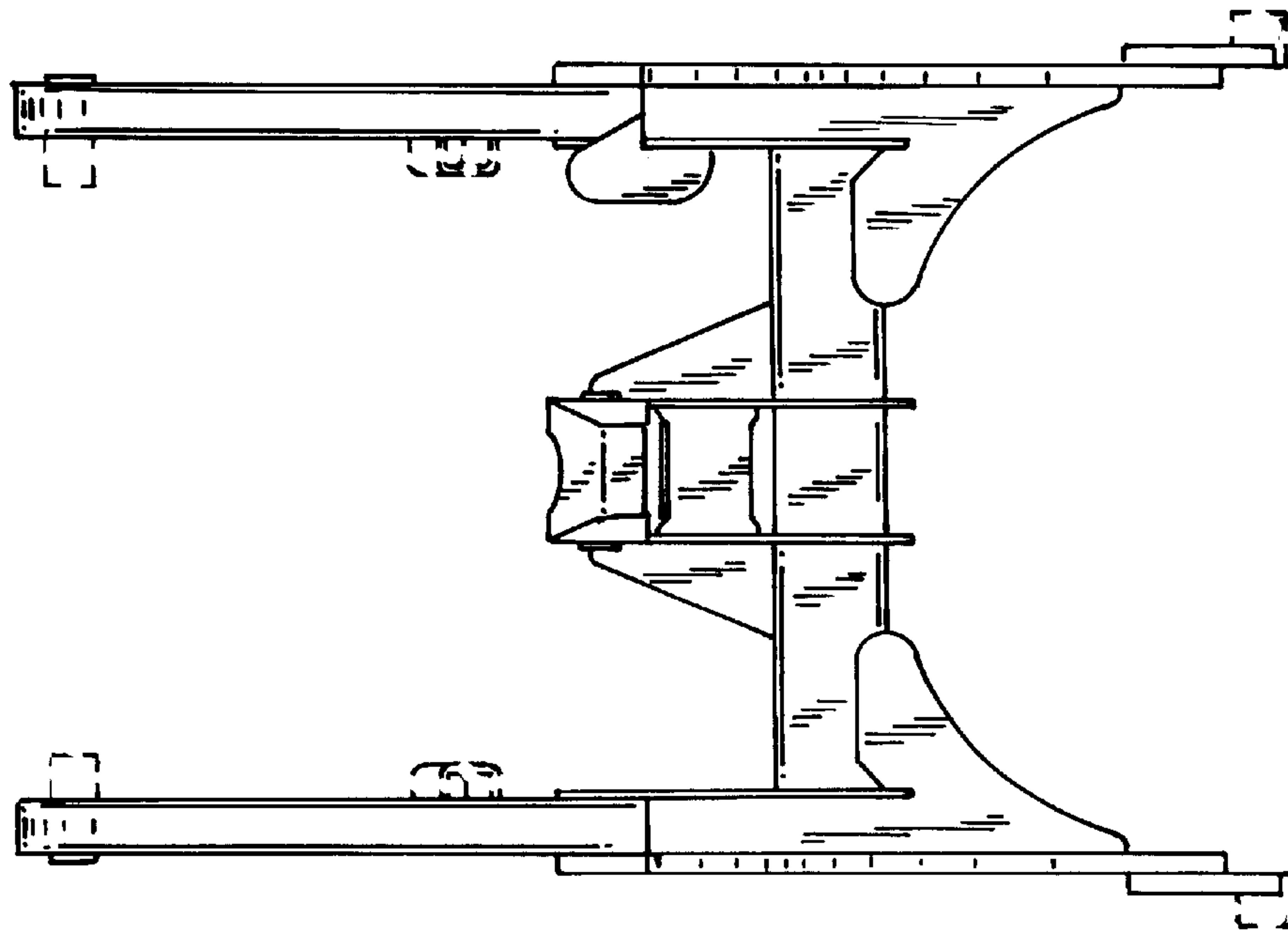


FIG. 6

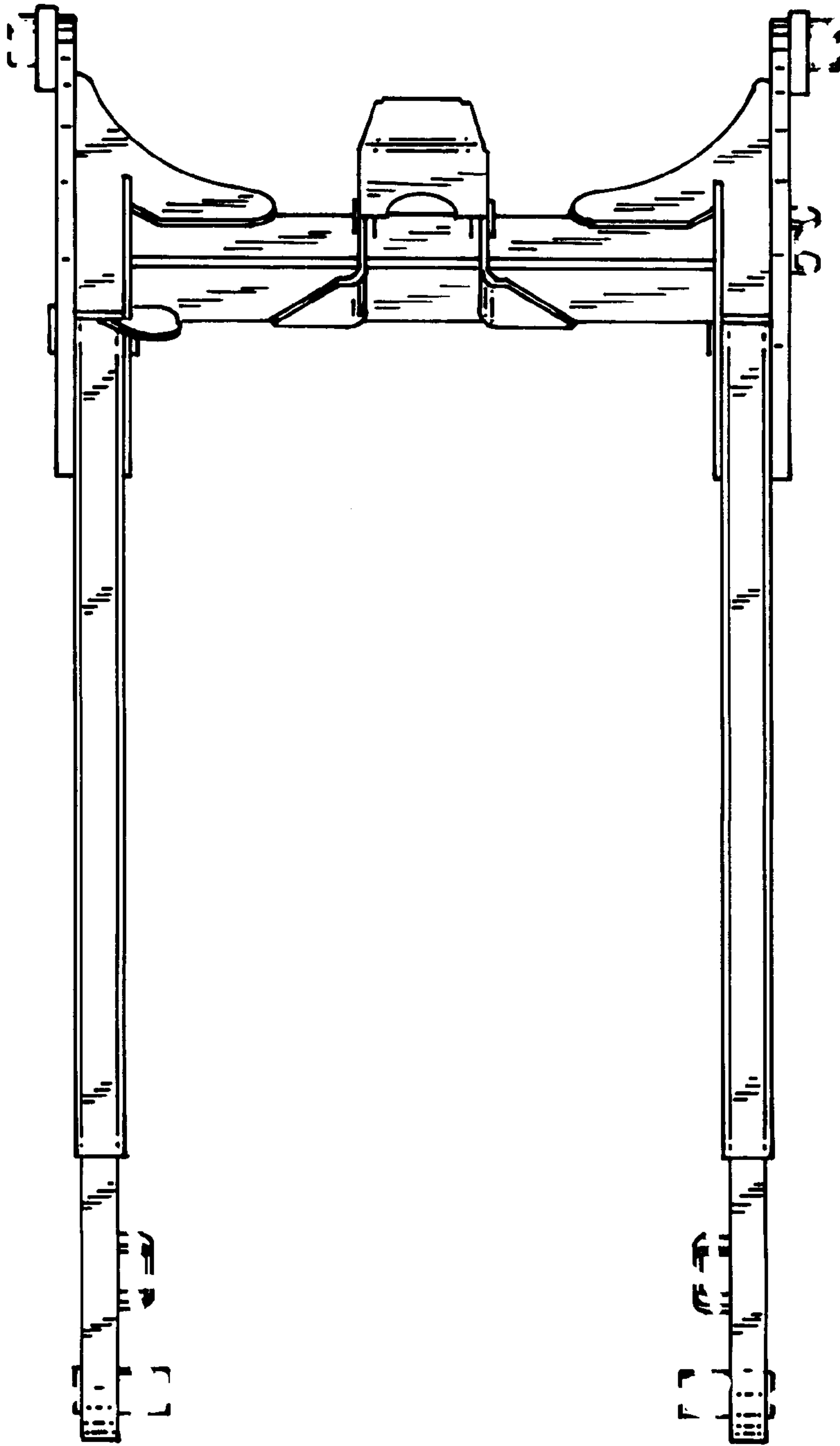


FIG. 8

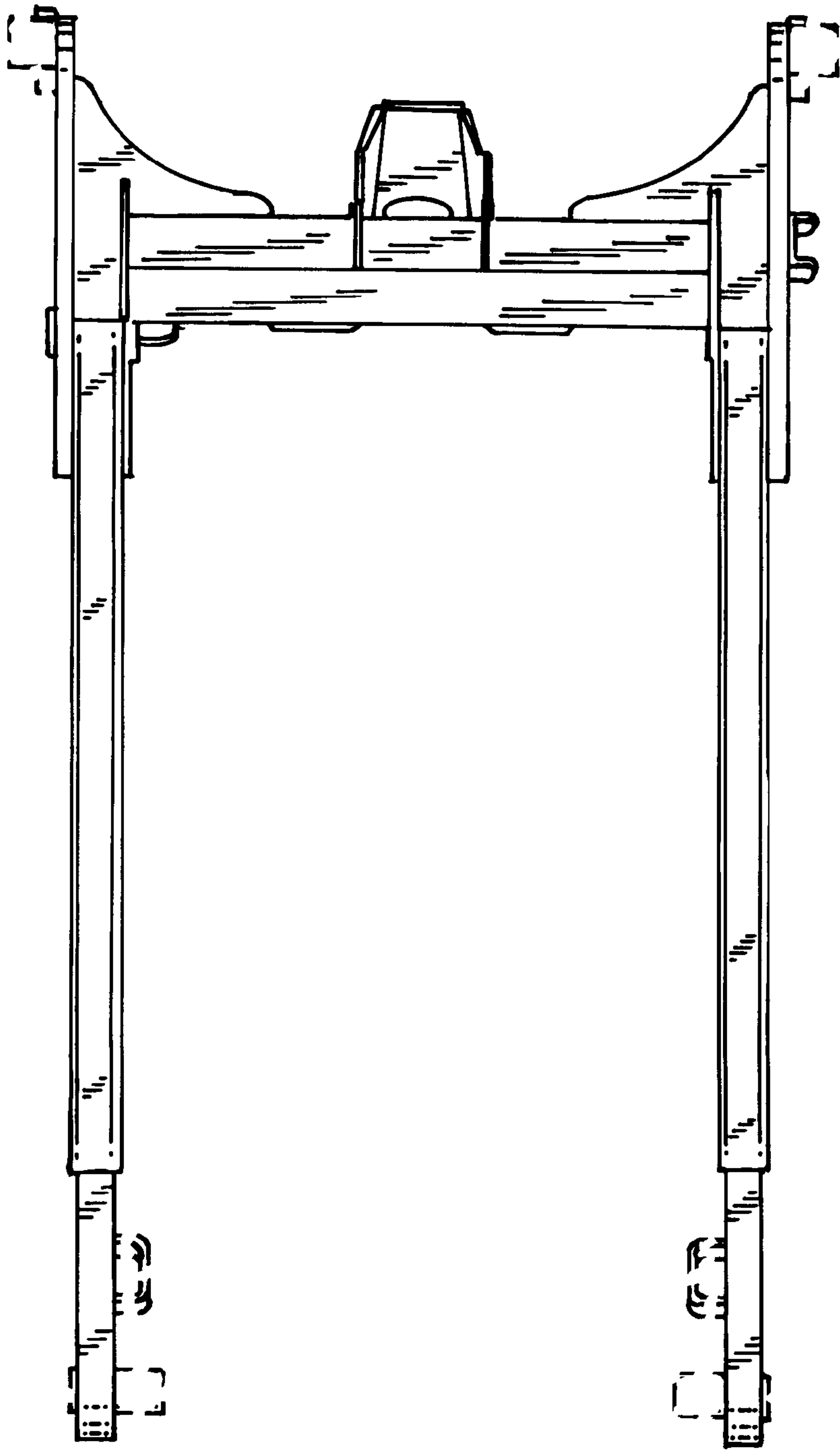


FIG. 9