



US00D469440S

(12) **United States Design Patent**
Lin

(10) **Patent No.:** **US D469,440 S**

(45) **Date of Patent:** **** Jan. 28, 2003**

(54) **SUPPORT FOR ELECTRONIC DEVICE**

D413,110 S * 8/1999 Sweere et al. D14/447
6,264,156 B1 * 7/2001 Yeh 248/346.01

(75) Inventor: **Yu-Chi Lin**, Taipei (TW)

* cited by examiner

(73) Assignee: **Inventec Appliances Corp.**, Taipei (TW)

Primary Examiner—Kay H. Chin

(**) Term: **14 Years**

(74) *Attorney, Agent, or Firm*—Birch, Stewart, Kolasch & Birch, LLP

(21) Appl. No.: **29/135,064**

(57) **CLAIM**

(22) Filed: **Dec. 18, 2000**

The ornamental design for a support for electronic device, as shown and described.

(51) **LOC (7) Cl.** **14-02**

DESCRIPTION

(52) **U.S. Cl.** **D14/447**

(58) **Field of Search** D14/439-447,
D14/217, 239, 299, 126; 248/125.1, 127,
133, 177.1, 178.1, 179.1, 183.1, 346.01,
346.02, 188.2, 917-924; 200/5 R, 5 A,
6 R, 6 A; 361/679-685; D13/184, 199

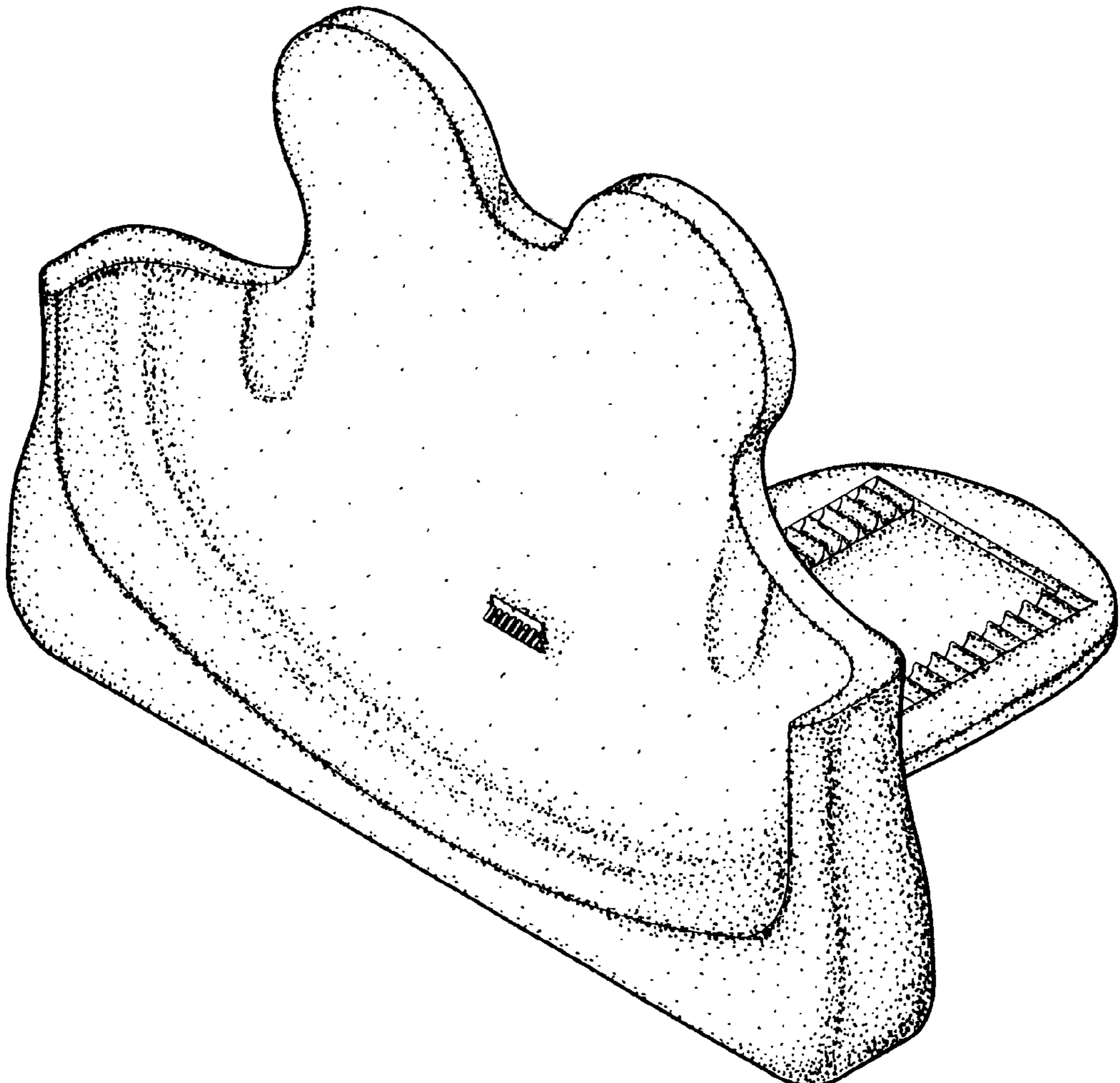
FIG. 1 is a perspective view of a support for electronic device, showing our new design;
FIG. 2 is right side elevational view thereof;
FIG. 3 is a top view thereof;
FIG. 4 is front view thereof;
FIG. 5 is a bottom view thereof;
FIG. 6 is a left side elevational view thereof; and,
FIG. 7 is a rear view thereof.

(56) **References Cited**

U.S. PATENT DOCUMENTS

D395,640 S * 6/1998 Goodman et al. D14/447

1 Claim, 7 Drawing Sheets



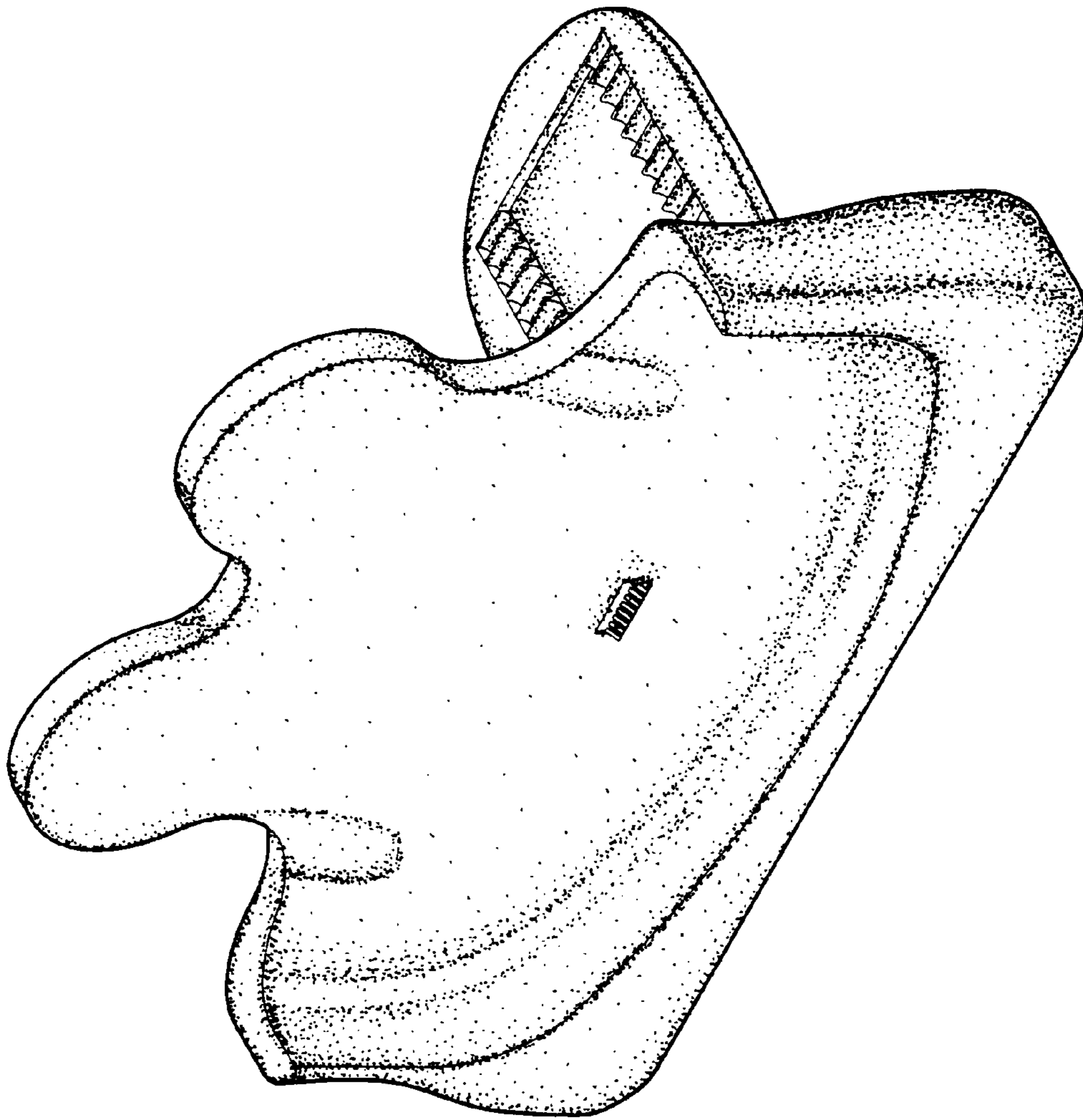


FIG. 1

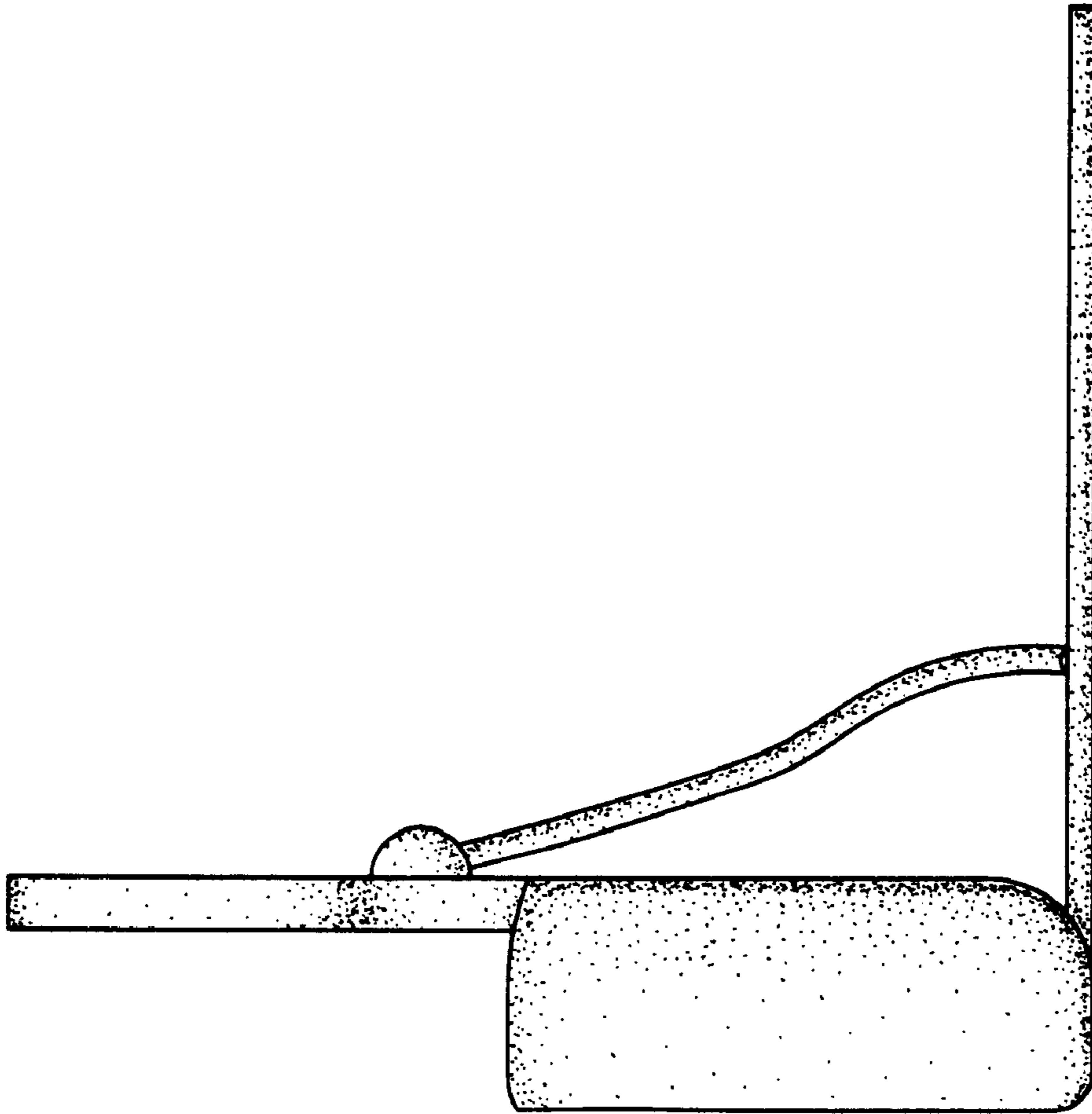


FIG. 2

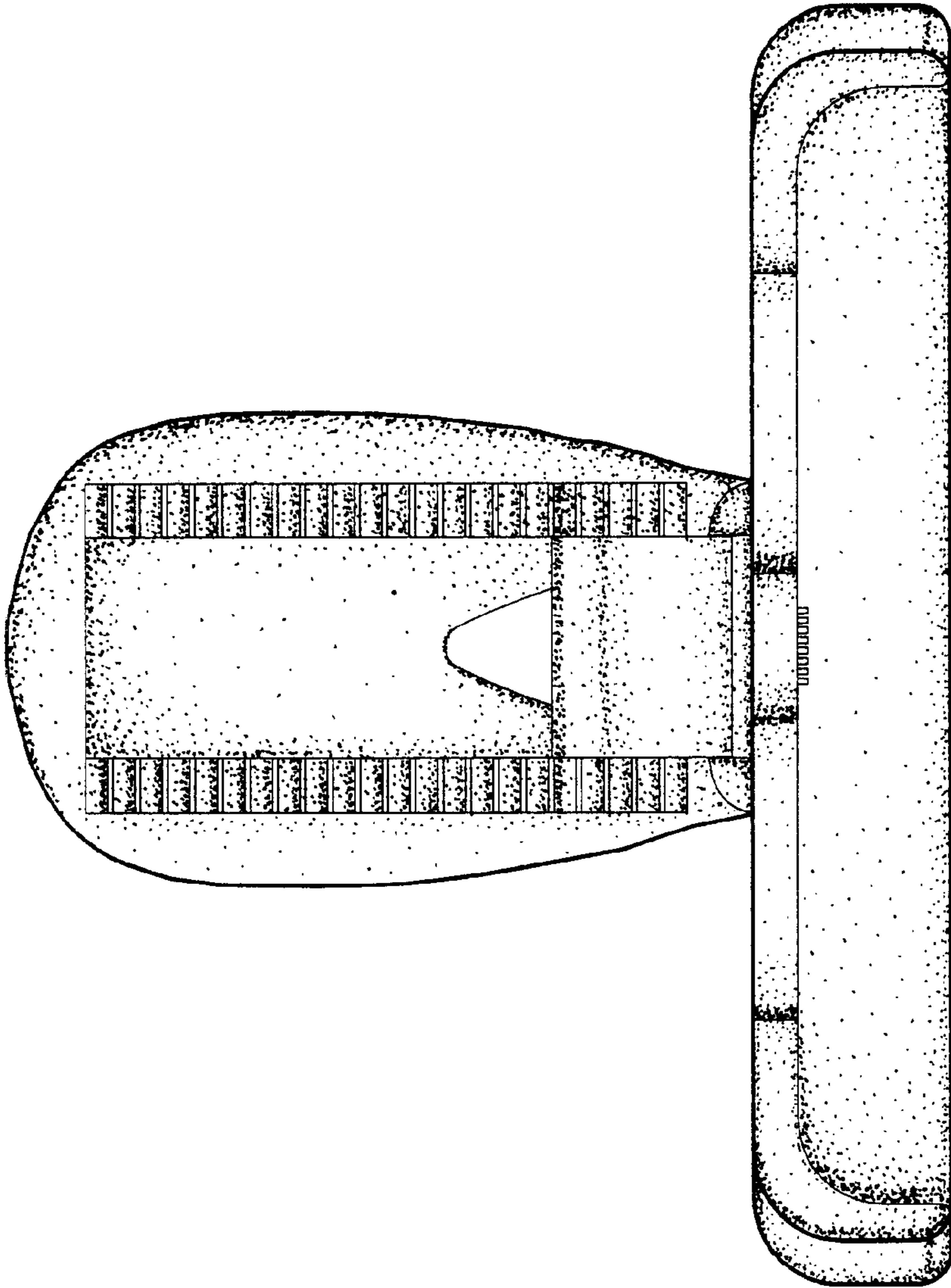


FIG. 3

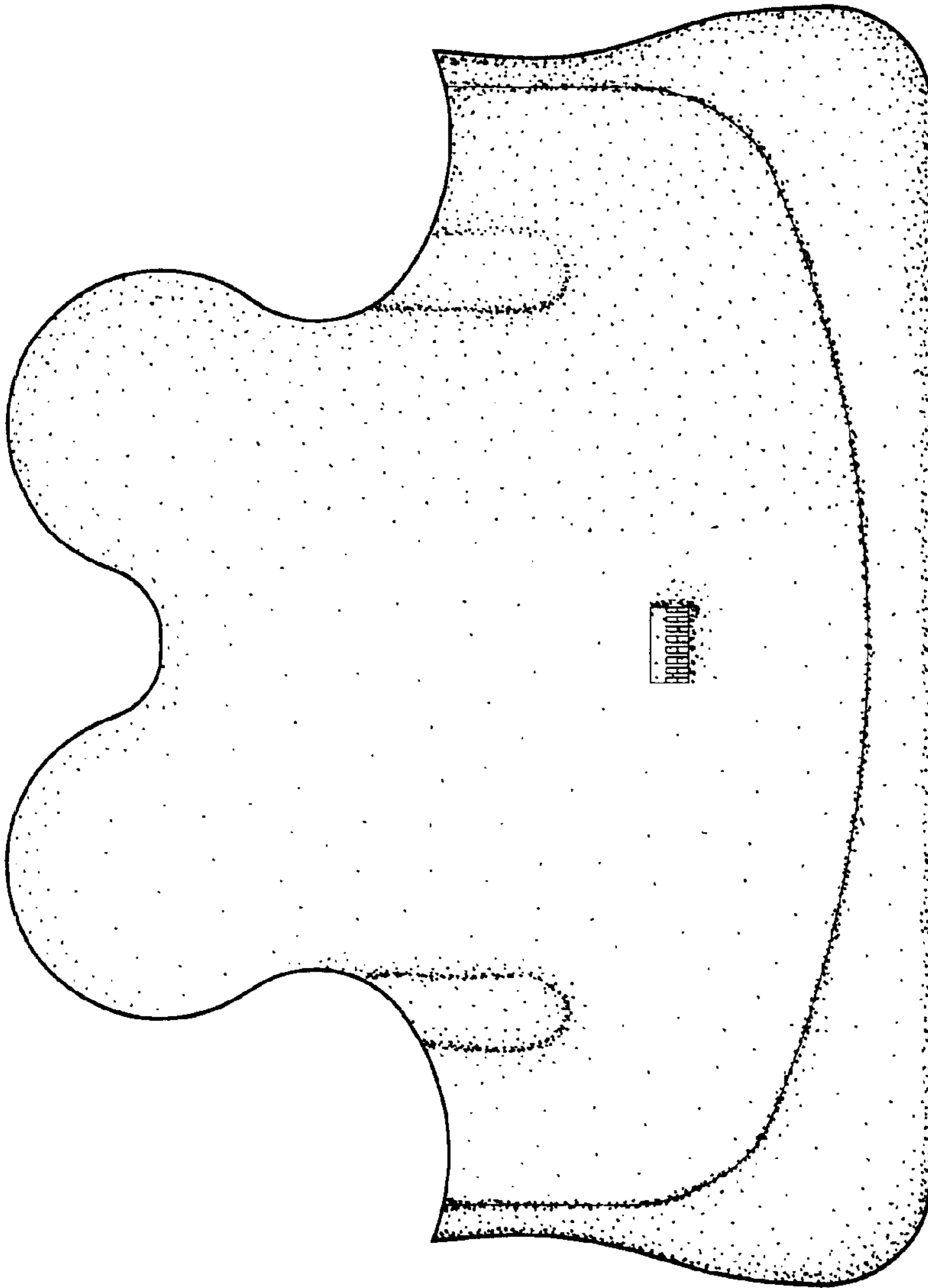


FIG. 4

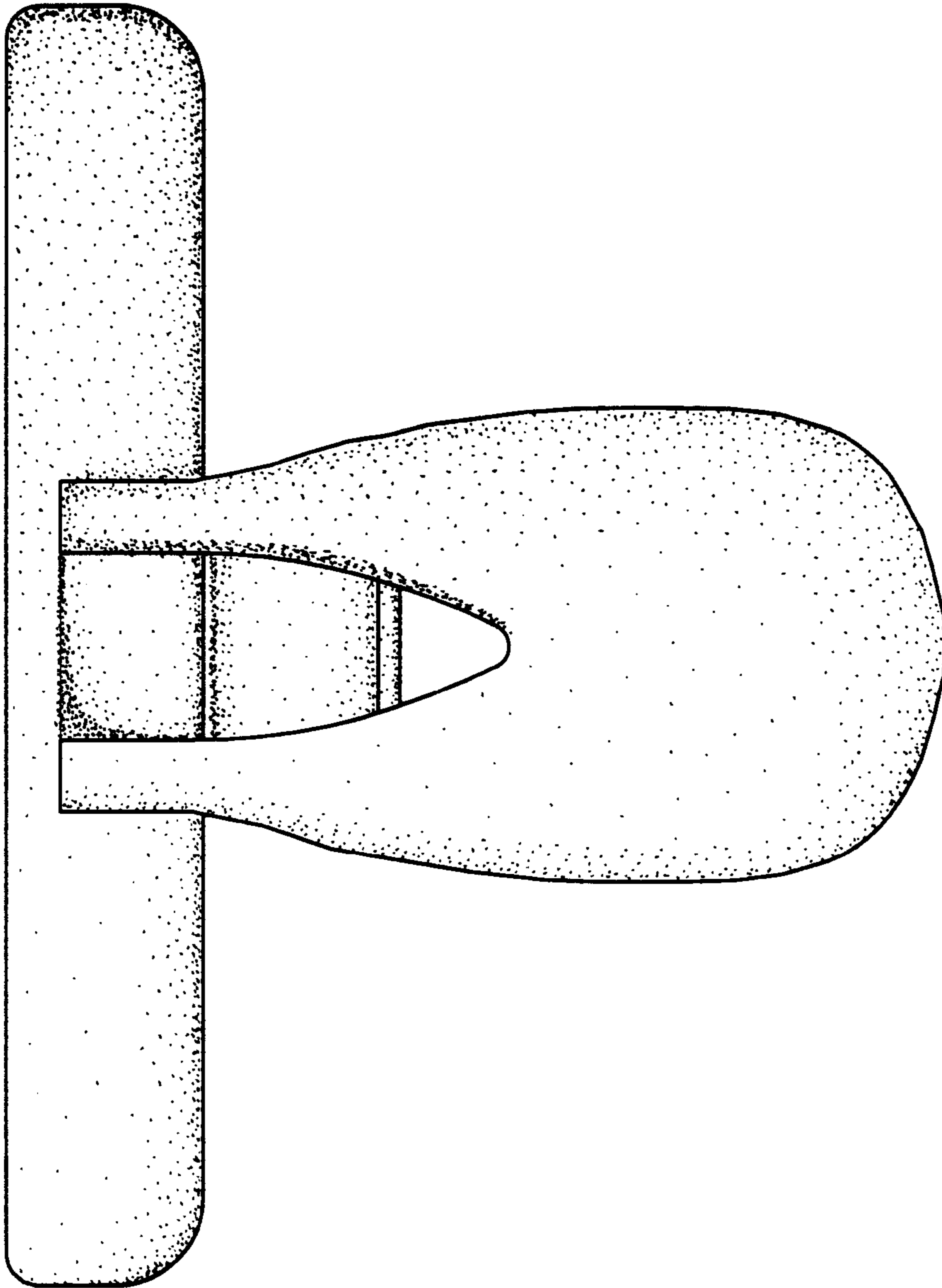


FIG. 5

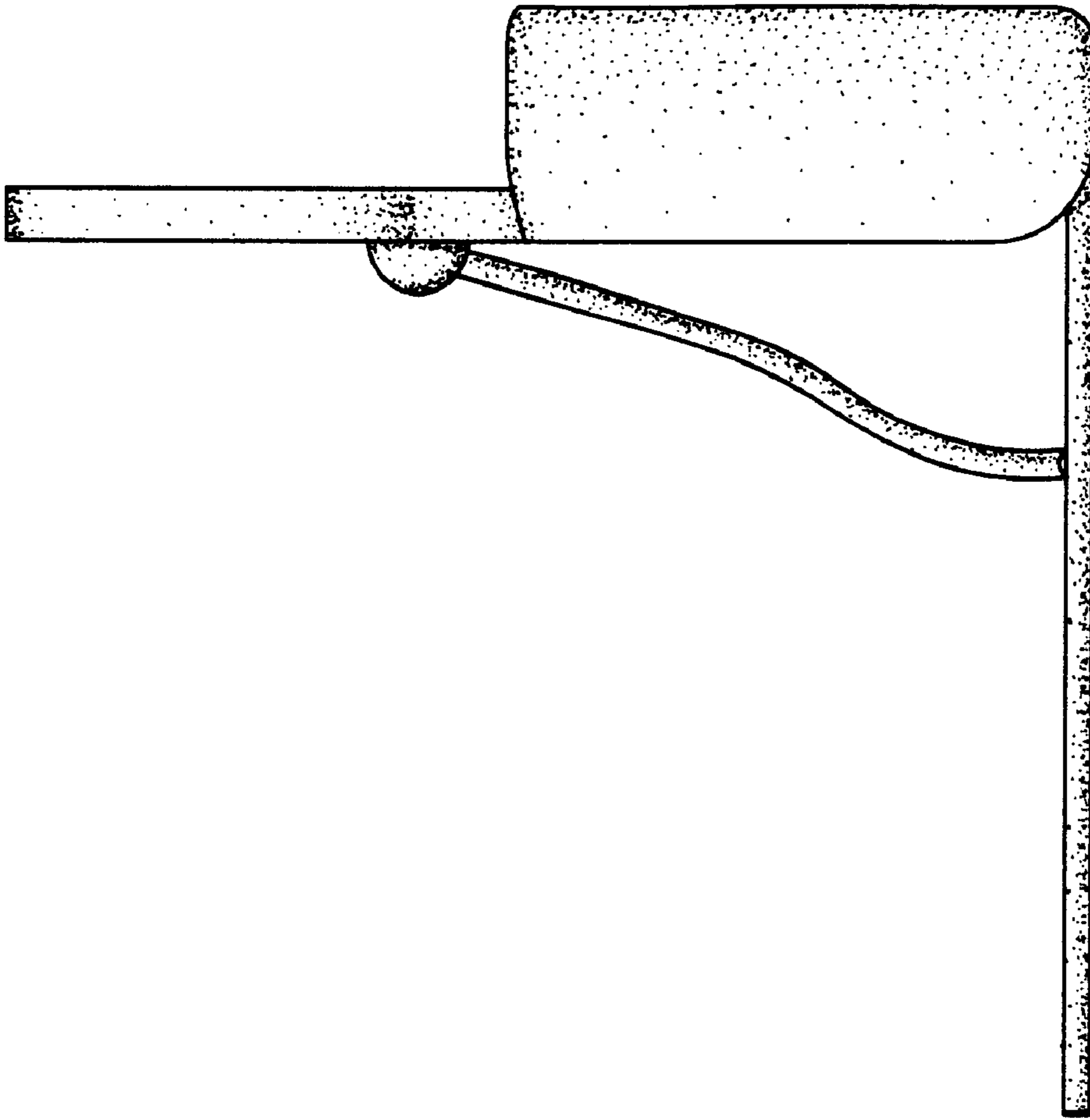


FIG. 6

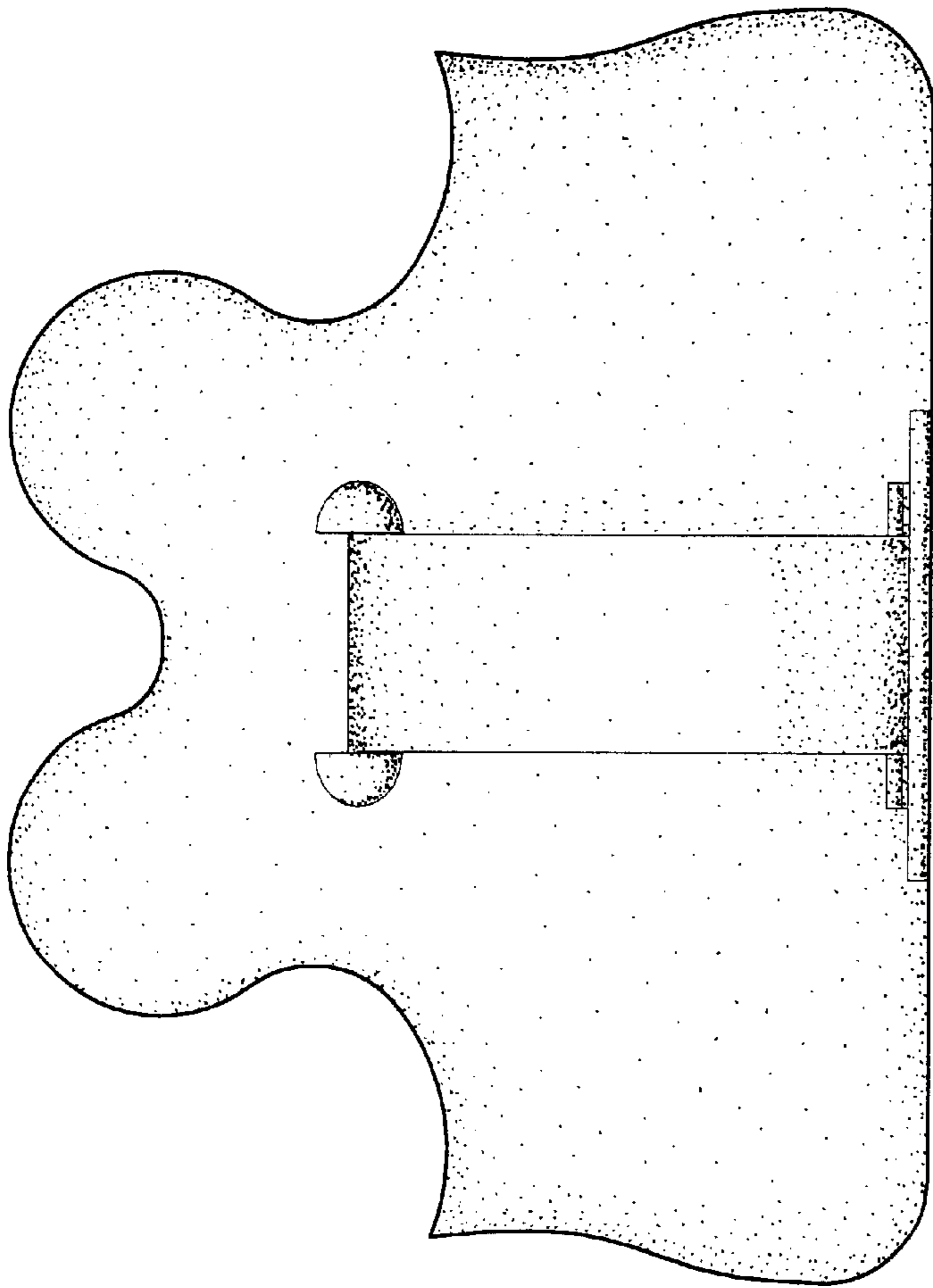


FIG. 7