



US00D469437S

(12) **United States Design Patent**
Hussaini et al.

(10) **Patent No.: US D469,437 S**

(45) **Date of Patent: ** Jan. 28, 2003**

(54) **GAME CONTROLLER**

(75) Inventors: **Saied Hussaini**, Miami, FL (US); **Marc Iacovelli**, Miami, FL (US)

(73) Assignee: **Intec, Inc.**, Miami, FL (US)

(**) Term: **14 Years**

(21) Appl. No.: **29/160,133**

(22) Filed: **May 7, 2002**

(51) **LOC (7) Cl.** **14-02**

(52) **U.S. Cl.** **D14/401**

(58) **Field of Search** D14/400, 401,
D14/412-416; D21/324, 333; 273/148 B;
463/1, 37, 38, 40-47; 345/156-161, 905

(56) **References Cited**

U.S. PATENT DOCUMENTS

- 5,046,739 A * 9/1991 Reichow 273/148 B
- D410,914 S * 6/1999 Tyler et al. D14/401
- D415,752 S * 10/1999 Tyler et al. D14/401
- 6,001,015 A * 12/1999 Nishiumi et al. 463/38
- D424,047 S * 5/2000 Chan D14/401
- 6,171,191 B1 * 1/2001 Ogata et al. 273/148 B

- 6,231,444 B1 * 5/2001 Goto et al. 273/148 B
- D453,932 S * 2/2002 Han et al. D14/401
- D459,727 S * 7/2002 Ashida D14/401

* cited by examiner

Primary Examiner—Prabhakar Deshmukh

(74) *Attorney, Agent, or Firm*—Liniak, Berenato & White

(57) **CLAIM**

The ornamental design for a game controller, as shown and described.

DESCRIPTION

FIG. 1 is a top View of the game controller according to the present invention.

FIG. 2 is a bottom view of the game controller of FIG. 1.

FIG. 3 is a right side view of the game controller of FIG. 1.

FIG. 4 is a left side view of the game controller of FIG. 1.

FIG. 5 is a front view of the game controller of FIG. 1.

FIG. 6 is a rear view of the game controller of FIG. 1; and,

FIG. 7 is a rear elevational perspective view of the game controller of FIG. 1.

The broken line showing of electric conduit is for illustrative purpose only and forms no part of the claimed design.

1 Claim, 4 Drawing Sheets

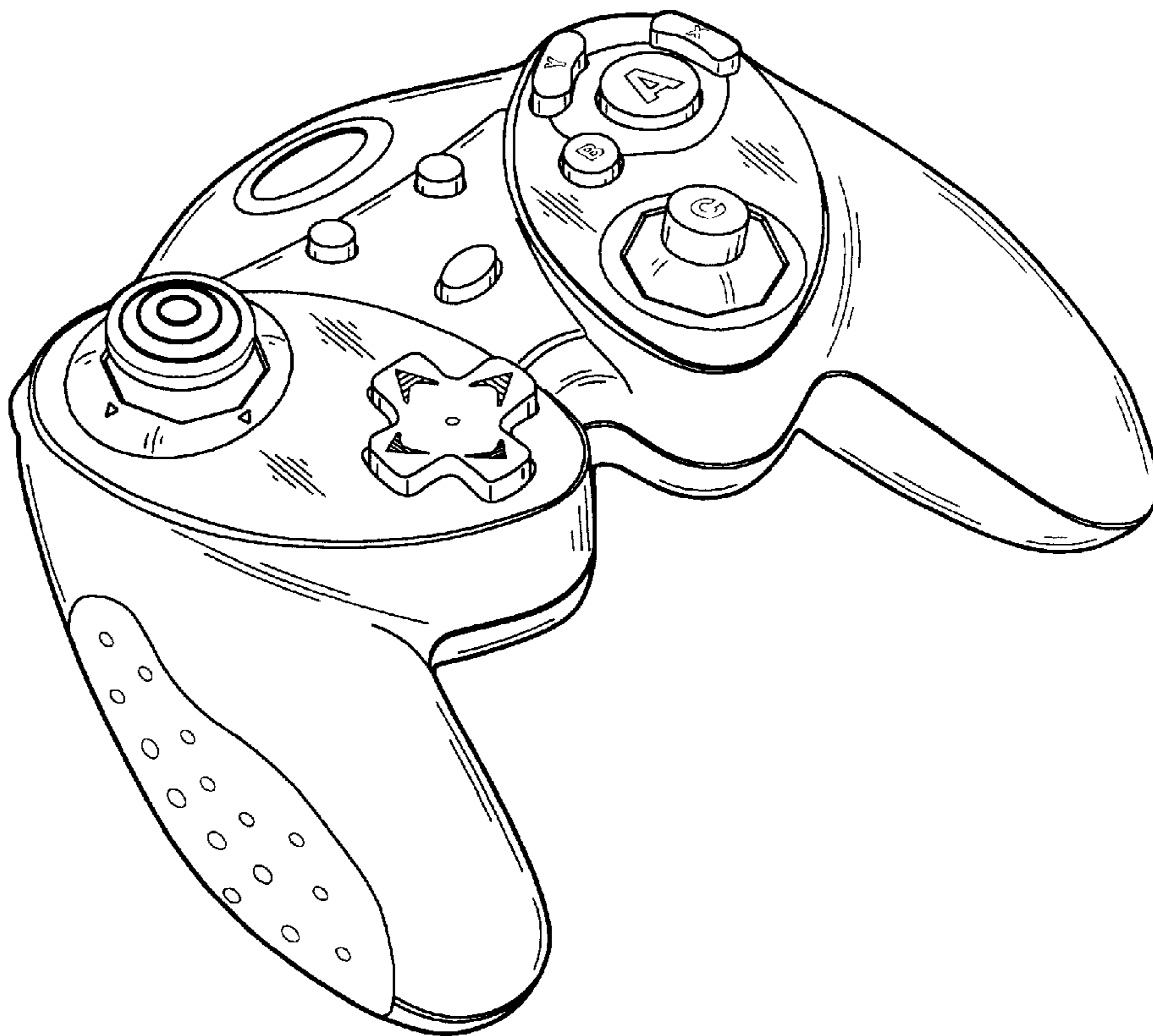


Fig. 1



Fig. 2

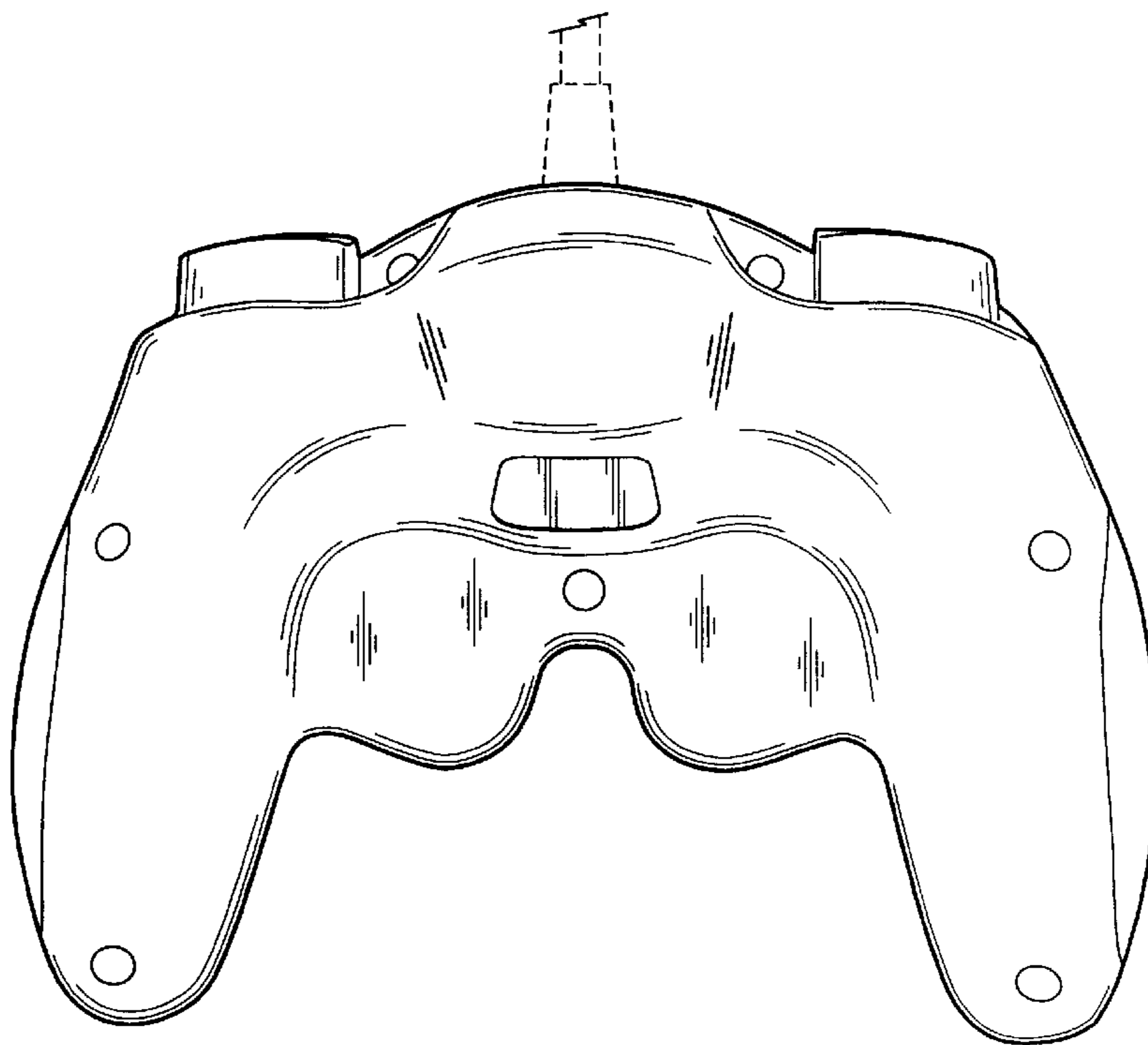


Fig. 3

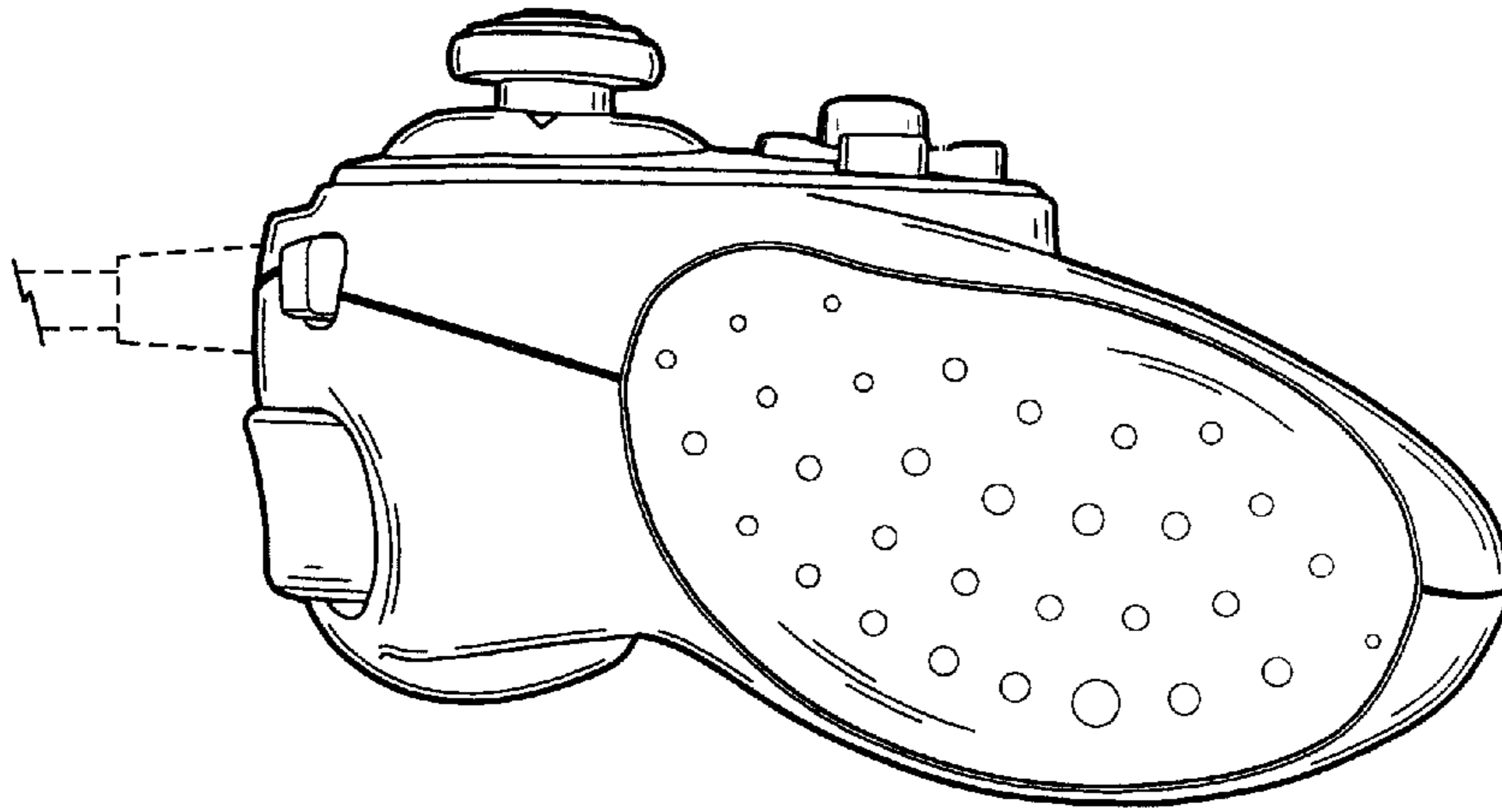


Fig. 4

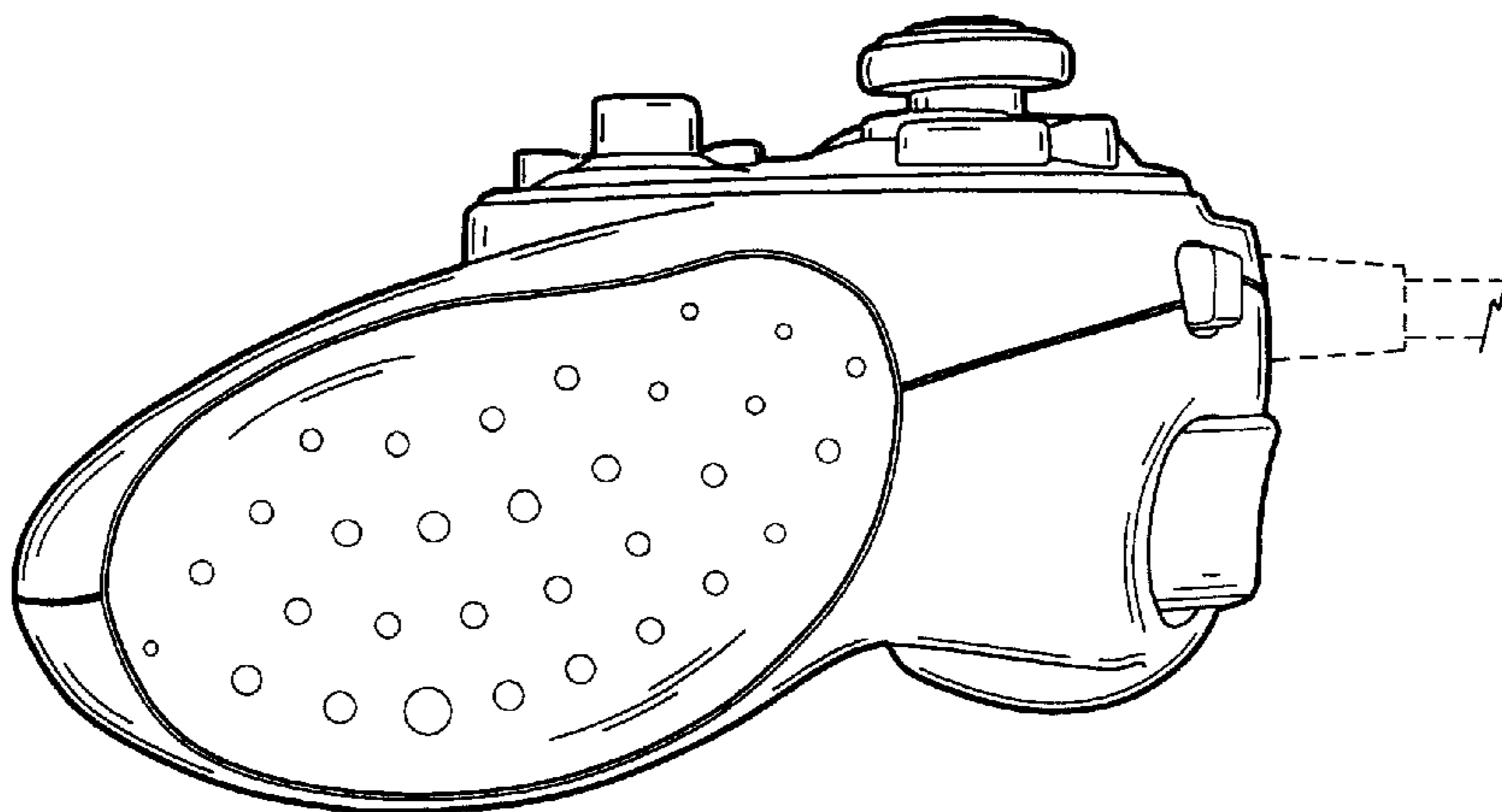


Fig. 5

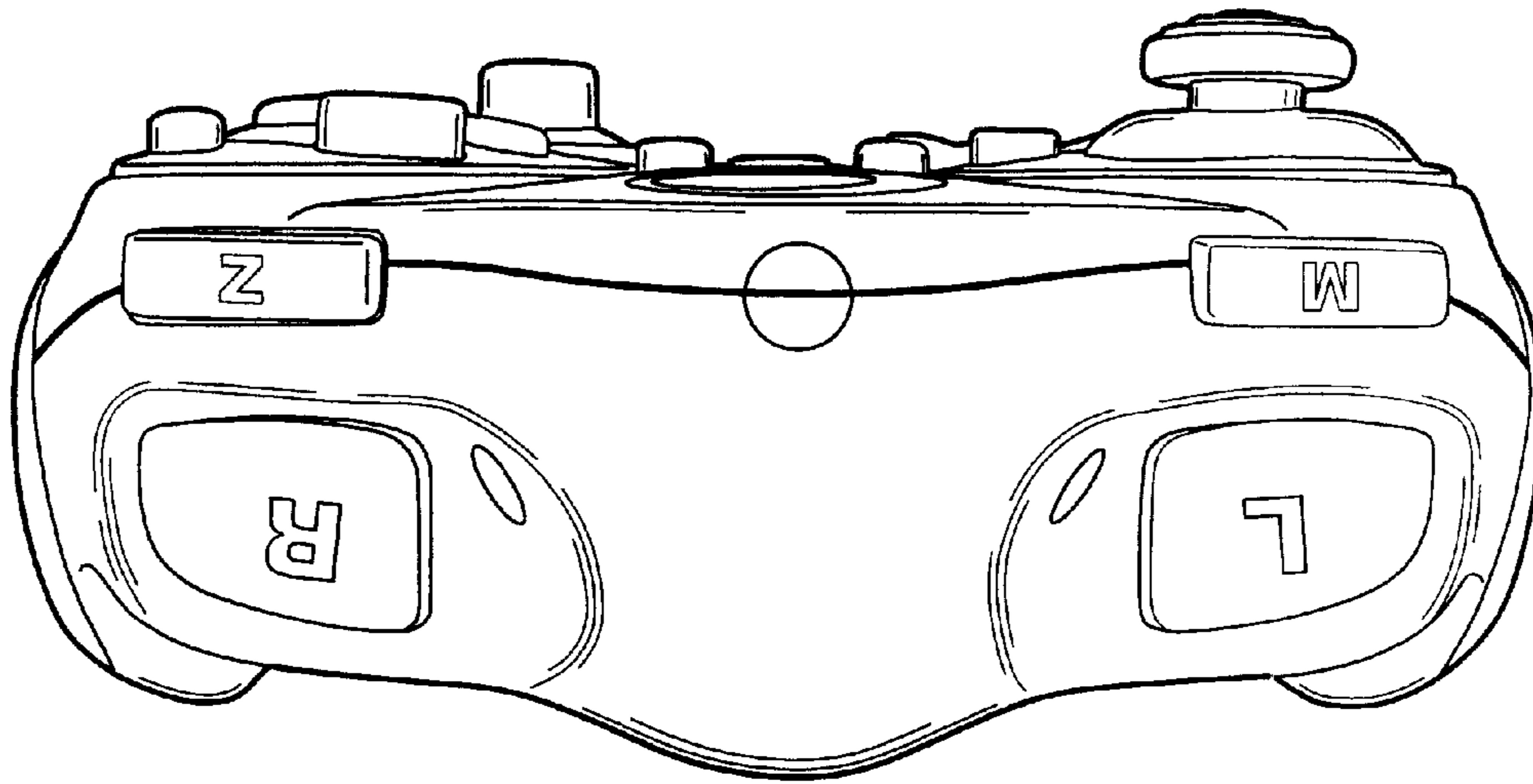


Fig. 6

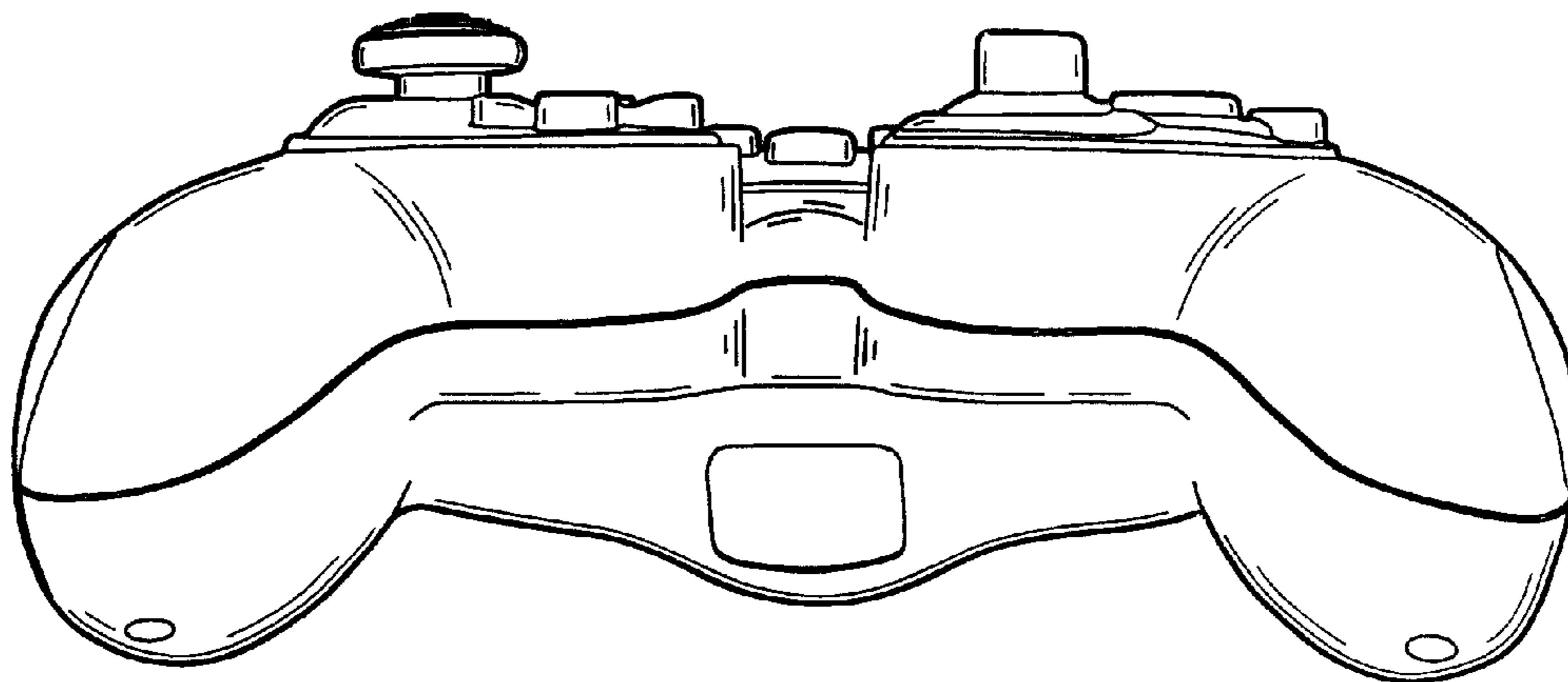


Fig. 7

