



US00D469433S

(12) **United States Design Patent**
Liao

(10) **Patent No.:** **US D469,433 S**

(45) **Date of Patent:** **** Jan. 28, 2003**

(54) **LIQUID CRYSTAL DISPLAY**

(75) **Inventor:** **James Liao, Taipei Hsien (TW)**

(73) **Assignee:** **HannStar Display Corp., Tao-Yuan (TW)**

(**) **Term:** **14 Years**

(21) **Appl. No.:** **29/162,116**

(22) **Filed:** **Jun. 10, 2002**

(51) **LOC (7) Cl. 14-02**

(52) **U.S. Cl. D14/375**

(58) **Field of Search D14/125-130, D14/374-376, 371; 341/12; 345/104, 156, 168, 173, 87; 348/180, 184, 325, 739; 349/1, 2, 11, 62; 248/918-924; 40/594**

(56) **References Cited**

U.S. PATENT DOCUMENTS

D323,324 S * 1/1992 Suda D14/125

D448,031 S * 9/2001 Goetz D14/374

D453,333 S * 2/2002 Chen D14/374

D454,565 S * 3/2002 Harriman D14/374

* cited by examiner

Primary Examiner—Freda Nunn

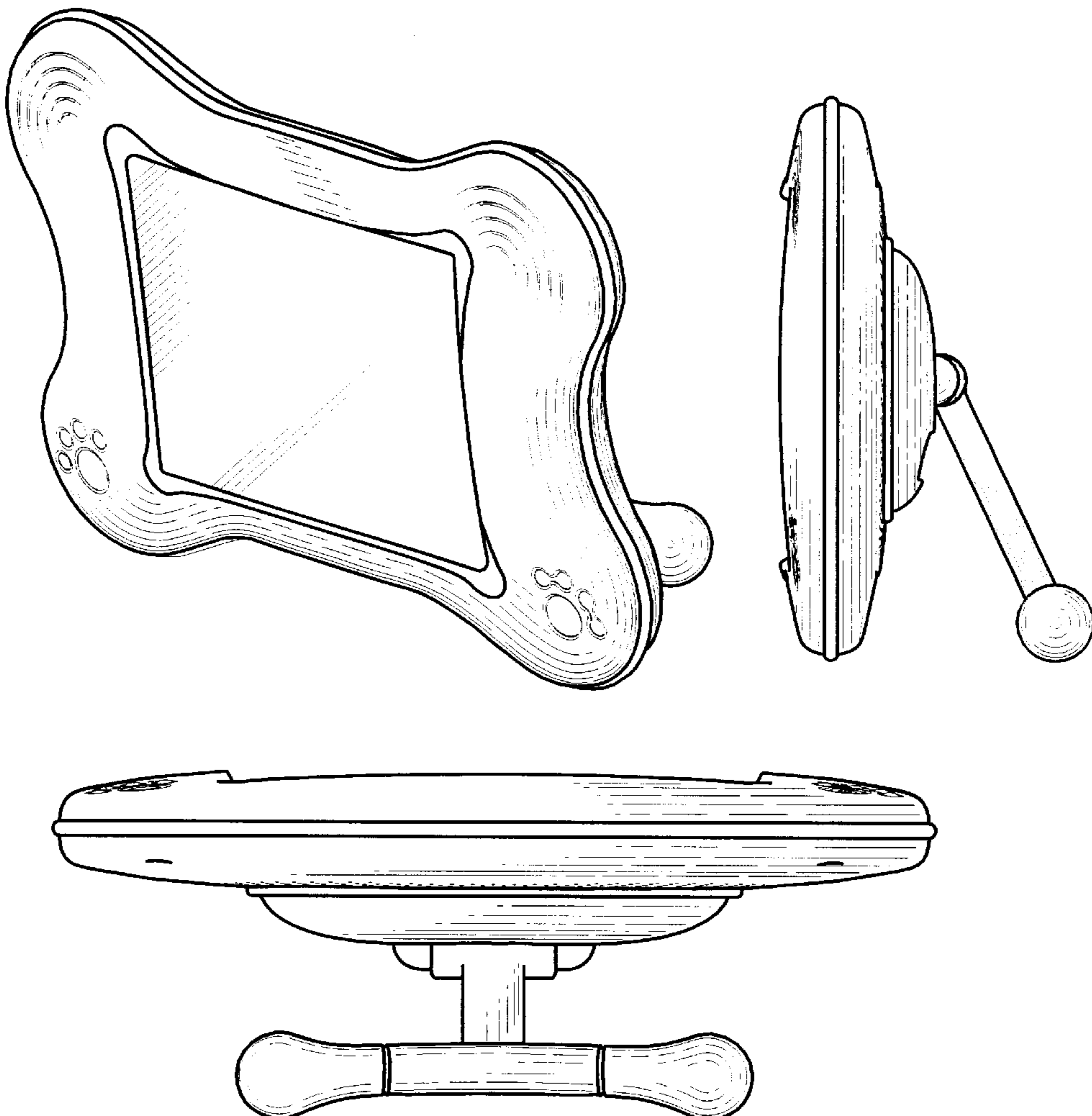
(57) **CLAIM**

The ornamental design for a liquid crystal display, as shown and described.

DESCRIPTION

FIG. 1 is a front perspective view thereof;
FIG. 2 is a right side elevational view thereof;
FIG. 3 is a top plane view thereof;
FIG. 4 is a front elevational view thereof;
FIG. 5 is a bottom plane view thereof;
FIG. 6 is a left side elevational view thereof; and,
FIG. 7 is a rear elevational view thereof.

1 Claim, 7 Drawing Sheets



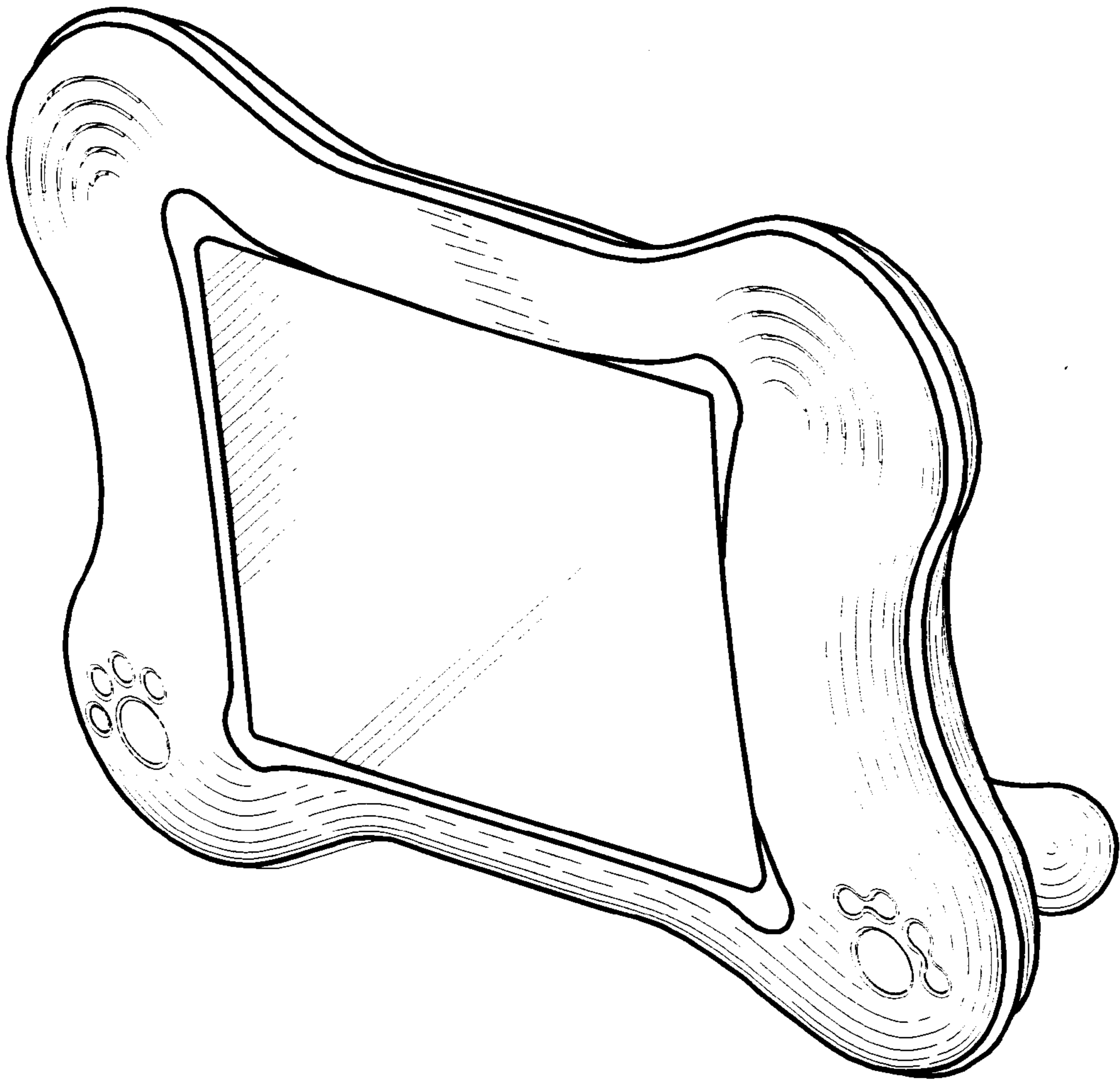


Fig. 1

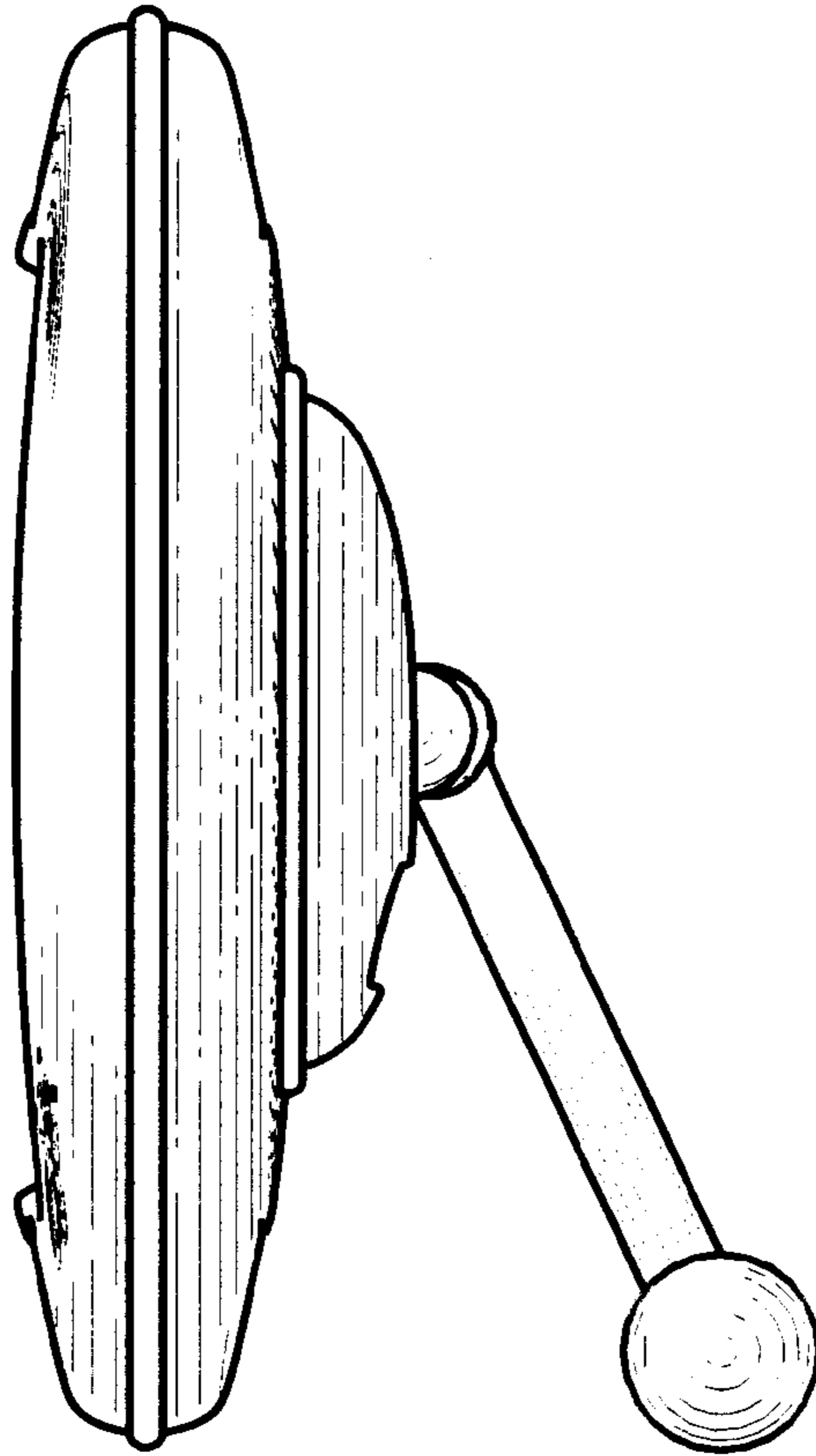


Fig.2

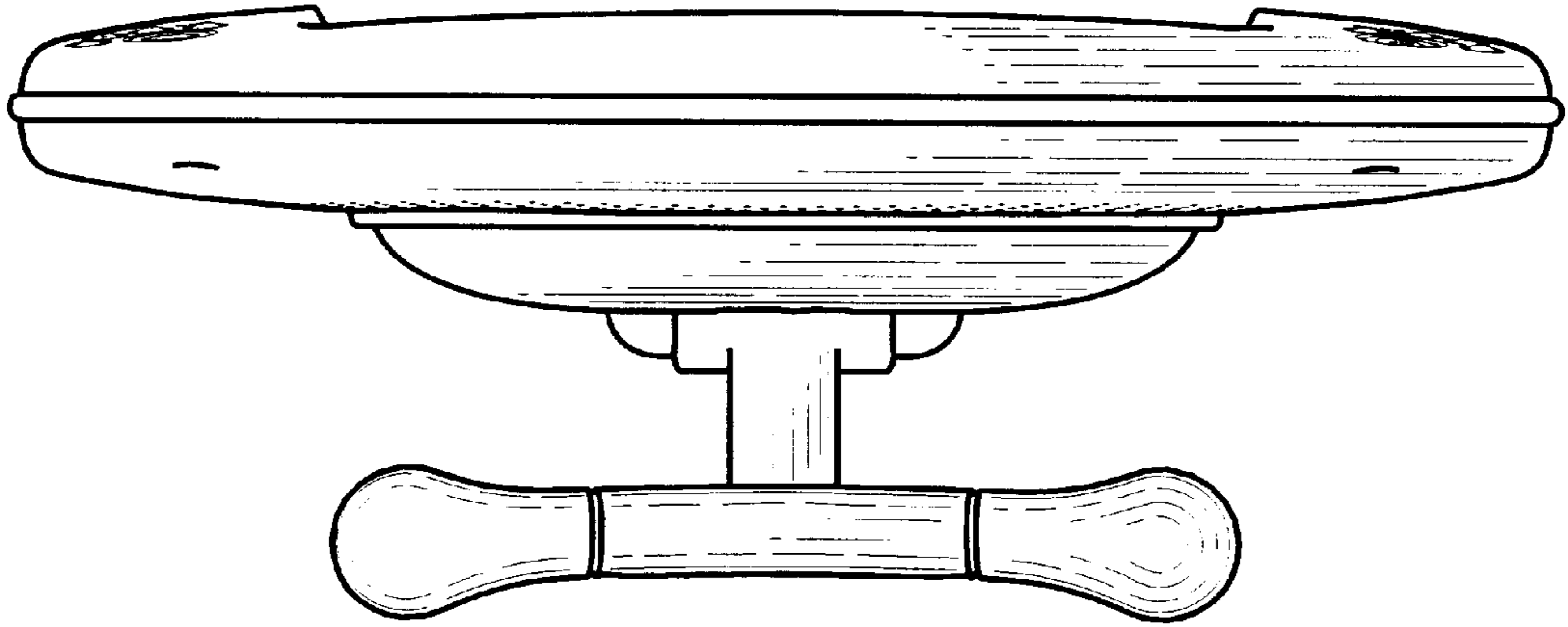


Fig. 3

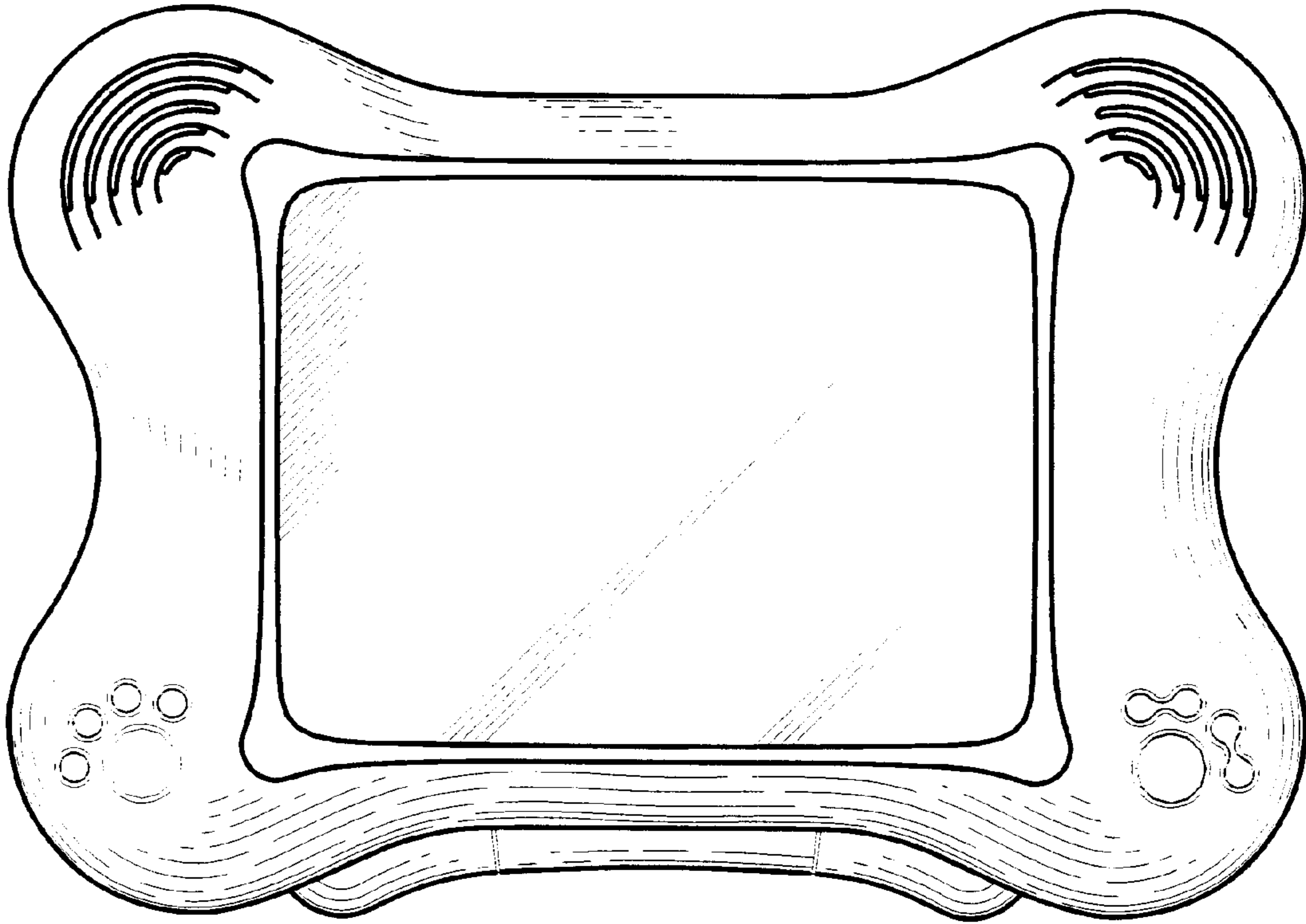


Fig. 4

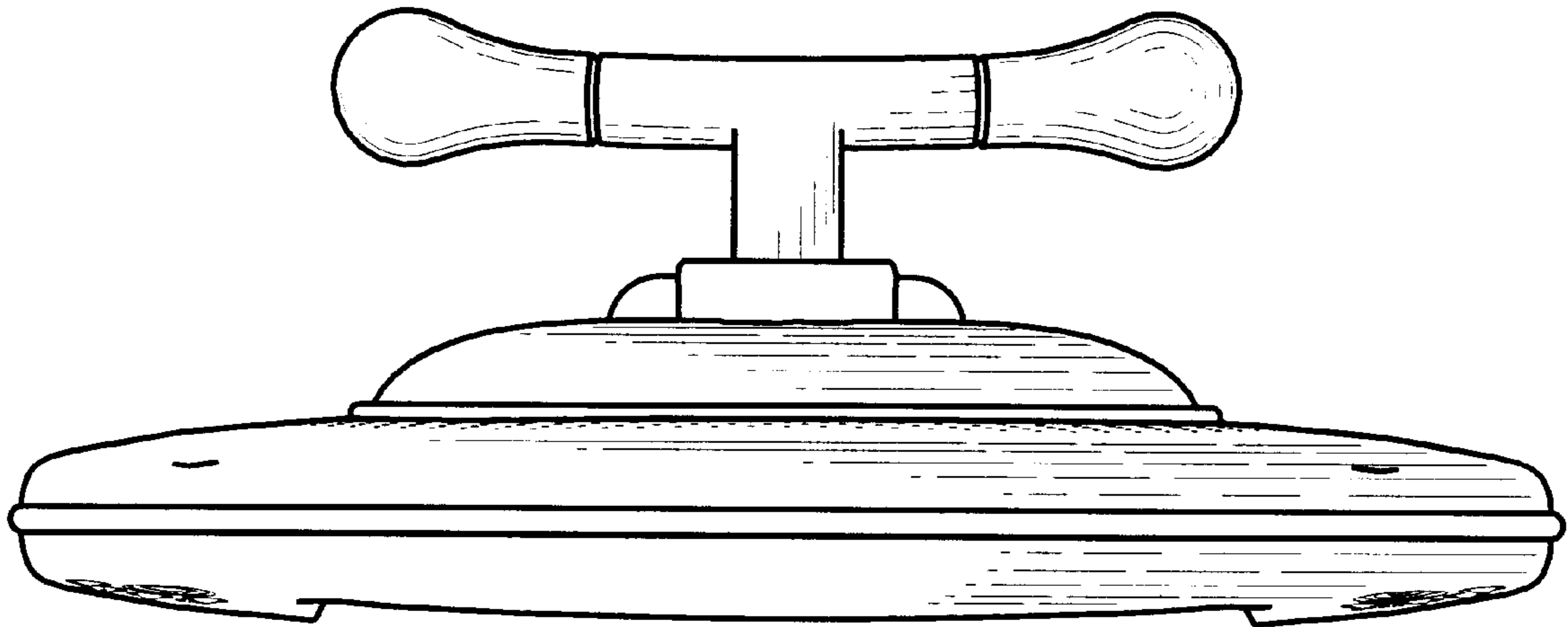


Fig. 5

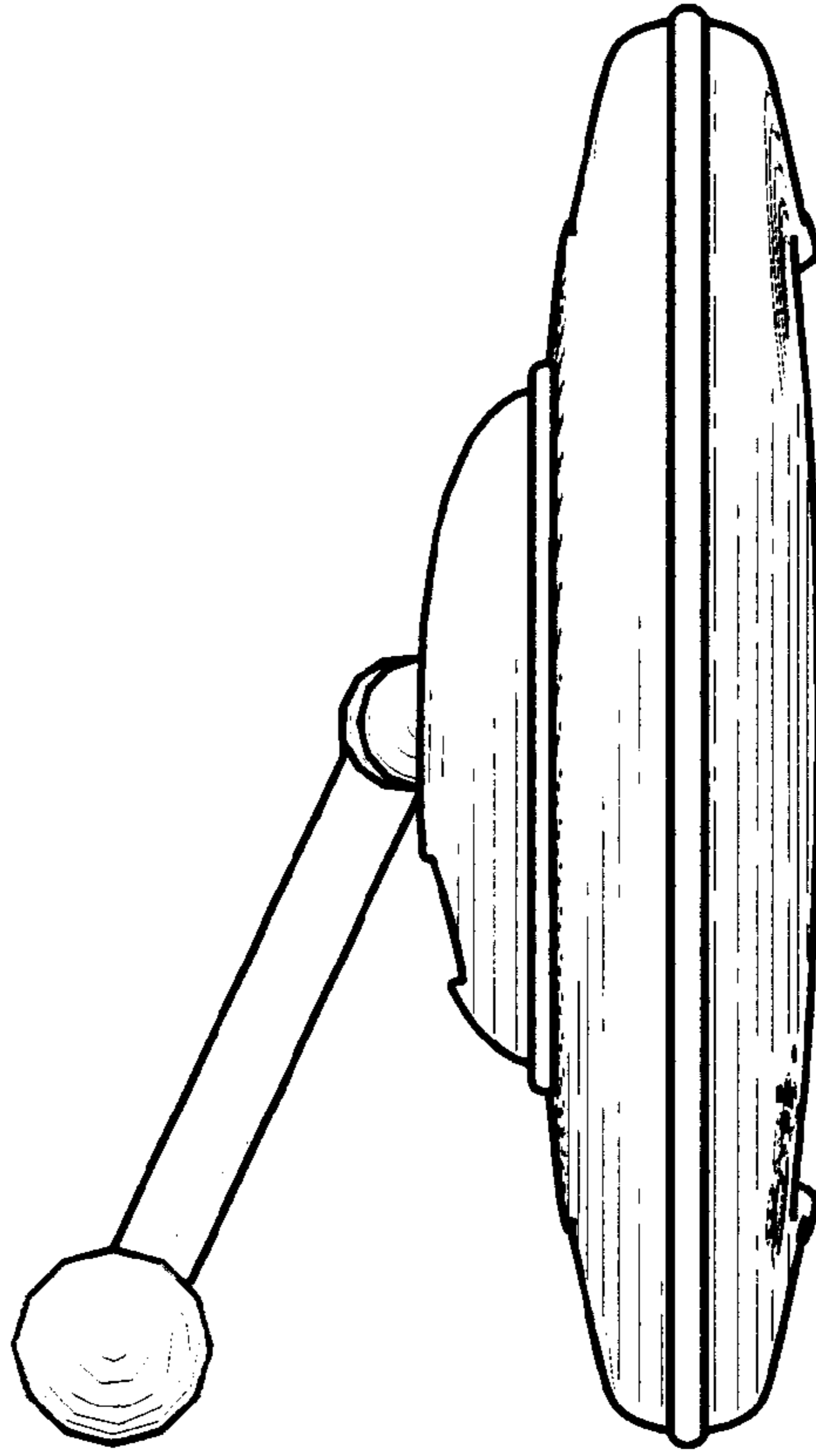


Fig. 6

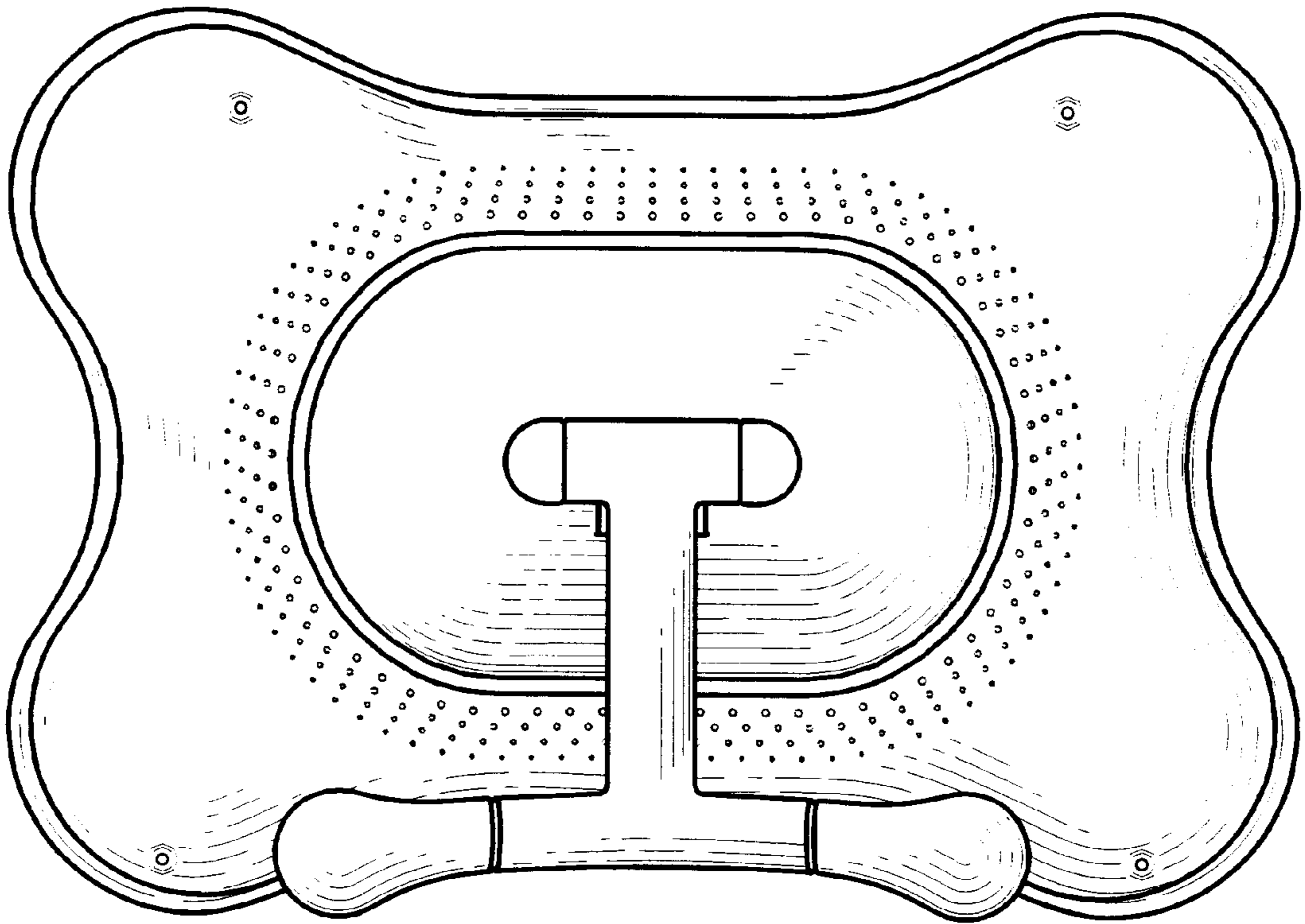


Fig. 7