



US00D469432S

(12) **United States Design Patent**  
**Tsuji**

(10) **Patent No.:**

**US D469,432 S**

(45) **Date of Patent:**

**\*\* Jan. 28, 2003**

(54) **MONITOR FOR A COMPUTER**

D453,022 S \* 1/2002 Oba ..... D14/374

(75) Inventor: **Kensho Tsuji**, Nara-ken (JP)

**OTHER PUBLICATIONS**

(73) Assignee: **Sharp Kabushiki Kaisha**, Osaka (JP)

U.S. Design patent application Ser. No. 29/150,247, filed Nov. 16, 2001 in the name of Tsuji.

(\*\*) Term: **14 Years**

U.S. Design patent application Ser. No. 29/157,172, filed Mar. 15, 2002.

(21) Appl. No.: **29/160,681**

\* cited by examiner

(22) Filed: **May 16, 2002**

*Primary Examiner*—Freda Nunn

(30) **Foreign Application Priority Data**

(74) *Attorney, Agent, or Firm*—Nixon & Vanderhye

Nov. 16, 2001 (JP) ..... 2001-033591

(57) **CLAIM**

(51) **LOC (7) Cl.** ..... **14-02**

The ornamental design for a “monitor for a computer”, as shown and described.

(52) **U.S. Cl.** ..... **D14/375**

(58) **Field of Search** ..... D14/125–130,  
D14/371, 374–376; 341/12; 345/104, 156,  
168, 173, 87; 348/180, 184, 325, 739; 349/1,  
2, 11, 62; 248/918–924

**DESCRIPTION**

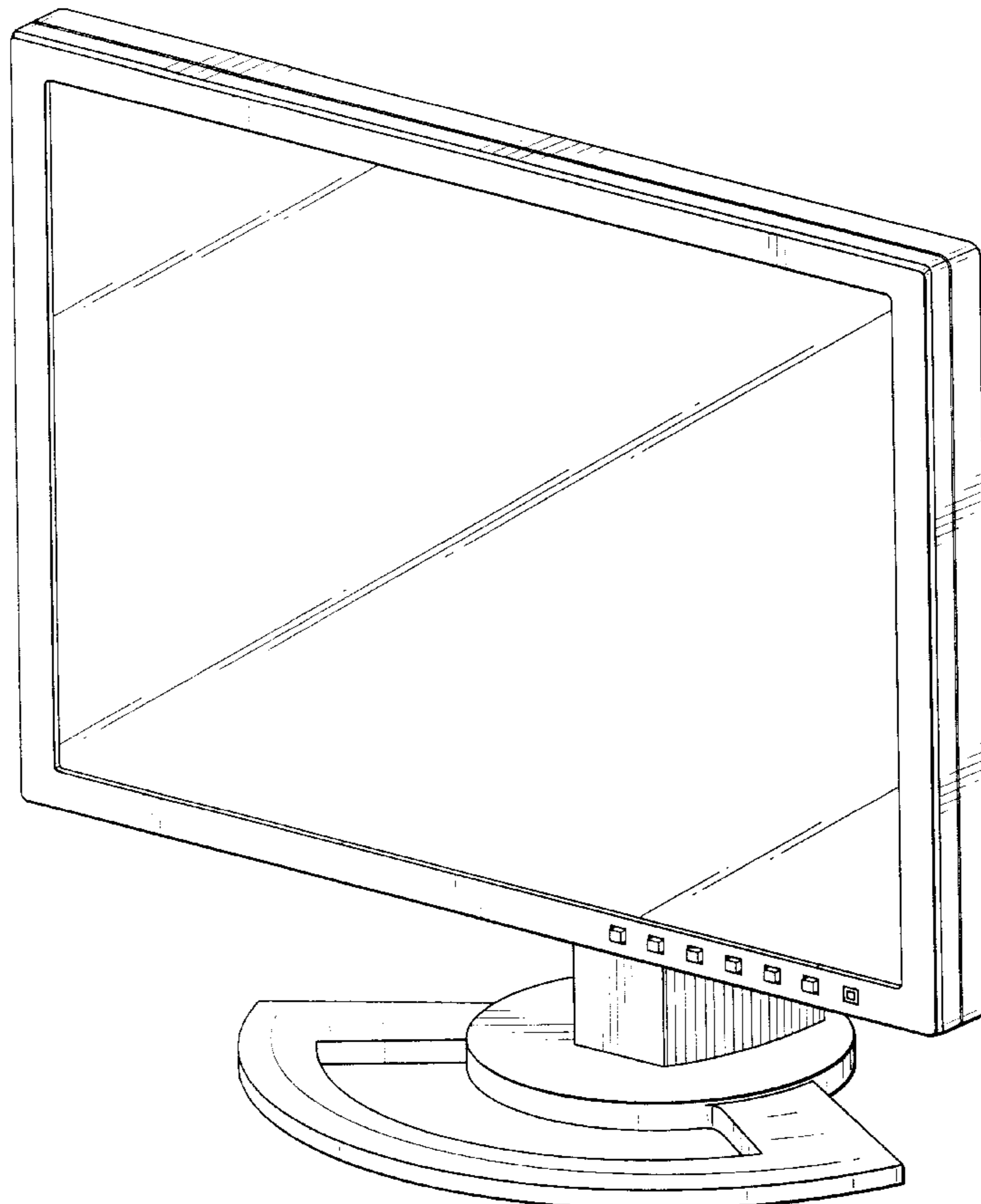
(56) **References Cited**

FIG. 1 is a top, front and right side perspective view of a monitor for a computer according to my design;  
FIG. 2 is a front elevational view thereof;  
FIG. 3 is a rear elevational view thereof;  
FIG. 4 is a top plan view thereof;  
FIG. 5 is a bottom plan view thereof;  
FIG. 6 is a left side elevational view thereof; and,  
FIG. 7 is a right side elevational view thereof.

**U.S. PATENT DOCUMENTS**

- D394,048 S \* 5/1998 Lee ..... D14/375
- D416,549 S \* 11/1999 Coster et al. .... D14/375
- D417,659 S \* 12/1999 Takemasa ..... D14/374
- D446,519 S \* 8/2001 Wu ..... D14/375
- D452,500 S \* 12/2001 Wu ..... D14/375

**1 Claim, 7 Drawing Sheets**



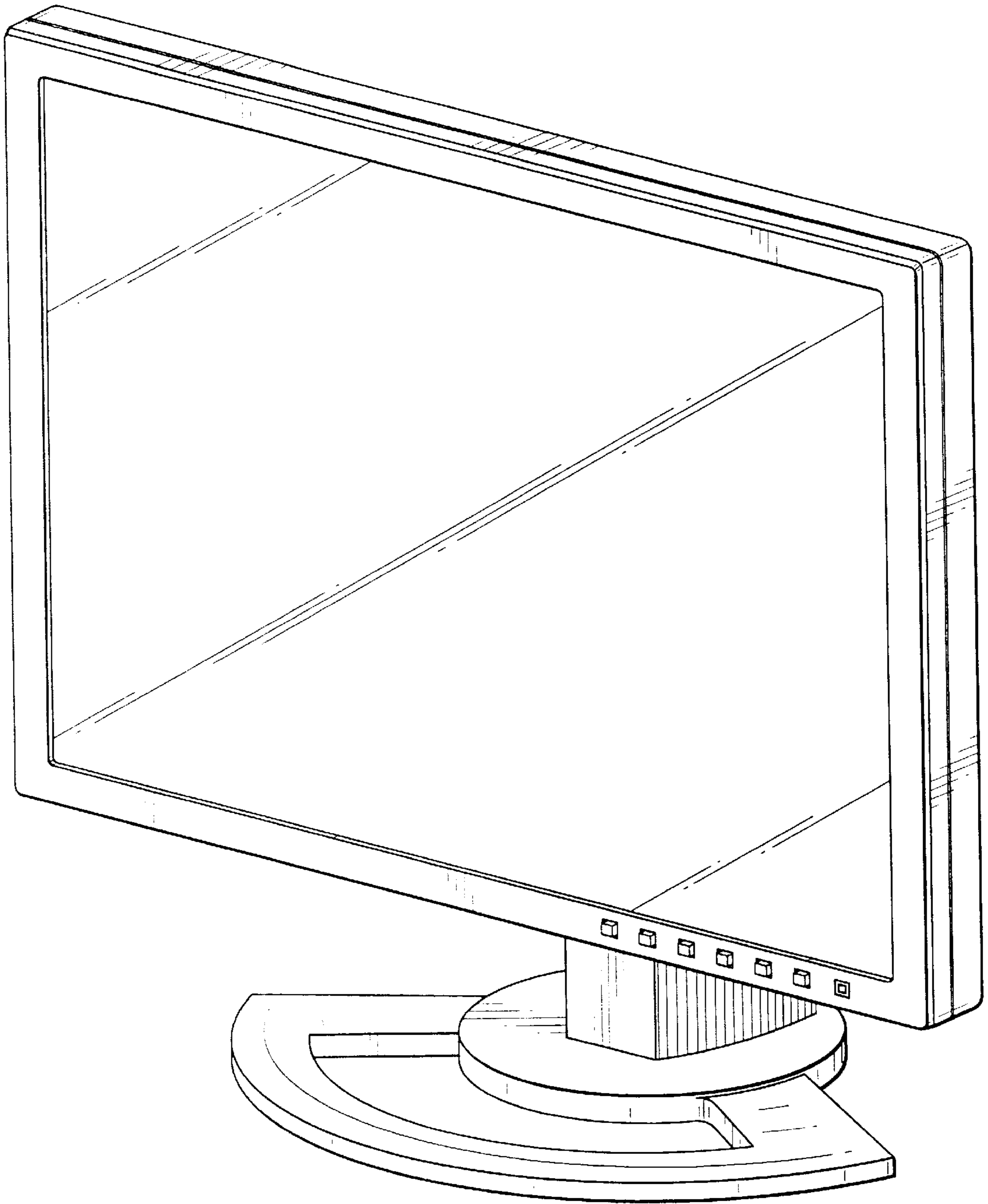


Fig. 1

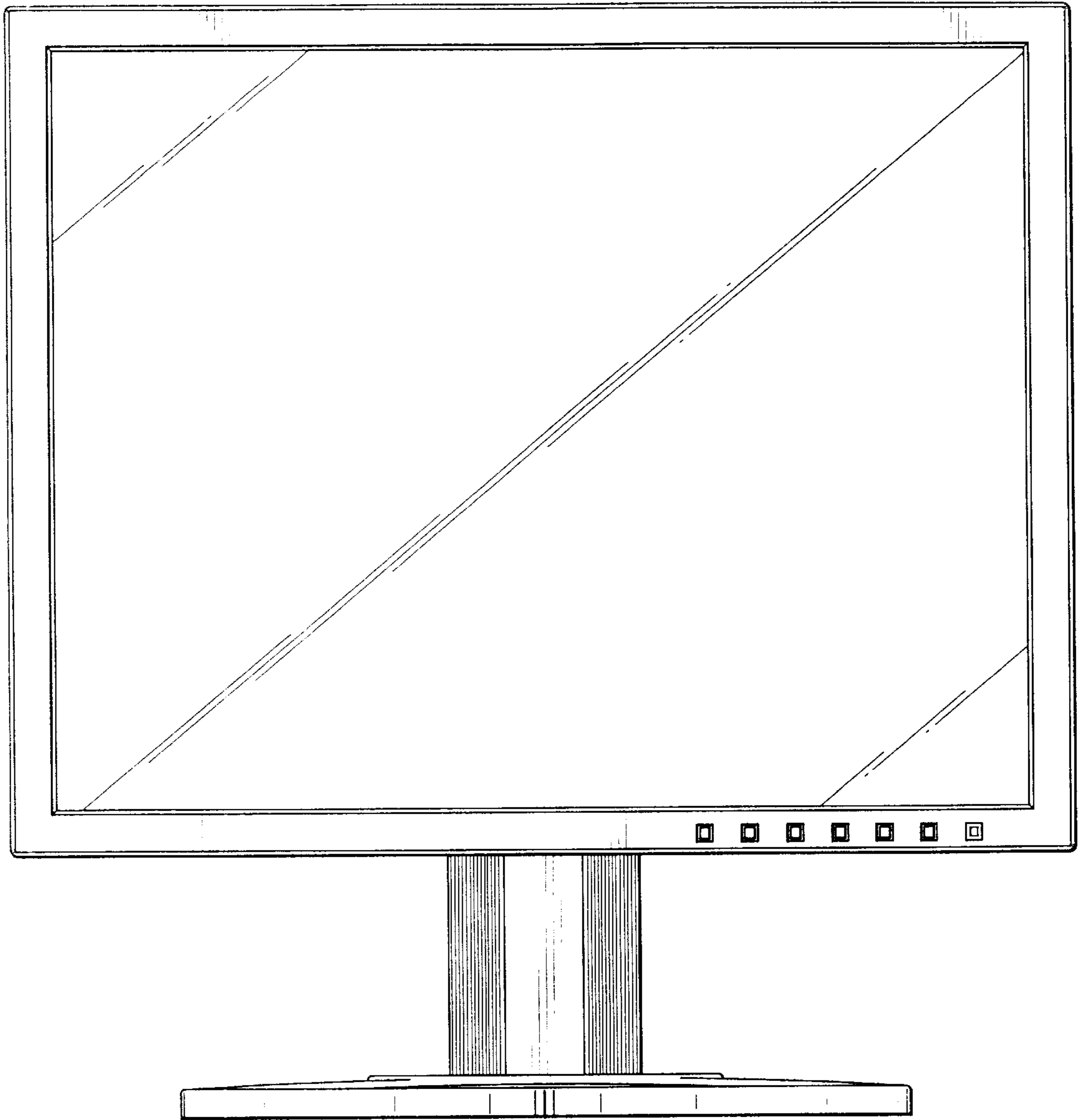


Fig. 2

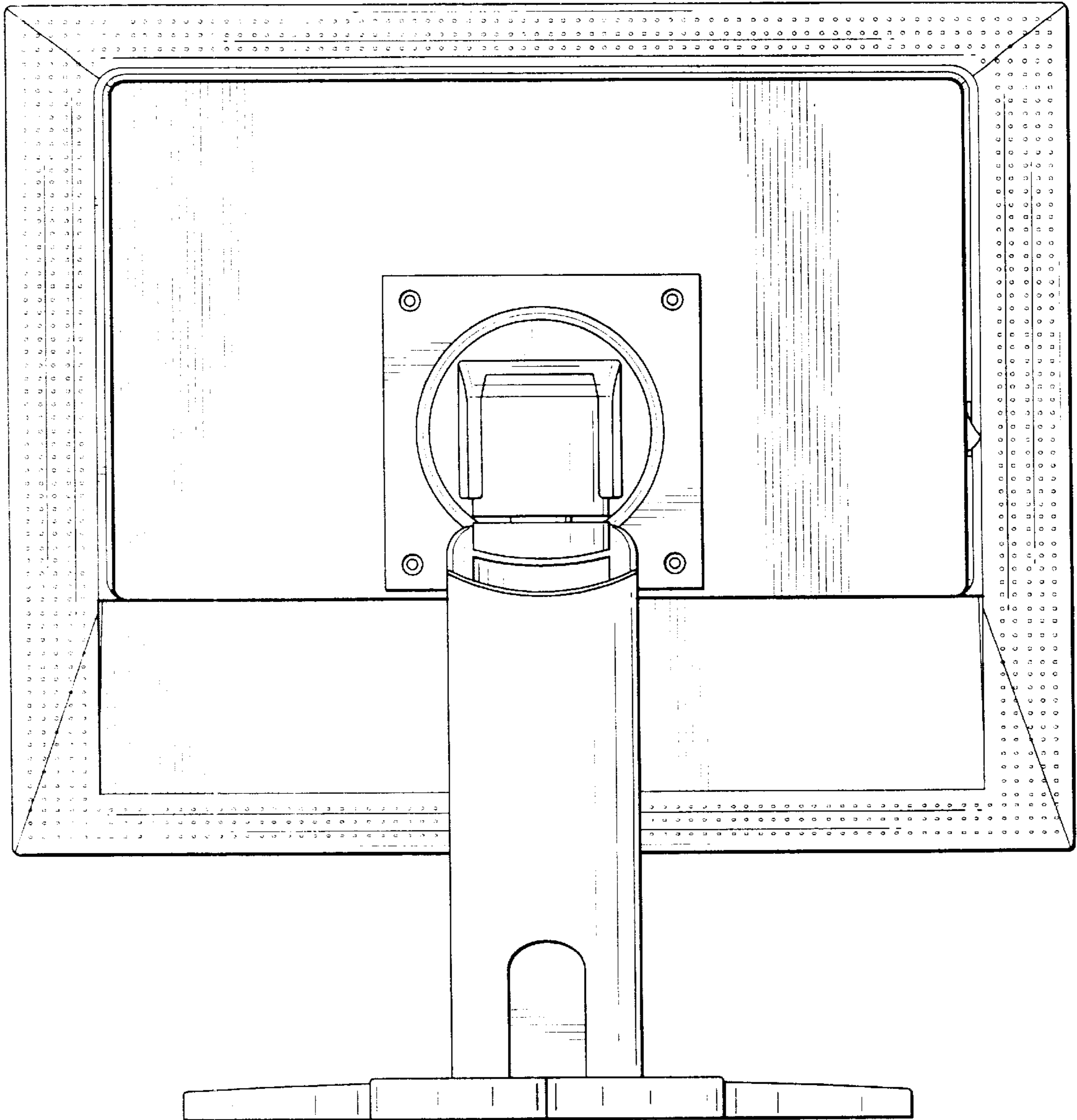


Fig. 3

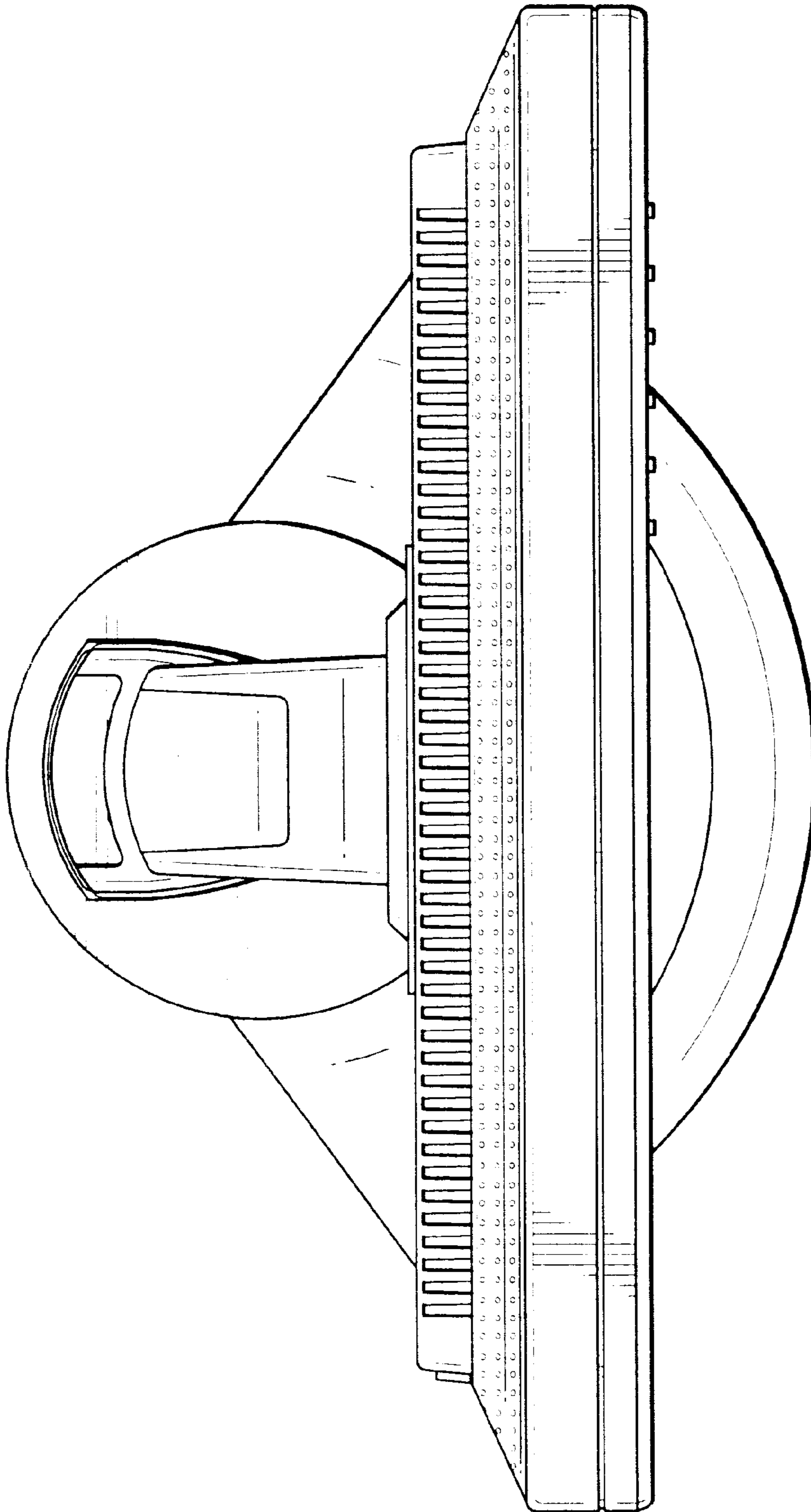


Fig. 4

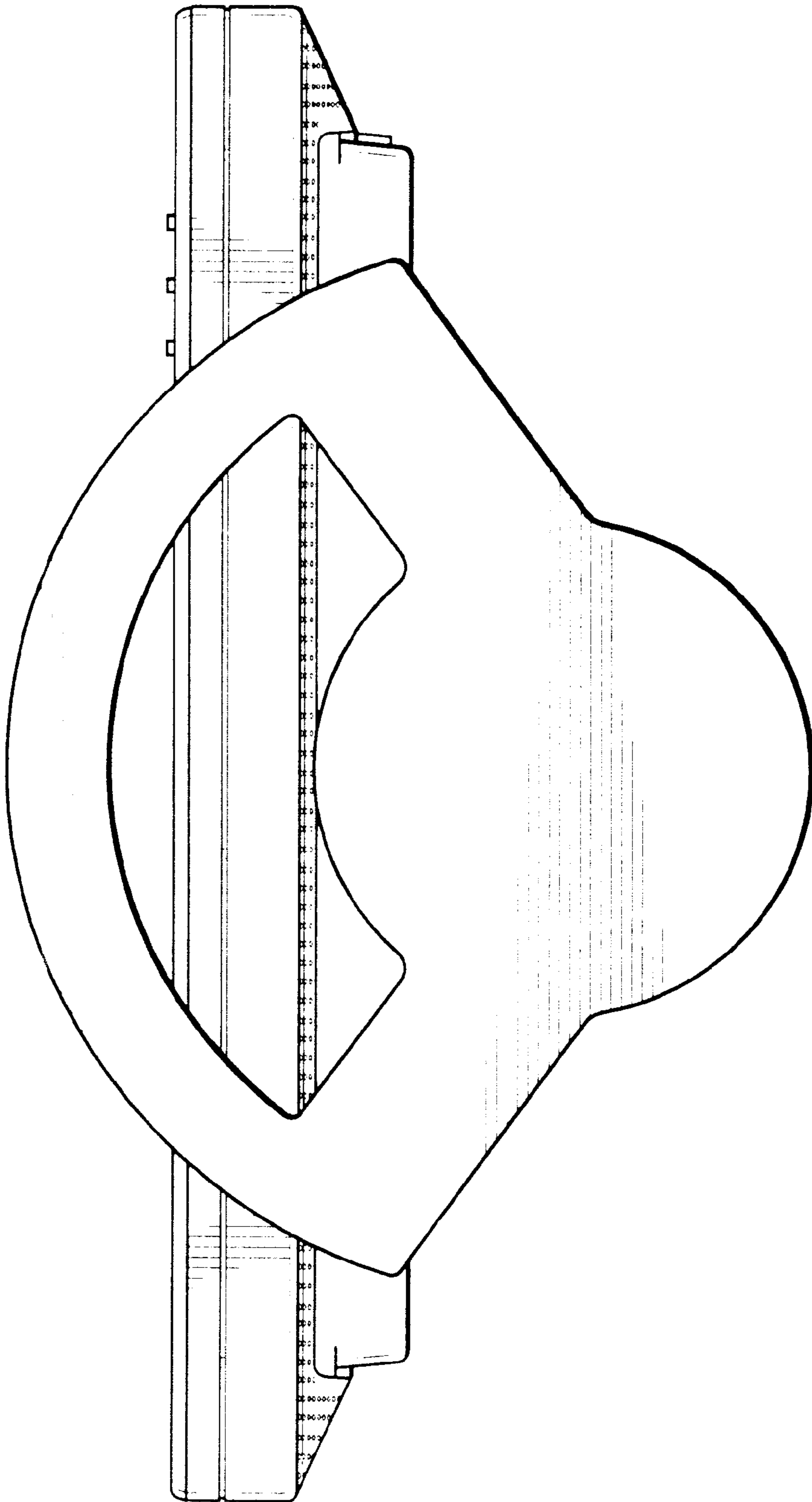


Fig. 5

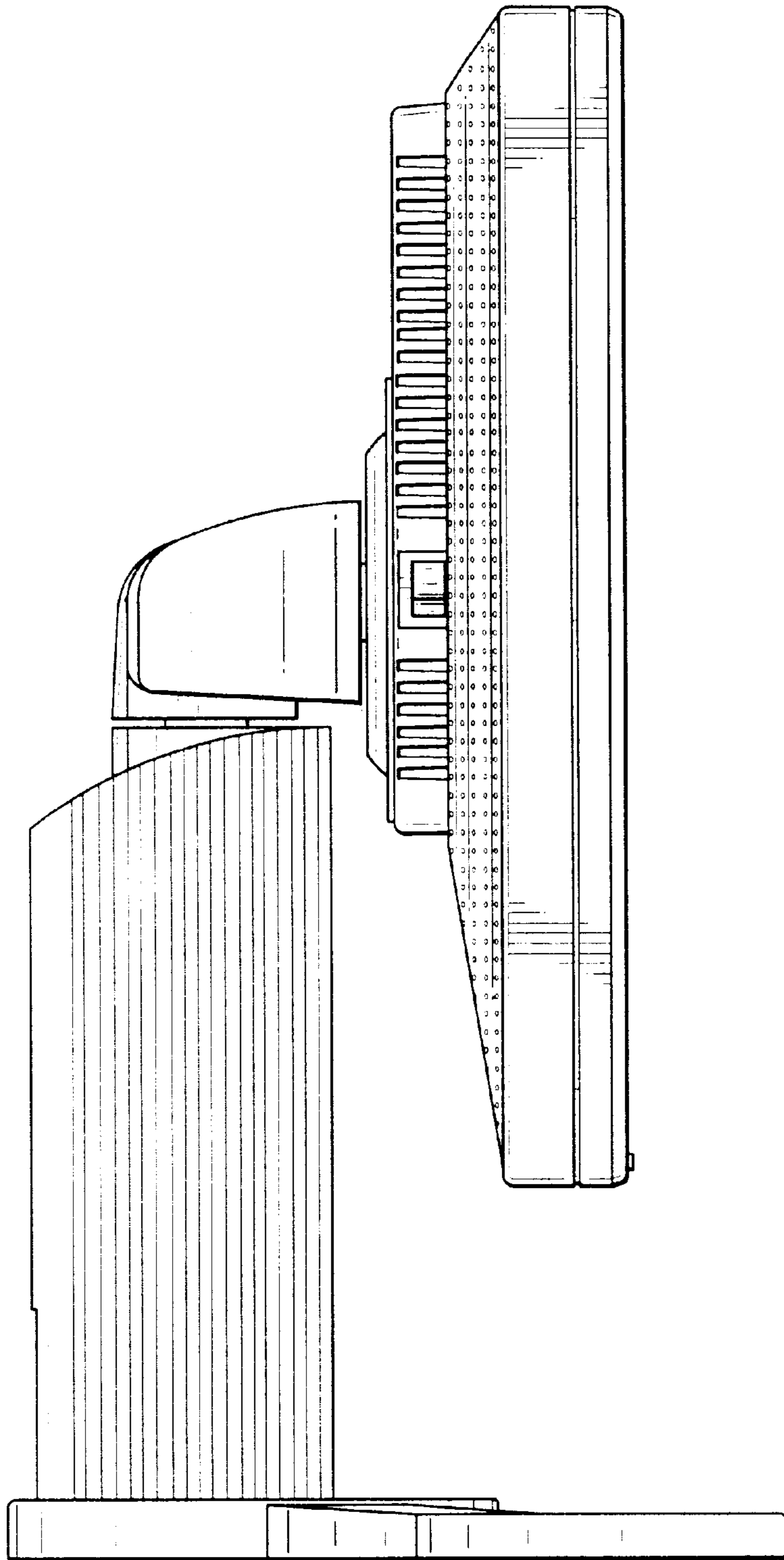


Fig. 6

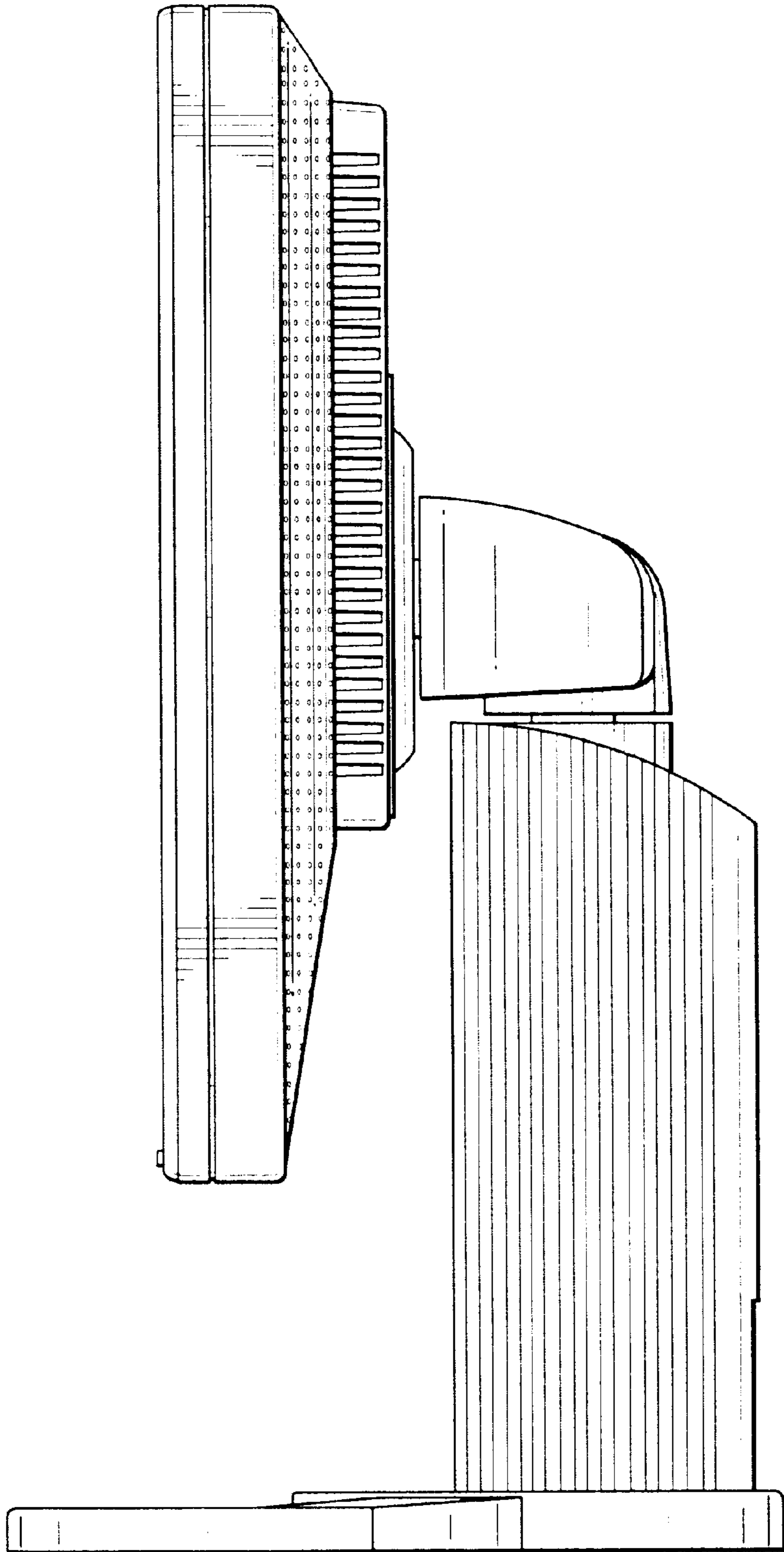


Fig. 7