



US00D469426S

(12) **United States Design Patent**
Hyde et al.

(10) **Patent No.:** **US D469,426 S**

(45) **Date of Patent:** **** Jan. 28, 2003**

(54) **MICROPHONE**

D389,153 S 1/1998 Litzau
D393,643 S * 4/1998 Chiang D14/227

(75) Inventors: **Jerry L. Hyde**, Houston, TX (US); **Hui Nan Lin**, Kaohsiung (TW)

* cited by examiner

(73) Assignee: **Beacon Design & Graphics, Inc.**,
Houston, TX (US)

Primary Examiner—Paula A. Mortimer

(74) *Attorney, Agent, or Firm*—Bracewell & Patterson LLP

(**) Term: **14 Years**

(57) **CLAIM**

The ornamental design for a microphone, as shown and described.

(21) Appl. No.: **29/153,846**

(22) Filed: **Oct. 26, 2001**

DESCRIPTION

(51) **LOC (7) Cl.** **14-01**

(52) **U.S. Cl.** **D14/227**

(58) **Field of Search** D14/206, 225,
D14/226, 227, 228, 229, 299; 379/430,
431, 444; 381/91, 168, 169, 122; 181/158

FIG. 1 is a right side elevational view of a microphone showing my new design;

FIG. 2 is a left side elevational view of the microphone of FIG. 1;

FIG. 3 is a top plan view of the microphone of FIG.1;

FIG. 4 is a bottom plan view of the microphone of FIG. 1;

FIG. 5 is a front side view of the microphone of FIG. 1;

FIG. 6 is a back side view of the microphone of FIG. 1;

FIG. 7 is a right side elevational view of the microphone of FIG. 1, illustrating the microphone in a different disposition with respect to its base;

FIG. 8 is a top plan view of the microphone of FIG. 7; and,

FIG. 9 is a bottom plan view of the microphone of FIG. 7.

(56) **References Cited**

U.S. PATENT DOCUMENTS

3,414,686 A 12/1968 Reinthaler
3,560,668 A 2/1971 Warning
3,562,446 A * 2/1971 Wolf 381/362
D357,481 S * 4/1995 Giuntoli et al. D14/227
D368,719 S 4/1996 Luther
D385,885 S * 11/1997 Liao D14/227

1 Claim, 3 Drawing Sheets

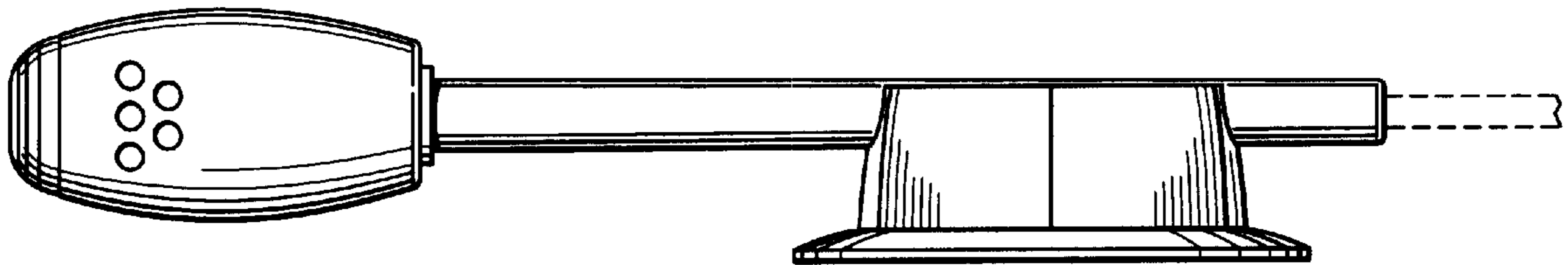


FIG. 1

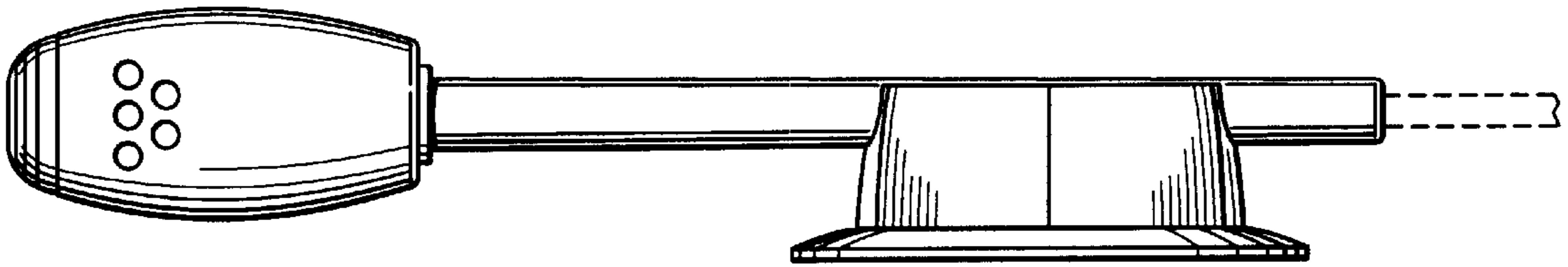


FIG. 2

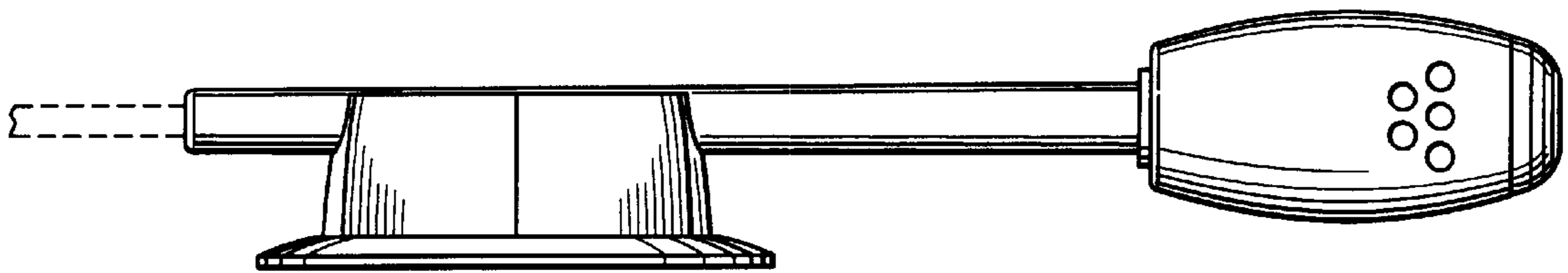


FIG. 3

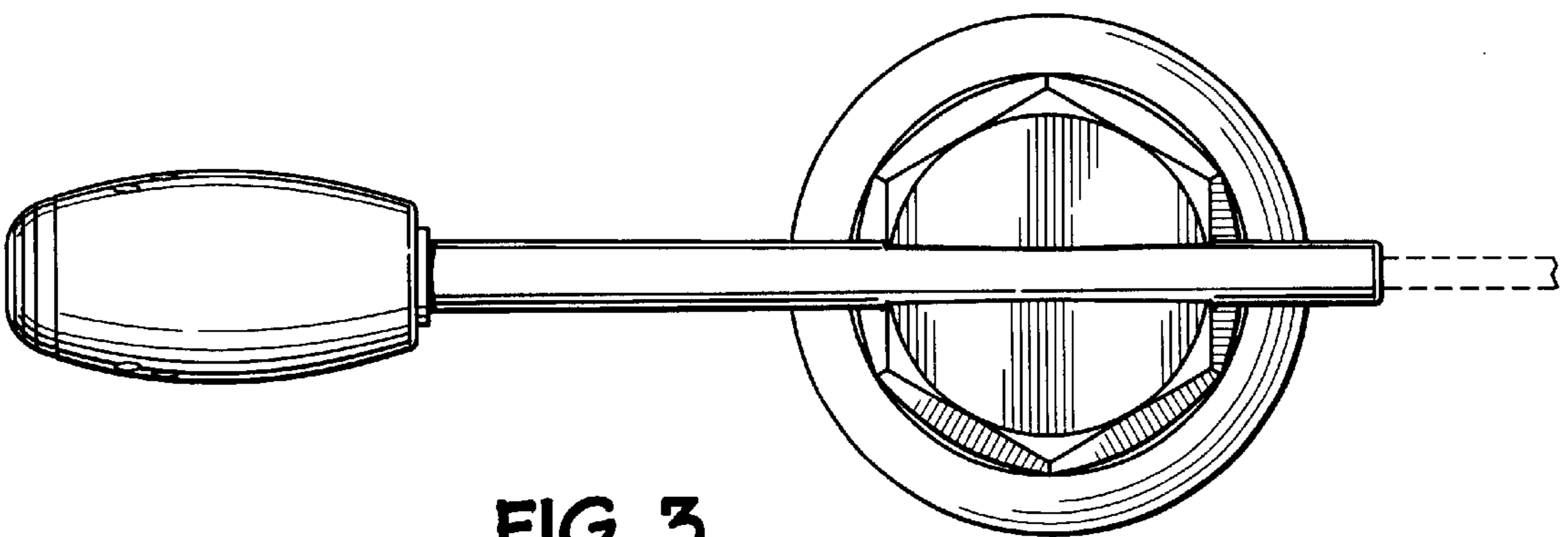


FIG. 4

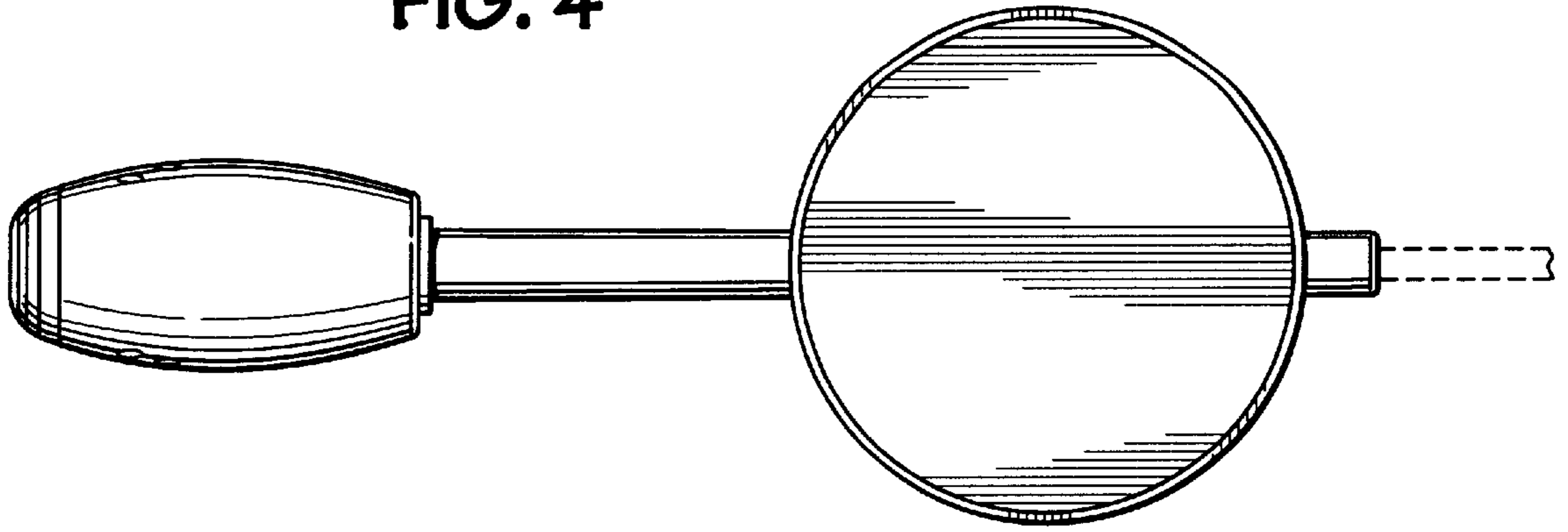


FIG. 5

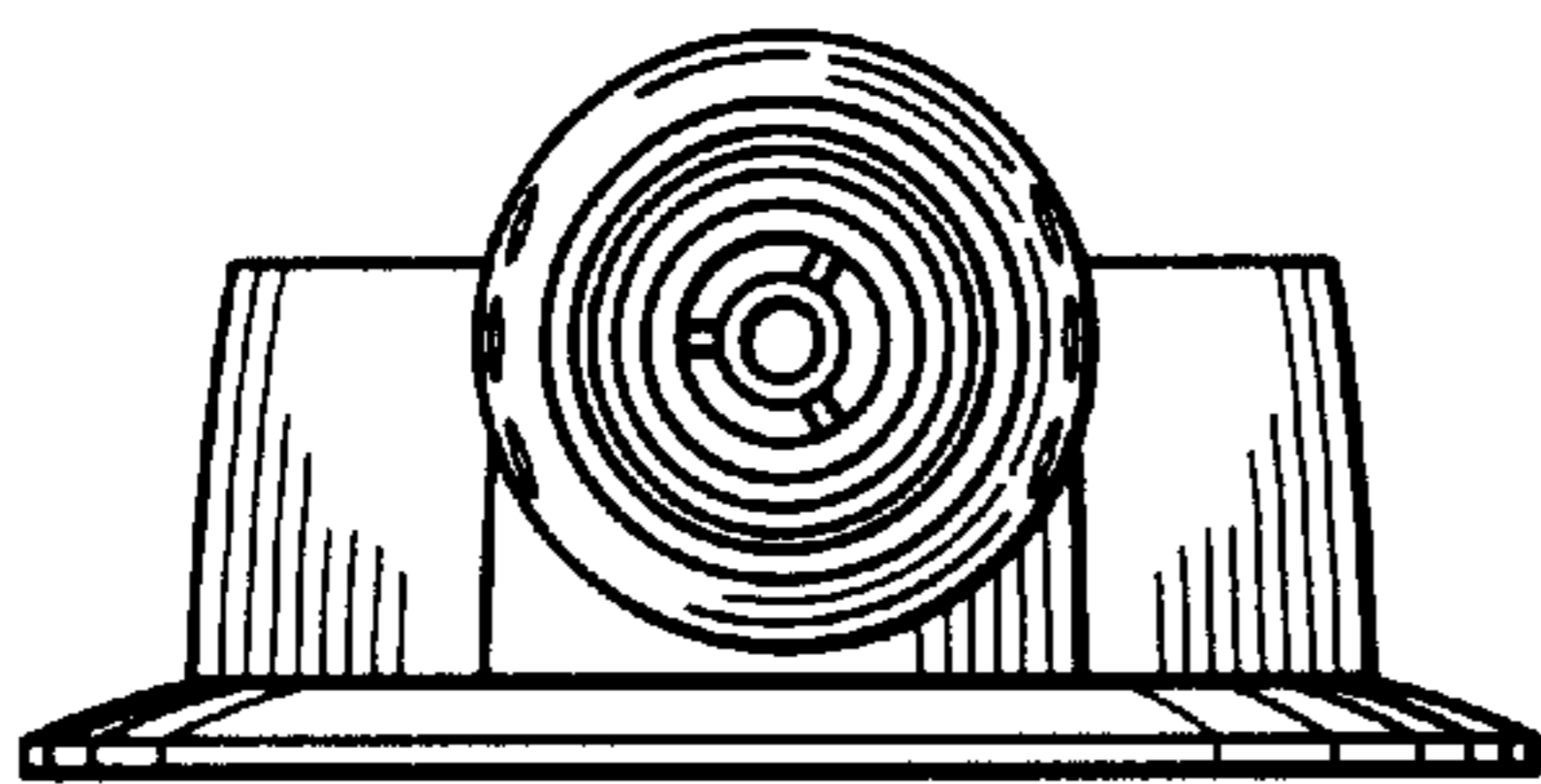


FIG. 6

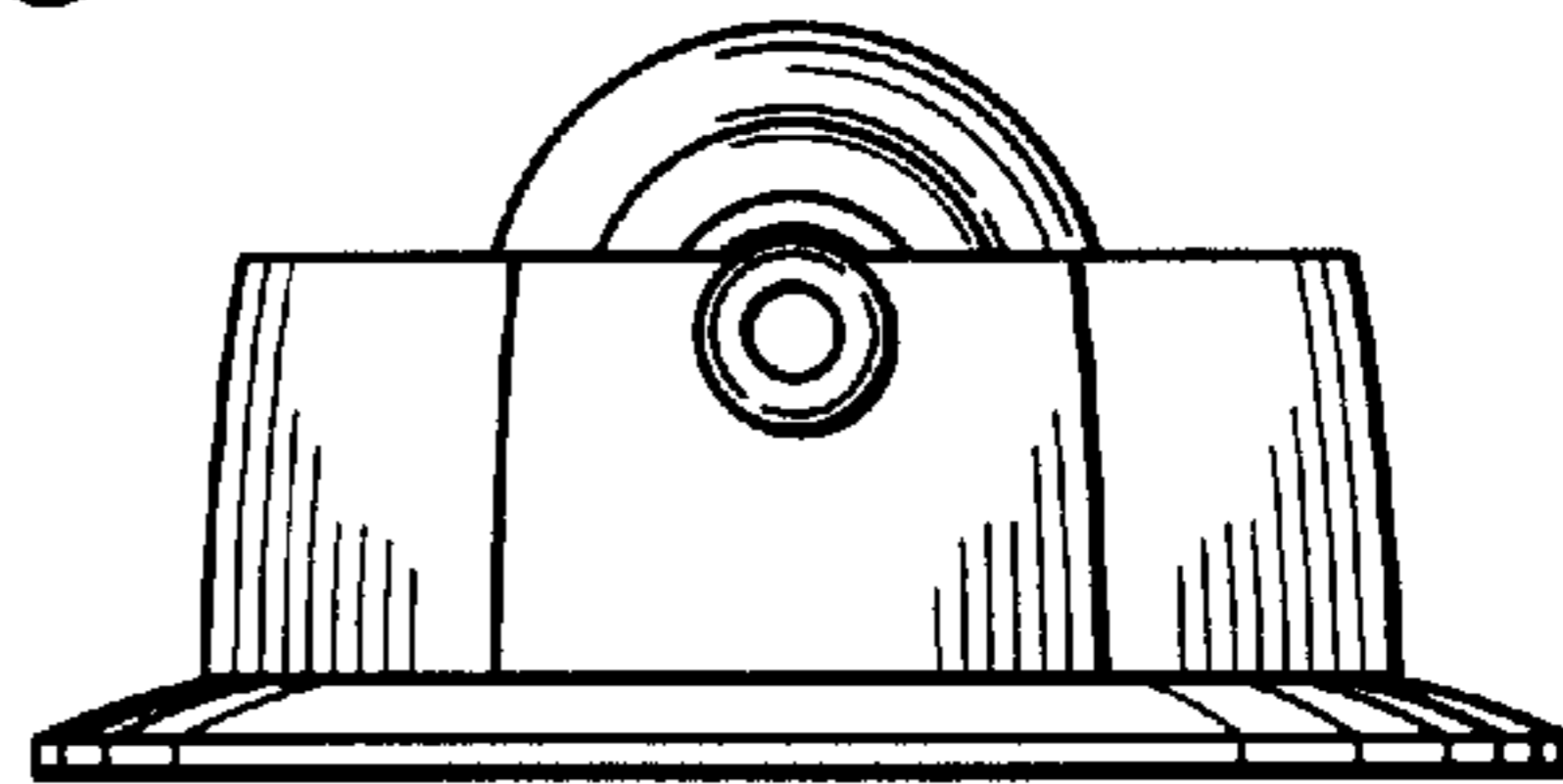


FIG. 7

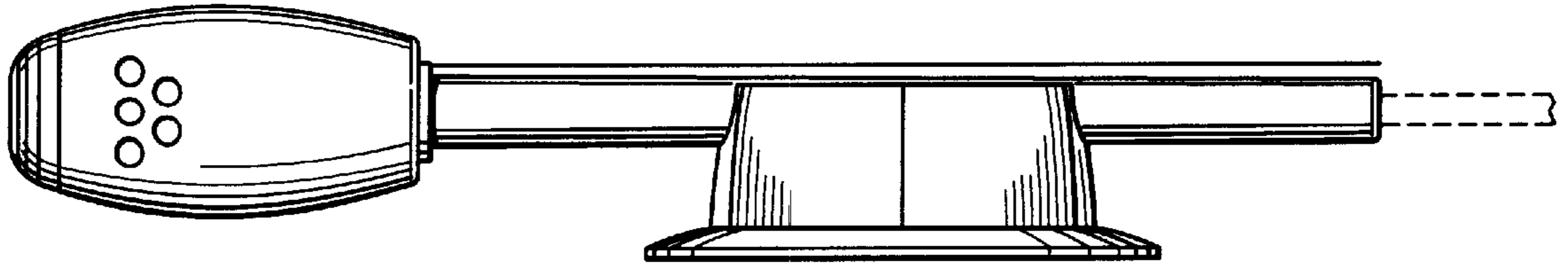


FIG. 8

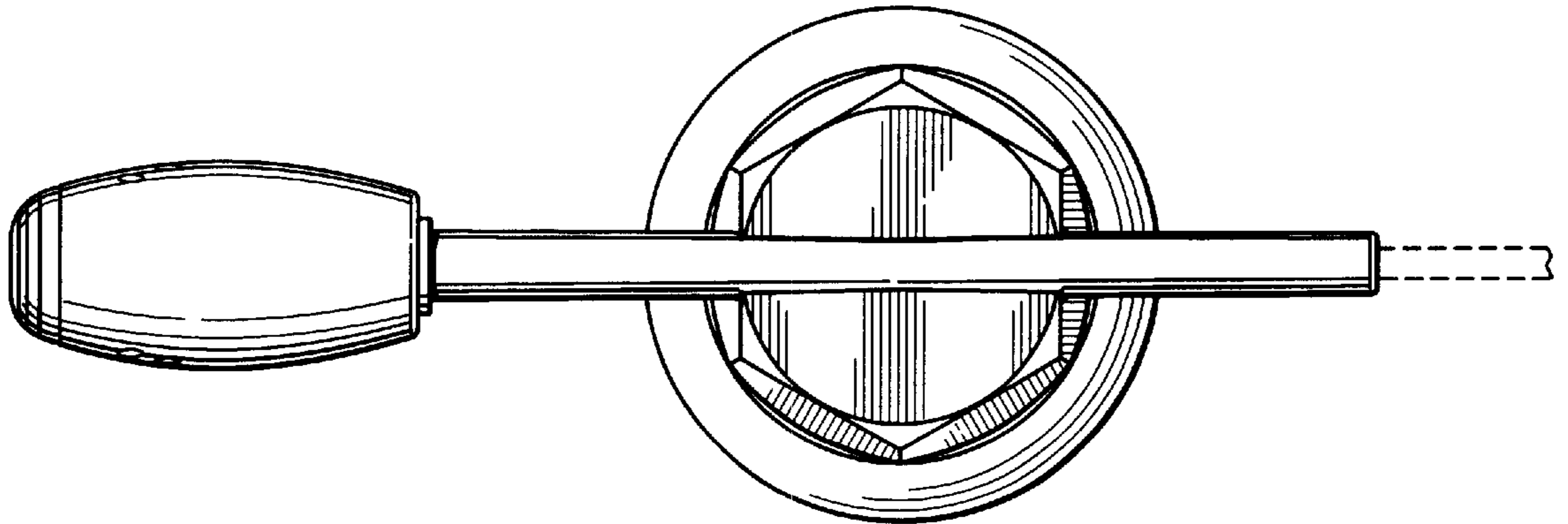
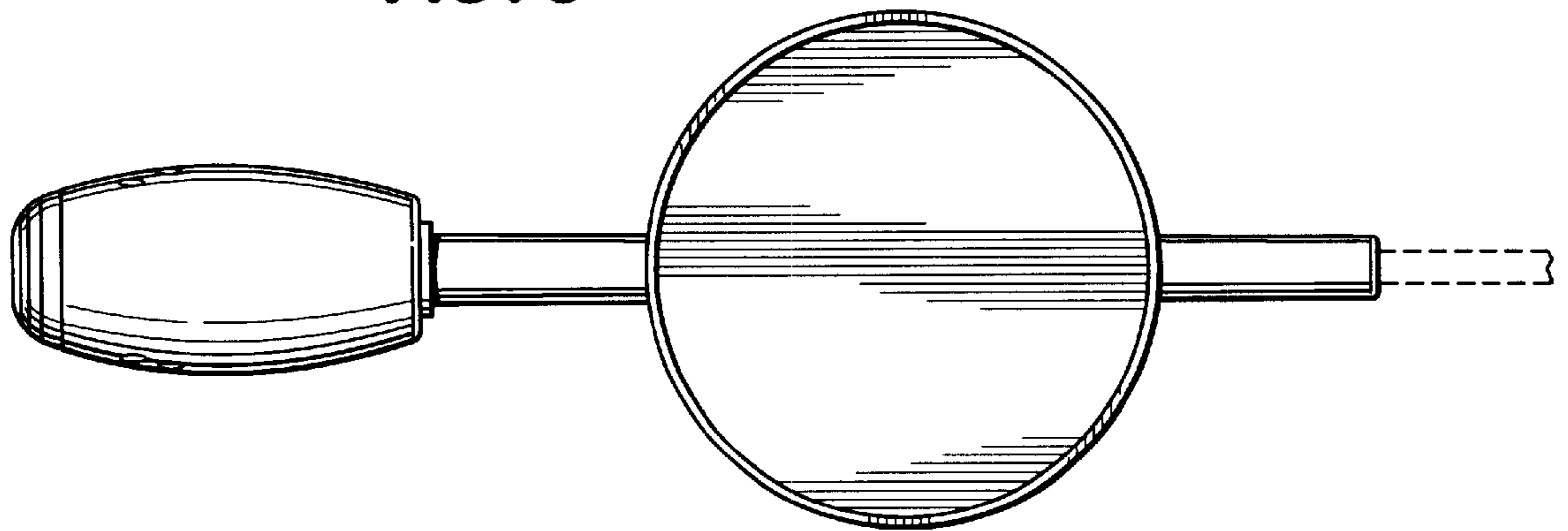


FIG. 9



UNITED STATES PATENT AND TRADEMARK OFFICE
CERTIFICATE OF CORRECTION

PATENT NO. : Des. 469,426 S
APPLICATION NO. : 29/153846
DATED : January 28, 2003
INVENTOR(S) : Jerry L. Hyde et al.

Page 1 of 1

It is certified that error appears in the above-identified patent and that said Letters Patent is hereby corrected as shown below:

Title page:

Item (73) Assignee: Please delete "Beacon Design & Graphics, Inc." and substitute therefore --Beacon Printing & Graphics, Inc.--.

Signed and Sealed this

Fifteenth Day of January, 2008

A handwritten signature in black ink that reads "Jon W. Dudas". The signature is written in a cursive style with a large, stylized initial "J" and "D".

JON W. DUDAS
Director of the United States Patent and Trademark Office