



US00D469418S

(12) **United States Design Patent**
Hsu

(10) **Patent No.: US D469,418 S**

(45) **Date of Patent: ** Jan. 28, 2003**

(54) **TELEPHONE RECEIVER**

(76) **Inventor: Te Hsin Hsu, P.O.Box 4-67, Hsin Chuang, Taipei (TW), 242**

(**) **Term: 14 Years**

(21) **Appl. No.: 29/153,693**

(22) **Filed: Jan. 8, 2002**

(51) **LOC (7) Cl. 14-03**

(52) **U.S. Cl. D14/142; D14/147**

(58) **Field of Search D14/137, 138, D14/218, 147-148, 243, 247-248, 225-228, 144, 191, 215, 196, 216, 341-347, 159, 194, 195; 379/433.01-433.13, 419, 434, 428.01-428.04, 420.01-420.04, 440; 455/550-575, 90, 347, 350-351; D21/517**

D342,739 S	*	12/1993	Atkin et al.	D14/217
D347,430 S	*	5/1994	Uchiyama et al.	D14/165
D348,673 S	*	7/1994	Jones, III et al.	D14/217
D352,038 S	*	11/1994	Kobayashi	D14/215
D369,811 S	*	5/1996	Chen	D14/248
D392,971 S	*	3/1998	Pisutha-Arnond et al. .	D14/191
D405,082 S	*	2/1999	Shibata	D14/156
D405,789 S	*	2/1999	Chan	D14/163
D409,198 S	*	5/1999	Harvey et al.	D14/215
D416,019 S	*	11/1999	Chan	D14/163
D416,260 S	*	11/1999	Harvey et al.	D14/215
6,052,464 A	*	4/2000	Harris et al.	379/433
D433,013 S	*	10/2000	Yuyama et al.	D14/227
D433,671 S	*	11/2000	Fitzgerald	D14/142
D440,557 S	*	4/2001	Su	D14/215
D449,036 S	*	10/2001	Weikel et al.	D14/215
D457,508 S	*	5/2002	Lam	D14/147
D457,865 S	*	5/2002	Lam	D14/147
D459,718 S	*	7/2002	Ma et al.	D14/225
D460,953 S	*	7/2002	Argle et al.	D14/138

(56) **References Cited**

U.S. PATENT DOCUMENTS

D78,473 S	*	5/1929	Marchev	D14/215
2,670,807 A	*	3/1954	Brown	381/189
D195,961 S	*	8/1963	Spilman	D14/225
D199,676 S	*	12/1964	Reed	D14/215
D203,187 S	*	12/1965	Deschamps	D14/225
D229,519 S	*	12/1973	Wood	D27/187
D239,775 S	*	5/1976	Reed	D14/215
D242,282 S	*	11/1976	Kawano	D14/137
D244,779 S	*	6/1977	Kobayashi	D14/225
D245,692 S	*	9/1977	Imazeki	D14/225
D247,560 S	*	3/1978	Imazeki	D14/225
D247,669 S	*	4/1978	Murakami et al.	D14/225
D249,041 S	*	8/1978	Culbertson	D14/225
D249,682 S	*	9/1978	Kushida et al.	D14/225
D250,708 S	*	1/1979	Sakaguchi	D14/225
D250,709 S	*	1/1979	Sakaguchi	D14/225
D298,034 S	*	10/1988	Yoshiharu	D14/147
D303,258 S	*	9/1989	Weiser et al.	D14/138
D308,869 S	*	6/1990	Tell	D14/165
D308,971 S	*	7/1990	Weiser et al.	D14/138
D310,082 S	*	8/1990	Kehl et al.	D14/227
D313,021 S	*	12/1990	Ehrmann	D14/196
D315,159 S	*	3/1991	Hino	D14/163
D317,008 S	*	5/1991	Emmerling	D14/215
5,099,514 A	*	3/1992	Acree	379/441

OTHER PUBLICATIONS

www.samsonweb.com/..., visited May 14, 2002, mini phones shown therein.*

www.chinapowernet.com/..., visited May 14, 2002, mini phones shown therein.*

* cited by examiner

Primary Examiner—Jeffrey Asch

(57) **CLAIM**

The ornamental design for a telephone receiver, as shown and described.

DESCRIPTION

FIG. 1 is a perspective view of a telephone receiver showing my new design;

FIG. 2 is a front elevational view thereof;

FIG. 3 is a rear elevational view thereof;

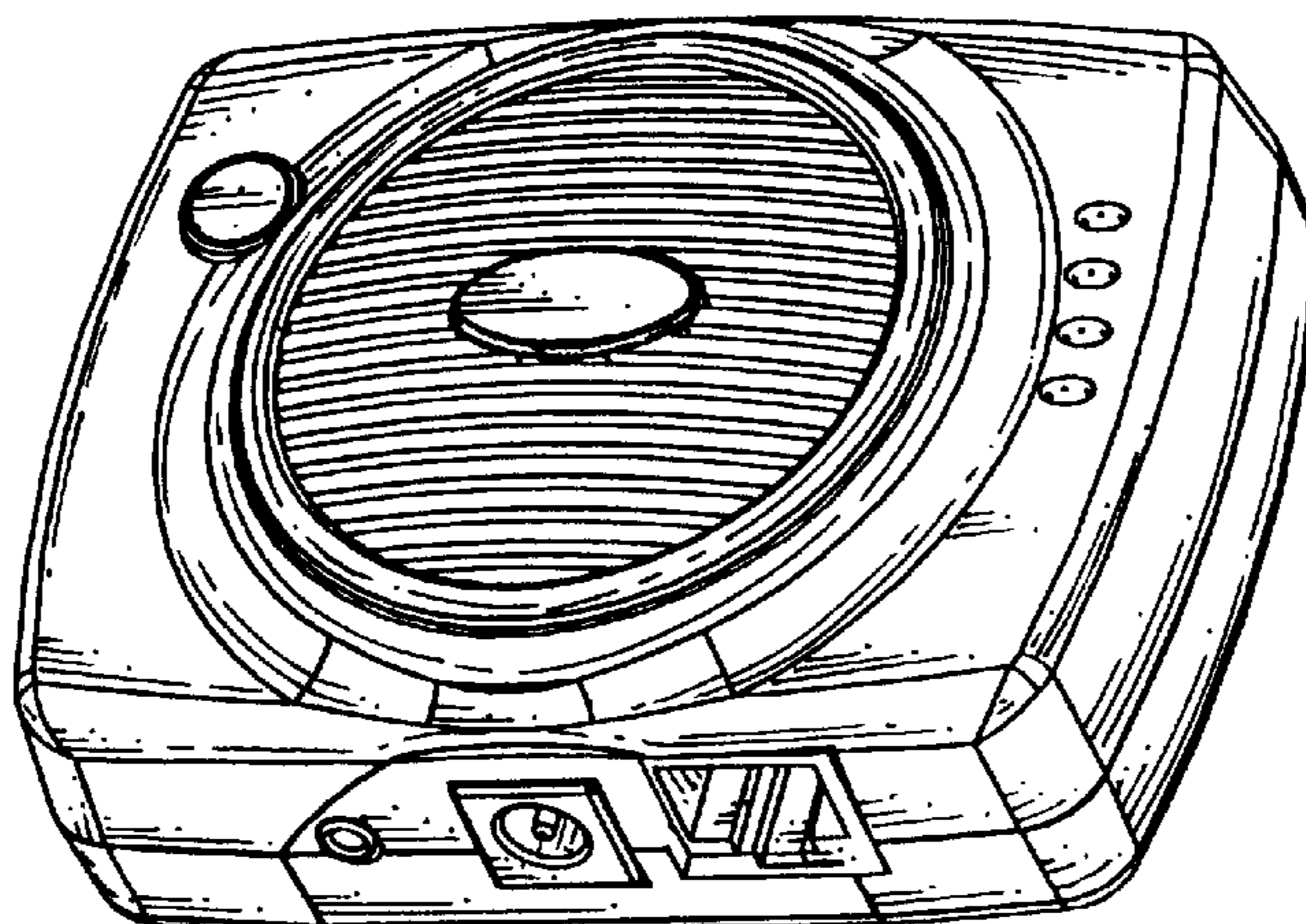
FIG. 4 is a top plan view thereof;

FIG. 5 is a bottom plan view thereof;

FIG. 6 is a left side elevational view thereof; and,

FIG. 7 is a right side elevational view thereof.

1 Claim, 3 Drawing Sheets



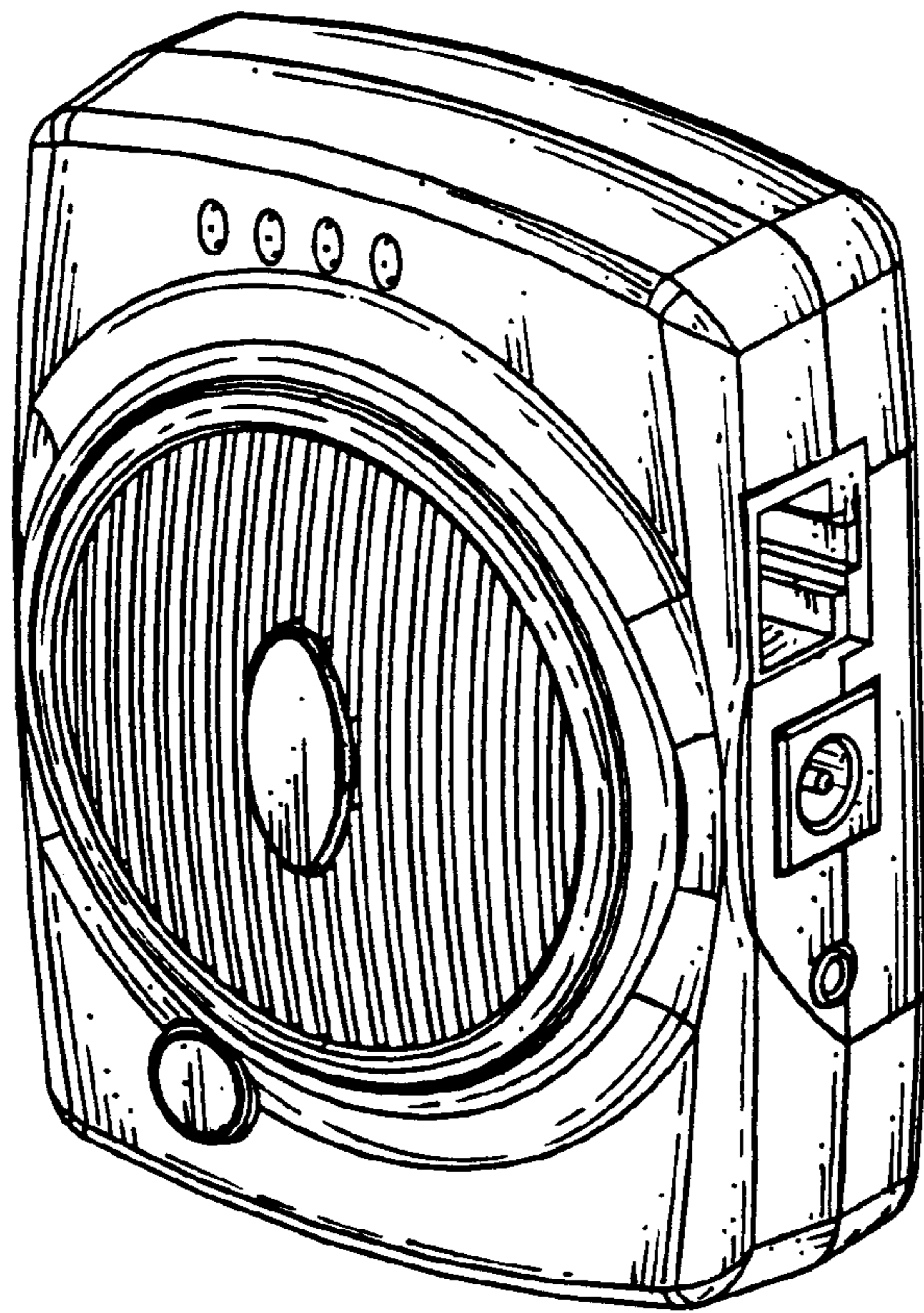


FIG. 1

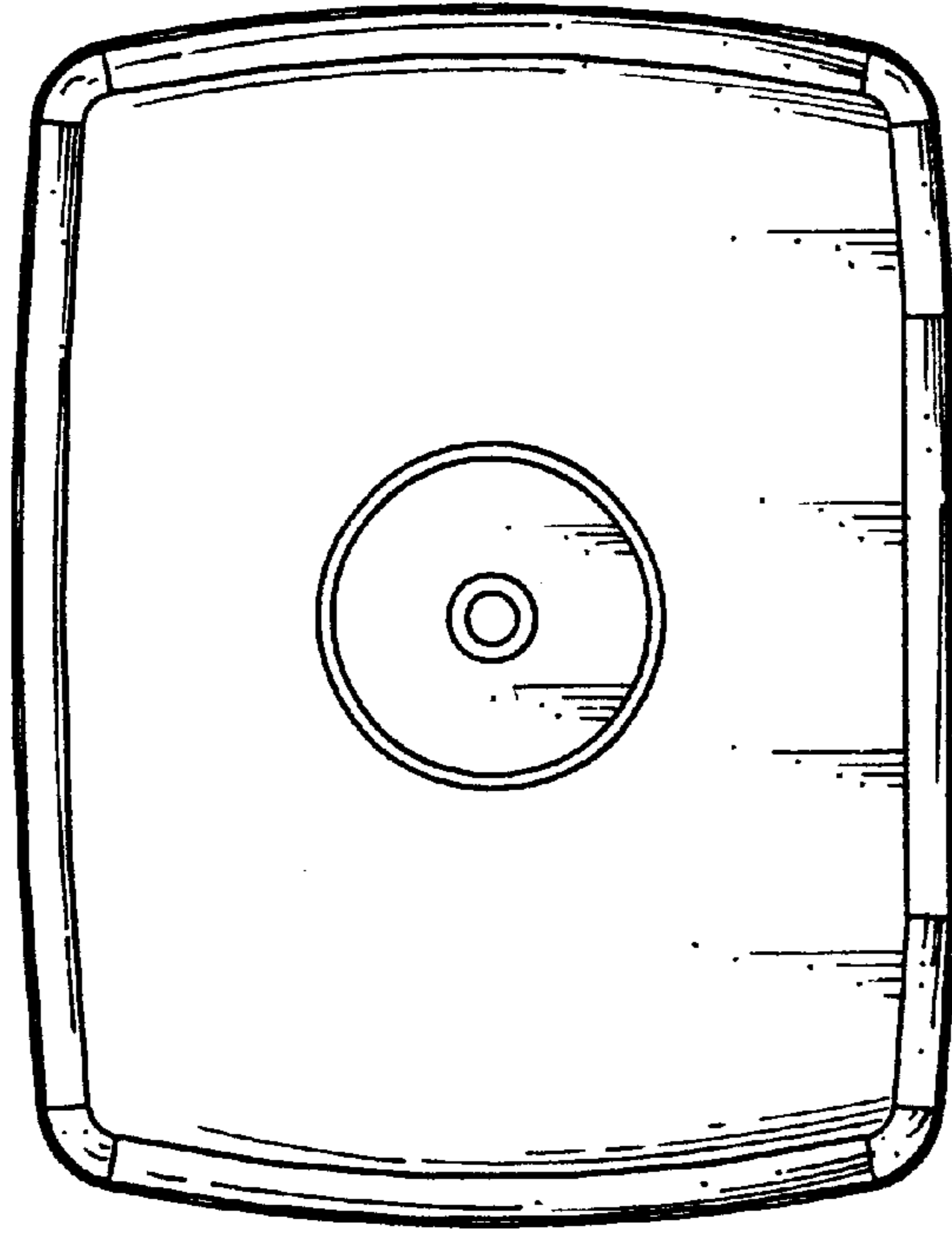


FIG. 3

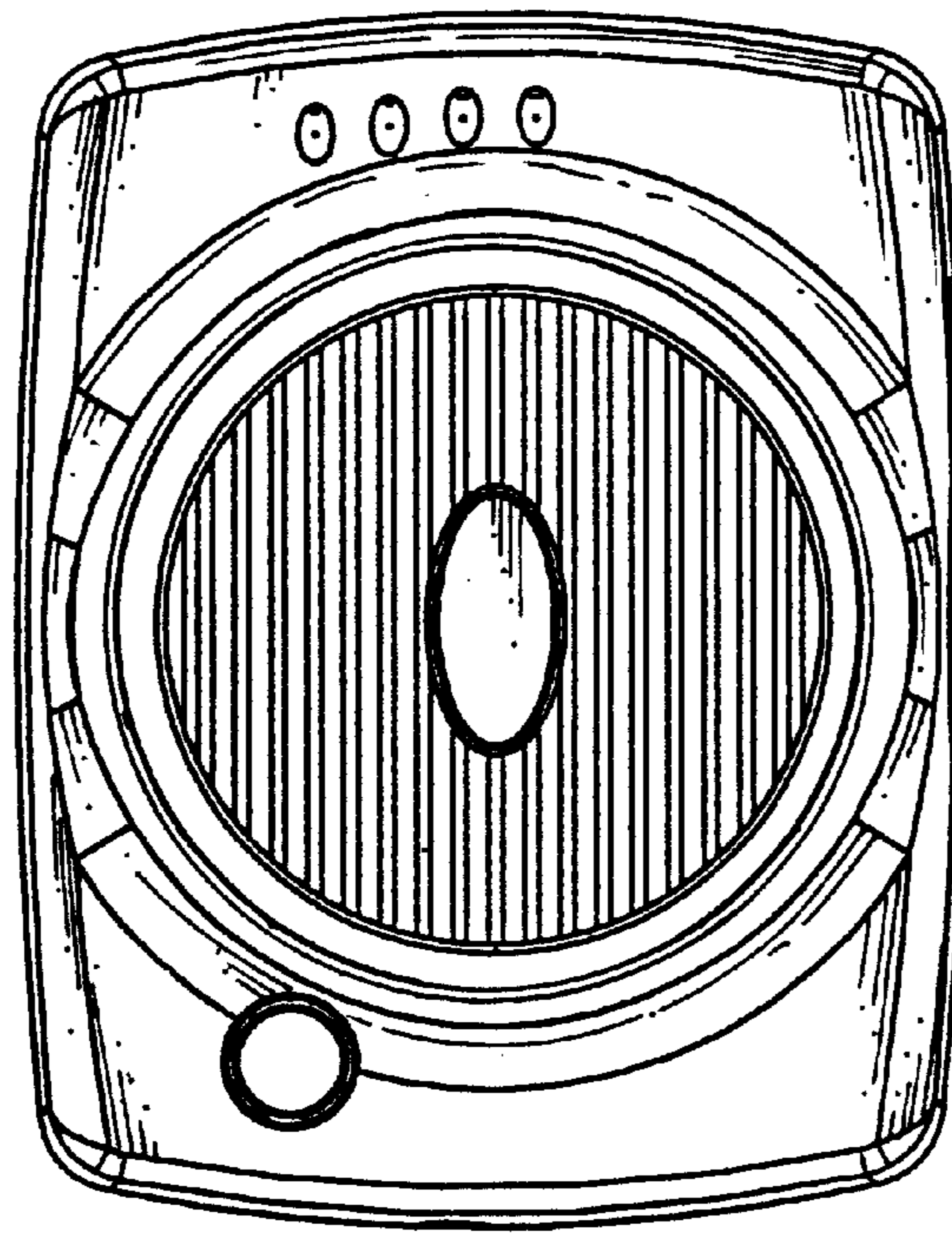


FIG. 2

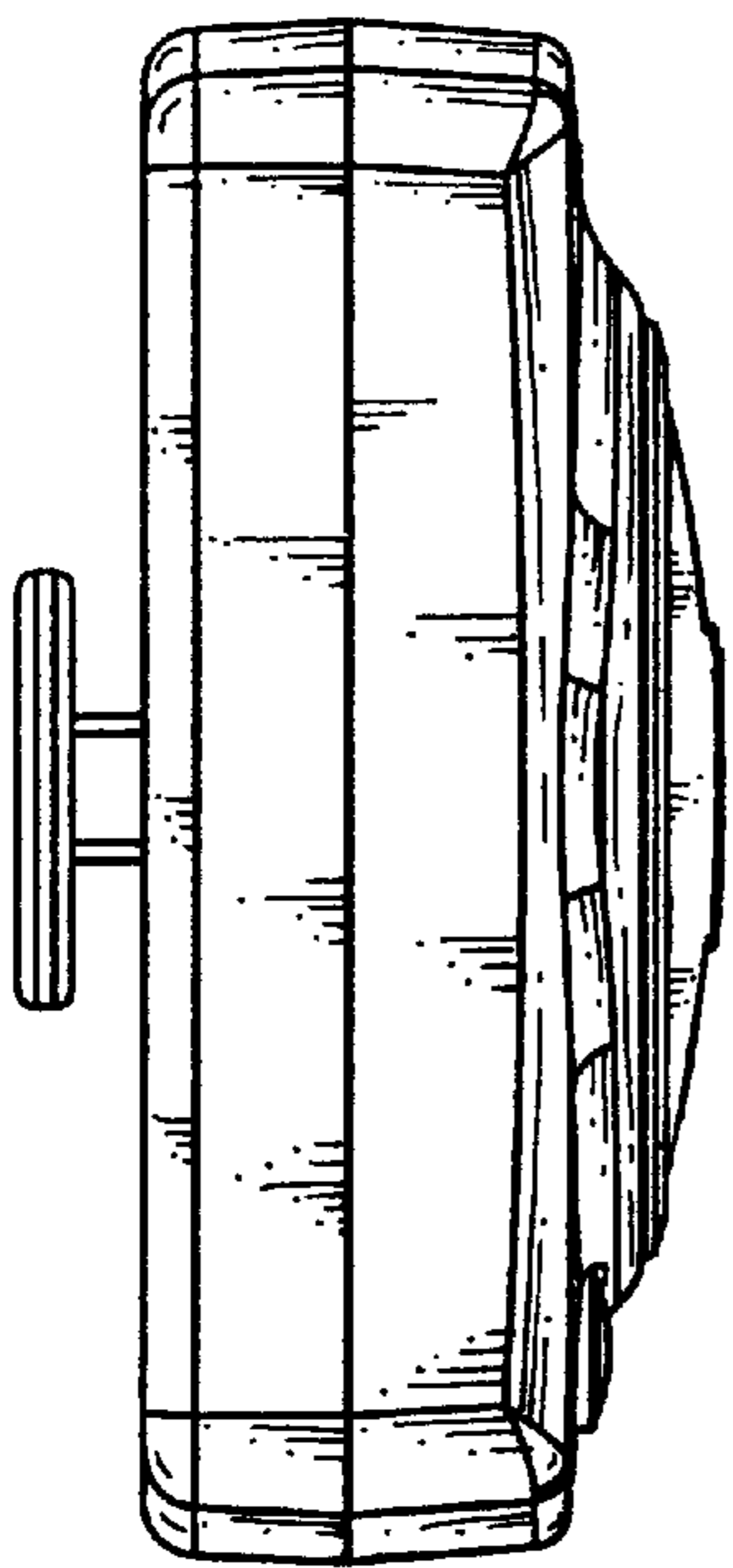


FIG. 4

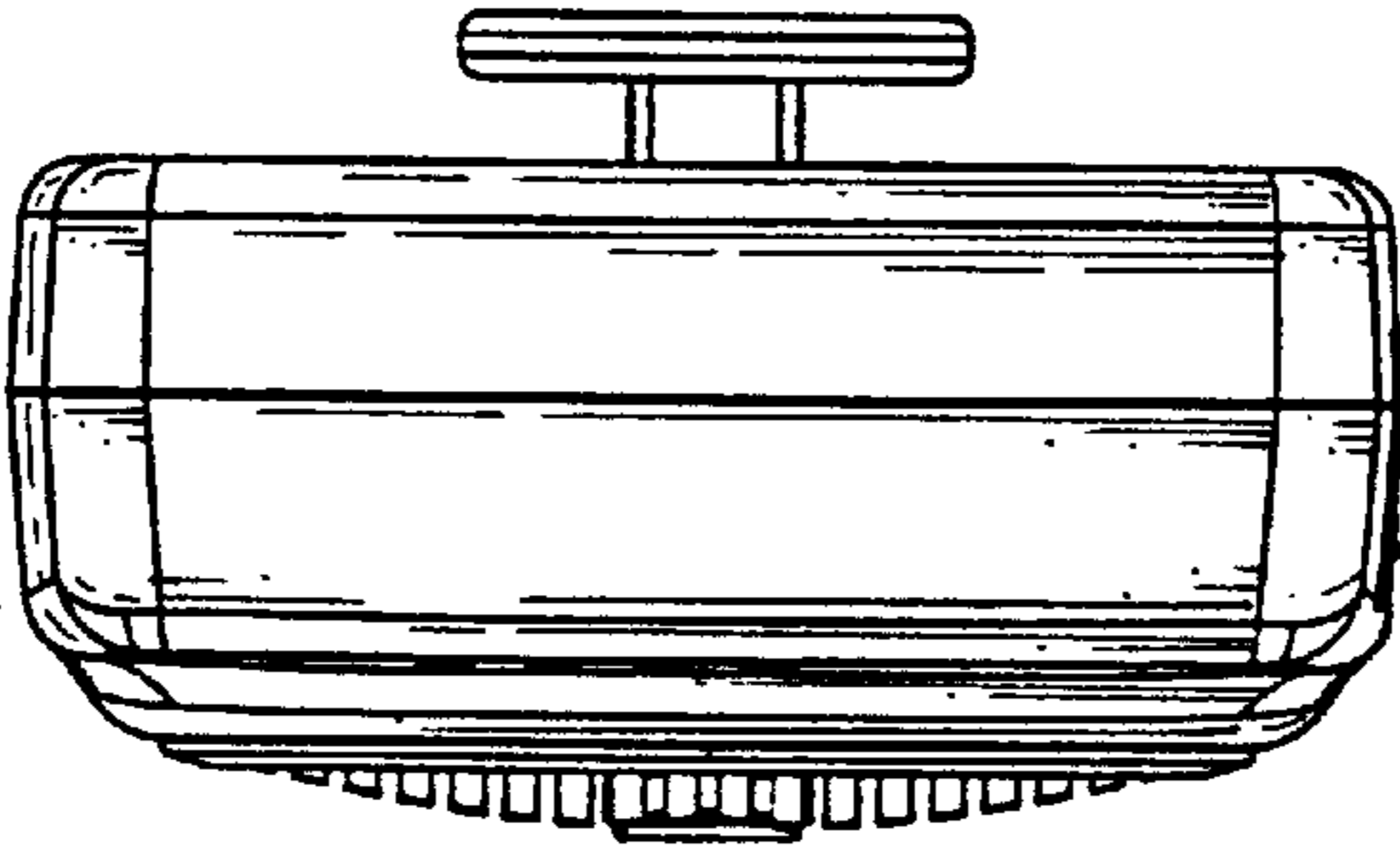


FIG. 7

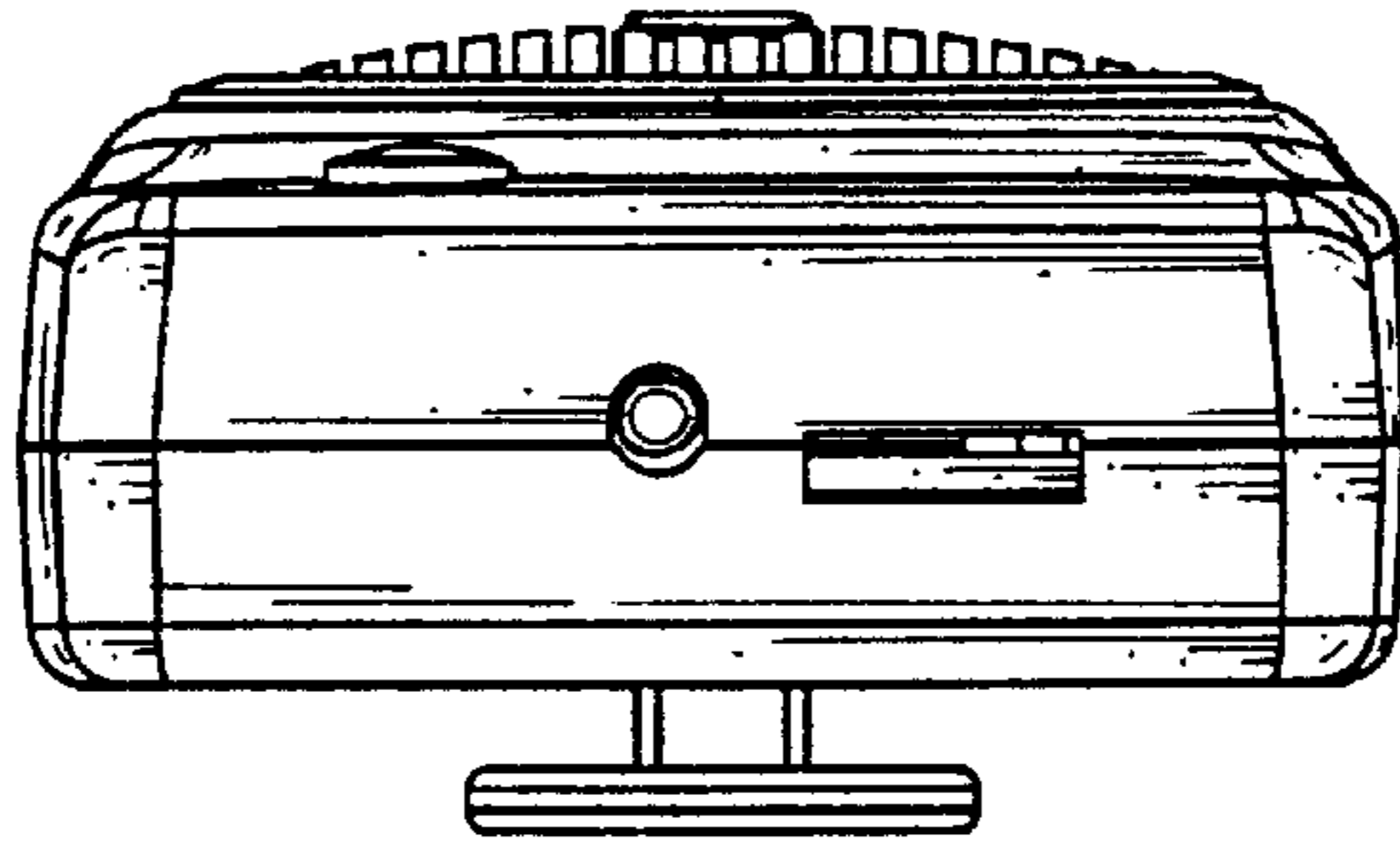


FIG. 6

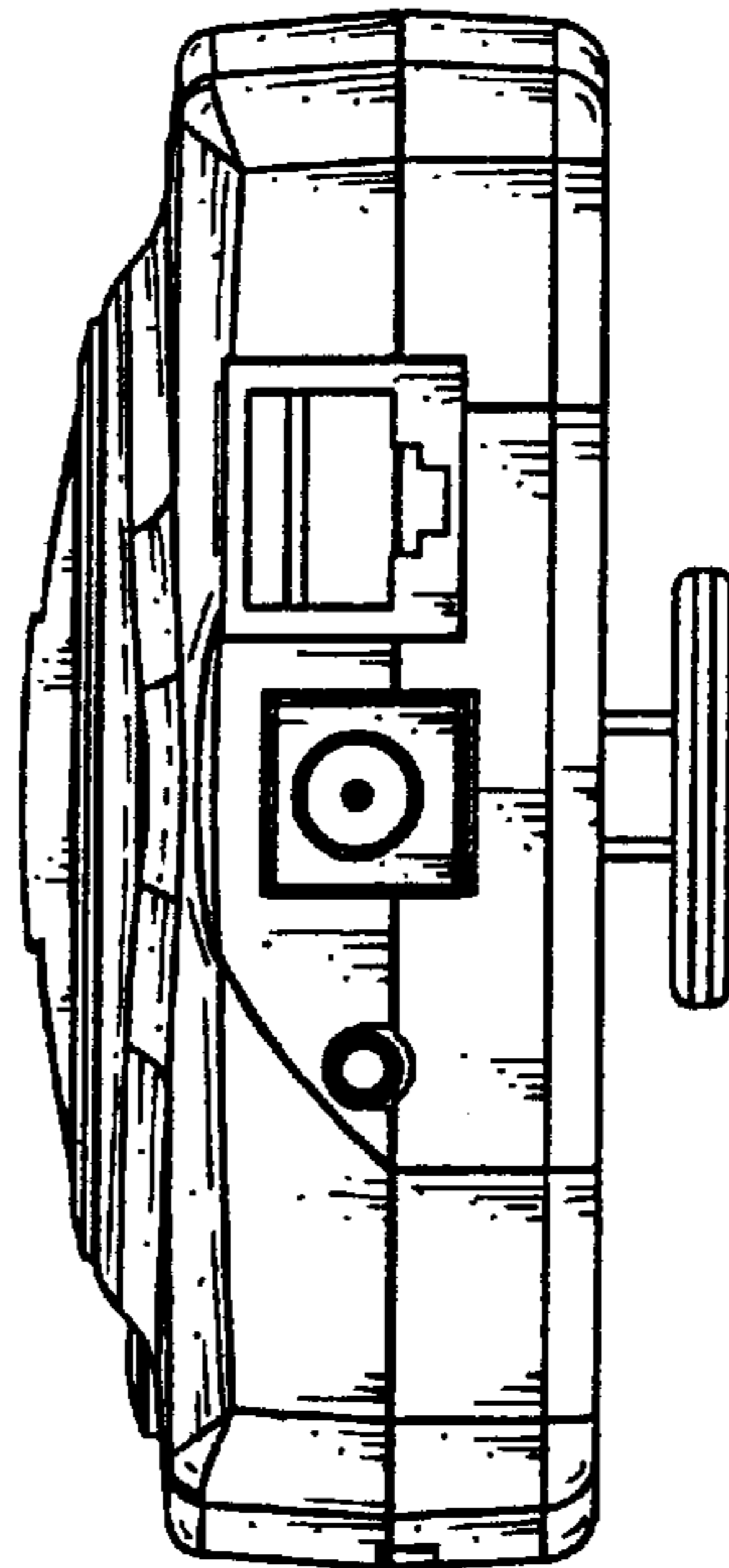


FIG. 5