



US00D469414S

(12) **United States Design Patent**
Lewis

(10) **Patent No.:** **US D469,414 S**

(45) **Date of Patent:** **** Jan. 28, 2003**

(54) **TELEVISION**

(76) **Inventor:** **Davis Lewis**, St. Konensgade 110 C,
1264 Copenhagen K (DK)

(**) **Term:** **14 Years**

(21) **Appl. No.:** **29/156,077**

(22) **Filed:** **Feb. 20, 2002**

(30) **Foreign Application Priority Data**

Aug. 27, 2001 (DK) 2001 00866

(51) **LOC (7) Cl.** **14-03**

(52) **U.S. Cl.** **D14/126**

(58) **Field of Search** D14/125-136,
D14/239, 371, 374-382; 312/7.2; 348/836,
838, 180, 184, 325, 739; 248/917-924;
341/12; 345/104, 133, 156, 168, 87, 173

(56) **References Cited**

U.S. PATENT DOCUMENTS

- D388,077 S * 12/1997 Starck D14/126
- D422,575 S * 4/2000 Tikhonski et al. D14/126
- D424,534 S * 5/2000 Priestman et al.

- D438,518 S * 3/2001 Kanatani et al. D14/126
- D438,848 S * 3/2001 Kita D14/126
- D446,519 S * 8/2001 Wu D14/375
- D449,609 S * 10/2001 Jung D14/374
- D456,023 S * 4/2002 Andre et al. D14/375

* cited by examiner

Primary Examiner—Raphael Barkai

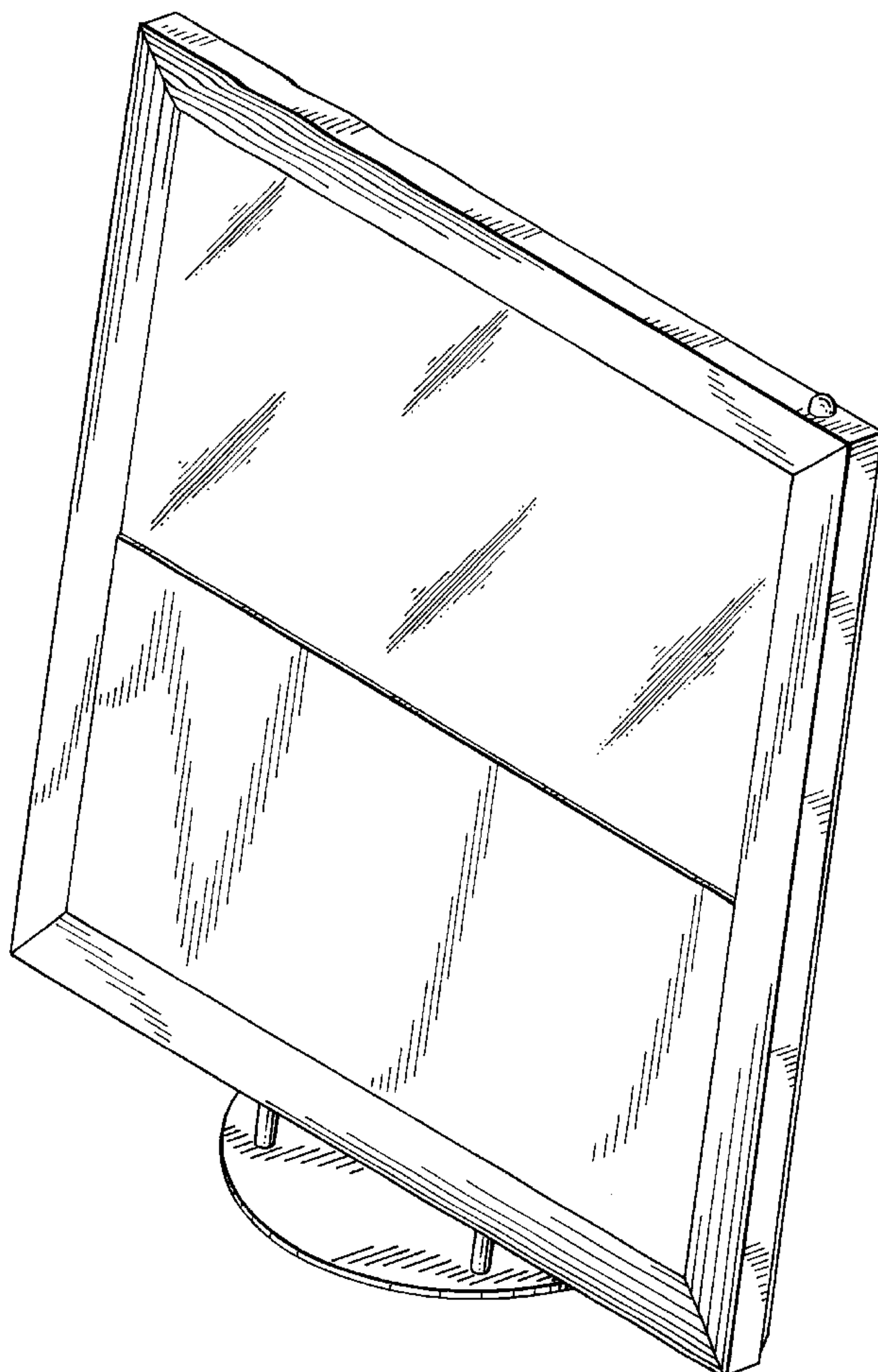
(57) **CLAIM**

I claim the ornamental design for the television, as shown and described.

DESCRIPTION

- FIG. 1 is a front right perspective view of the television of the present invention.
- FIG. 2 is a rear left perspective view thereof.
- FIG. 3 is a front view thereof.
- FIG. 4 is a rear view thereof.
- FIG. 5 is a left side view thereof.
- FIG. 6 is a right side view thereof.
- FIG. 7 is a top view thereof; and,
- FIG. 8 is a bottom view thereof.

1 Claim, 8 Drawing Sheets



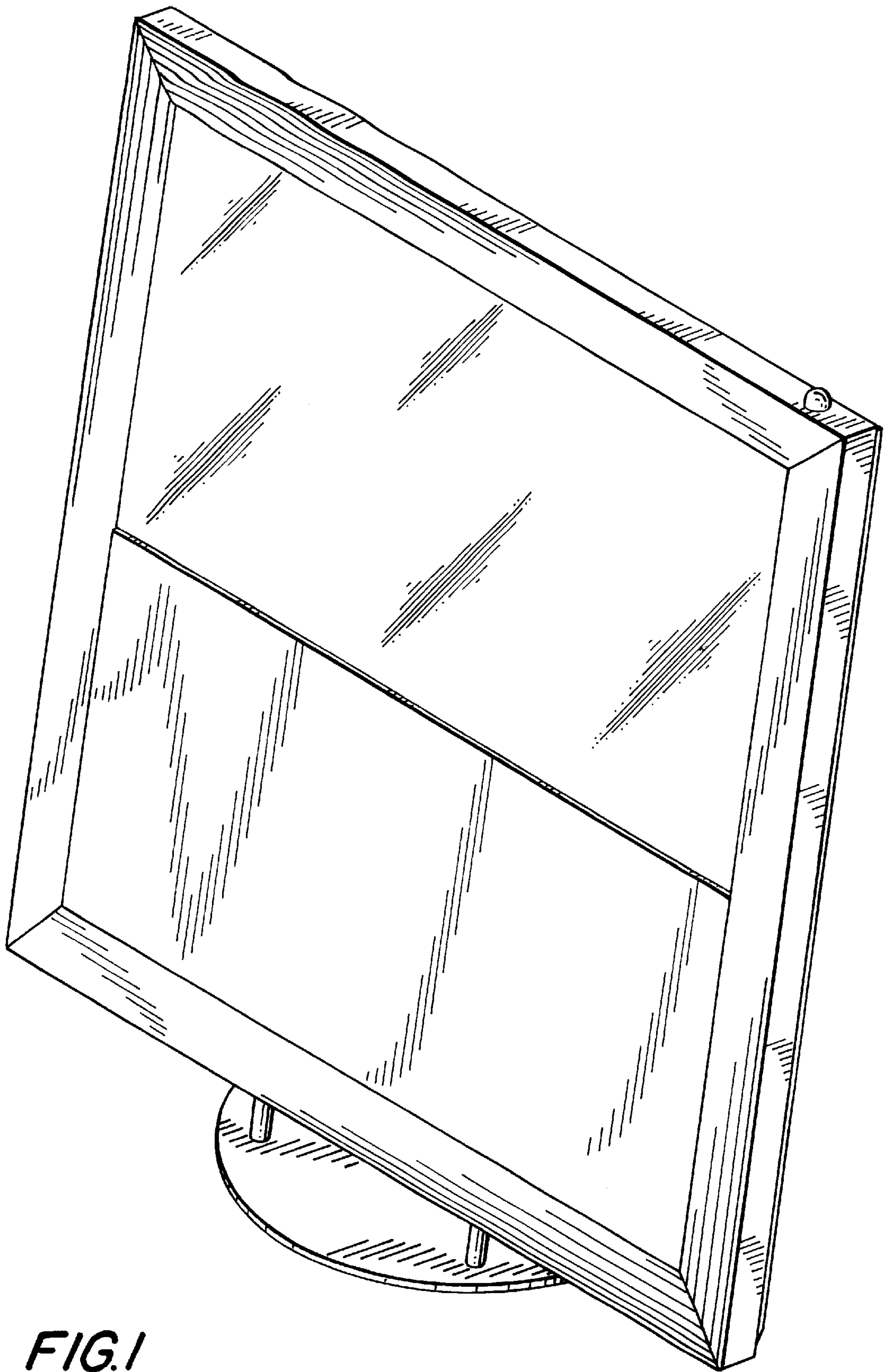


FIG. 1

FIG. 2

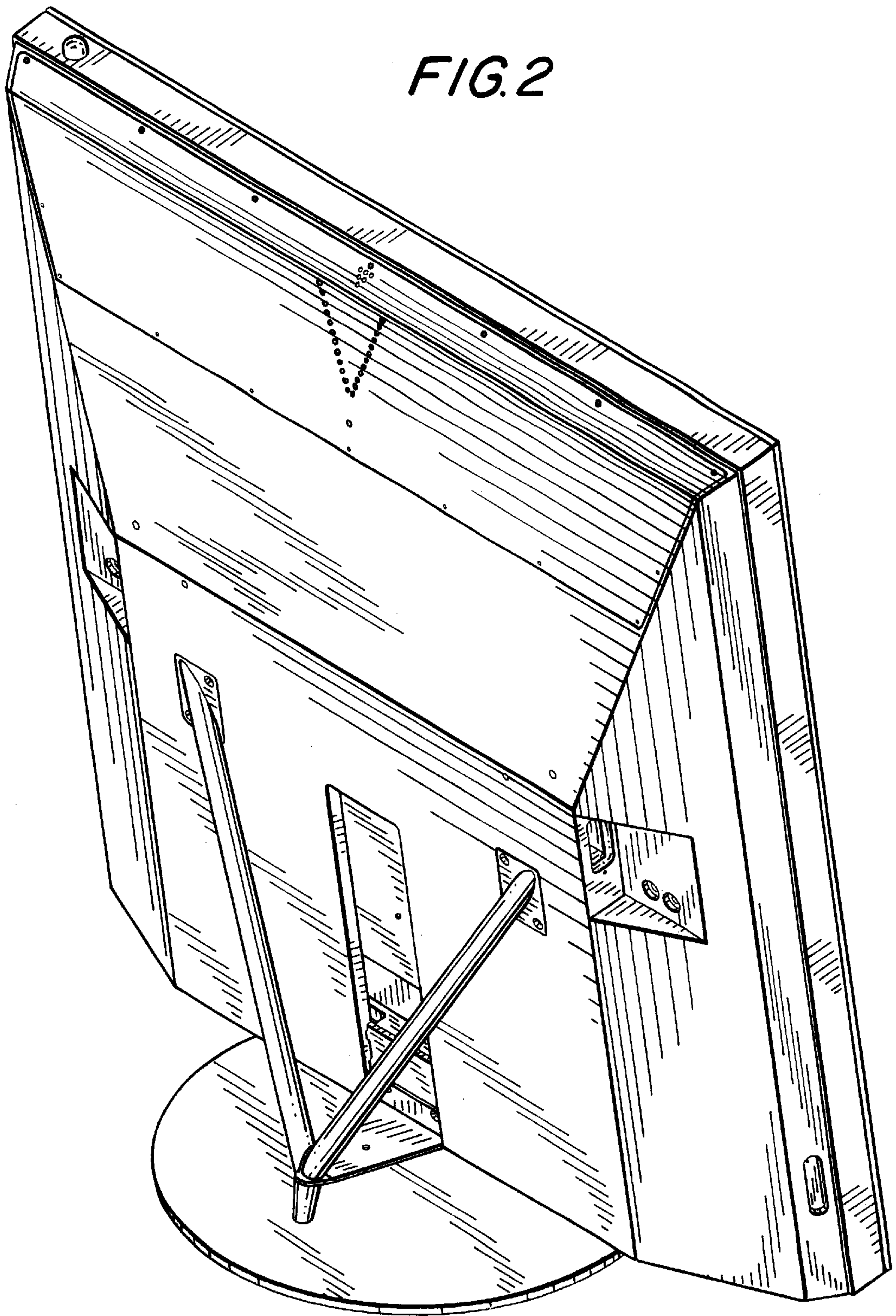


FIG. 3

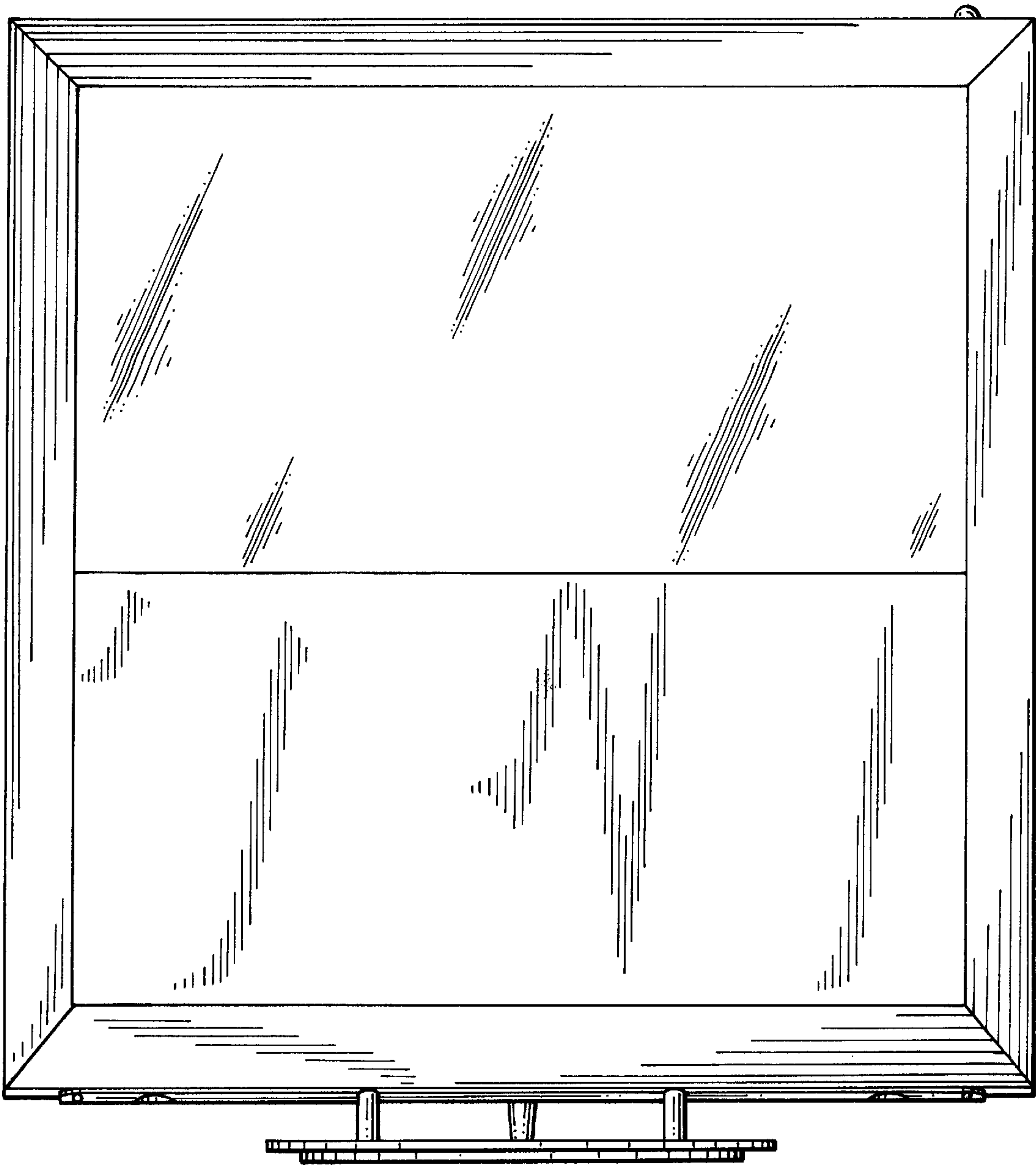


FIG. 4

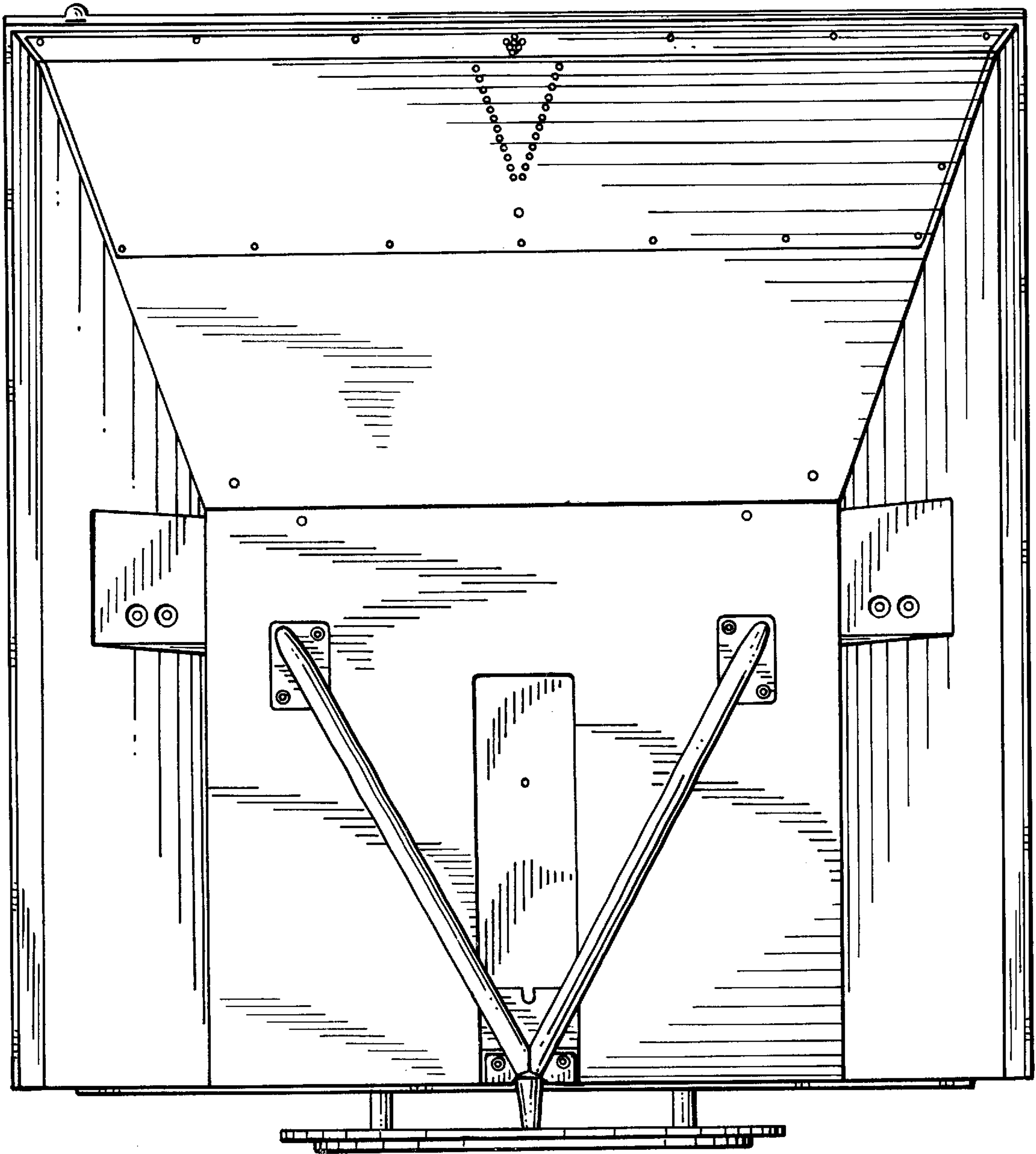


FIG. 5

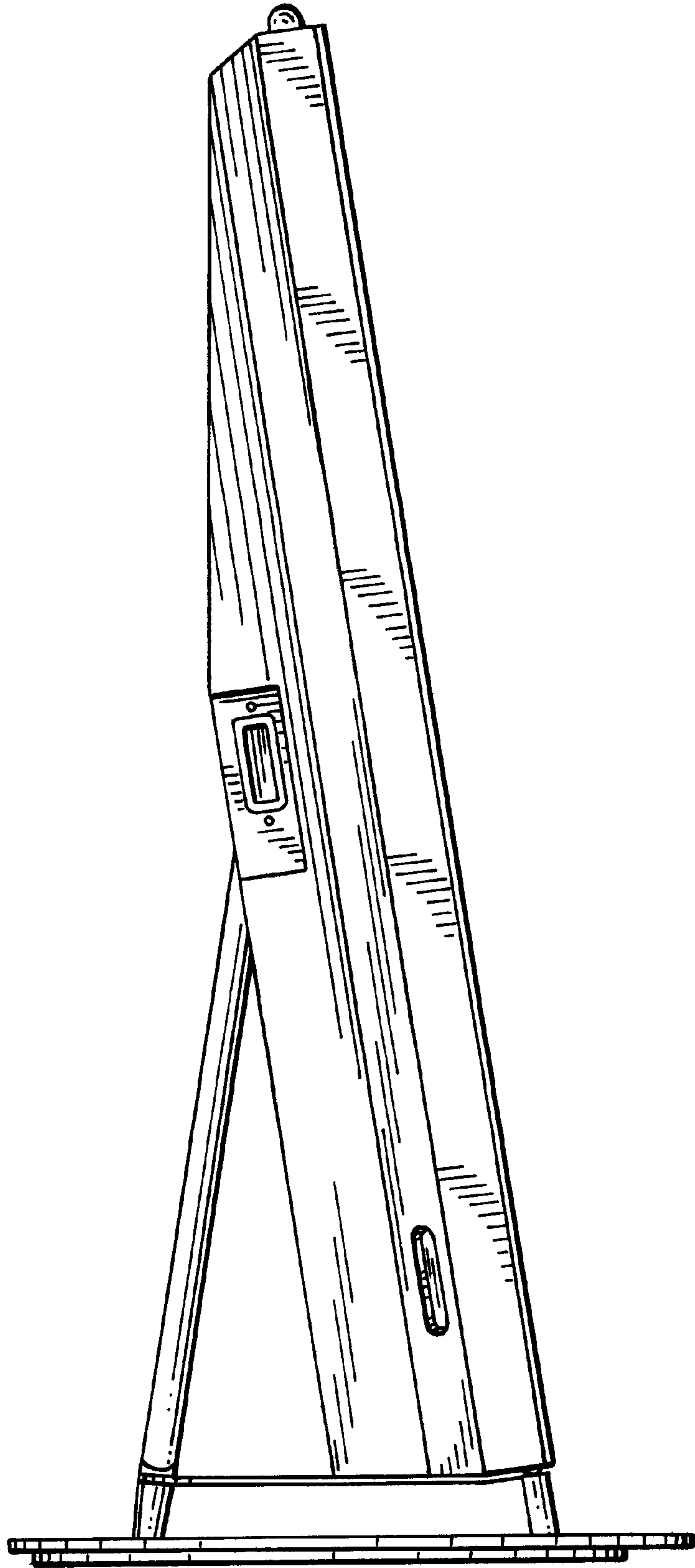


FIG. 6

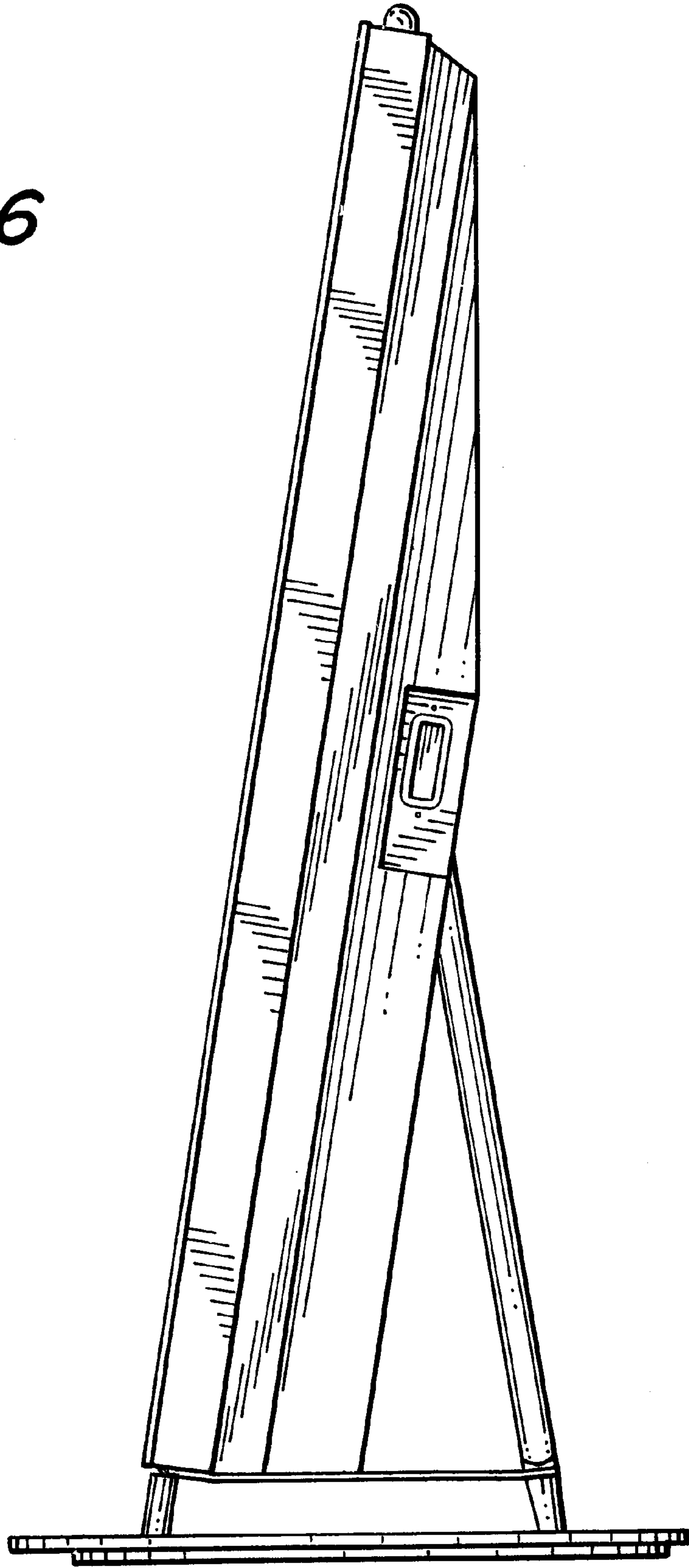


FIG. 7

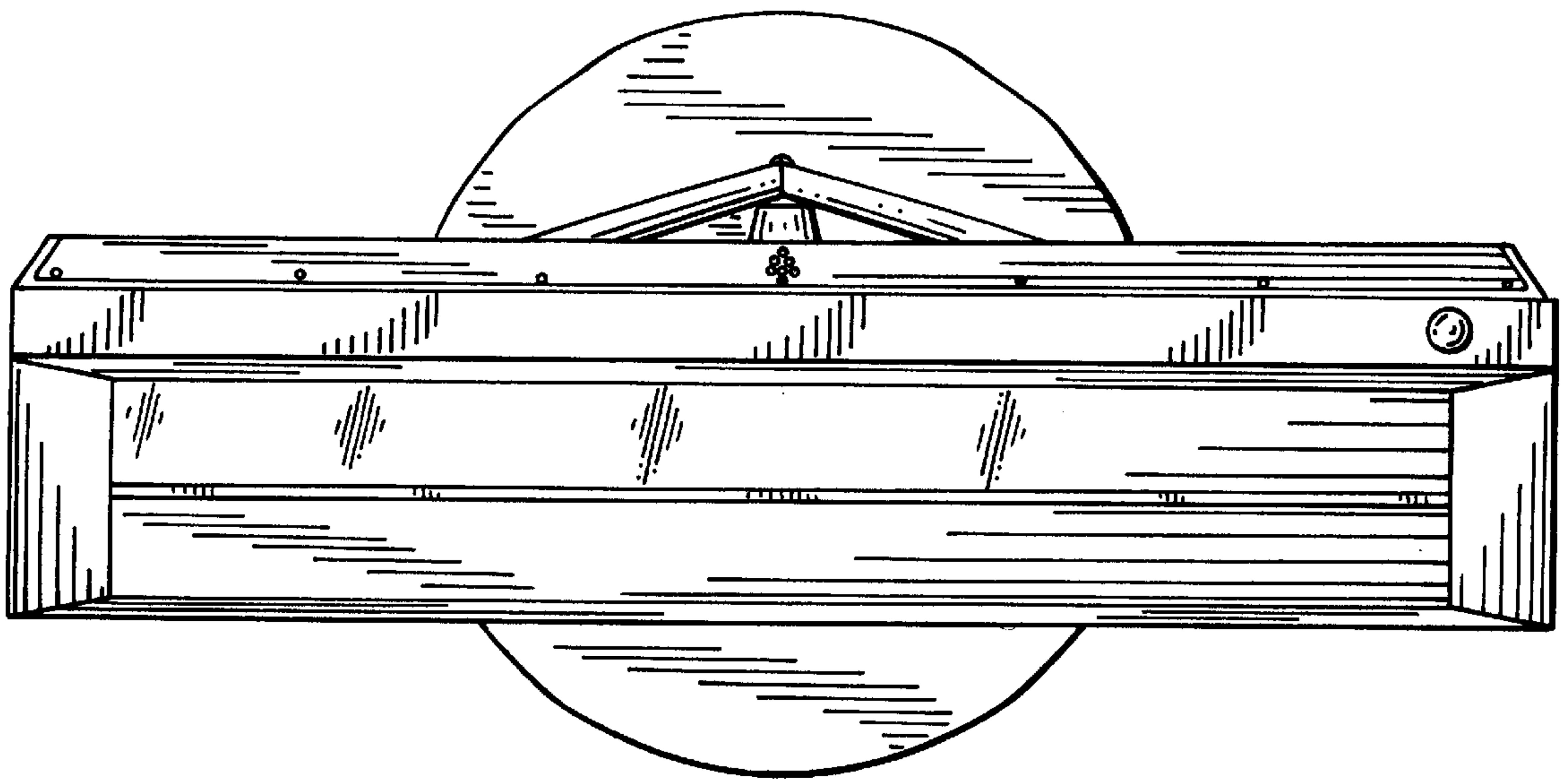


FIG. 8

