



US00D469411S

(12) **United States Design Patent**
Decosse

(10) **Patent No.:** **US D469,411 S**

(45) **Date of Patent:** **** Jan. 28, 2003**

(54) **BUTTON**

(75) **Inventor:** **Jean Decosse, Girens (FR)**

(73) **Assignee:** **Schneider Electric SA, Boulogne (FR)**

(**) **Term:** **14 Years**

(21) **Appl. No.:** **29/105,249**

(22) **Filed:** **May 19, 1999**

(30) **Foreign Application Priority Data**

Nov. 19, 1998 (FR) 98 6760

(51) **LOC (7) Cl.** **13-03**

(52) **U.S. Cl.** **D13/174; D13/171**

(58) **Field of Search** 200/275, 314,
200/412, 520, 552; D13/158, 171, 174;
302/302, 315, 108

(56) **References Cited**

U.S. PATENT DOCUMENTS

3,305,660 A * 2/1967 Sohns et al. 200/330
4,249,057 A * 2/1981 Schiegel et al. 200/5 E
4,404,445 A * 9/1983 Baran et al. 200/314
D344,930 S * 3/1994 Schaeffer D13/171
D362,841 S * 10/1995 Roza D13/171

D374,658 S * 10/1996 Bever et al. D13/177

D377,337 S * 1/1997 Schaeffer D13/171

D423,998 S * 10/2000 Decosse D13/174

D433,389 S * 11/2000 Decosse D13/174

* cited by examiner

Primary Examiner—Ralf Seifert

(74) *Attorney, Agent, or Firm*—Oblon, Spivak, McClelland,
Maier & Neustadt, P.C.

(57) **CLAIM**

The ornamental design for a button, as shown and described.

DESCRIPTION

FIG. 1 is a front elevational view of button embodying the new design thereof;

FIG. 2 is a rear elevational view thereof;

FIG. 3 is a left side elevational view thereof, the right side view being a mirror image of the view shown;

FIG. 4 is a top plan view thereof;

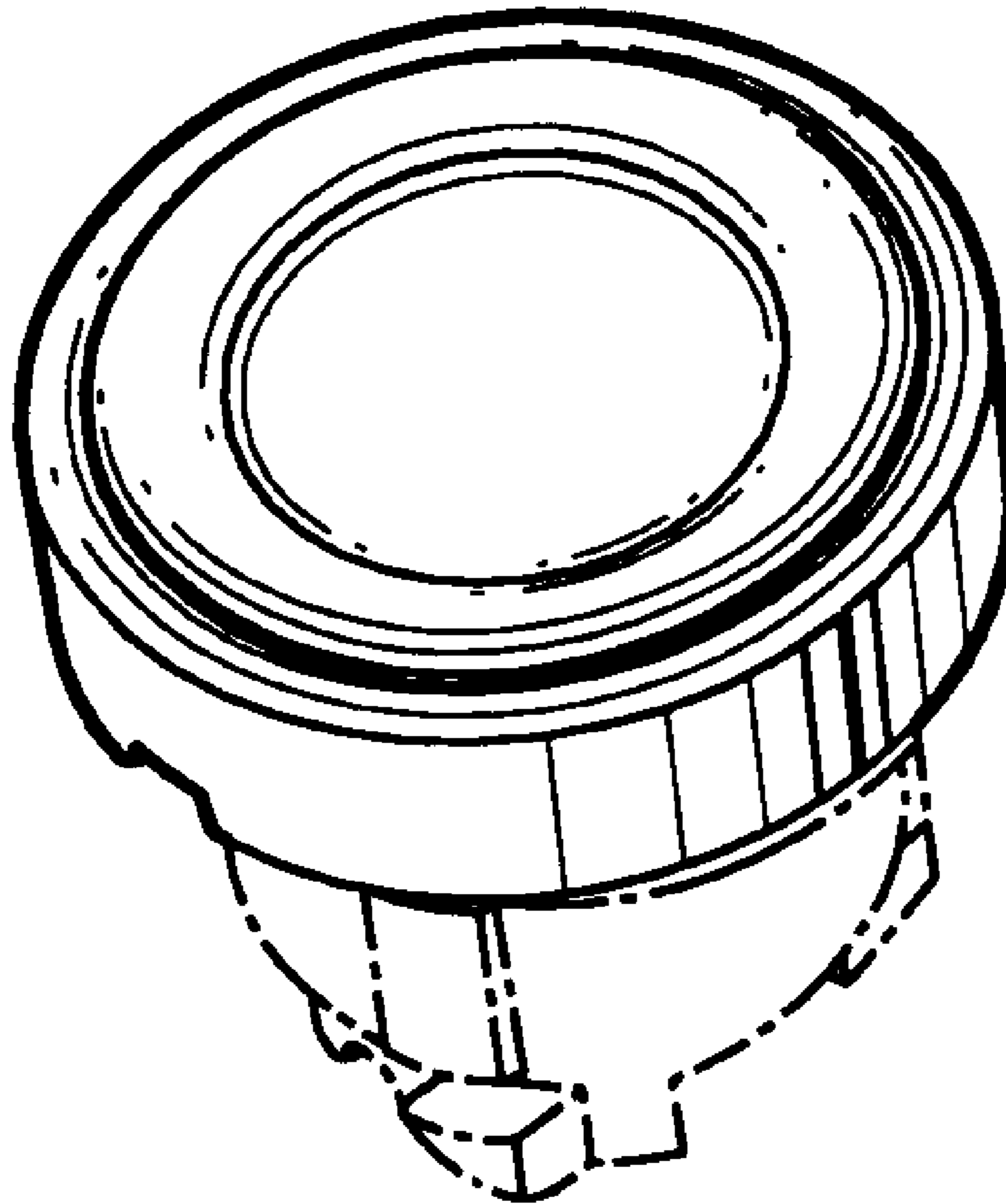
FIG. 5 is a bottom plan view thereof;

FIG. 6 is top, front, left perspective view thereof; and,

FIG. 7 is a bottom, rear, left perspective view thereof.

It being understood that the broken lines are for illustrative purposes only.

1 Claim, 4 Drawing Sheets



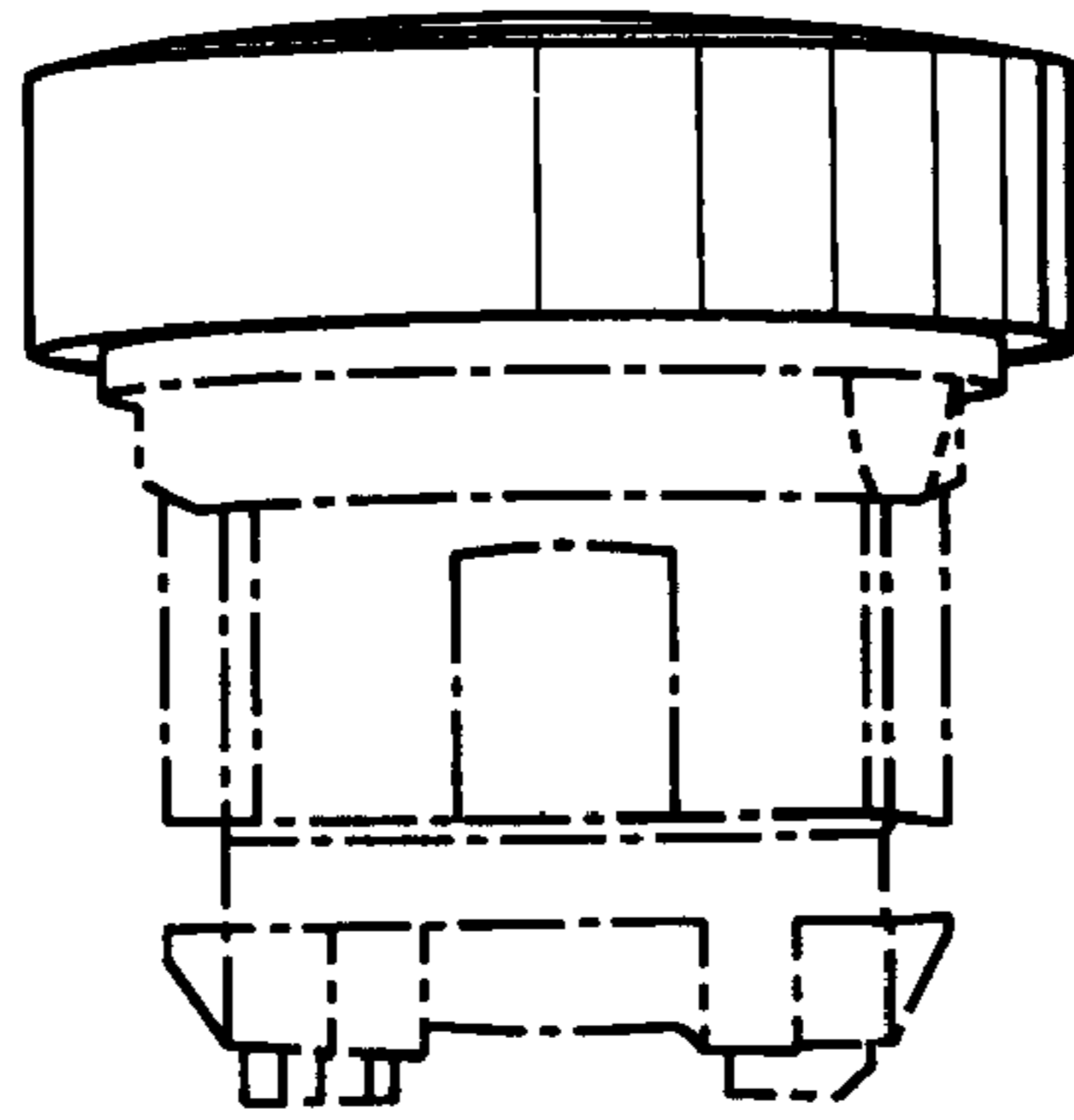


FIG. 1

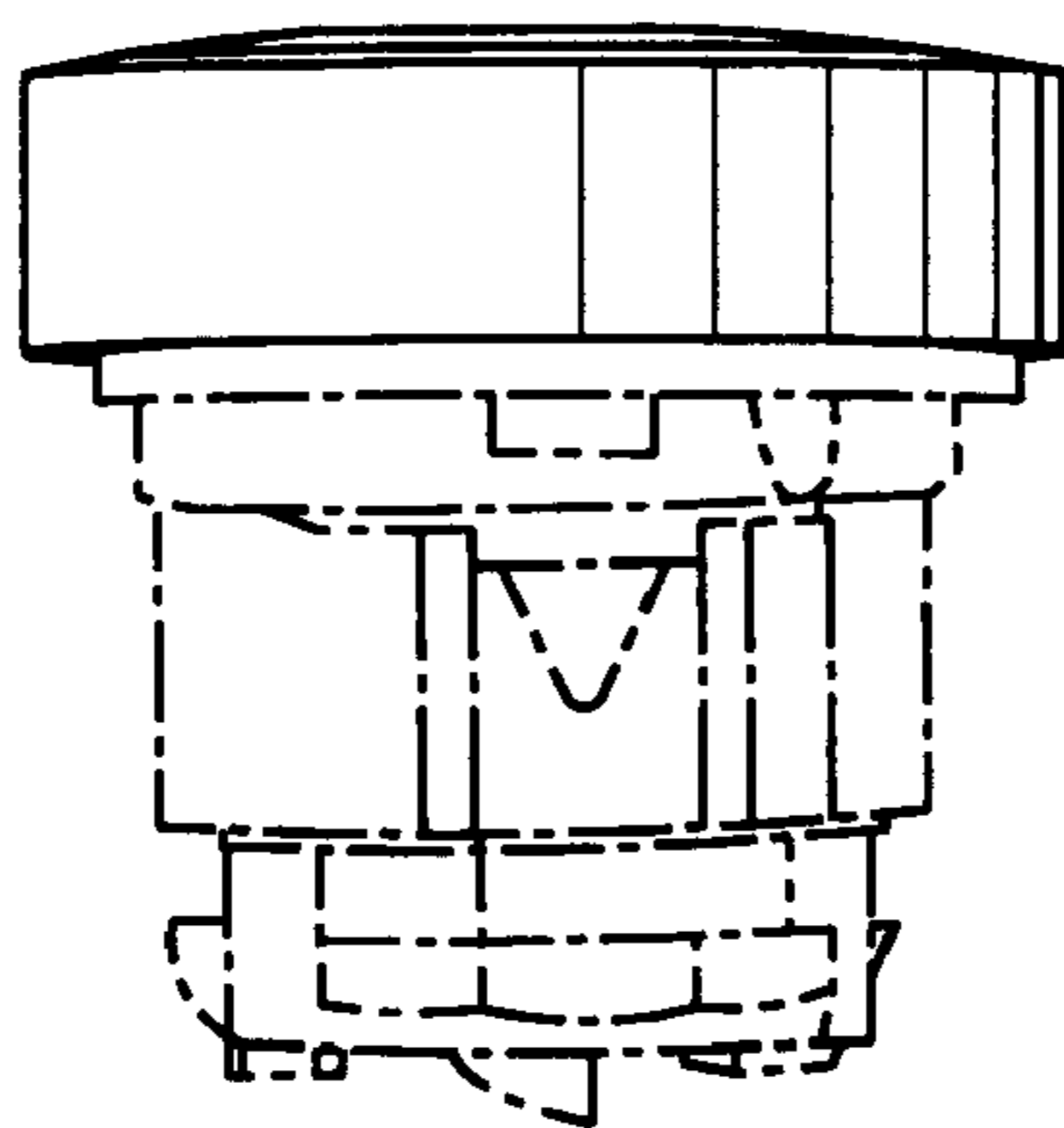


FIG. 2

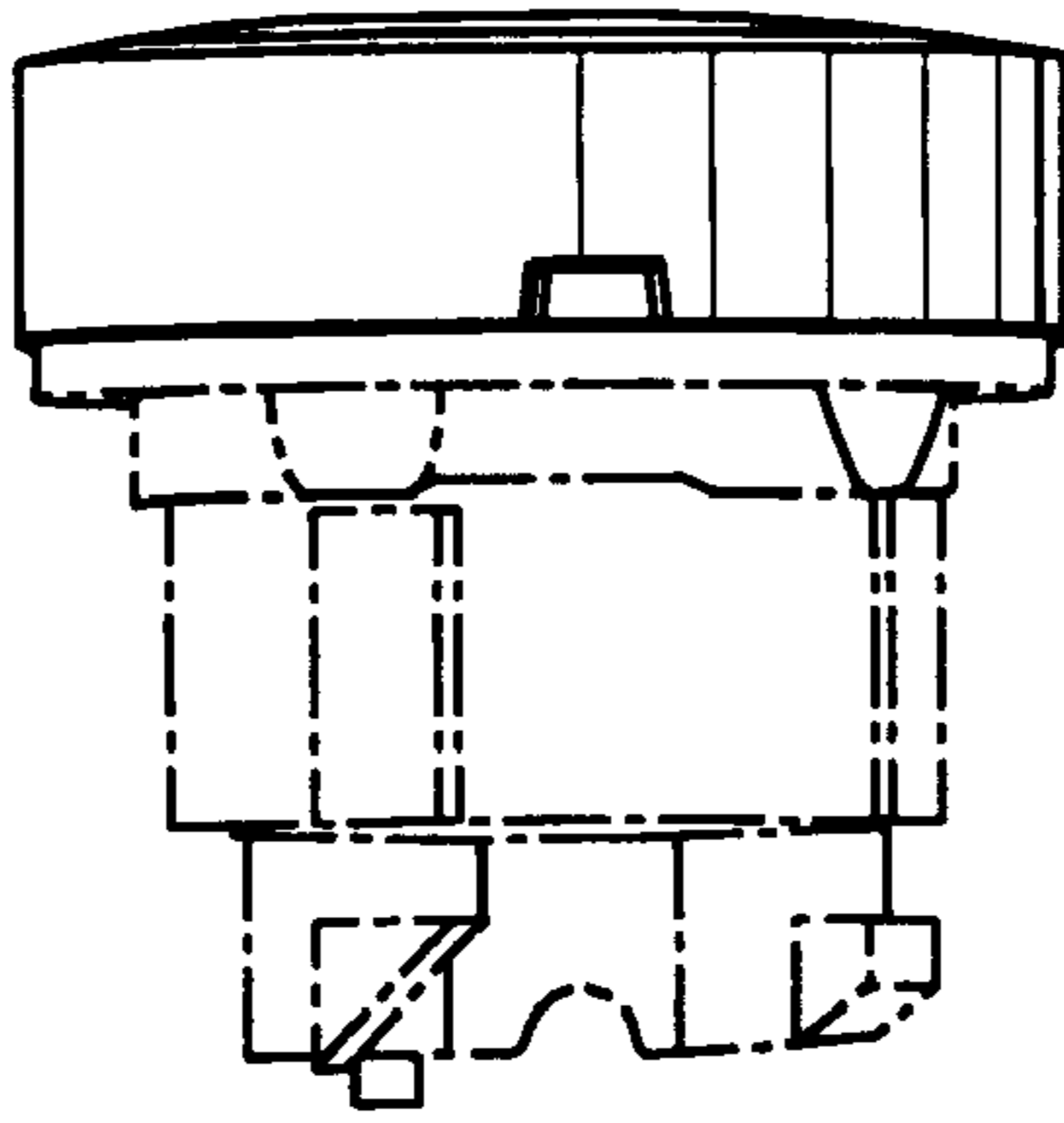


FIG. 3

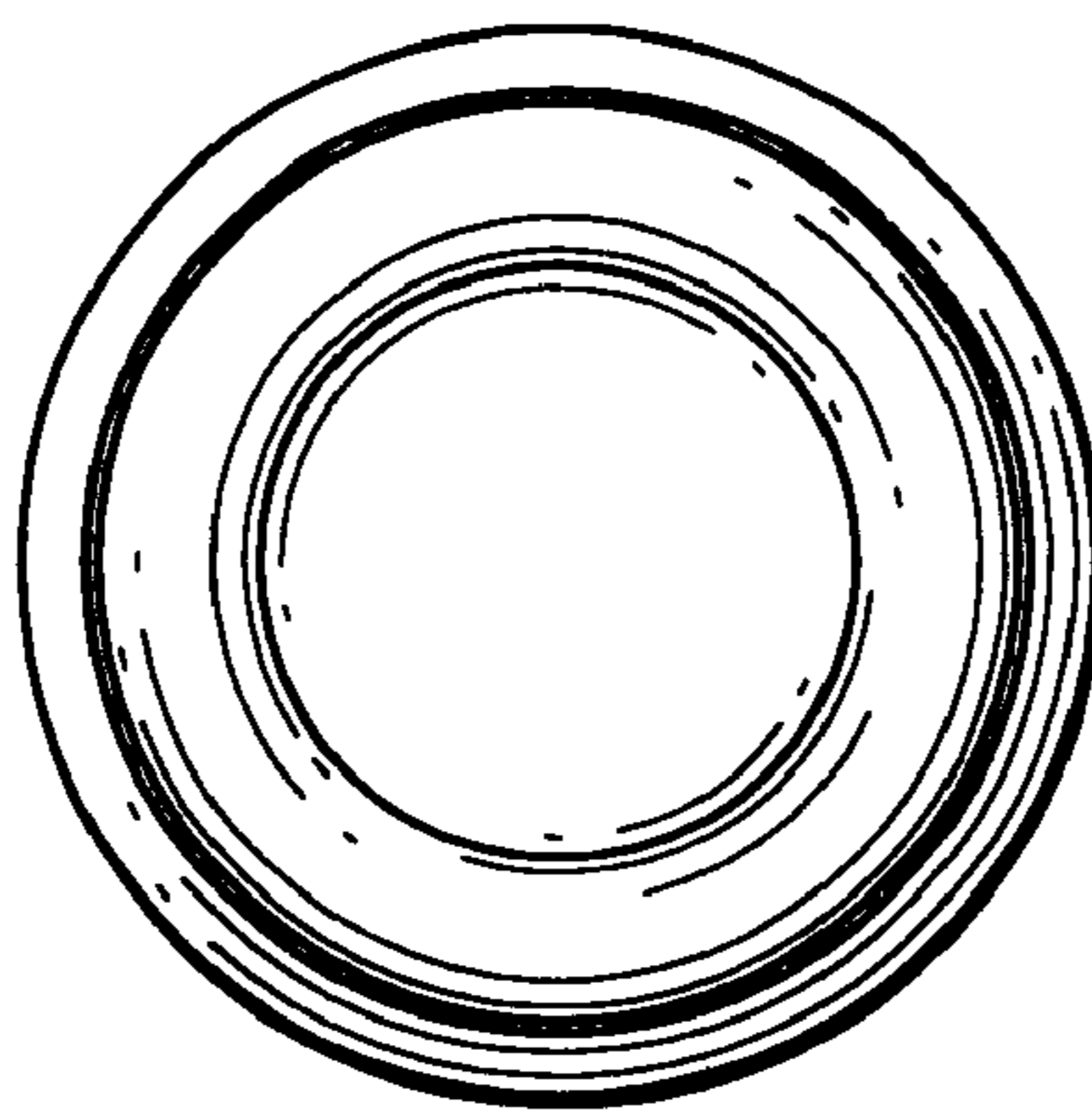


FIG. 4

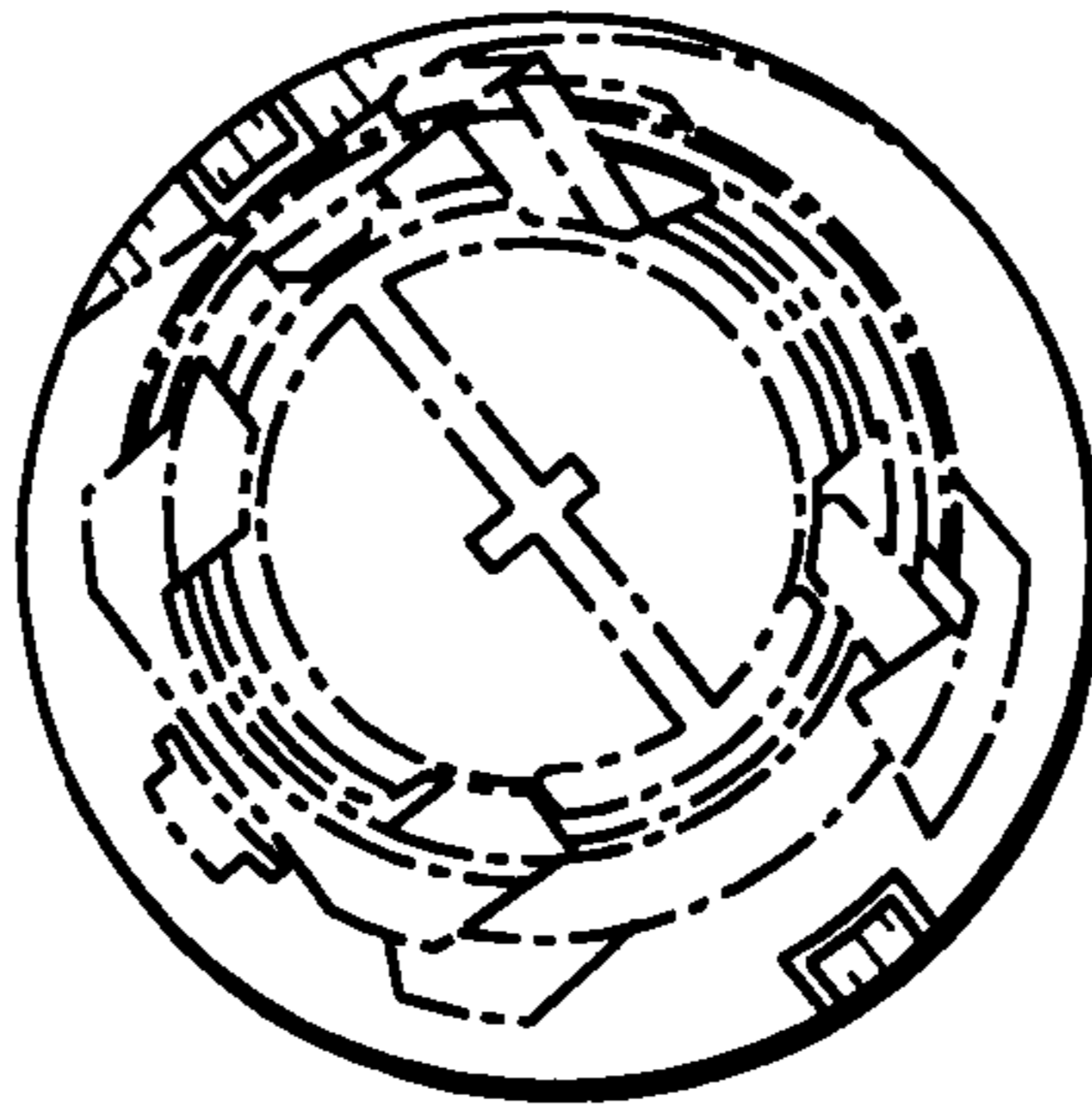


FIG. 5

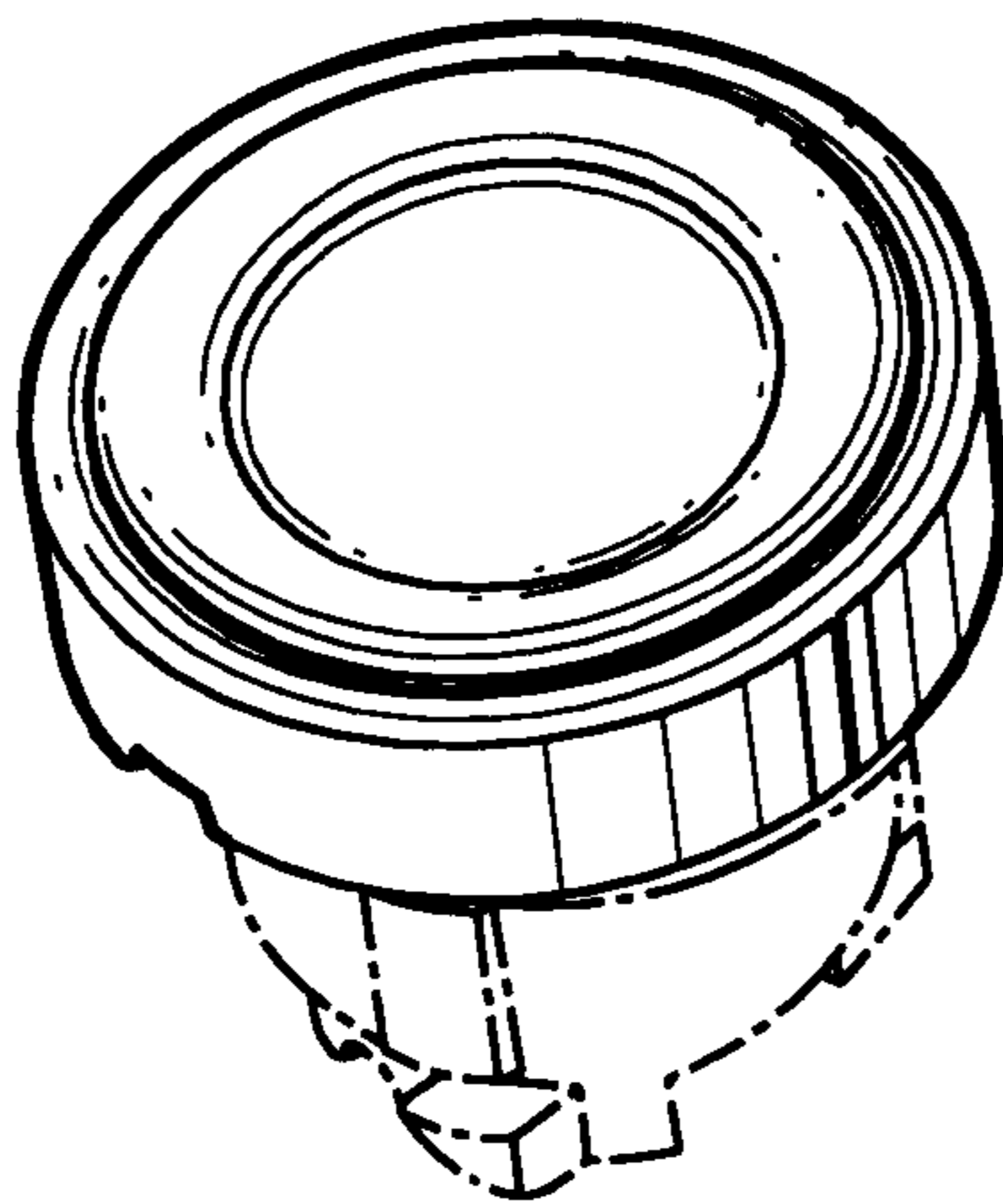


FIG. 6

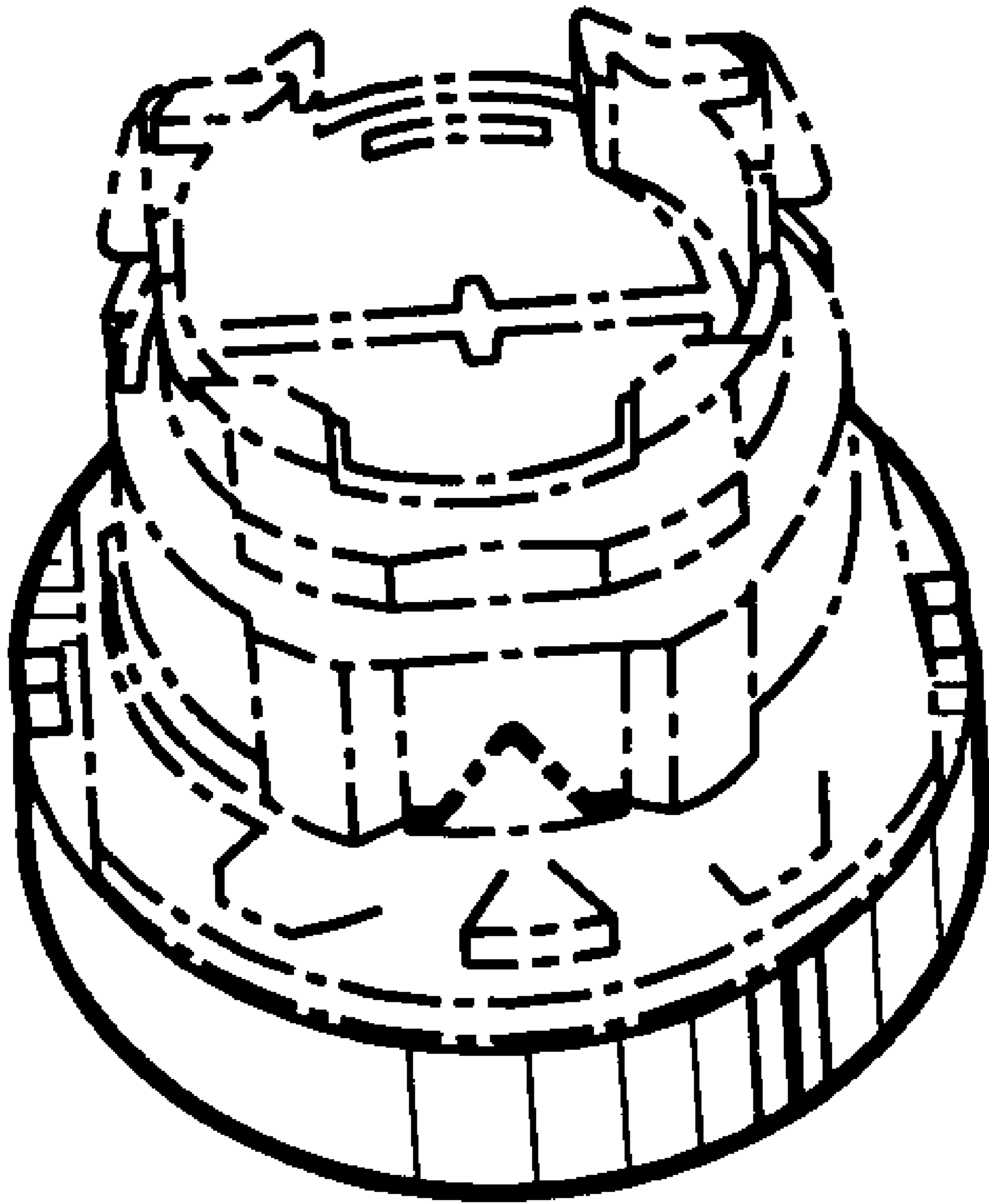


FIG. 7