



US00D469407S

(12) **United States Design Patent**  
**Wu**

(10) **Patent No.:** **US D469,407 S**

(45) **Date of Patent:** **\*\* Jan. 28, 2003**

(54) **ELECTRICAL CONNECTOR**

(75) Inventor: **Jerry Wu, Tu-Chen (TW)**

(73) Assignee: **Hon Hai Precision Ind. Co., Ltd.,  
Taipei Hsien (TW)**

(\*\*) Term: **14 Years**

(21) Appl. No.: **29/158,321**

(22) Filed: **Apr. 2, 2002**

(51) **LOC (7) Cl.** ..... **13-03**

(52) **U.S. Cl.** ..... **D13/147**

(58) **Field of Search** ..... D13/147; 439/79,  
439/571, 680, 701, 567, 101, 189

(56) **References Cited**

**U.S. PATENT DOCUMENTS**

|           |   |   |         |                      |       |         |
|-----------|---|---|---------|----------------------|-------|---------|
| 5,238,413 | A | * | 8/1993  | McCaffrey et al.     | ..... | 439/79  |
| 5,288,246 | A | * | 2/1994  | Whiteman, Jr. et al. | ....  | 439/571 |
| 5,314,357 | A | * | 5/1994  | Weidler              | ..... | 439/701 |
| 5,356,300 | A | * | 10/1994 | Costello et al.      | ..... | 439/101 |
| 5,443,403 | A | * | 8/1995  | Weidler et al.       | ..... | 439/701 |

|           |    |   |         |              |       |         |
|-----------|----|---|---------|--------------|-------|---------|
| 5,584,709 | A  | * | 12/1996 | Kiat         | ..... | 439/79  |
| D407,688  | S  | * | 4/1999  | Dague et al. | ..... | D13/147 |
| D417,195  | S  | * | 11/1999 | Dague et al. | ..... | D13/147 |
| 6,000,965 | A  | * | 12/1999 | Hsiao et al. | ..... | 439/567 |
| 6,361,372 | B1 | * | 3/2002  | Chiang       | ..... | 439/680 |

\* cited by examiner

*Primary Examiner*—Joel Sincavage

(74) *Attorney, Agent, or Firm*—Wei Te Chung

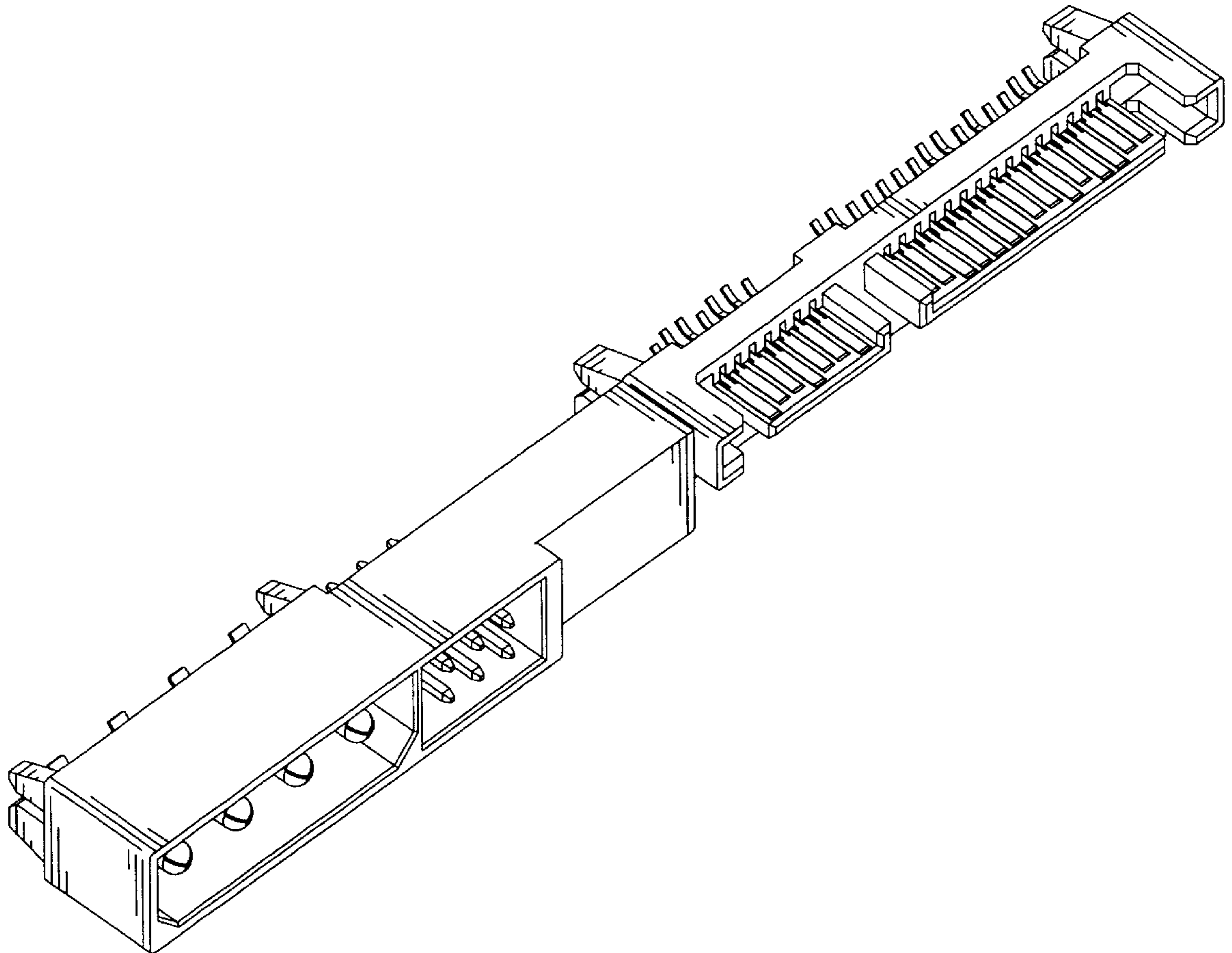
(57) **CLAIM**

The ornamental design for an electrical connector, as shown.

**DESCRIPTION**

FIG. 1 is a front, top and left side perspective view of an electrical connector showing my new design;  
 FIG. 2 is a front elevational view thereof;  
 FIG. 3 is a rear elevational view thereof;  
 FIG. 4 is a left side elevational view thereof;  
 FIG. 5 is a right side elevational view thereof;  
 FIG. 6 is a top plan view thereof; and,  
 FIG. 7 is a bottom plan view thereof.

**1 Claim, 4 Drawing Sheets**



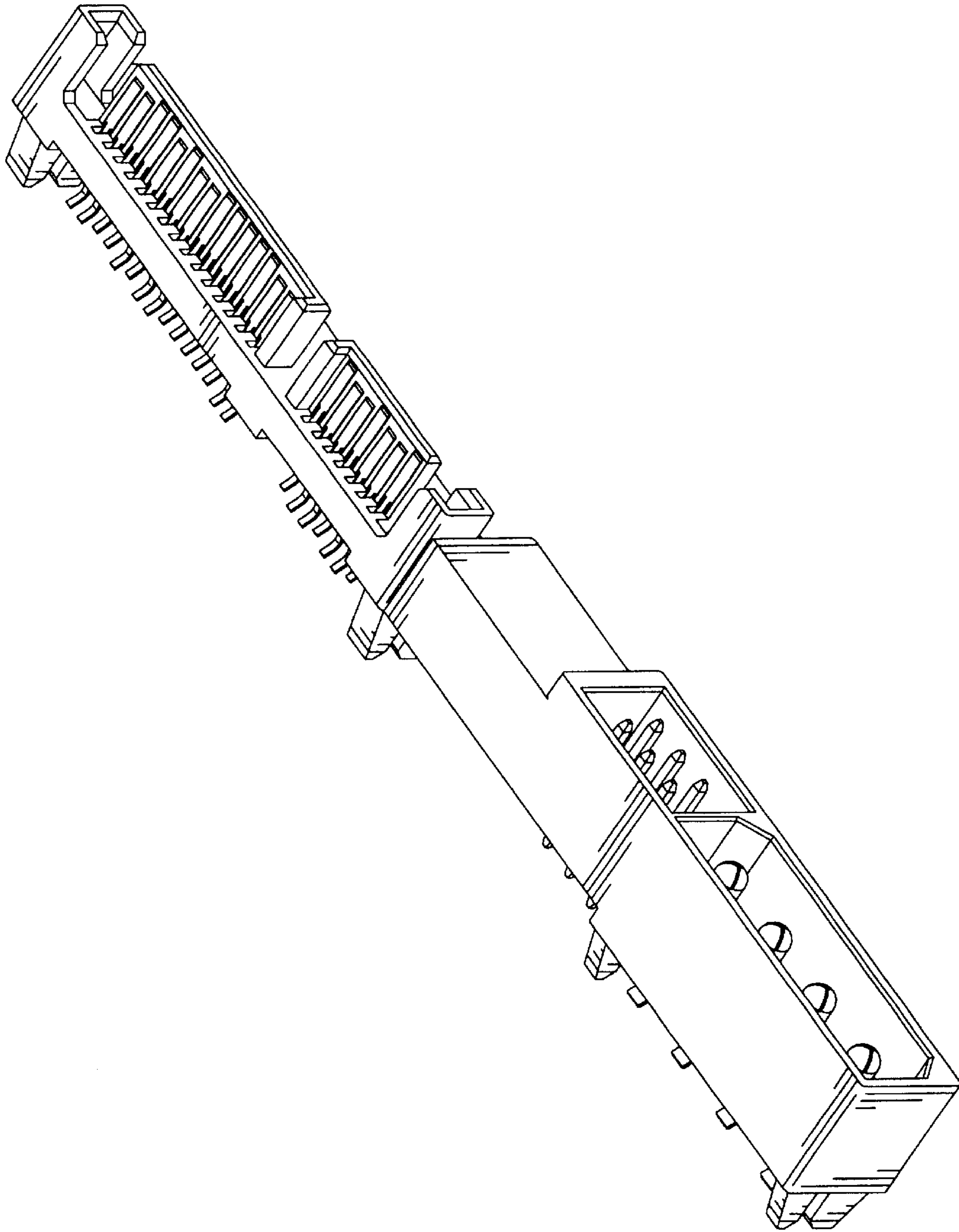


FIG. 1

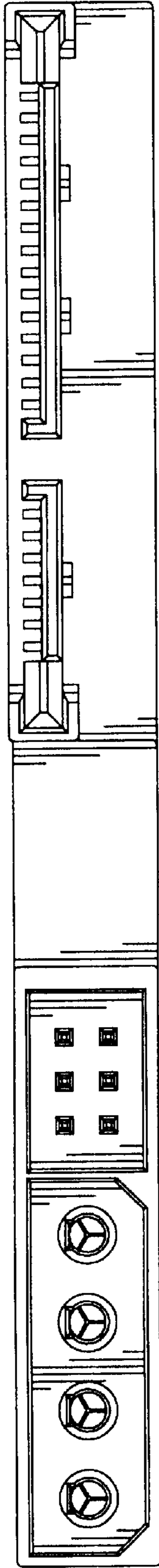


FIG. 2

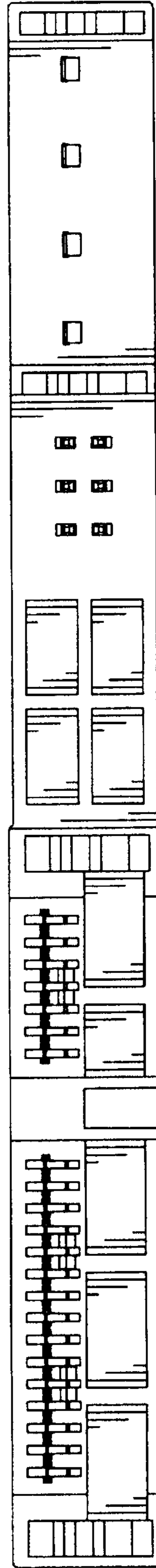


FIG. 3

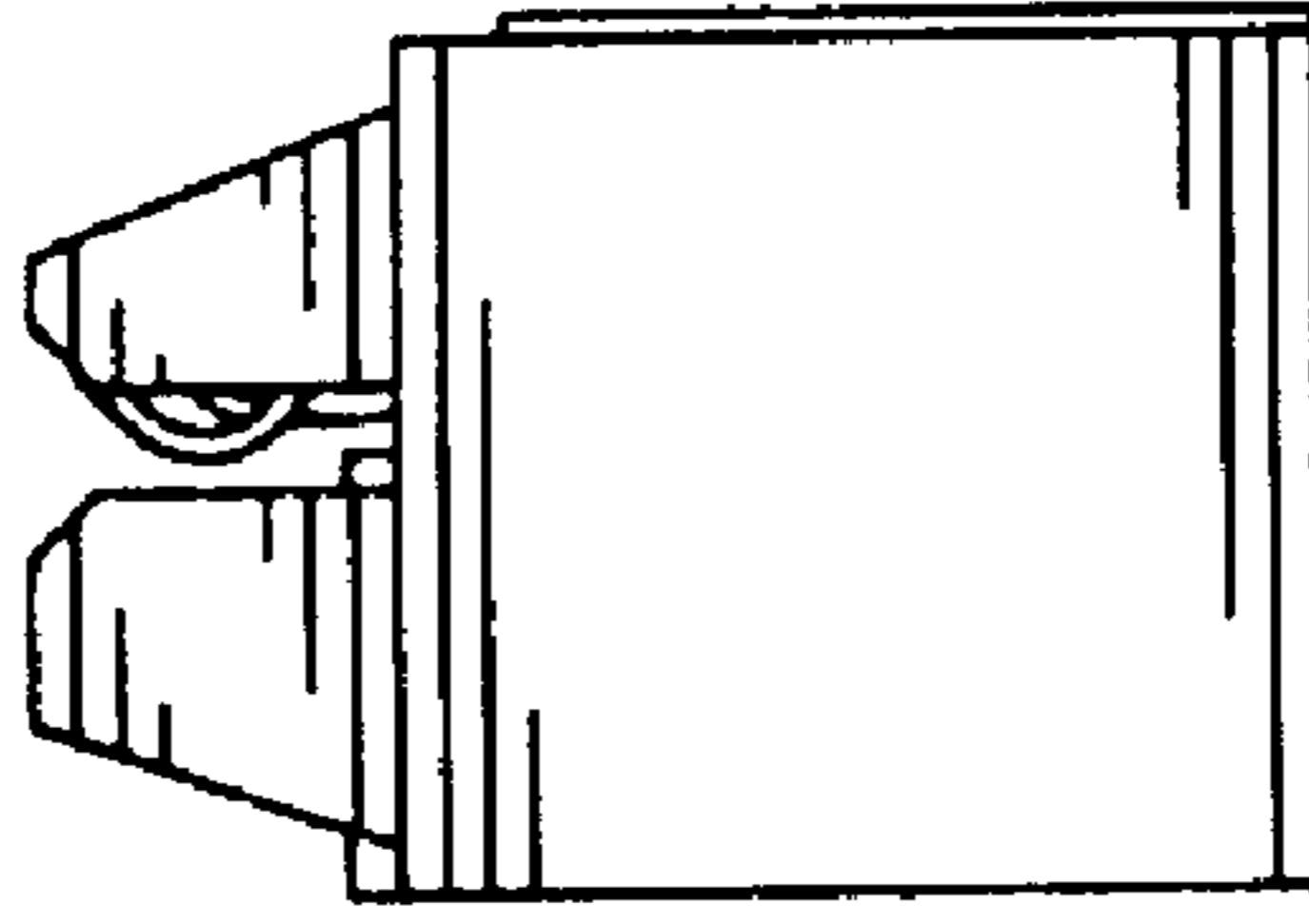


FIG. 4

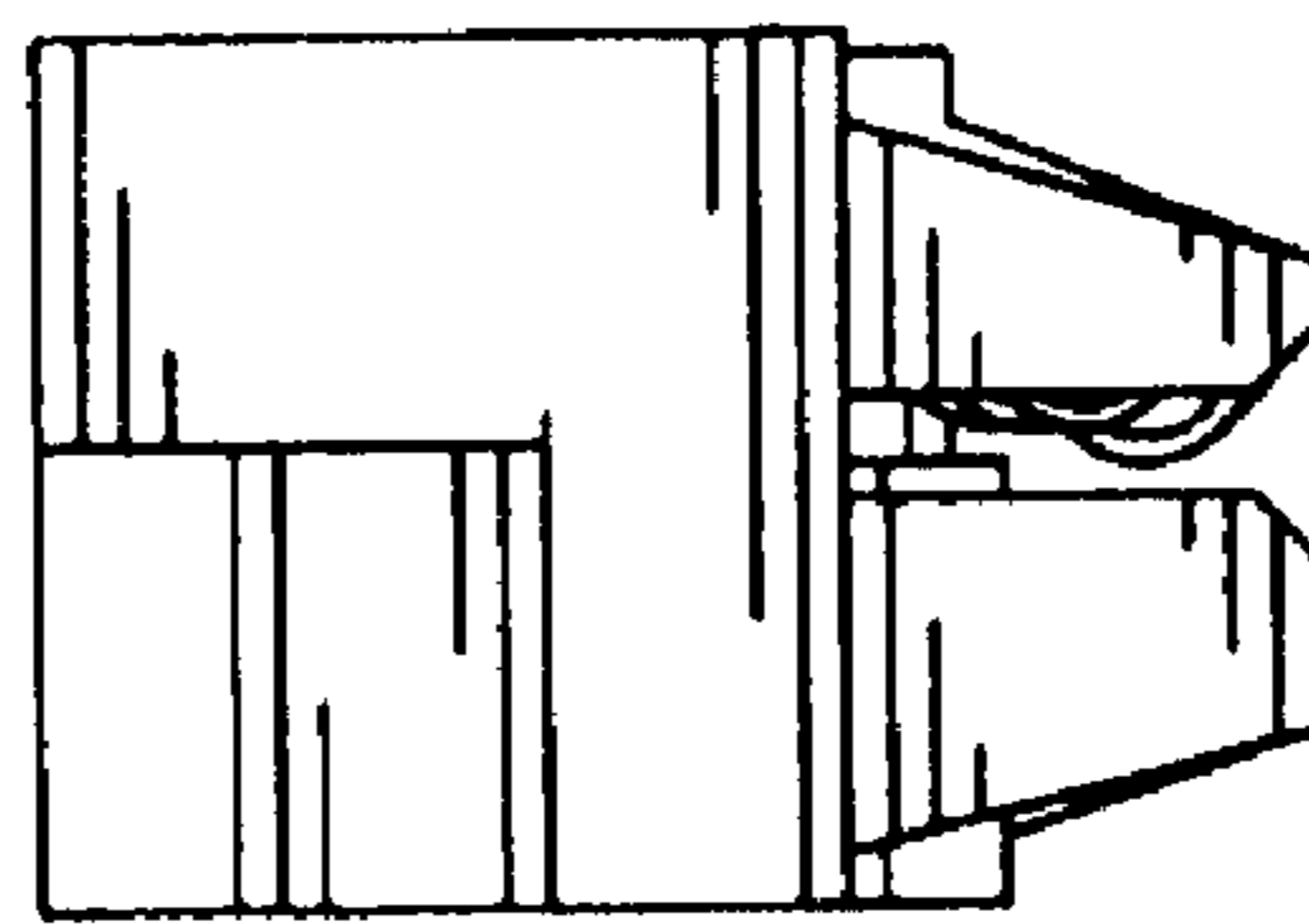


FIG. 5

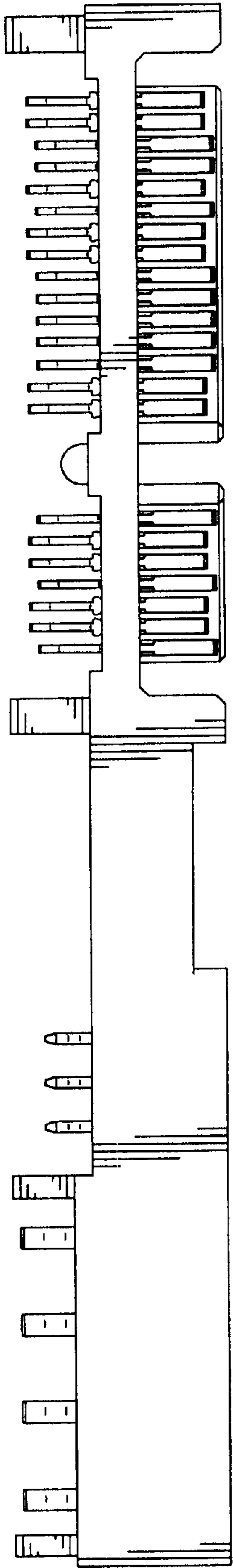


FIG. 6

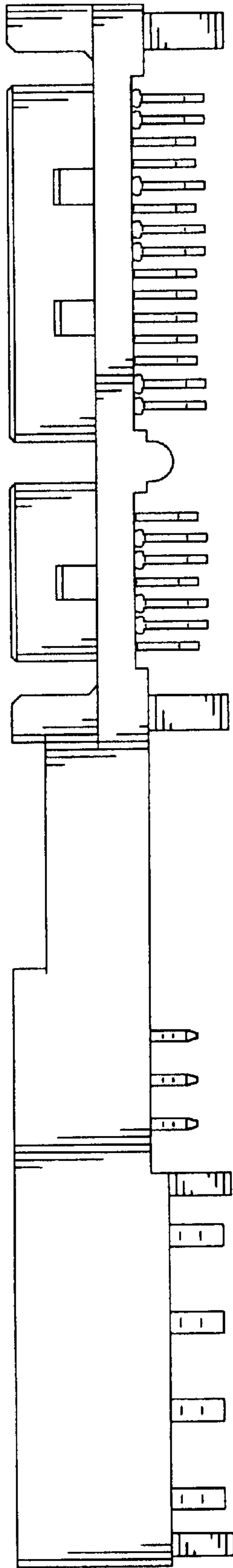


FIG. 7