



US00D469406S

(12) **United States Design Patent**
Kato et al.

(10) **Patent No.:** **US D469,406 S**

(45) **Date of Patent:** **** Jan. 28, 2003**

(54) **INTERFACE CONNECTOR RECEPTACLE**

(75) Inventors: **Yoshikazu Kato**, Tokyo (JP); **Kiyokazu Nishimae**, Tokyo (JP)

(73) Assignee: **Honda Tsushin Kogyo Co., Ltd.**, Tokyo (JP)

(**) Term: **14 Years**

(21) Appl. No.: **29/150,656**

(22) Filed: **Nov. 28, 2001**

(30) **Foreign Application Priority Data**

Sep. 14, 2001 (JP) 2001-027186

(51) **LOC (7) Cl.** **13-03**

(52) **U.S. Cl.** **D13/147**

(58) **Field of Search** D13/147; 439/79, 439/607, 701

(56) **References Cited**

U.S. PATENT DOCUMENTS

- 5,104,326 A * 4/1992 Smith et al. 439/79 X
- 5,547,398 A * 8/1996 Ichikawa et al. 439/607
- D407,690 S * 4/1999 Lai et al. D13/147
- D411,982 S * 7/1999 Huang D13/147
- 5,975,917 A * 11/1999 Wang et al. 439/79

- 6,012,931 A * 1/2000 Michaux 439/79
- 6,065,979 A * 5/2000 Lai et al. 439/79
- 6,203,374 B1 * 3/2001 Huang et al. 439/607
- 6,203,381 B1 * 3/2001 Lai et al. 439/701
- 6,210,225 B1 * 4/2001 Cai et al. 439/607
- D453,500 S * 2/2002 Nakatomi D13/147

* cited by examiner

Primary Examiner—Joel Sincavage

(74) *Attorney, Agent, or Firm*—Rader, Fishman & Grauer PLLC

(57) **CLAIM**

The ornamental design for interface connector receptacle, as shown and described.

DESCRIPTION

FIG. 1 is a front elevation view of the interface connector receptacle showing our new design;
 FIG. 2 is a top plan view thereof;
 FIG. 3 is a right side elevational view thereof, the left side elevational view being a mirror image;
 FIG. 4 is a bottom plan view thereof;
 FIG. 5 is a rear elevational view thereof;
 FIG. 6 is a perspective view thereof; and,
 FIG. 7 is a another angle of perspective view thereof.

1 Claim, 3 Drawing Sheets

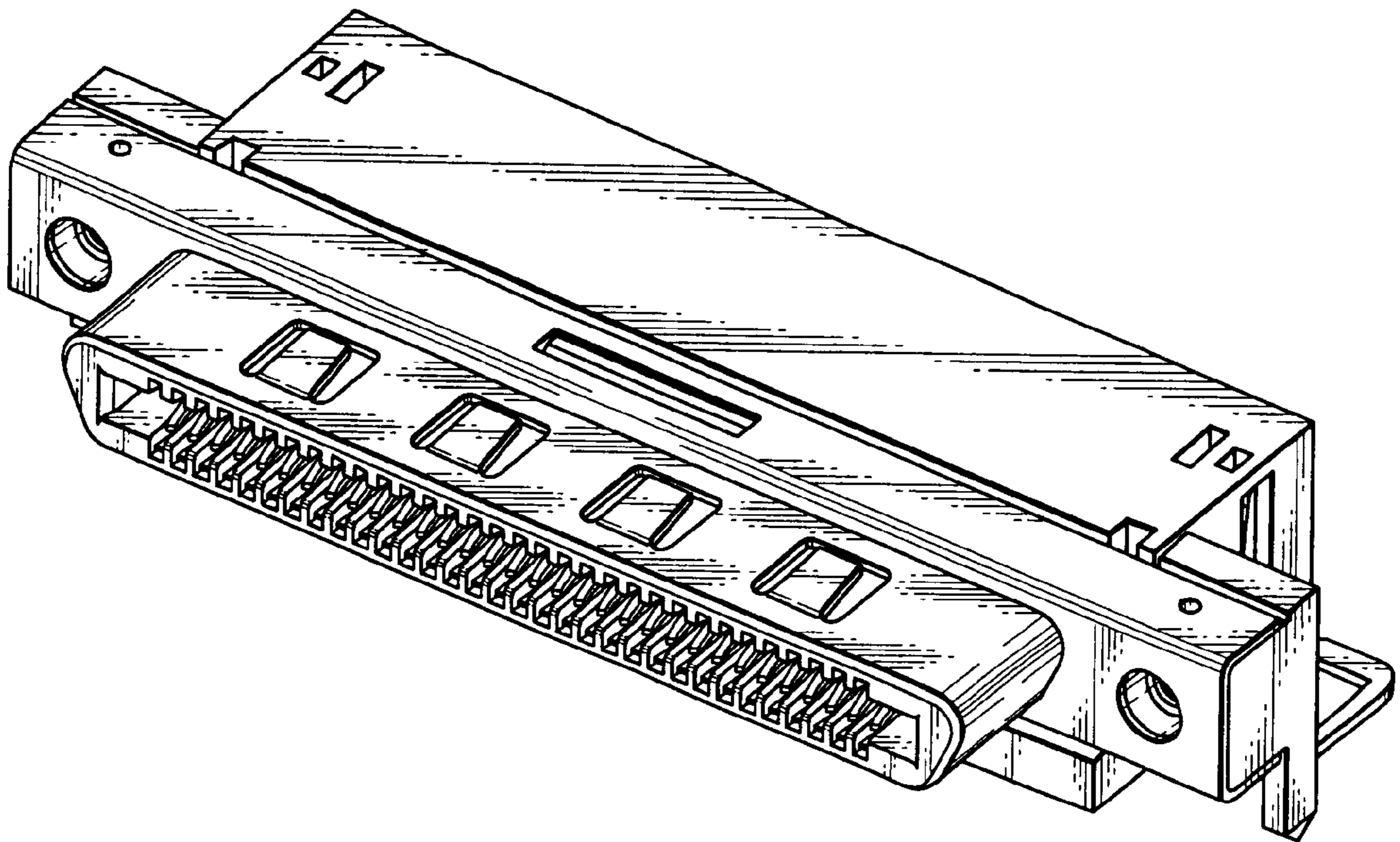


Fig. 1

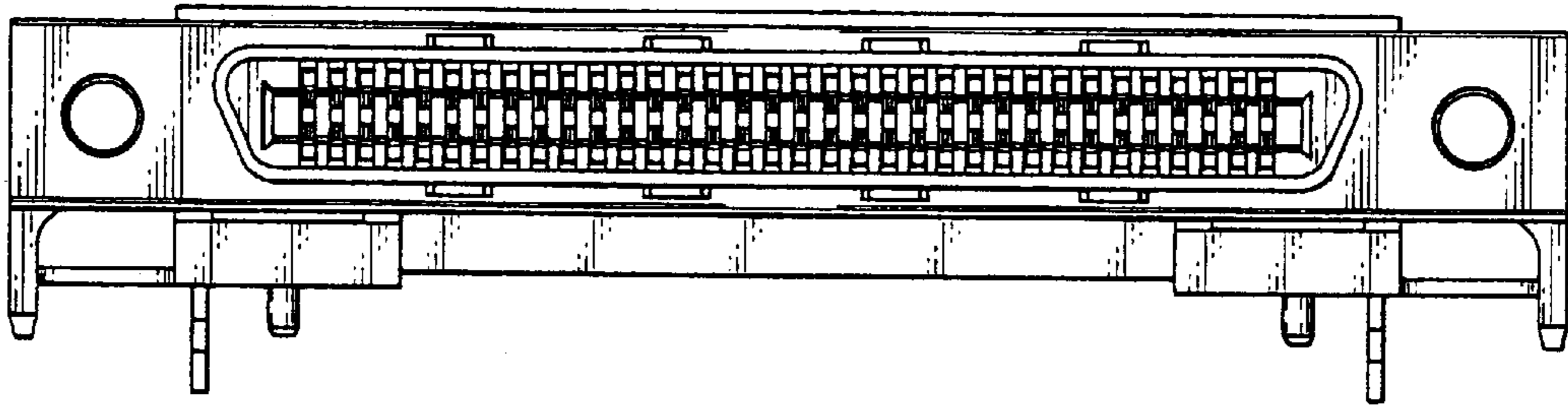


Fig. 2

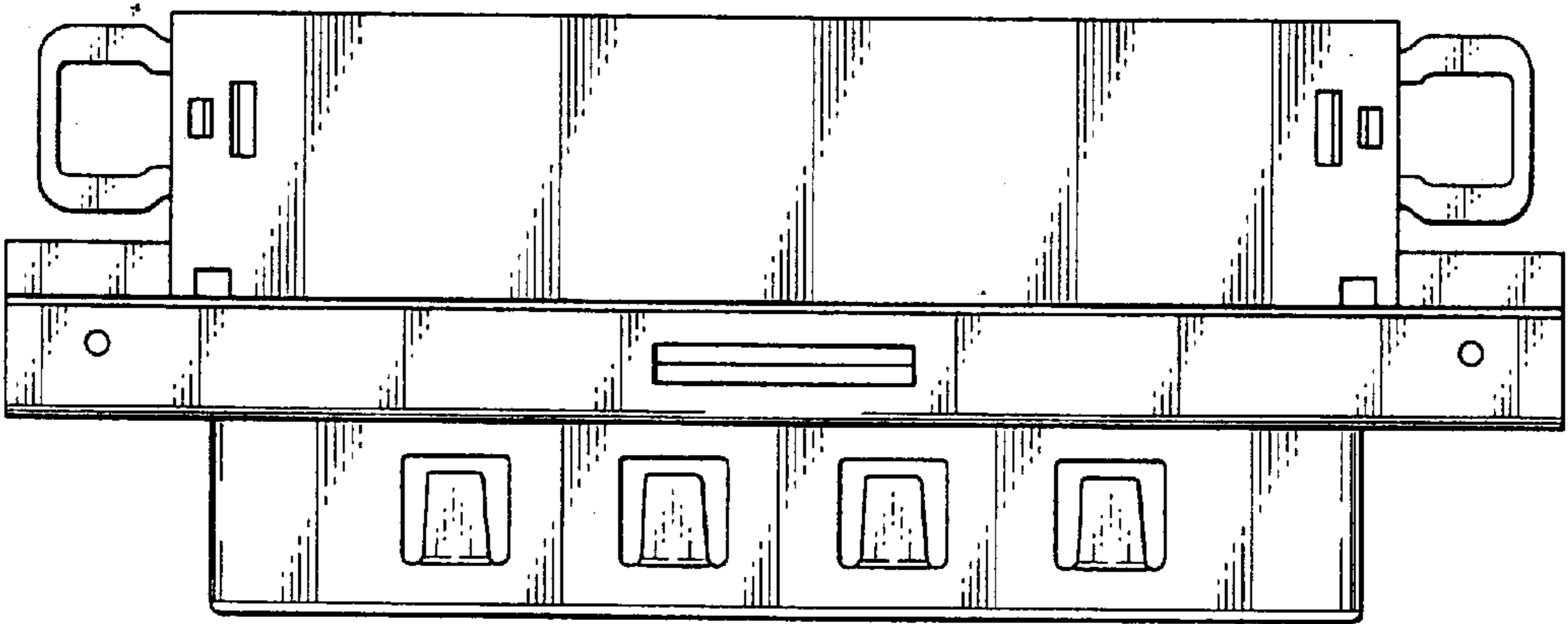


Fig. 3

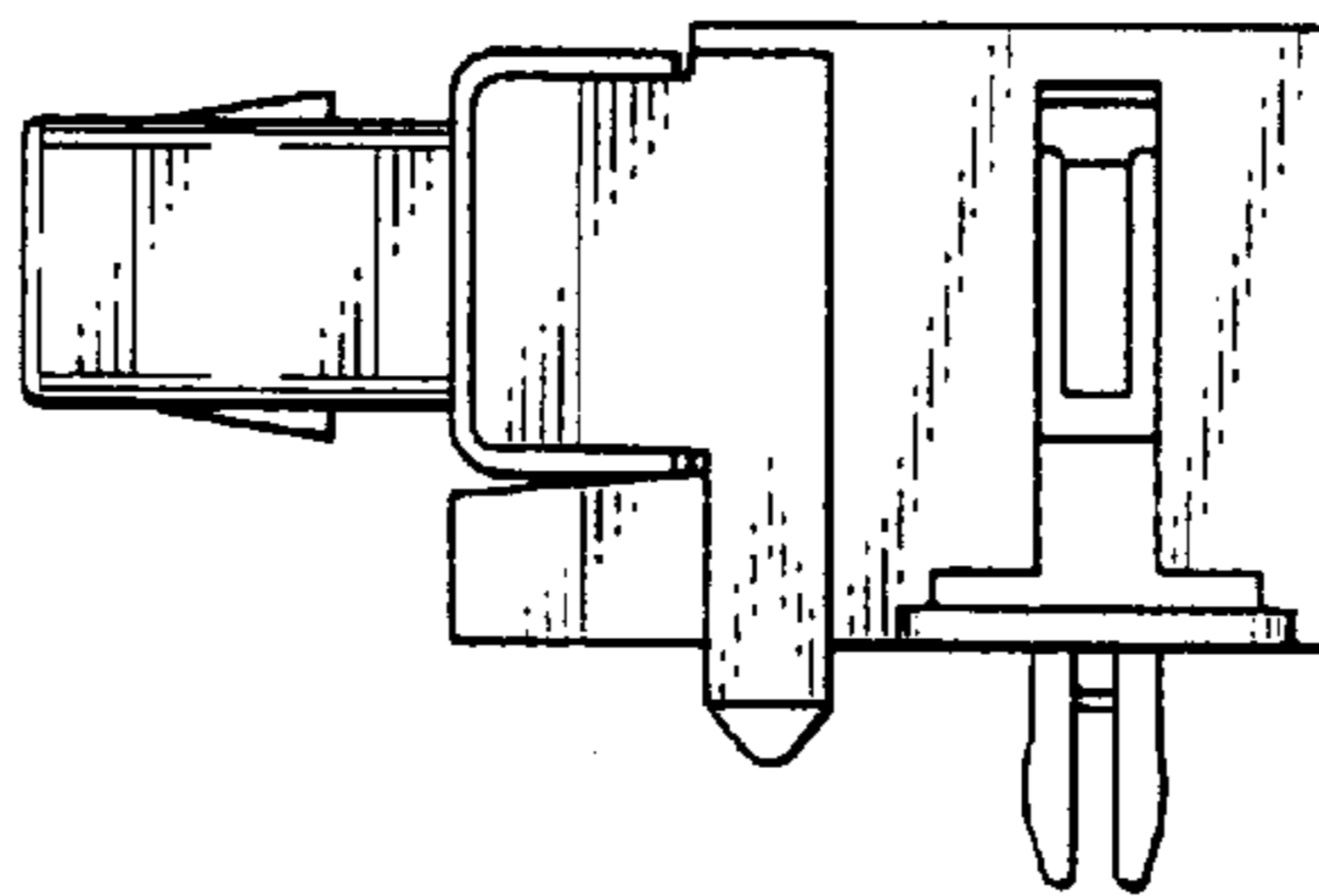


Fig. 4

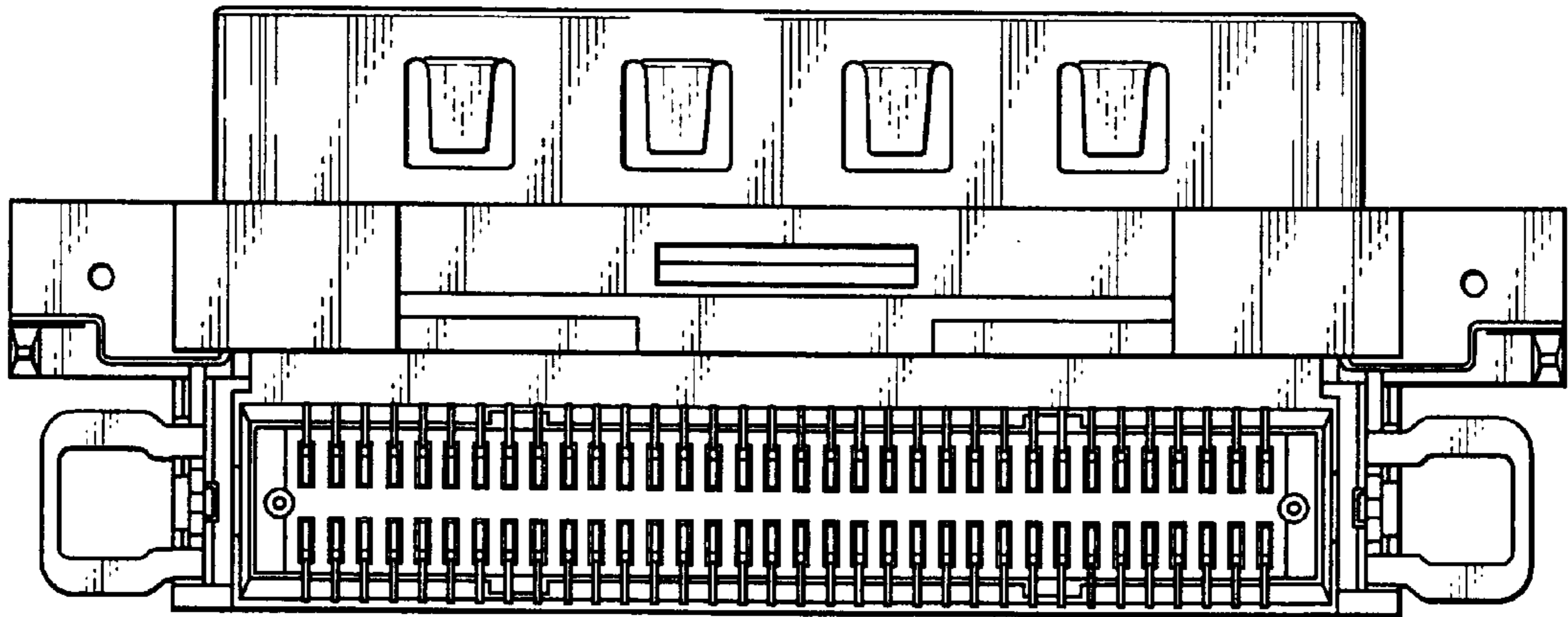


Fig. 5

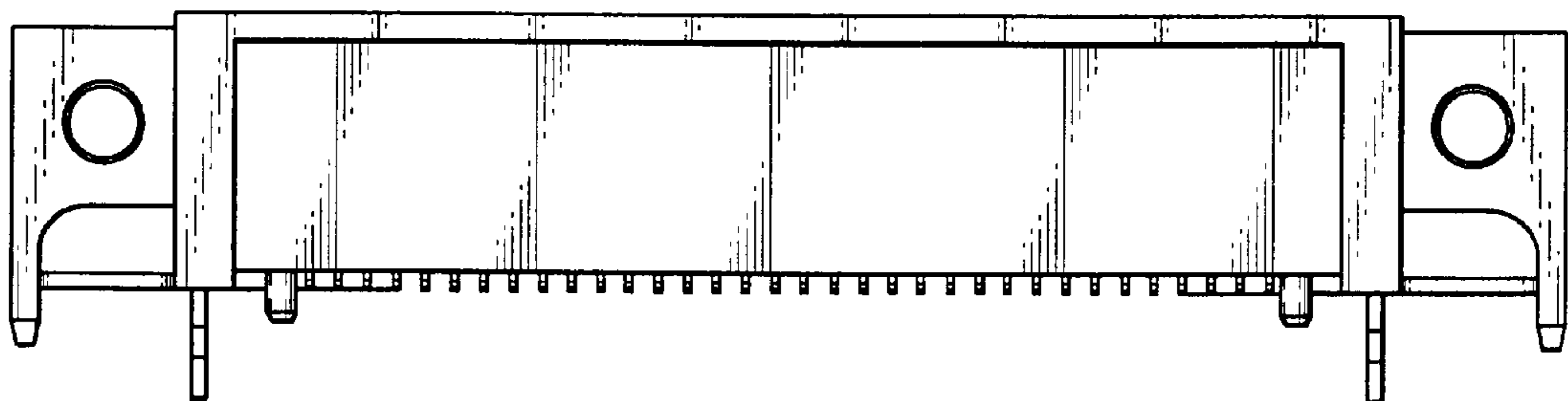


Fig. 6

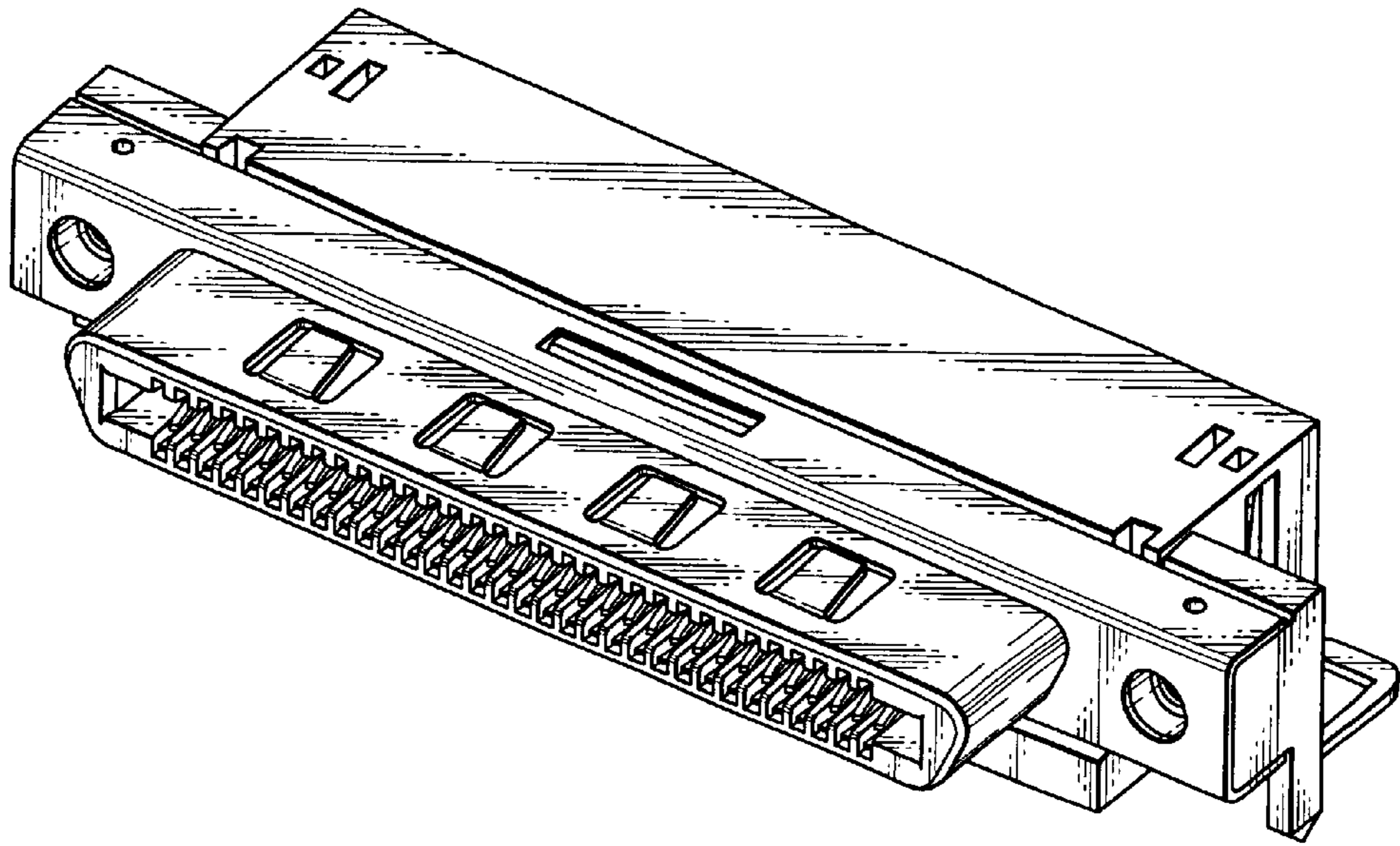


Fig. 7

