



US00D469405S

(12) **United States Design Patent**  
**Nieto et al.**

(10) **Patent No.: US D469,405 S**

(45) **Date of Patent: \*\* Jan. 28, 2003**

(54) **FIVE-WAY POWER OUTLET**

(76) Inventors: **Germán Nieto**, 1306 E. Hawthorne Cir., Hollywood, FL (US) 33021; **Silvia Ximena Nieto**, 1306 E. Hawthorne Cir., Hollywood, FL (US) 33021

(\*\*) Term: **14 Years**

(21) Appl. No.: **29/155,740**

(22) Filed: **Feb. 15, 2002**

(51) **LOC (7) Cl.** ..... **13-03**

(52) **U.S. Cl.** ..... **D13/139.6**

(58) **Field of Search** ..... D13/123, 133, D13/137.1-137.4, 139.1-139.8; 174/48, 49, 53-57; 191/12 R, 12.4; 361/614; 439/373, 528, 535, 536, 538, 650

(56) **References Cited**

**U.S. PATENT DOCUMENTS**

2,500,987 A \* 3/1950 Harpster ..... 439/652

\* cited by examiner

*Primary Examiner*—Robert M. Spear

(57) **CLAIM**

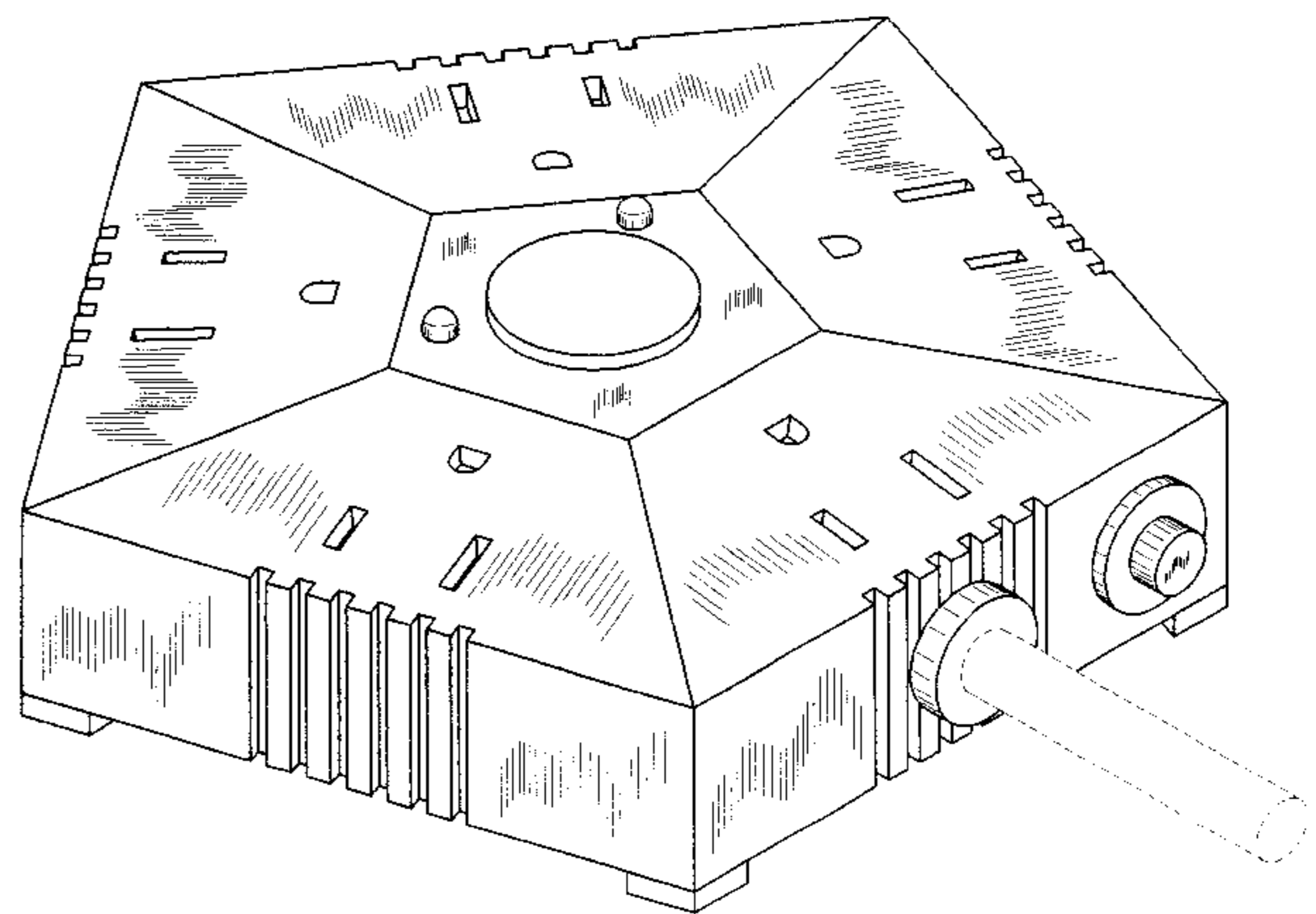
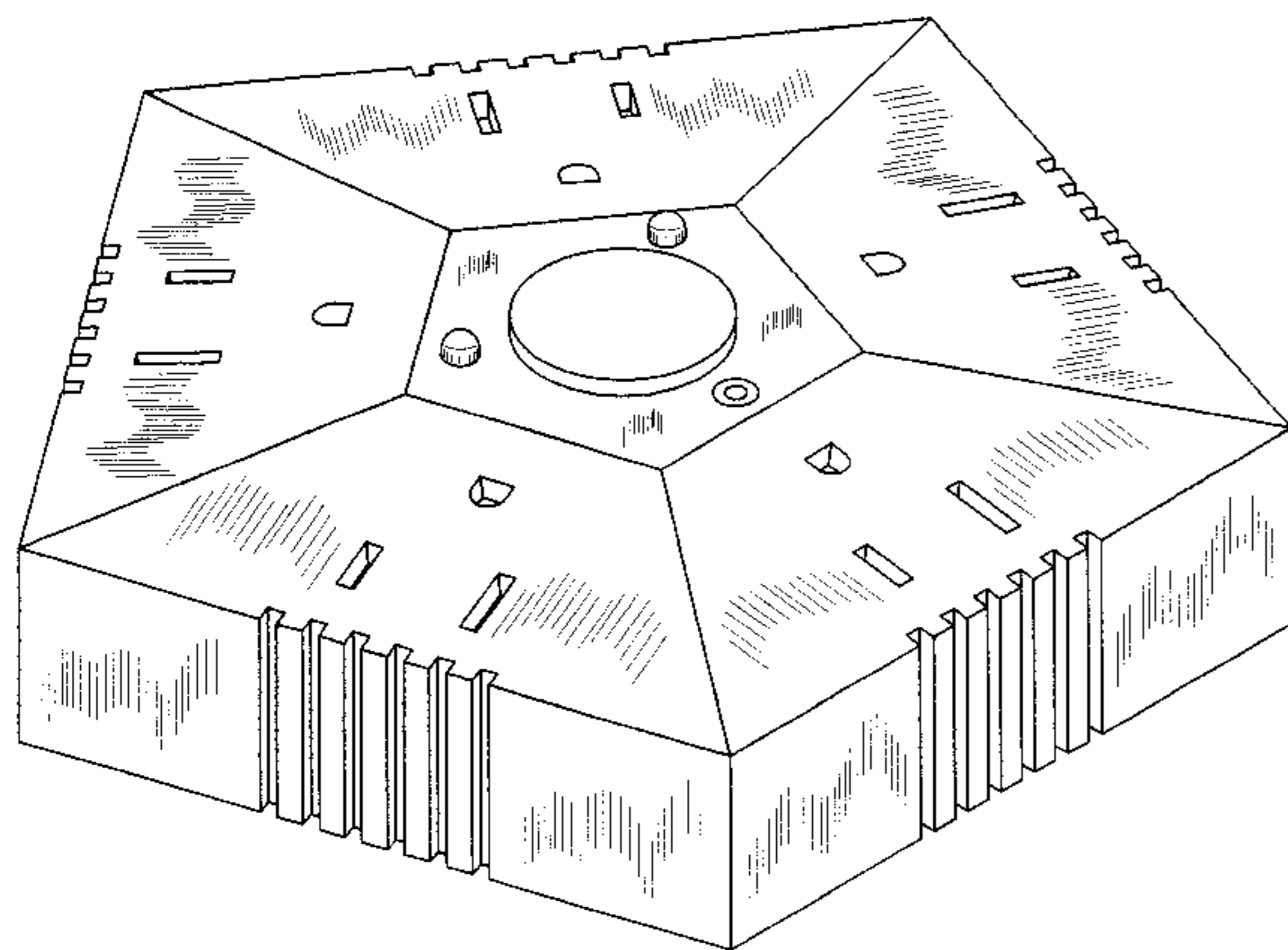
The ornamental design for a five-way power outlet, as shown and described.

**DESCRIPTION**

FIG. 1 is a front elevational view of a five-way power outlet showing our new design;  
FIG. 2 is a bottom plan view thereof;  
FIG. 3 is a left side elevational view thereof,  
FIG. 4 is a right side elevational view thereof;  
FIG. 5 is a top view thereof;  
FIG. 6 is a rear elevational view thereof;  
FIG. 7 is a perspective view thereof;  
FIG. 8 is a front elevational view of a second embodiment of a five-way power outlet embodying our new design;  
FIG. 9 is a bottom plan view thereof;  
FIG. 10 is a left side elevational view thereof.  
FIG. 11 is a right side elevational view thereof;  
FIG. 12 is a bottom plan view thereof;  
FIG. 13 is a rear elevational view thereof; and,  
FIG. 14 is a perspective view thereof.

The broken lines are shown for illustrative purposes only and form no part of the claimed design.

**1 Claim, 14 Drawing Sheets**



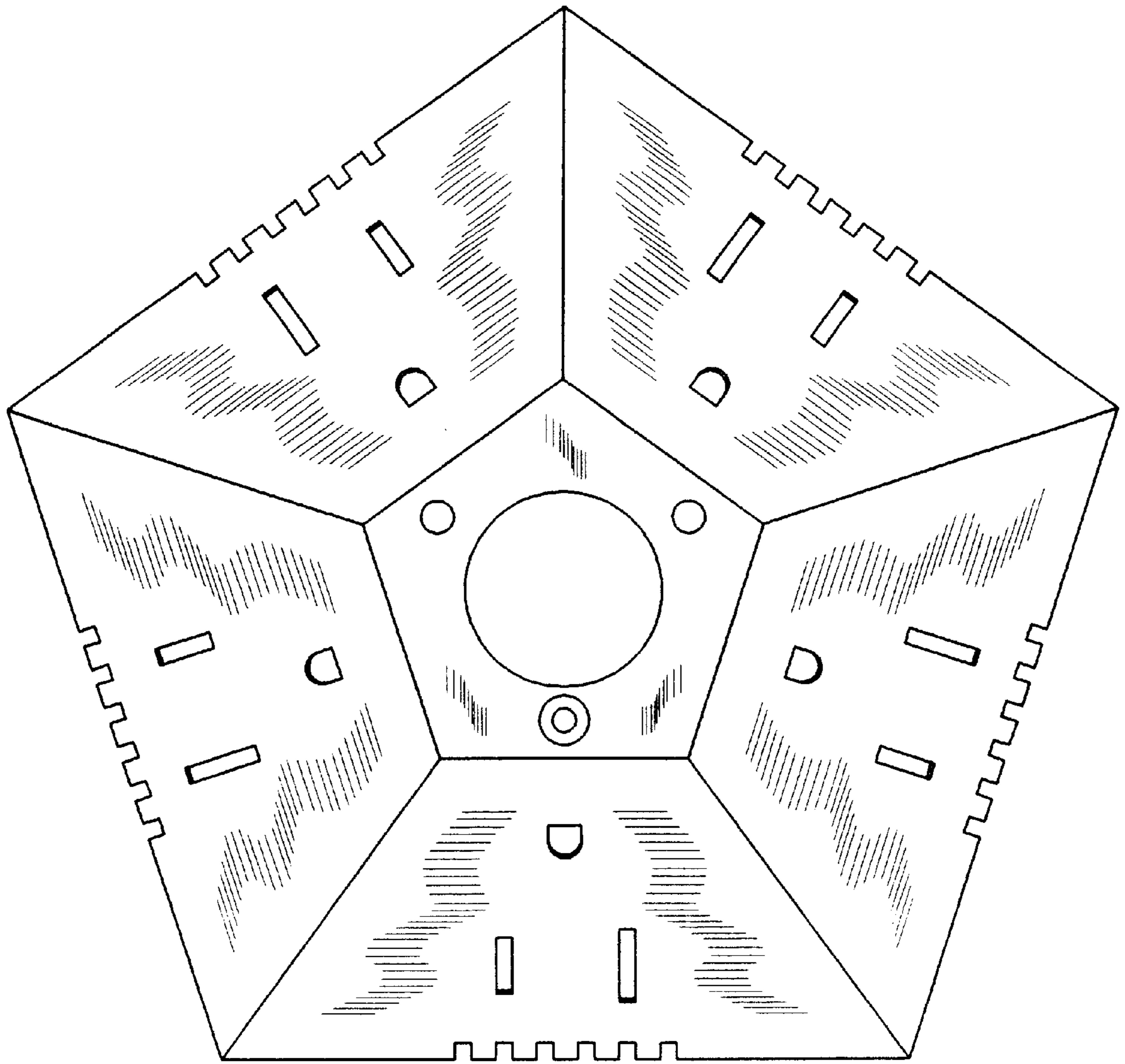


FIG 1

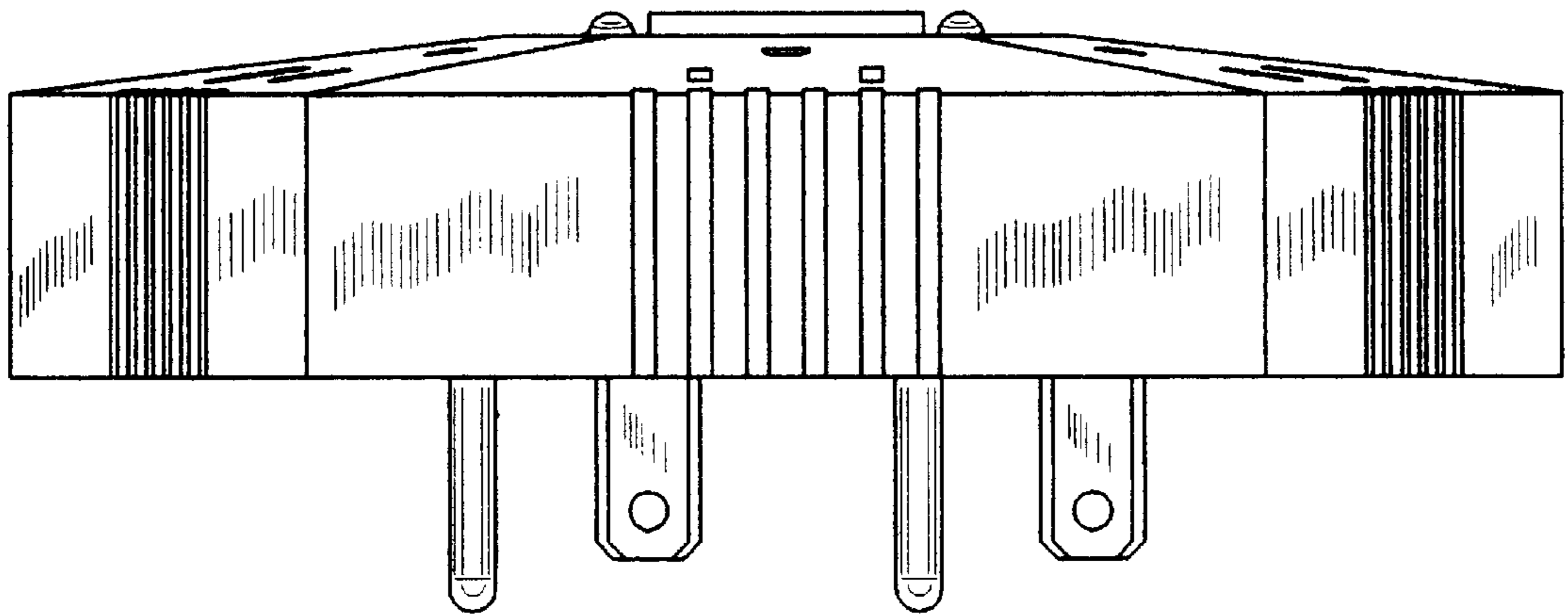


FIG 2

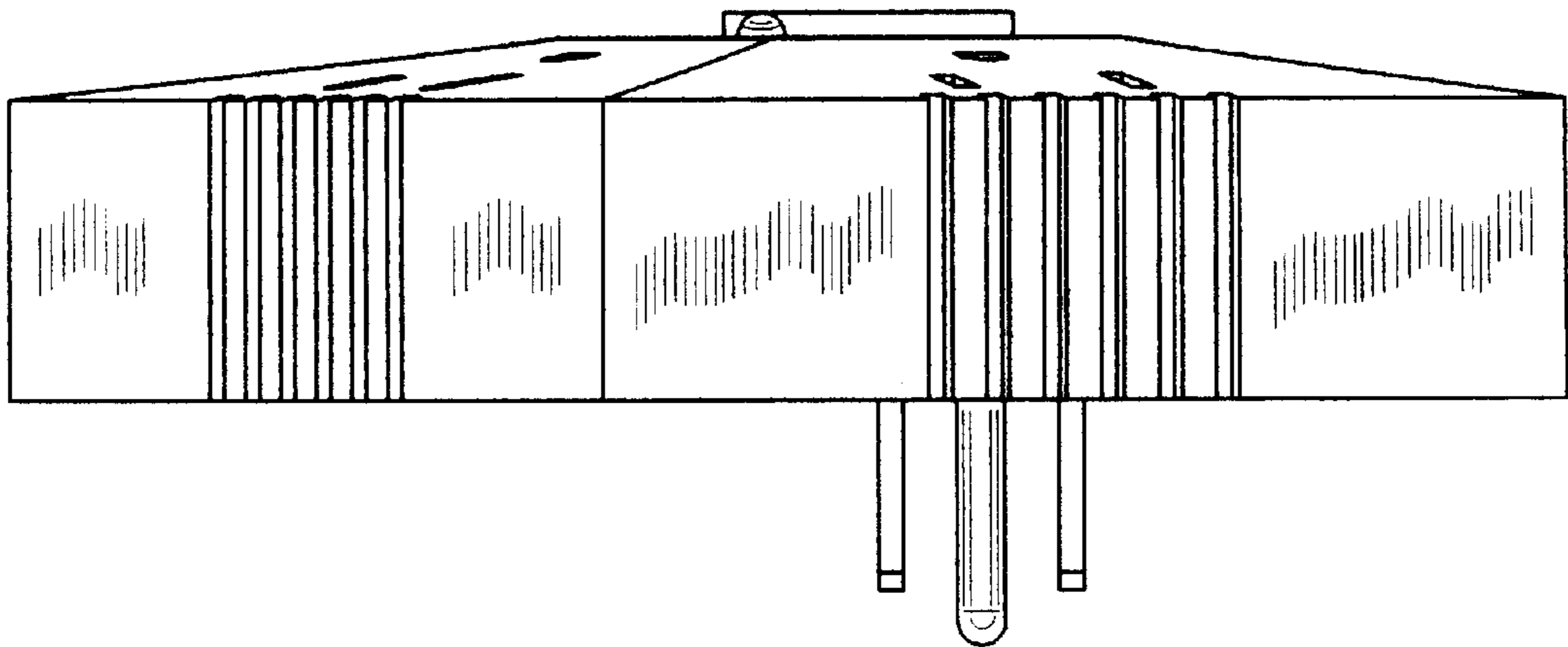


FIG 3

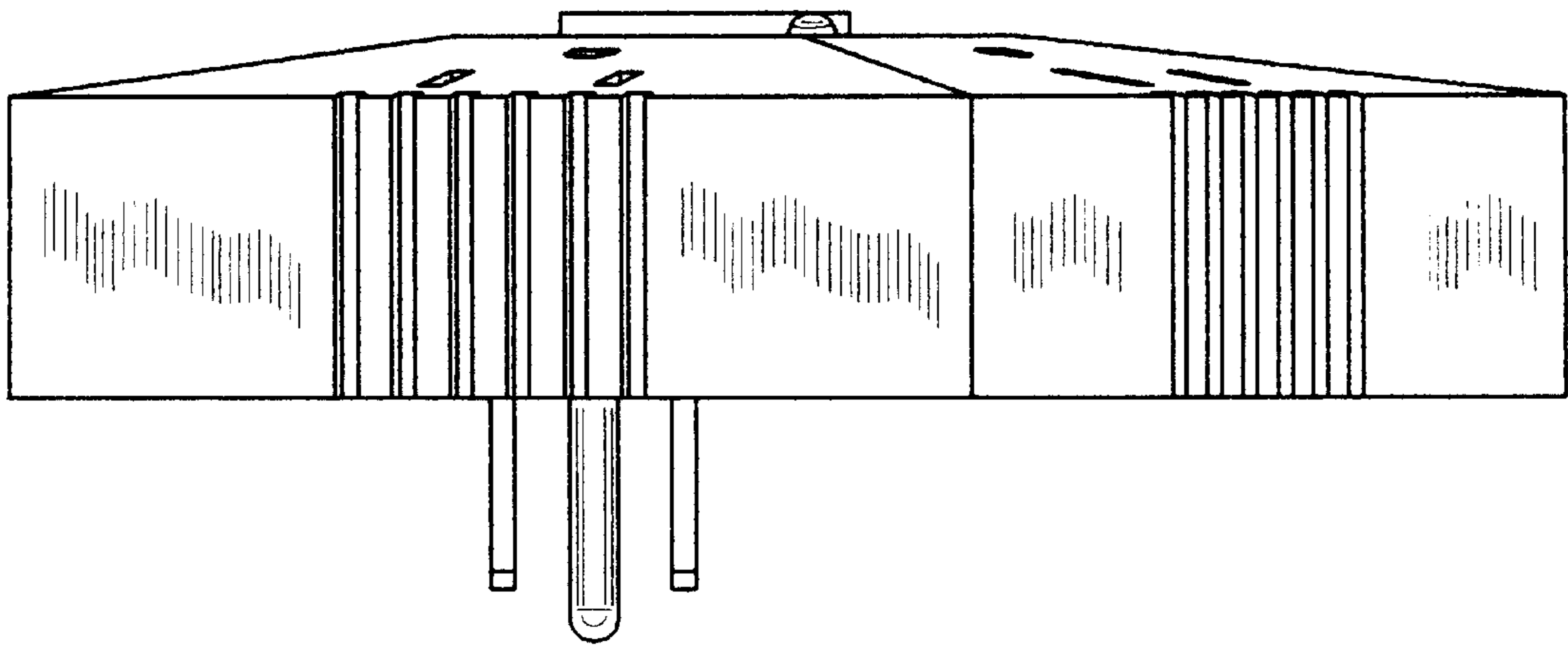


FIG 4

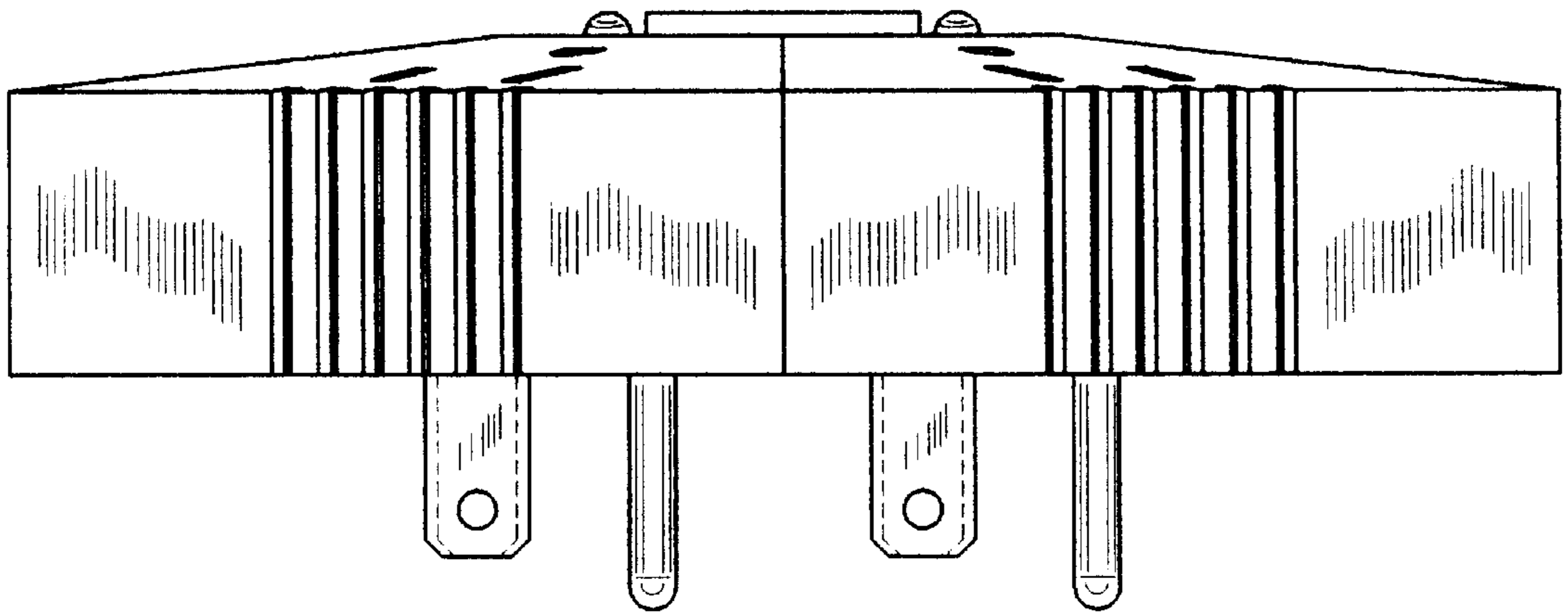


FIG 5

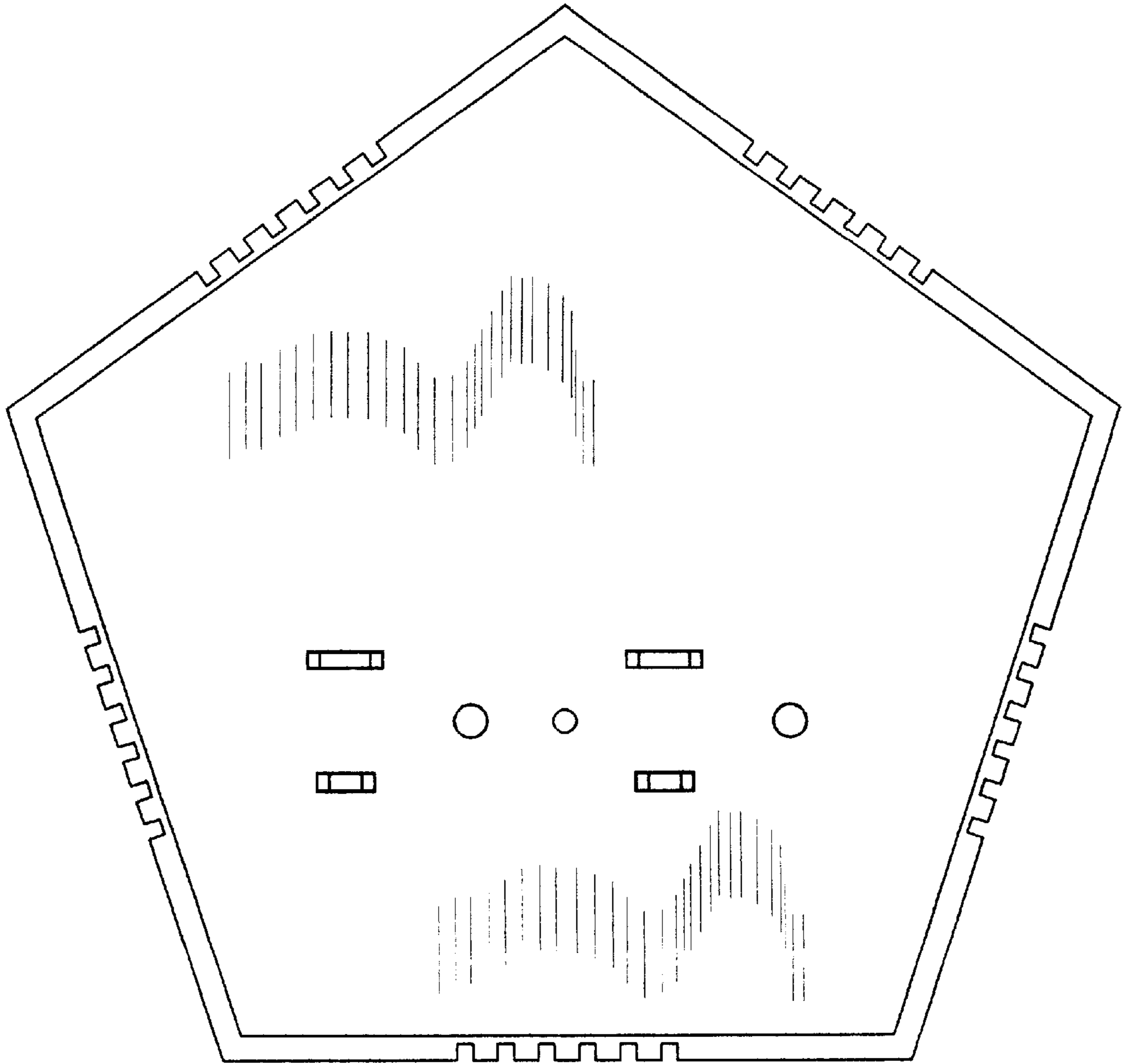


FIG 6

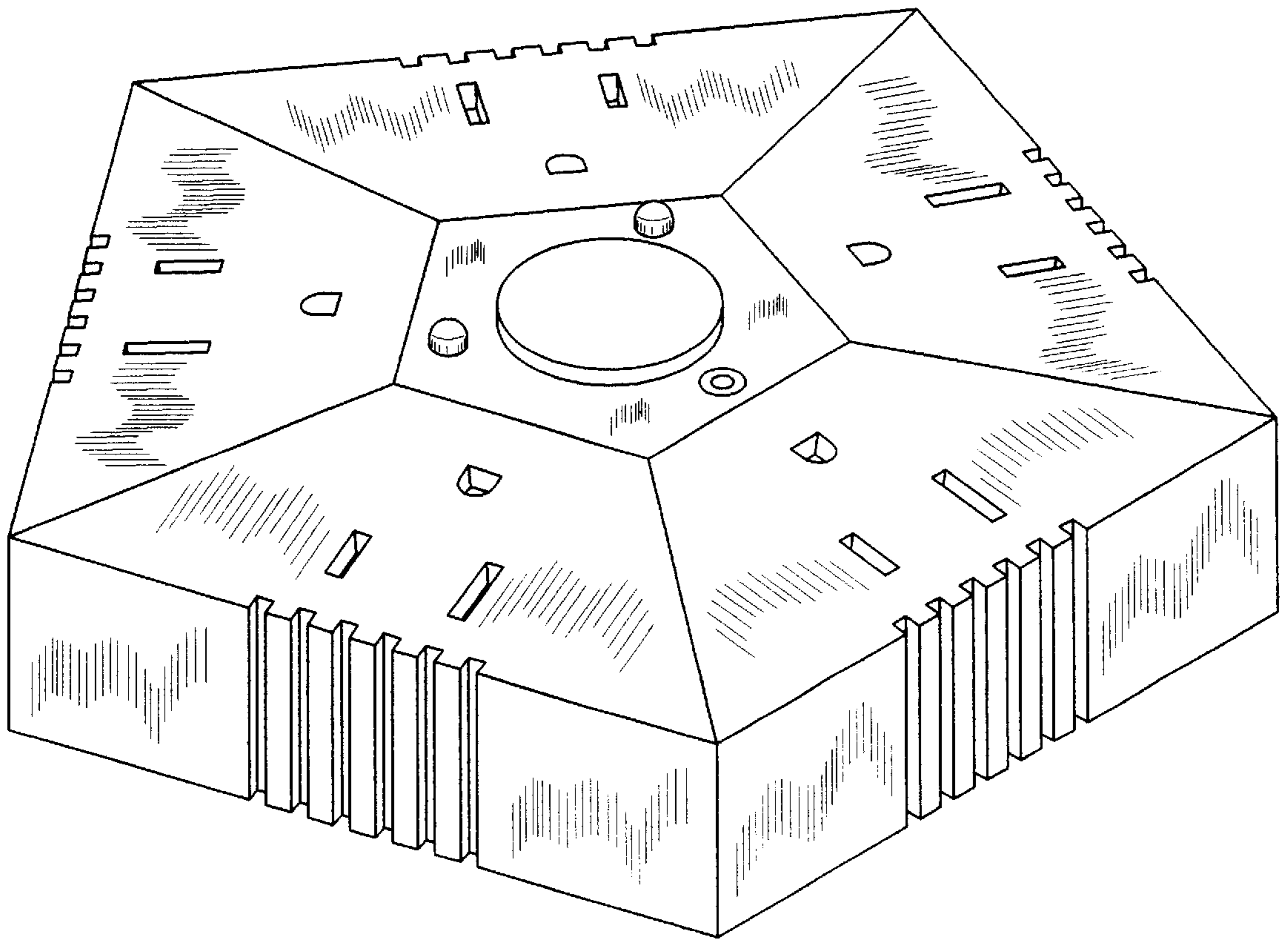


FIG 7



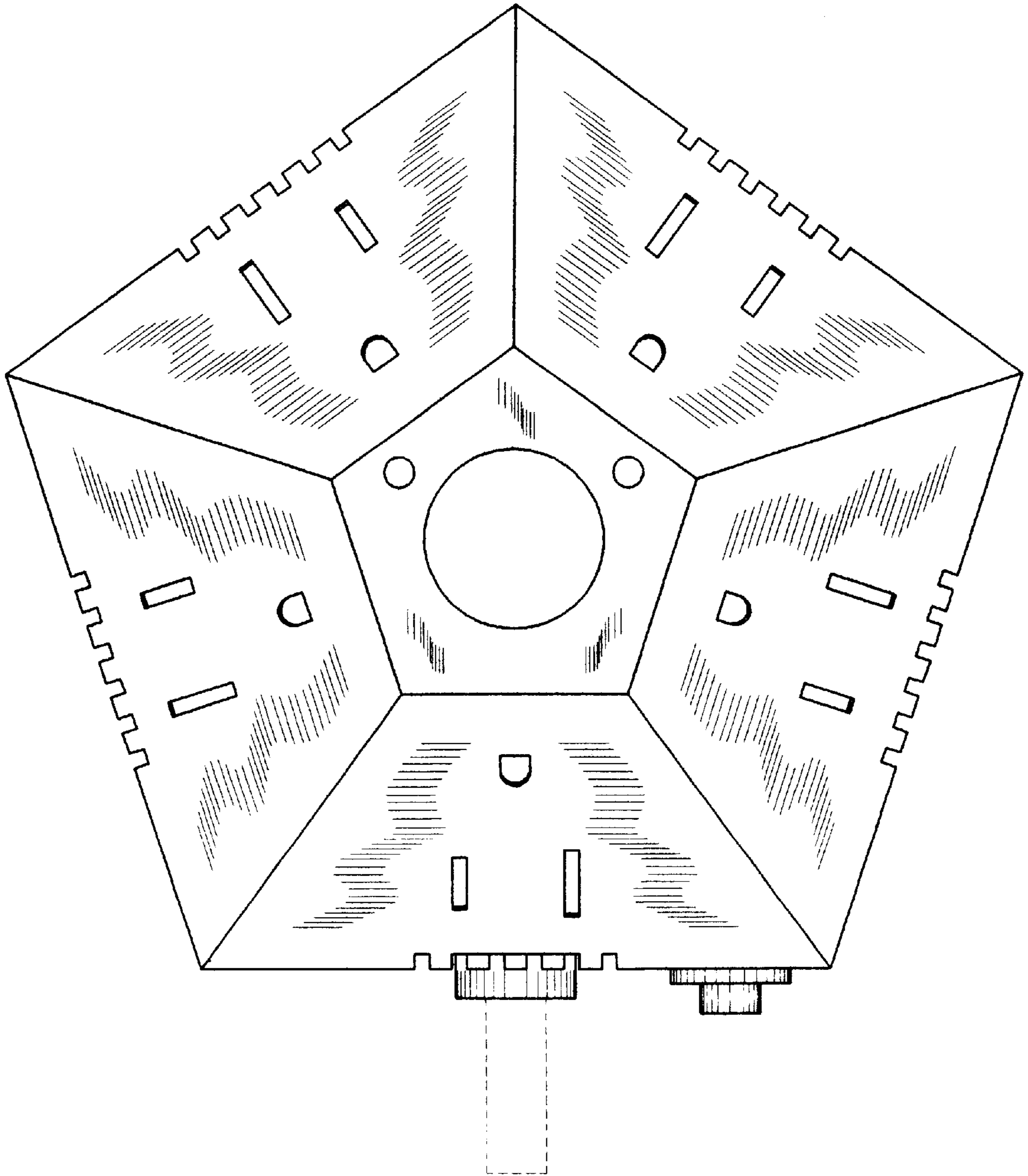


FIG 8

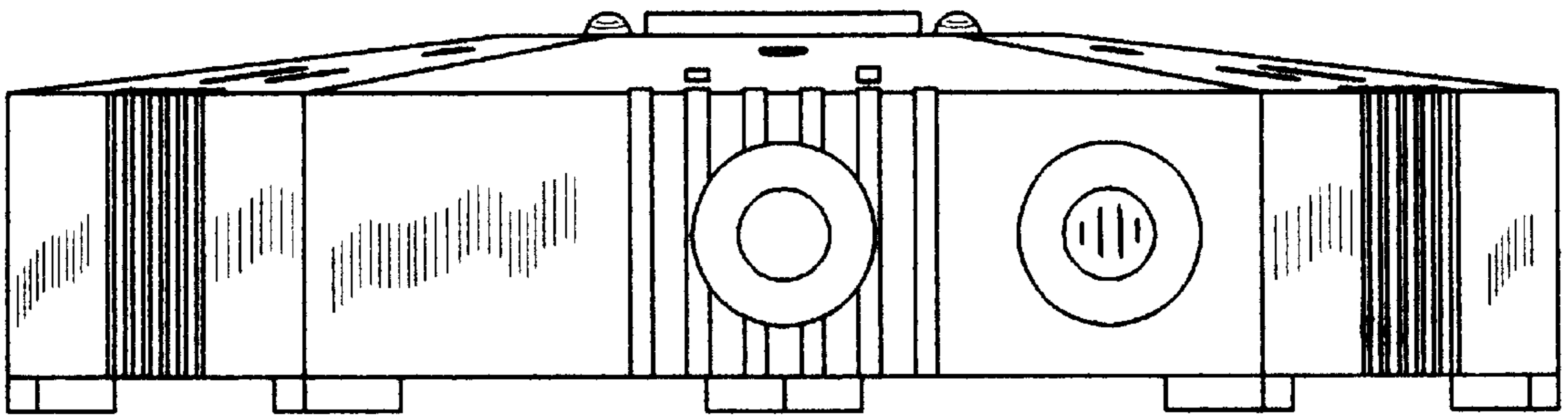


FIG 9

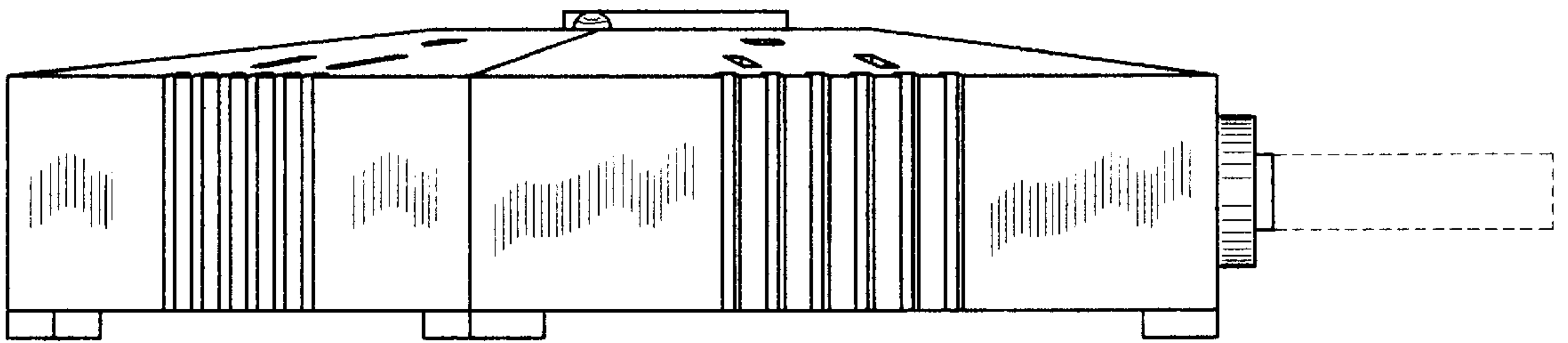


FIG 10

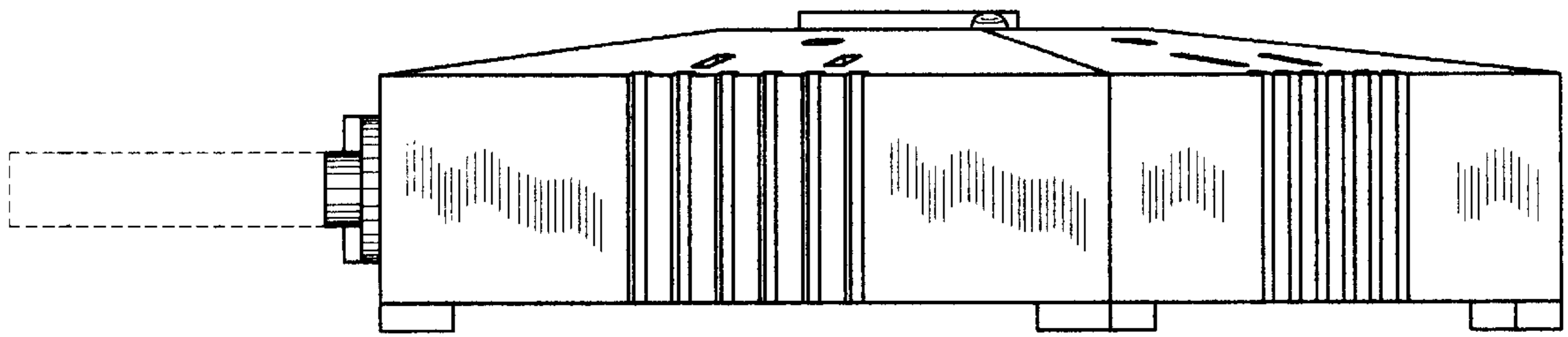


FIG 11

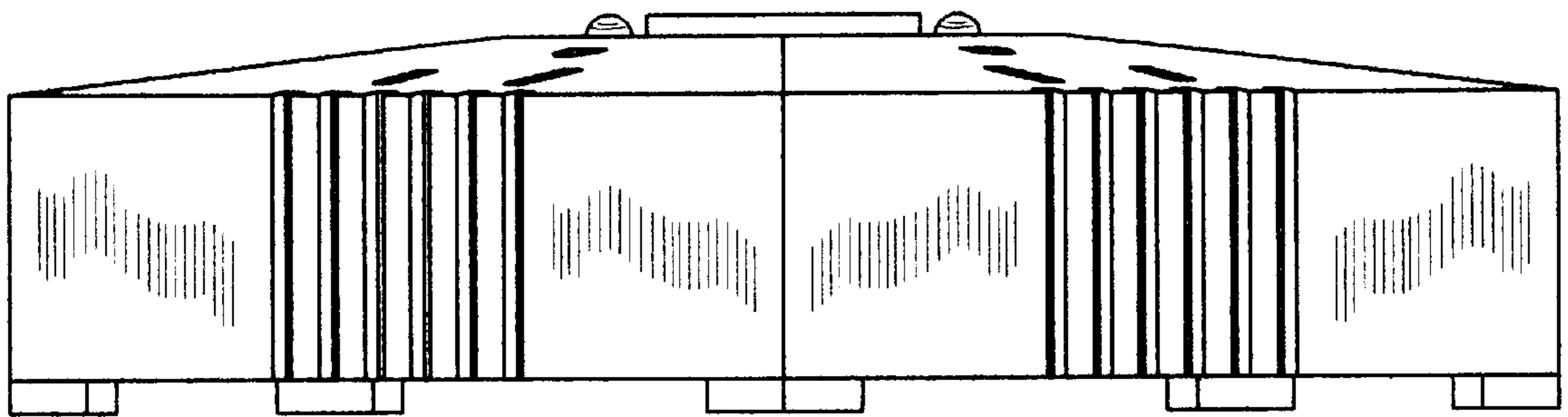


FIG 12

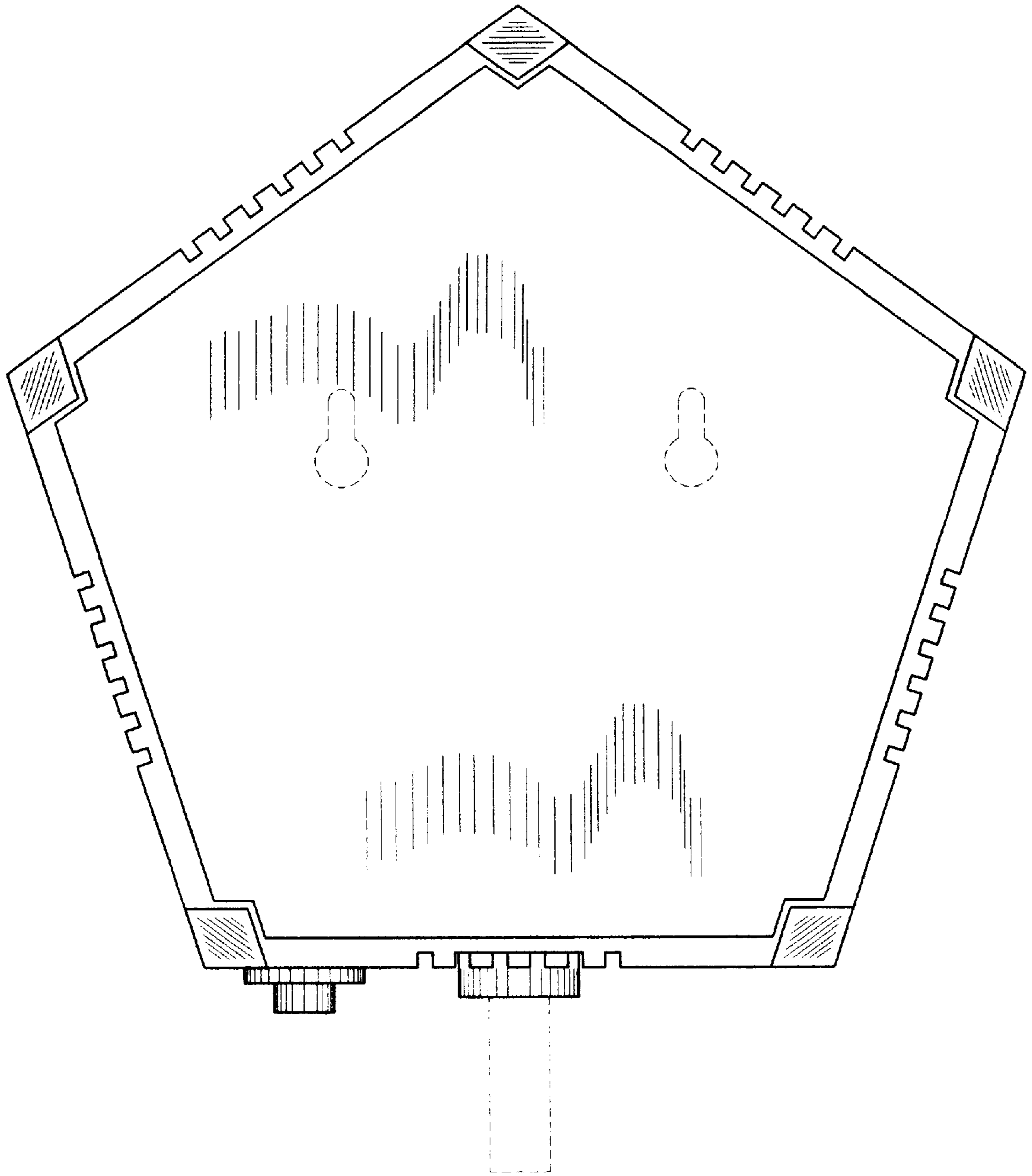


FIG 13

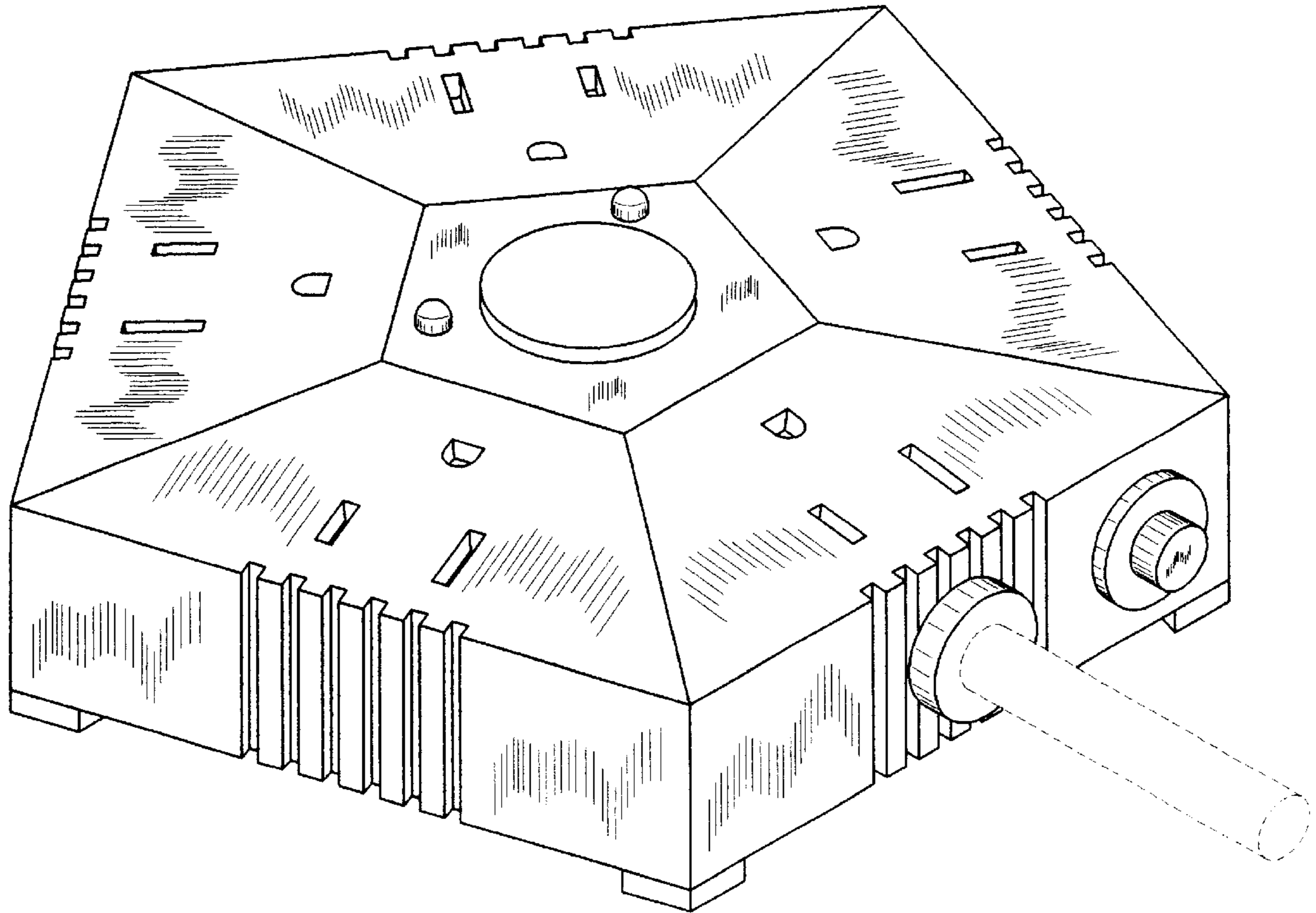


FIG 14