



US00D469403S

(12) **United States Design Patent**
Nieto

(10) **Patent No.:** **US D469,403 S**

(45) **Date of Patent:** **** Jan. 28, 2003**

- (54) **MULTIPLE OUTLET WALL TAP**
- (76) Inventor: **Germán Nieto**, 1306 E. Hawthorne Cir., Hollywood, FL (US) 33021
- (**) Term: **14 Years**
- (21) Appl. No.: **29/155,809**
- (22) Filed: **Feb. 19, 2002**
- (51) **LOC (7) Cl.** **13-03**
- (52) **U.S. Cl.** **D13/137.2**
- (58) **Field of Search** D13/123, 133, D13/137.1-137.4, 139.1-139.8, 160; 174/48-49, 53-57, 135; 191/12 R, 12.4; 361/614; 439/107, 528, 535-536, 538, 620, 650-654, 954

- 6,068,511 A * 5/2000 Hsiang 439/579
- D432,989 S * 10/2000 Rossman et al. D13/139.6
- D440,942 S * 4/2001 Ewing et al. D13/139.1
- 6,350,151 B1 * 2/2002 Elliot et al. 439/535

* cited by examiner

Primary Examiner—Robert M. Spear

(57) **CLAIM**

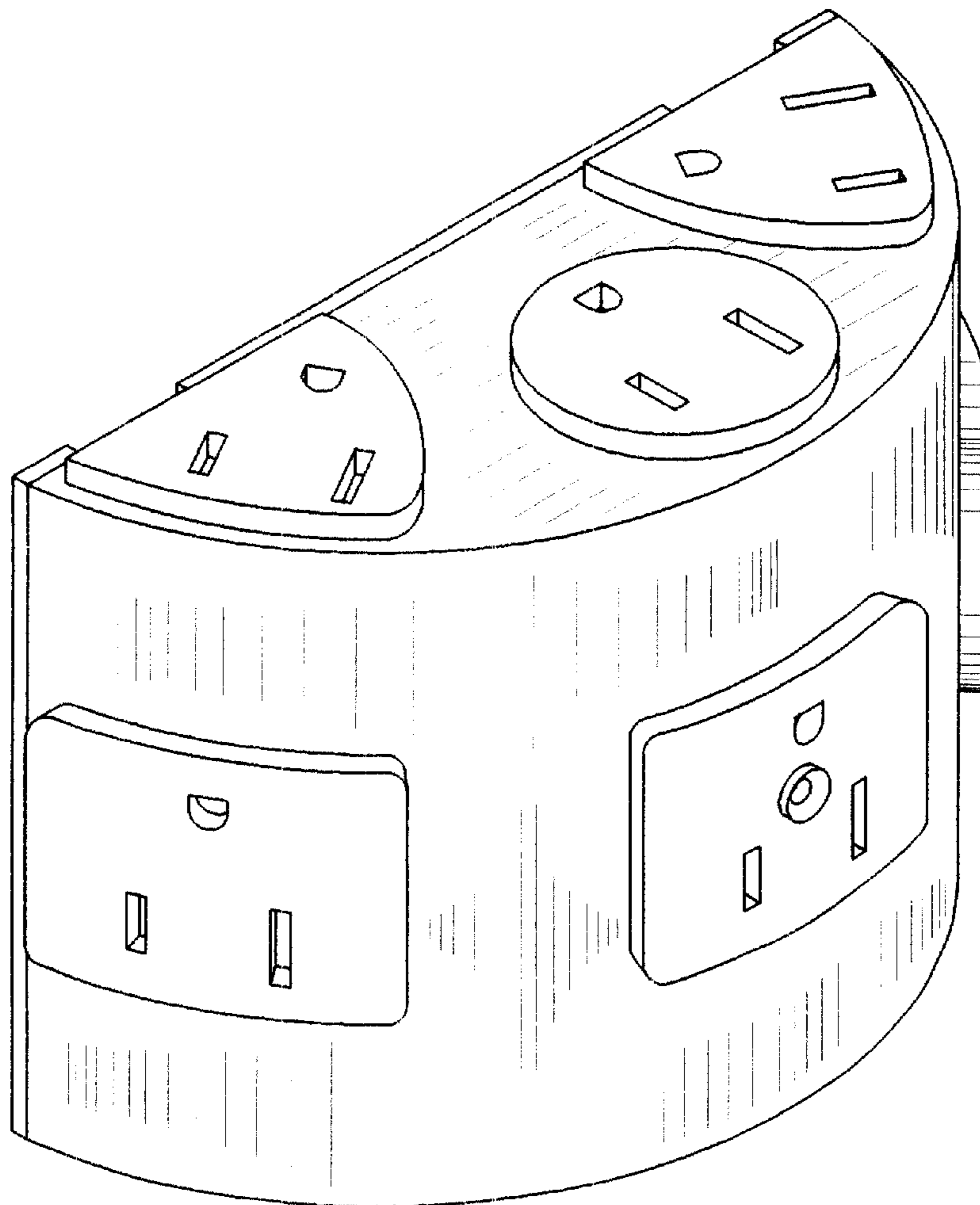
The ornamental design for a multiple outlet wall tap, as shown and described.

DESCRIPTION

FIG. 1 is a top plan view of a multiple outlet wall tap showing my new design;
 FIG. 2 is a front elevational view;
 FIG. 3 is a left hand side elevational view thereof;
 FIG. 4 is a right hand side elevational view thereof;
 FIG. 5 is a rear elevational view thereof;
 FIG. 6 is a bottom plan view thereof; and,
 FIG. 7 is a perspective view thereof.

- (56) **References Cited**
- U.S. PATENT DOCUMENTS**
- D141,397 S * 5/1945 Huppert D13/139.7
- D350,937 S * 9/1994 Rossman et al. D13/137.2
- D397,086 S * 8/1998 Lin D13/137.2

1 Claim, 7 Drawing Sheets



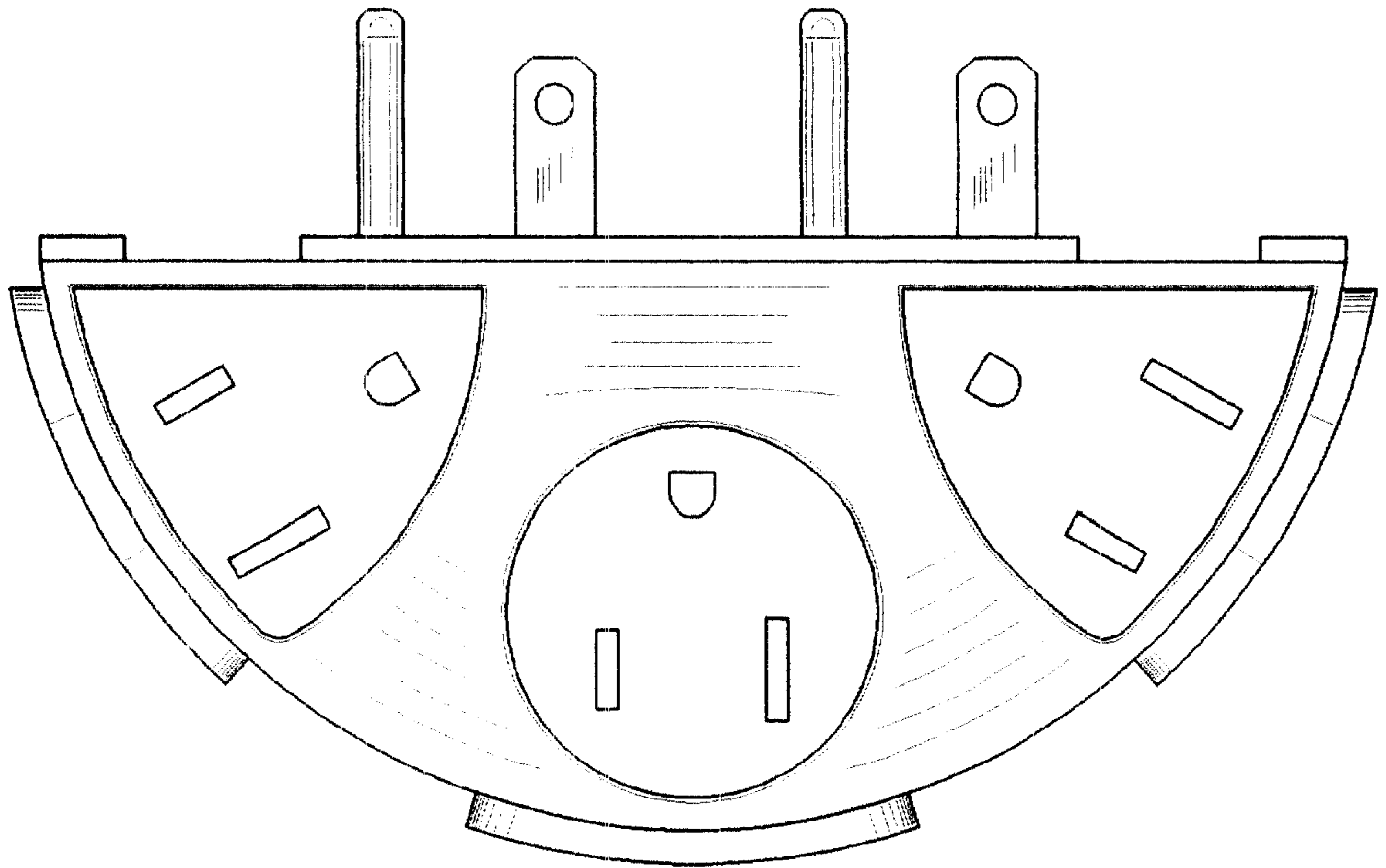


FIG 1

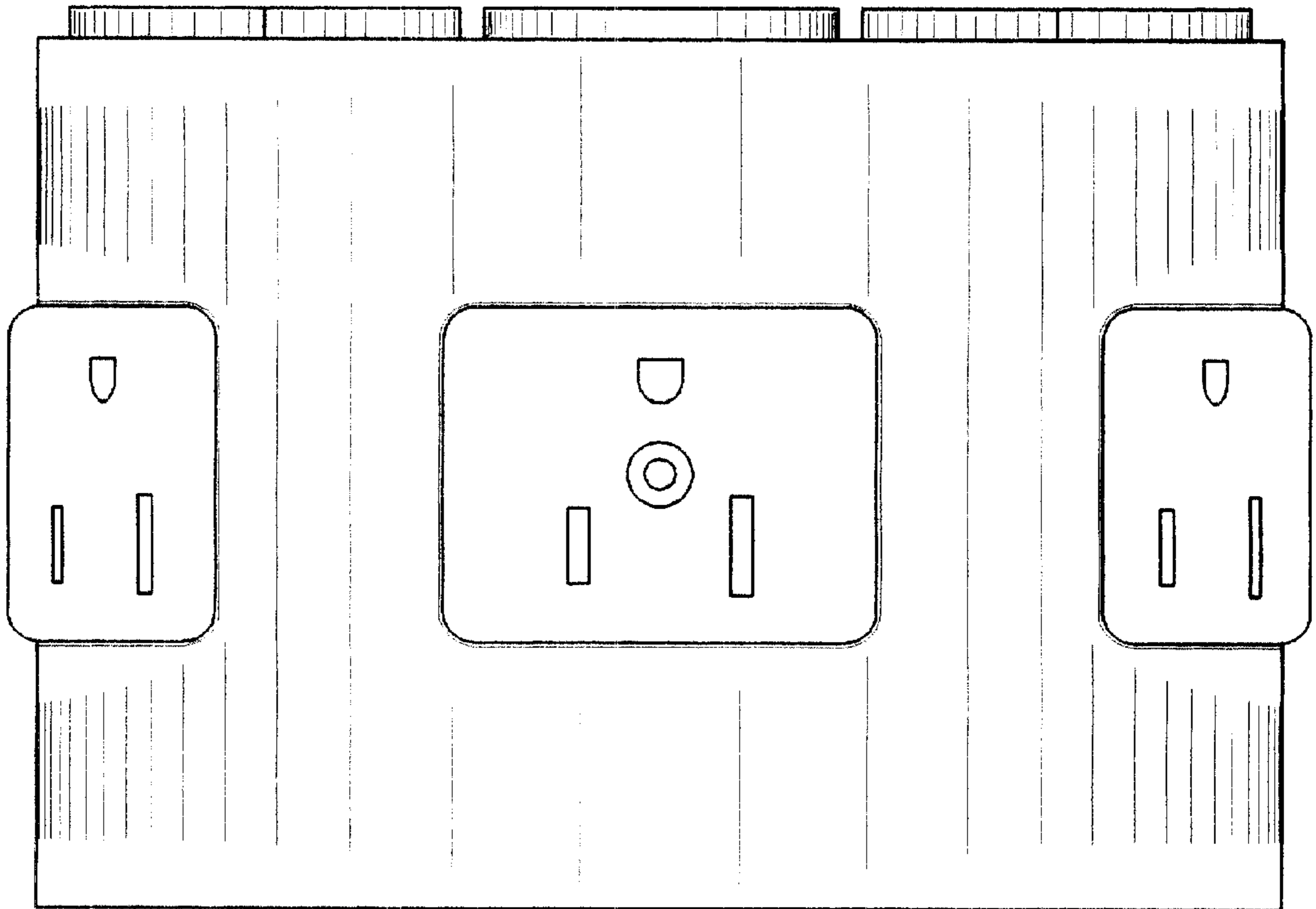


FIG 2

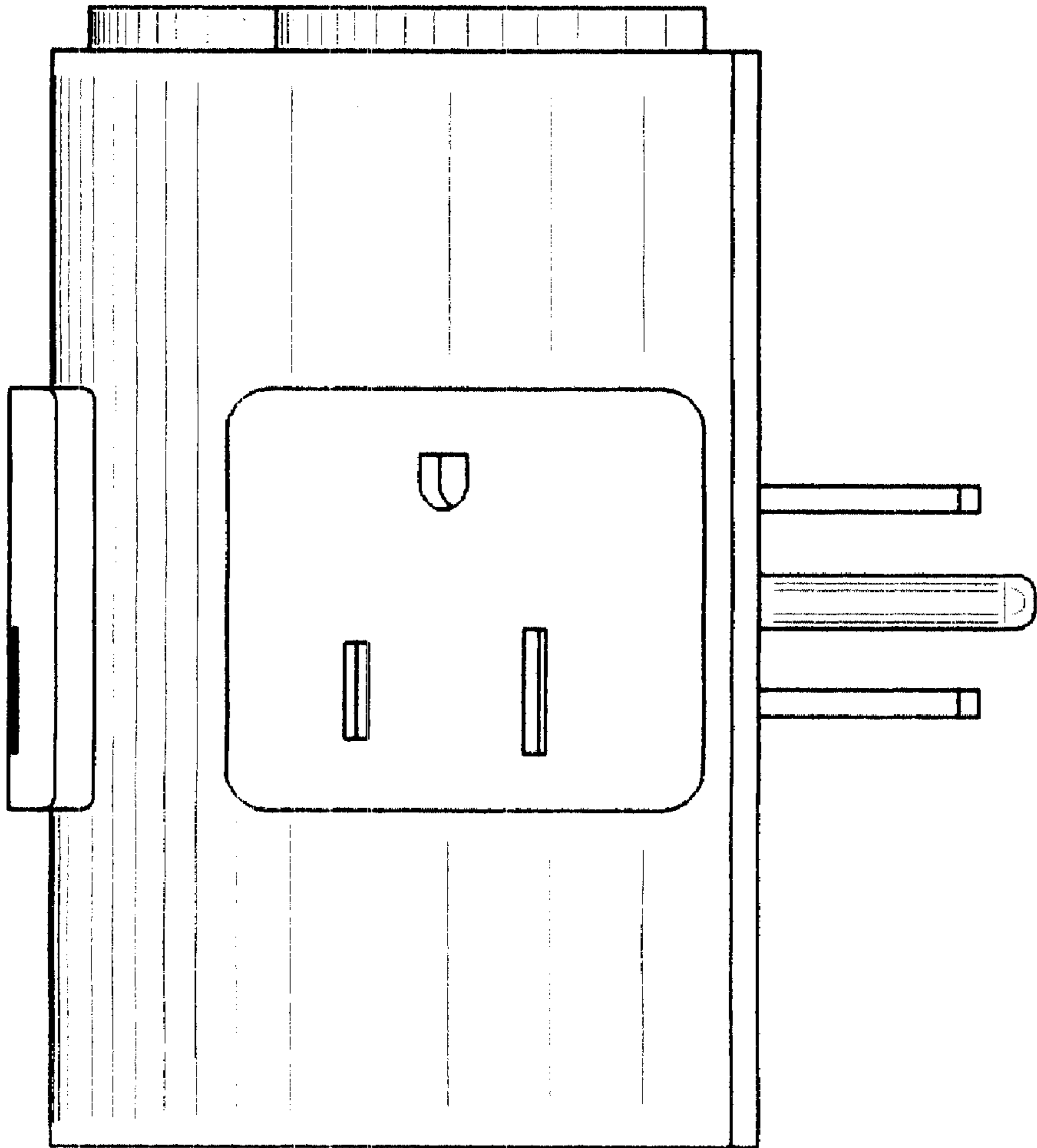


FIG 3

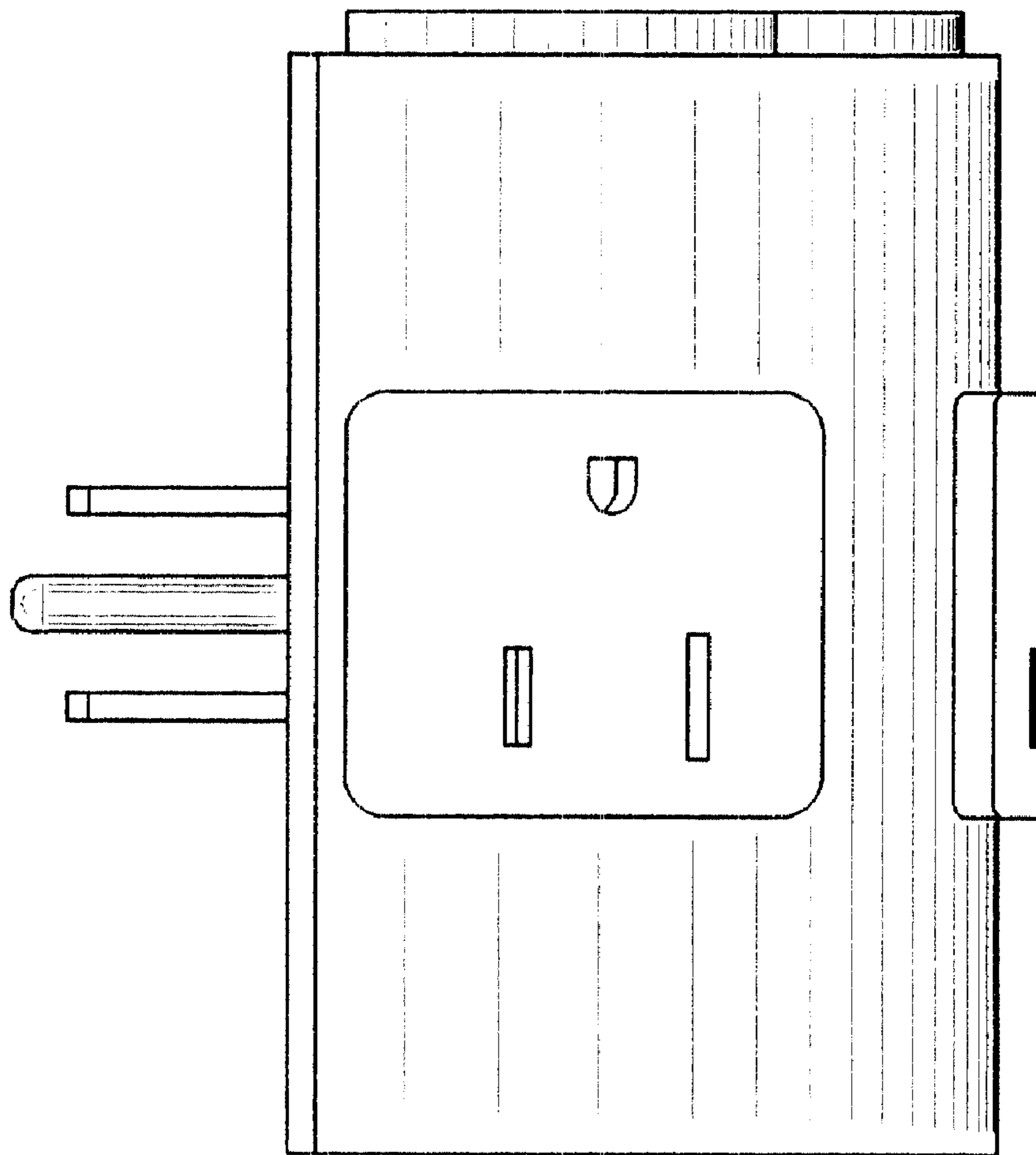


FIG 4

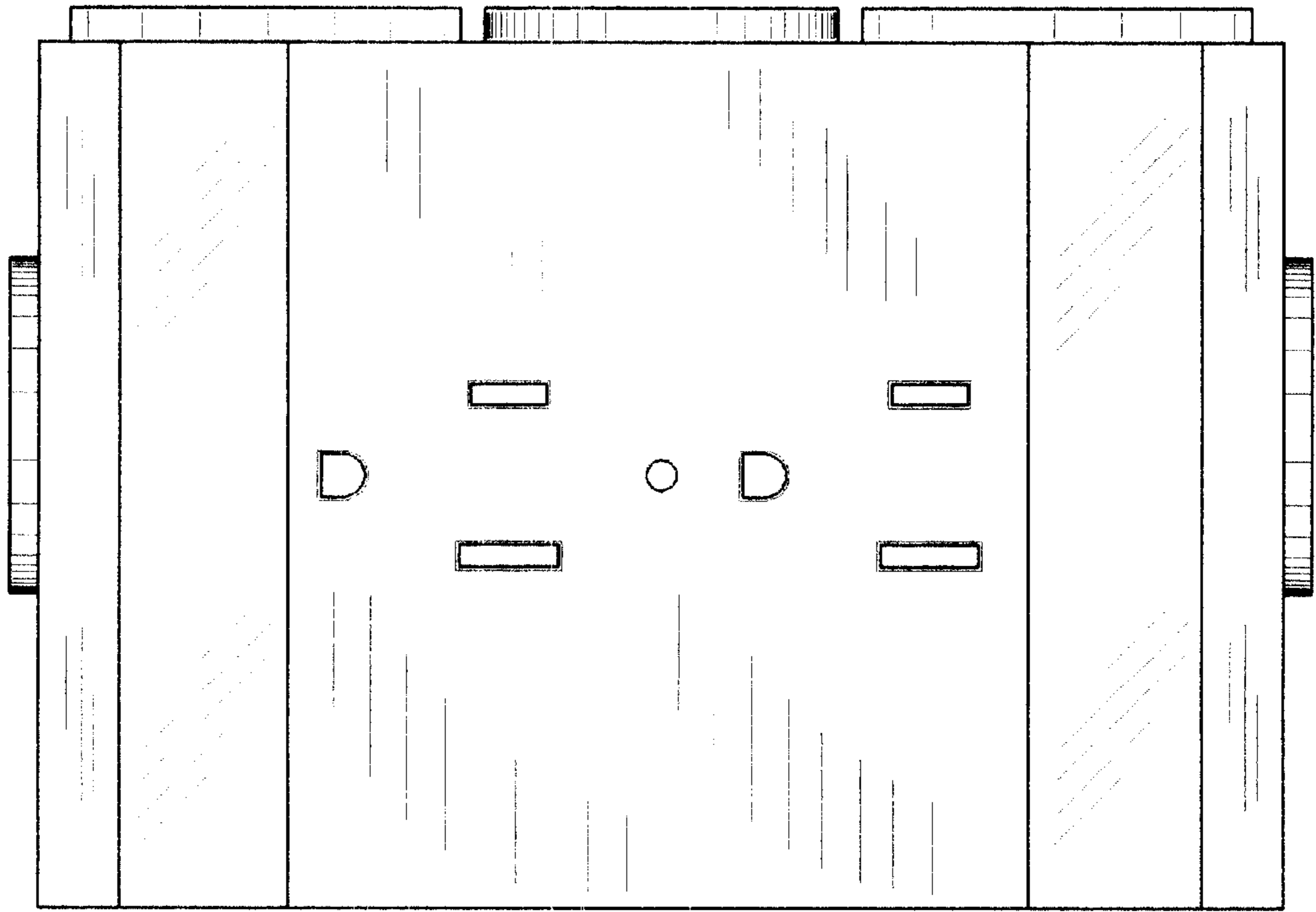


FIG 5

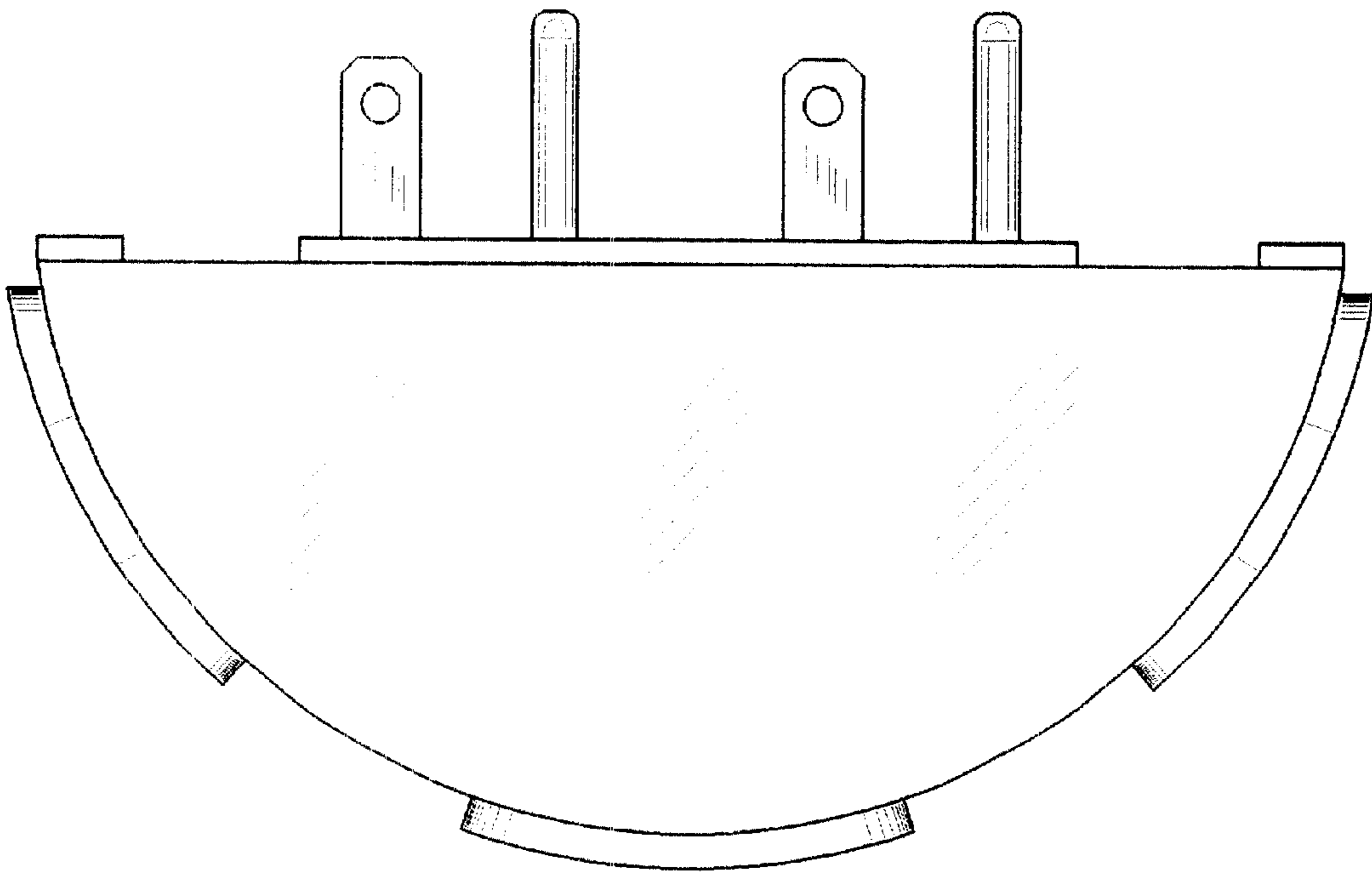


FIG 6

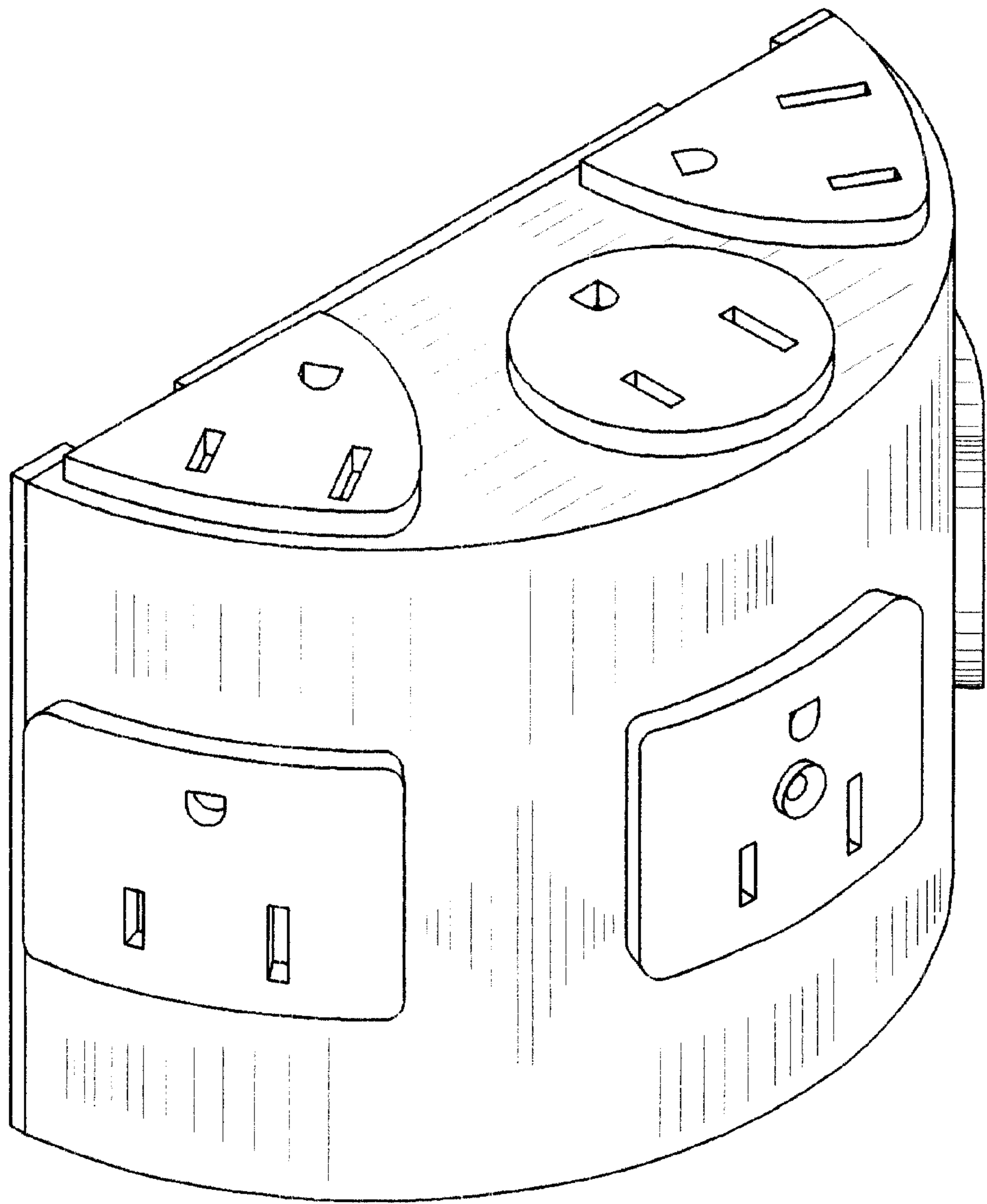


FIG 7