



US00D469402S

(12) **United States Design Patent**
Bukiri

(10) **Patent No.:** **US D469,402 S**

(45) **Date of Patent:** **** Jan. 28, 2003**

(54) **RECEPTACLE ADAPTER**

(76) Inventor: **Patrick J. Bukiri**, 8251 S. Pulaksi,
Chicago, IL (US) 60652

(**) Term: **14 Years**

(21) Appl. No.: **29/157,837**

(22) Filed: **Mar. 22, 2002**

(51) **LOC (7) Cl.** **13-03**

(52) **U.S. Cl.** **D13/137.1; D13/137.2**

(58) **Field of Search** **D9/423; D13/123,**
D13/133, 137.1-137.4, 139.1-139.8, 160;
174/48-49, 53-57, 66, 135; 191/12 R, 124;
361/614; 439/107, 131, 528, 535-536, 538,
571, 620, 650-654, 954

(56) **References Cited**

U.S. PATENT DOCUMENTS

1,874,828	A	*	8/1932	Suss	439/651
2,454,527	A	*	11/1948	Taschereau	362/136
2,488,976	A		11/1949	Huppert		
2,988,617	A	*	6/1961	Graziosi	337/197
3,034,000	A	*	5/1962	Todd	336/107
3,376,542	A	*	4/1968	Vlaminck	439/571
4,758,921	A	*	7/1988	Hung	439/620
5,359,152	A	*	10/1994	Hone-Lin	174/53
D369,295	S	*	4/1996	Koberi et al.	D9/423
5,605,466	A		2/1997	Devlin et al.		
5,613,863	A	*	3/1997	Klaus et al.	439/131
D385,787	S	*	11/1997	Takano et al.	D9/423
D399,488	S	*	10/1998	Williams	D13/139.7
5,880,401	A	*	3/1999	Leischner et al.	174/66
6,111,772	A	*	8/2000	Lee et al.	439/651
6,155,880	A		12/2000	Yu		
D450,038	S		11/2001	Yu		
D450,300	S		11/2001	Yu		
D452,148	S	*	12/2001	Friedberg	D9/423
D452,844	S		1/2002	Yu		
6,386,921	B1	*	5/2002	Casari	439/651

OTHER PUBLICATIONS

Carlton HE Enclosure, lower center of page, Carlton Non-metallic Enclosures Ad, from www.carlton.com (Carlton Brand Website). Dated May 1999.*

Bakelinte case and panel, Lafayette Radio Electronics Catalog #720, 1972, p. 279.*

Heathkit Sound Activated Switch, Heathkit Fall 1987 Catalog, p. 13.*

* cited by examiner

Primary Examiner—Robert M. Spear

(74) *Attorney, Agent, or Firm*—Leydig, Voit & Mayer, Ltd.

(57) **CLAIM**

The ornamental design for a receptacle adapter, as shown and described.

DESCRIPTION

FIG. 1 is a left front perspective view of a receptacle adapter showing my new design;

FIG. 2 is a front plan view thereof;

FIG. 3 is a right side view thereof;

FIG. 4 is a left side view thereof;

FIG. 5 is a top view thereof;

FIG. 6 is a bottom view thereof;

FIG. 7 is a rear plan view thereof;

FIG. 8 is a left front perspective view of another embodiment of the invention;

FIG. 9 is a front plan view of the embodiment in FIG. 8;

FIG. 10 is a right plan view of the embodiment in FIG. 8;

FIG. 11 is a left plan view thereof;

FIG. 12 is a top plan view thereof;

FIG. 13 is a bottom plan view thereof; and,

FIG. 14 is a rear plan view thereof.

The broken line environmental showing is for illustrative purposes only and forms no part of the claimed design.

1 Claim, 6 Drawing Sheets

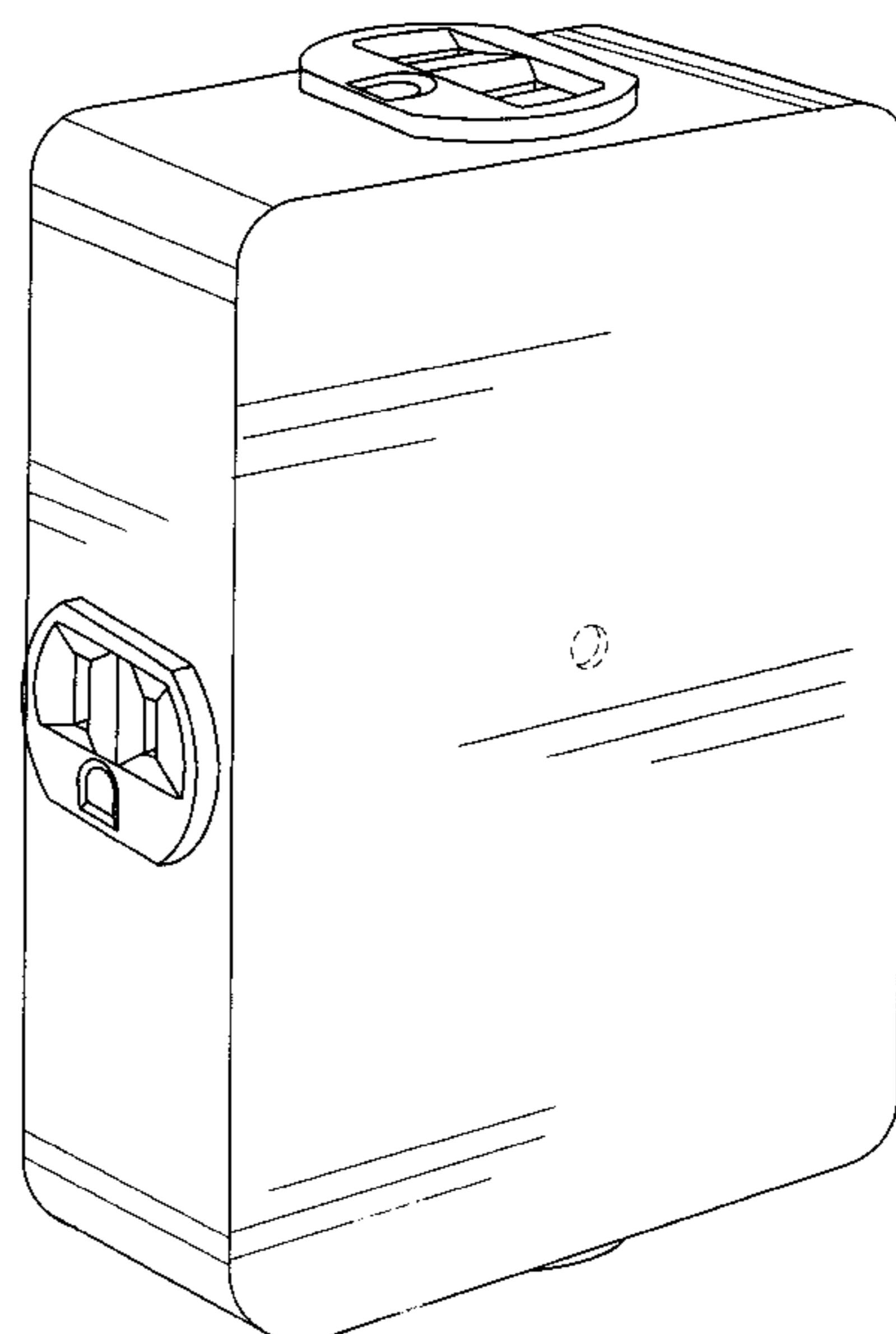
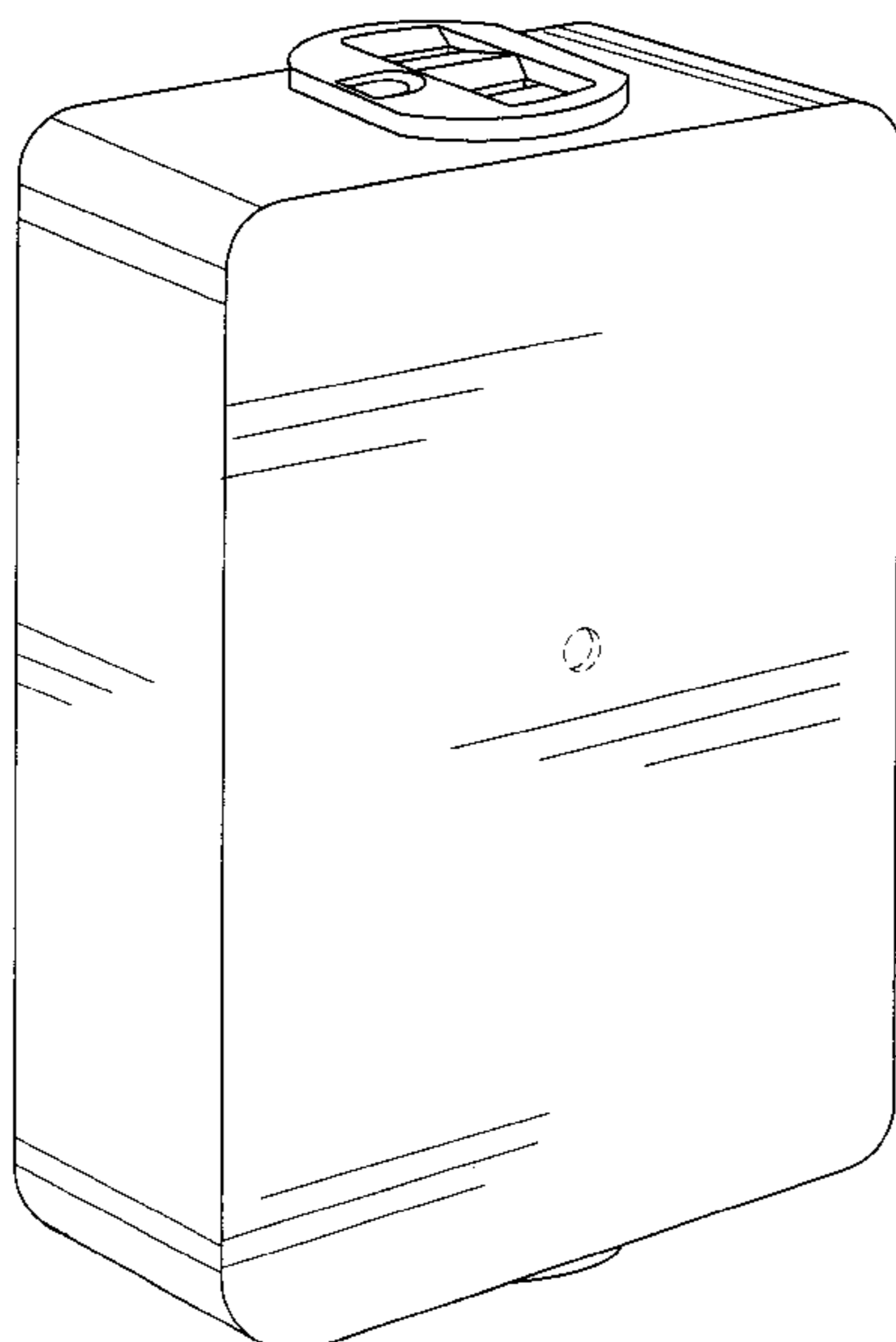


FIG. 1

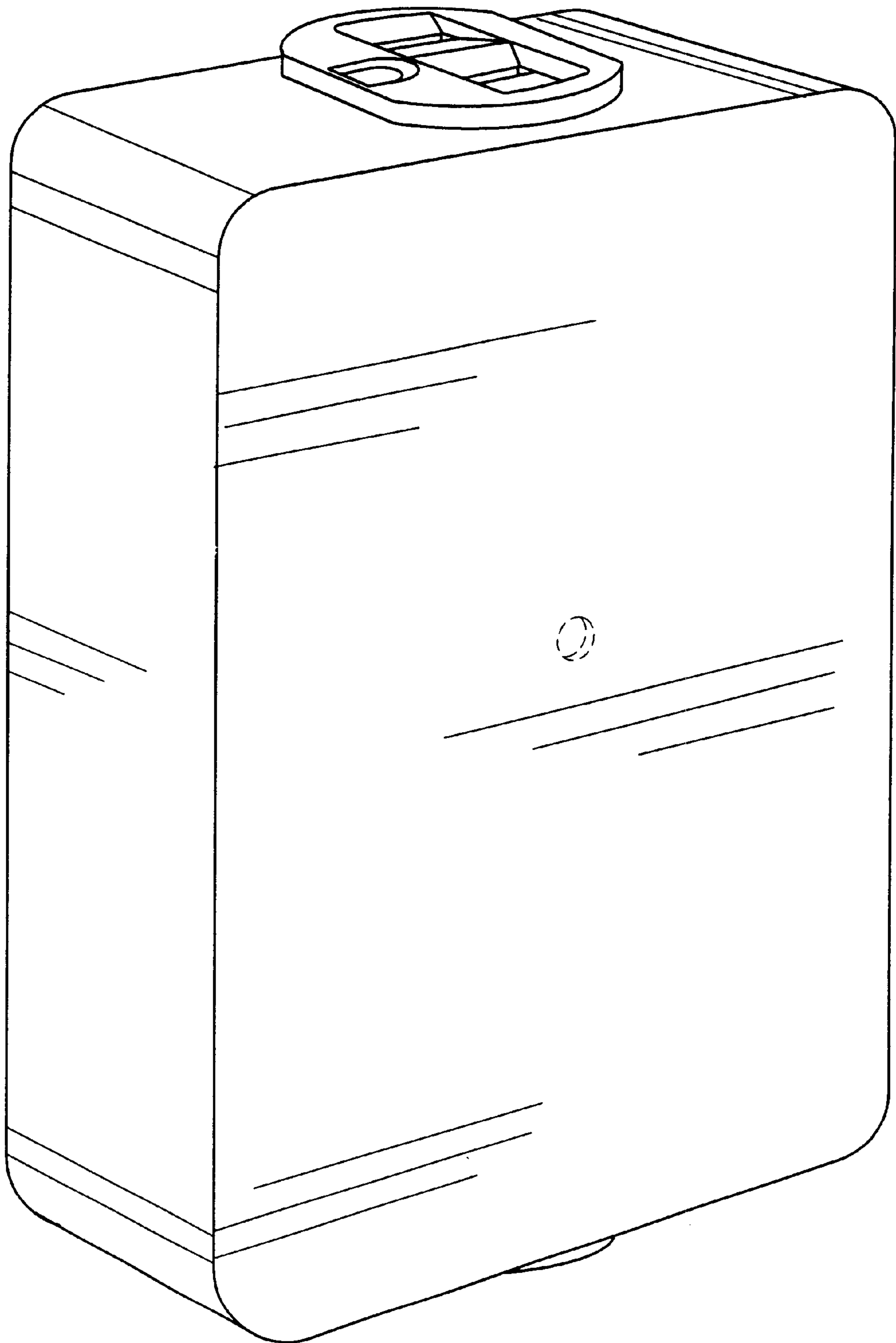


FIG. 5

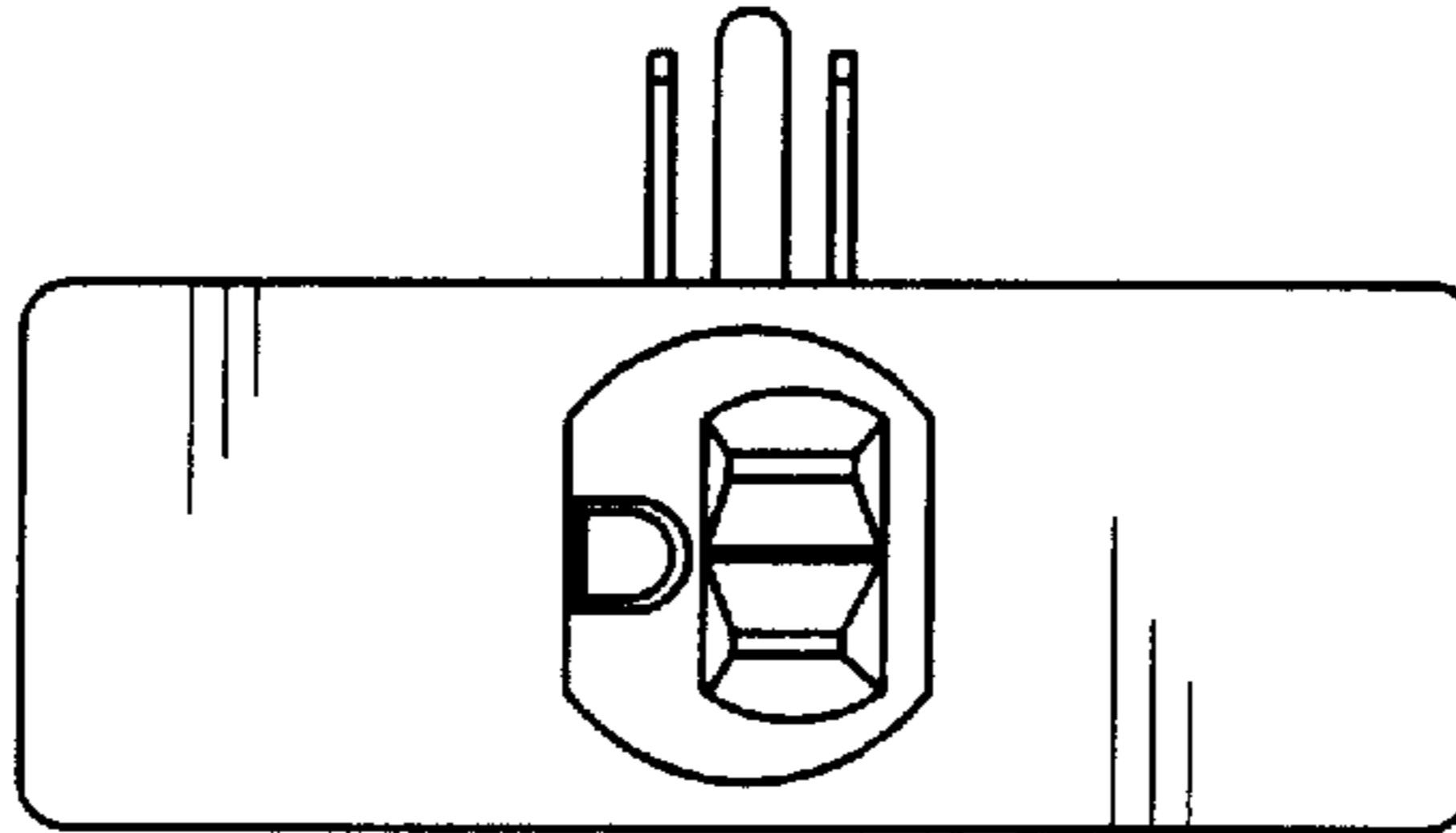


FIG. 4

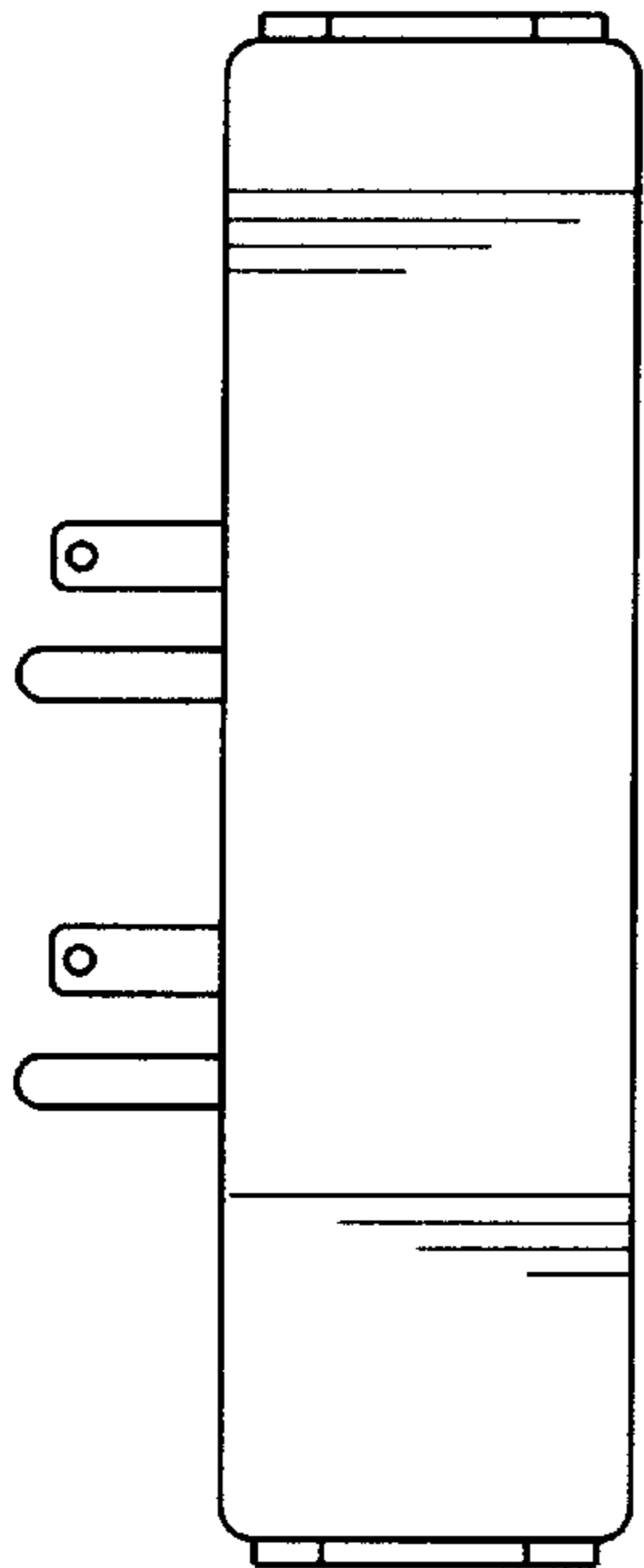


FIG. 2

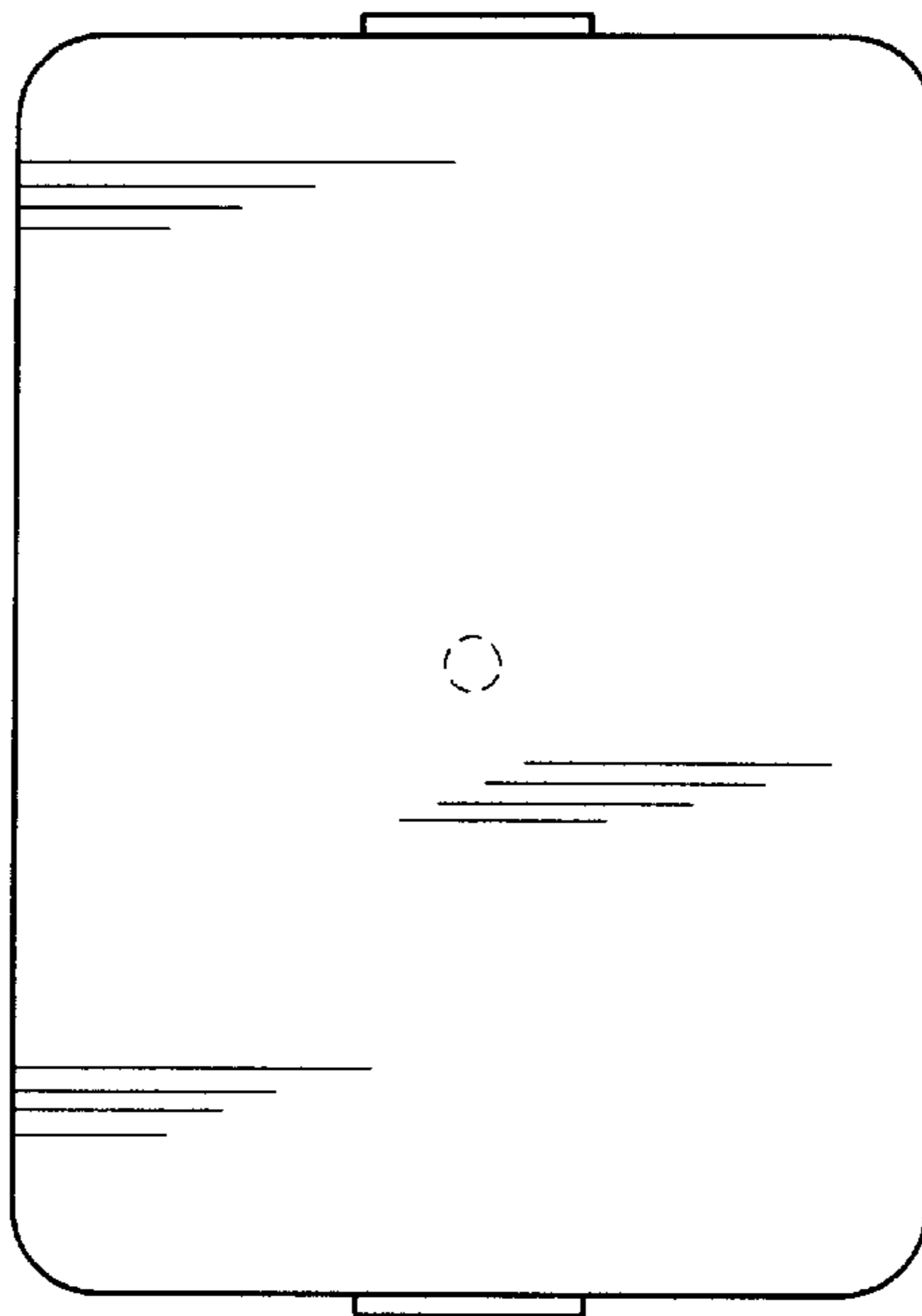


FIG. 3

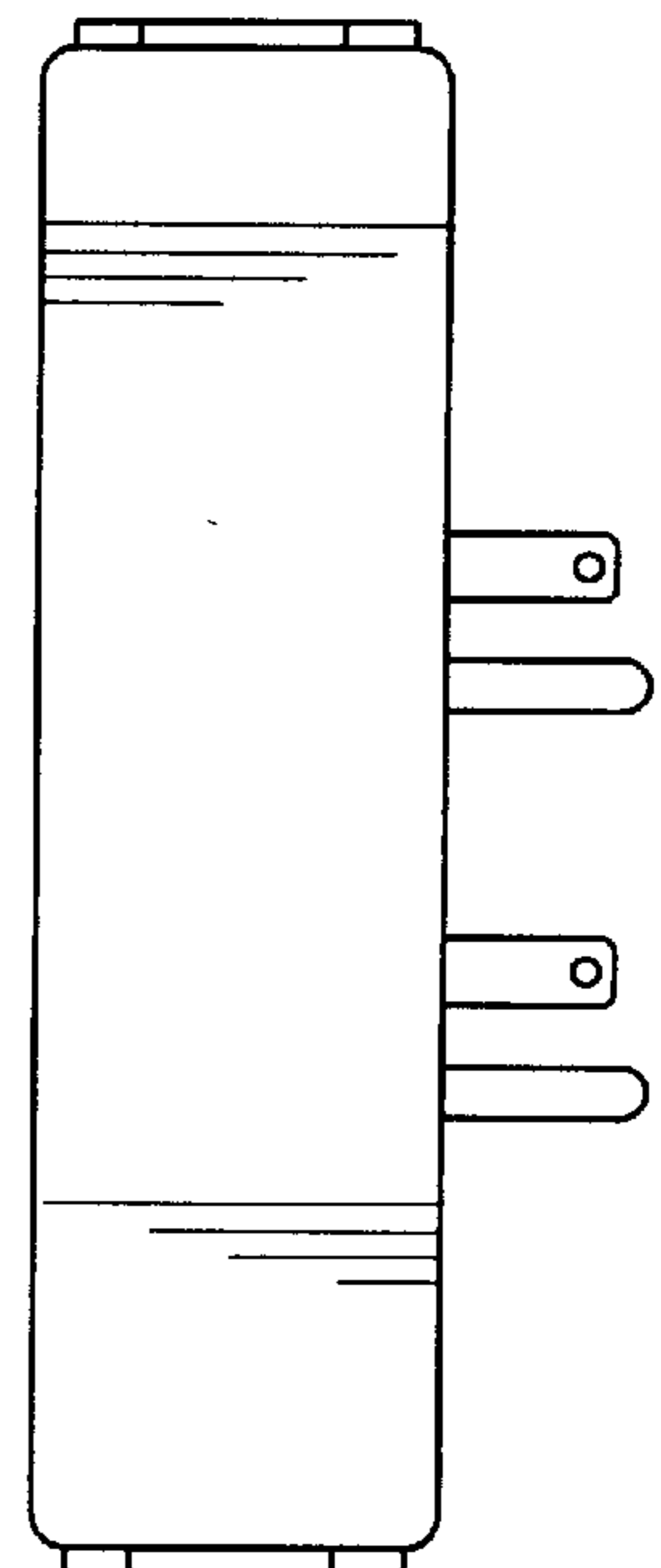


FIG. 6

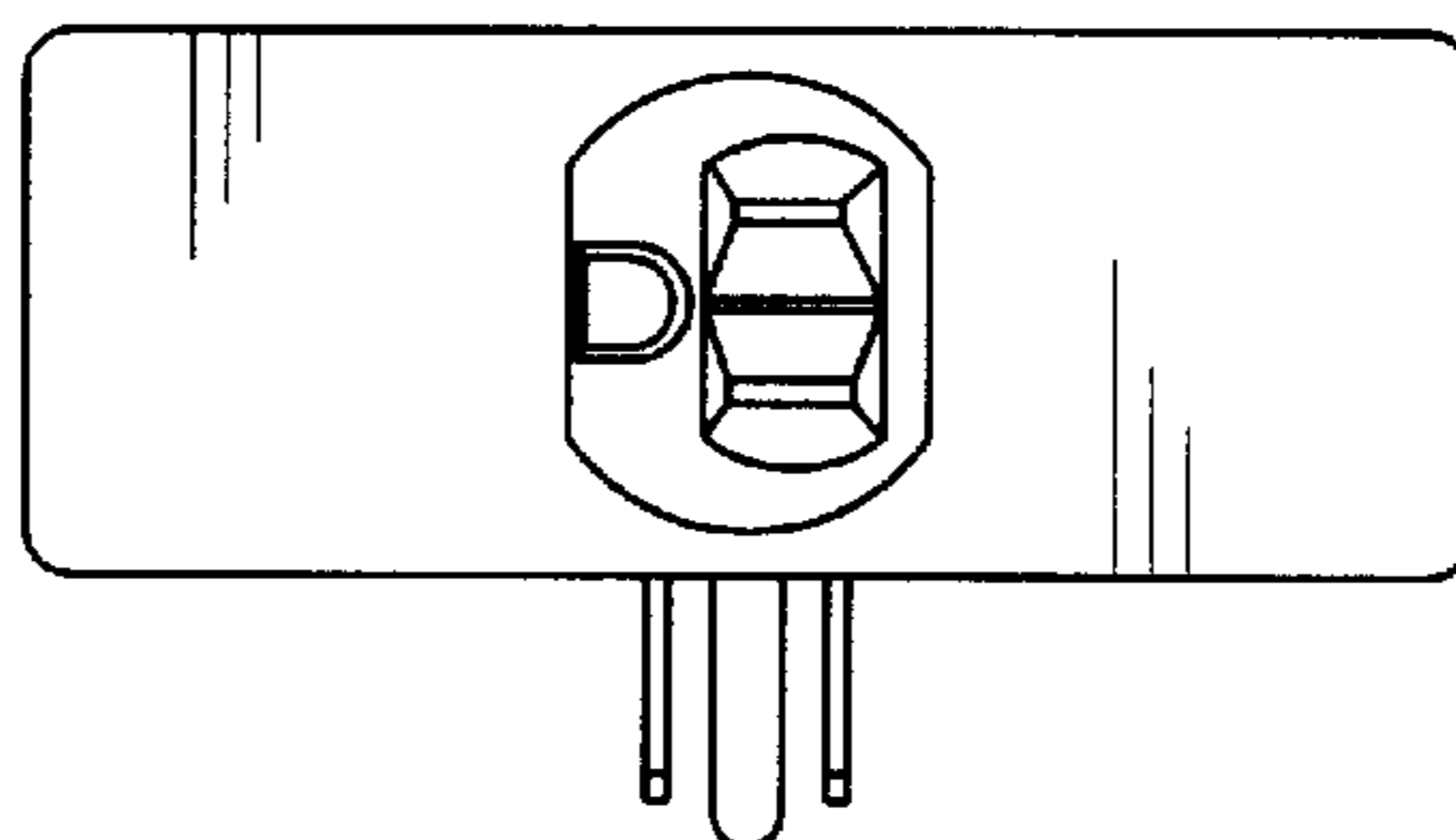


FIG. 7

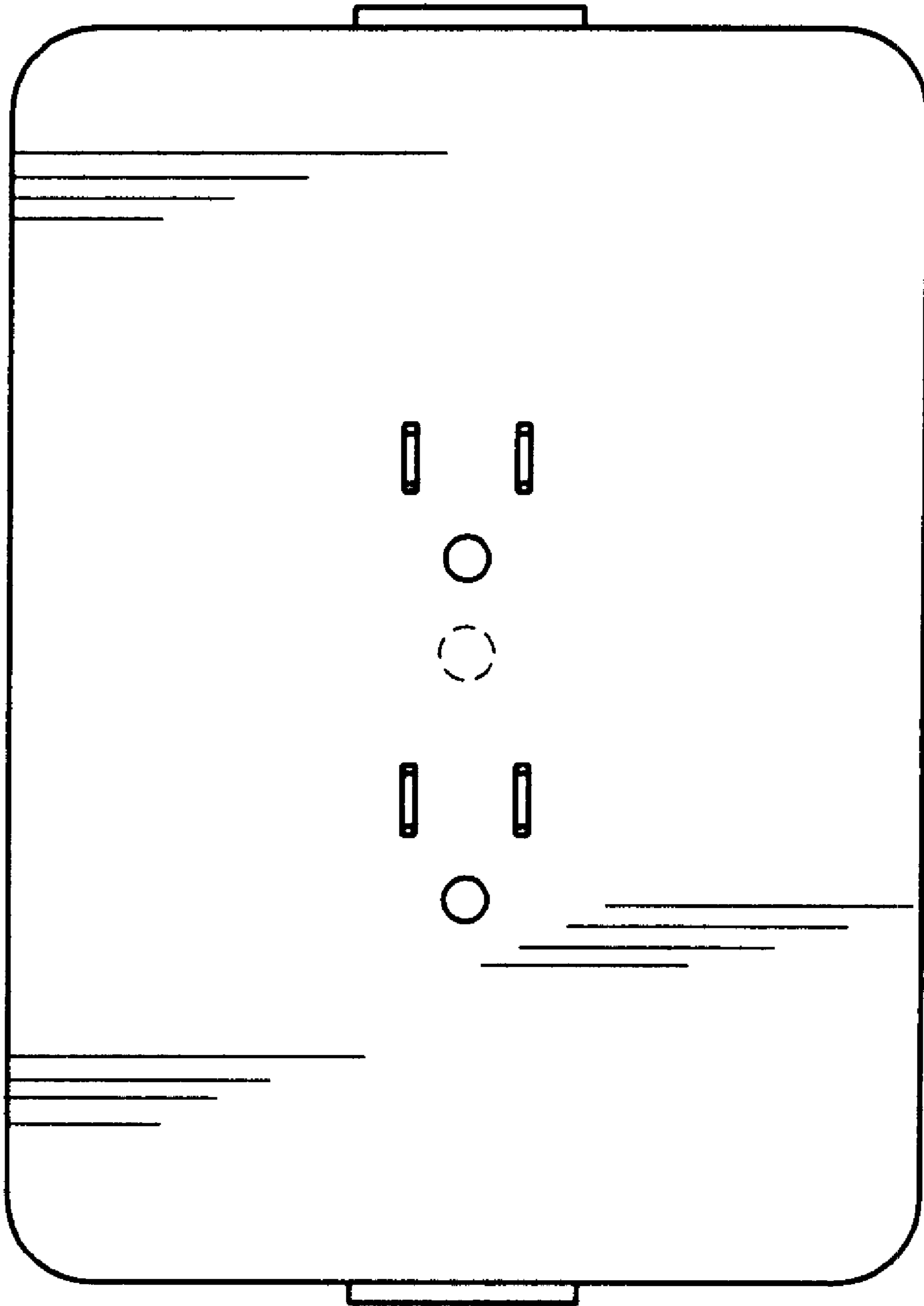


FIG. 8

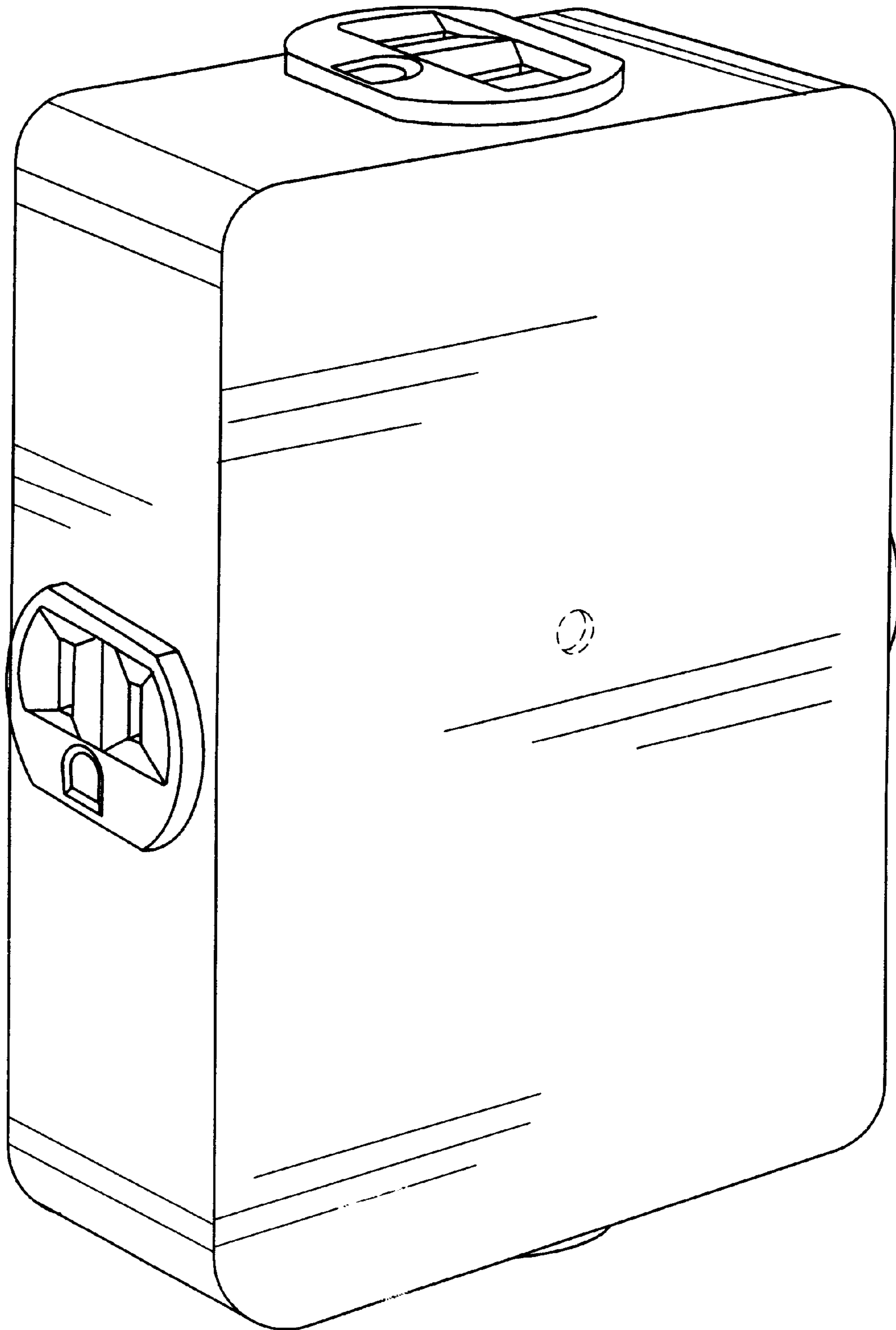


FIG. 12

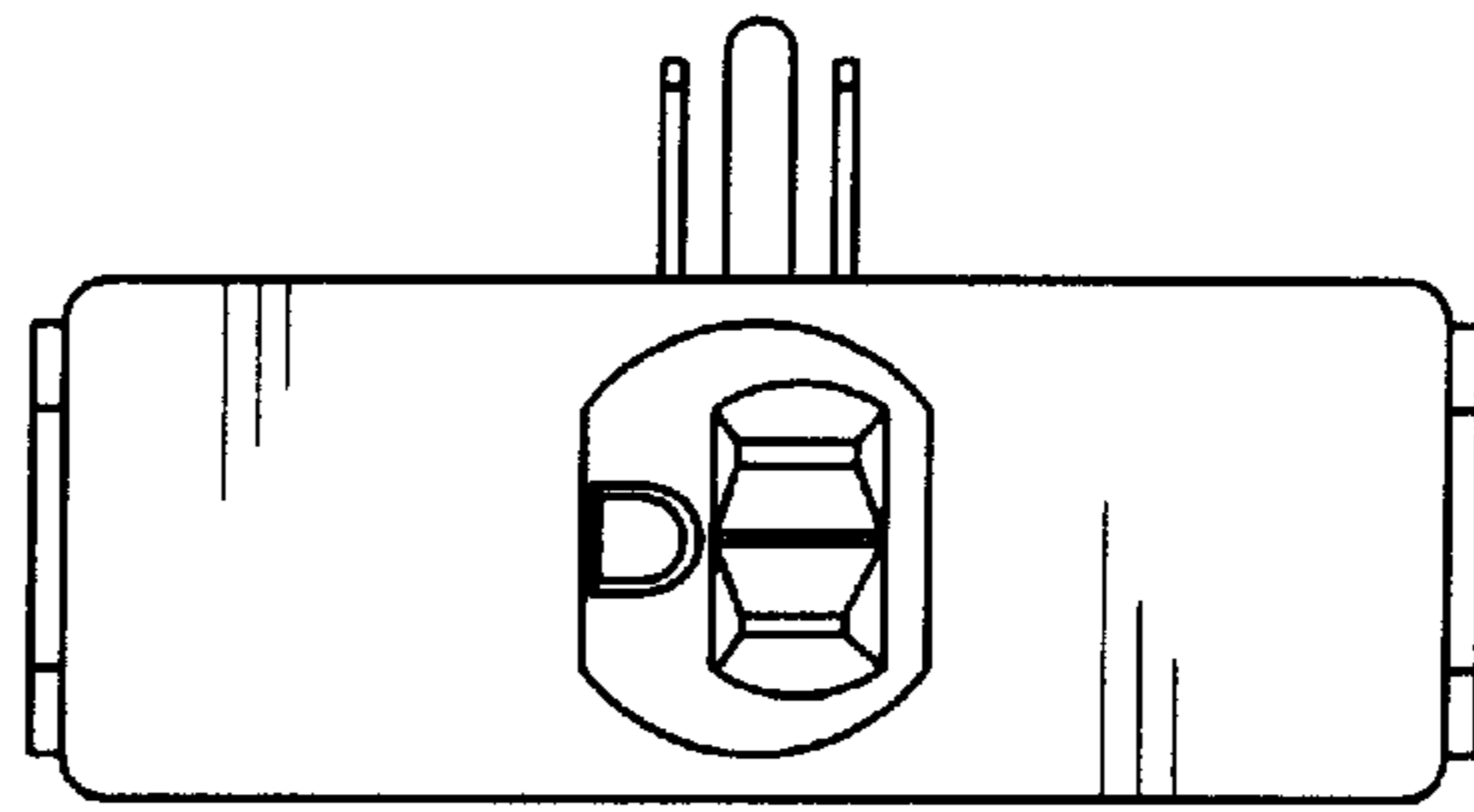


FIG. 11

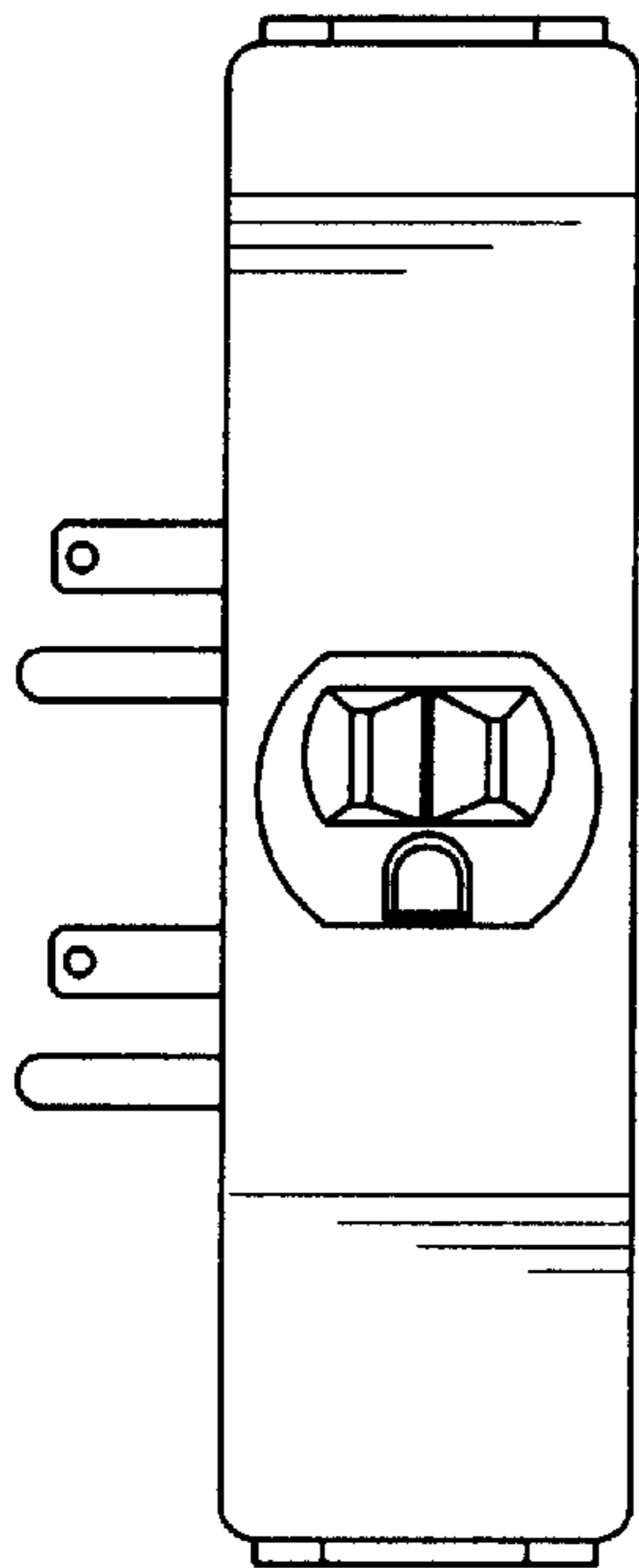


FIG. 9

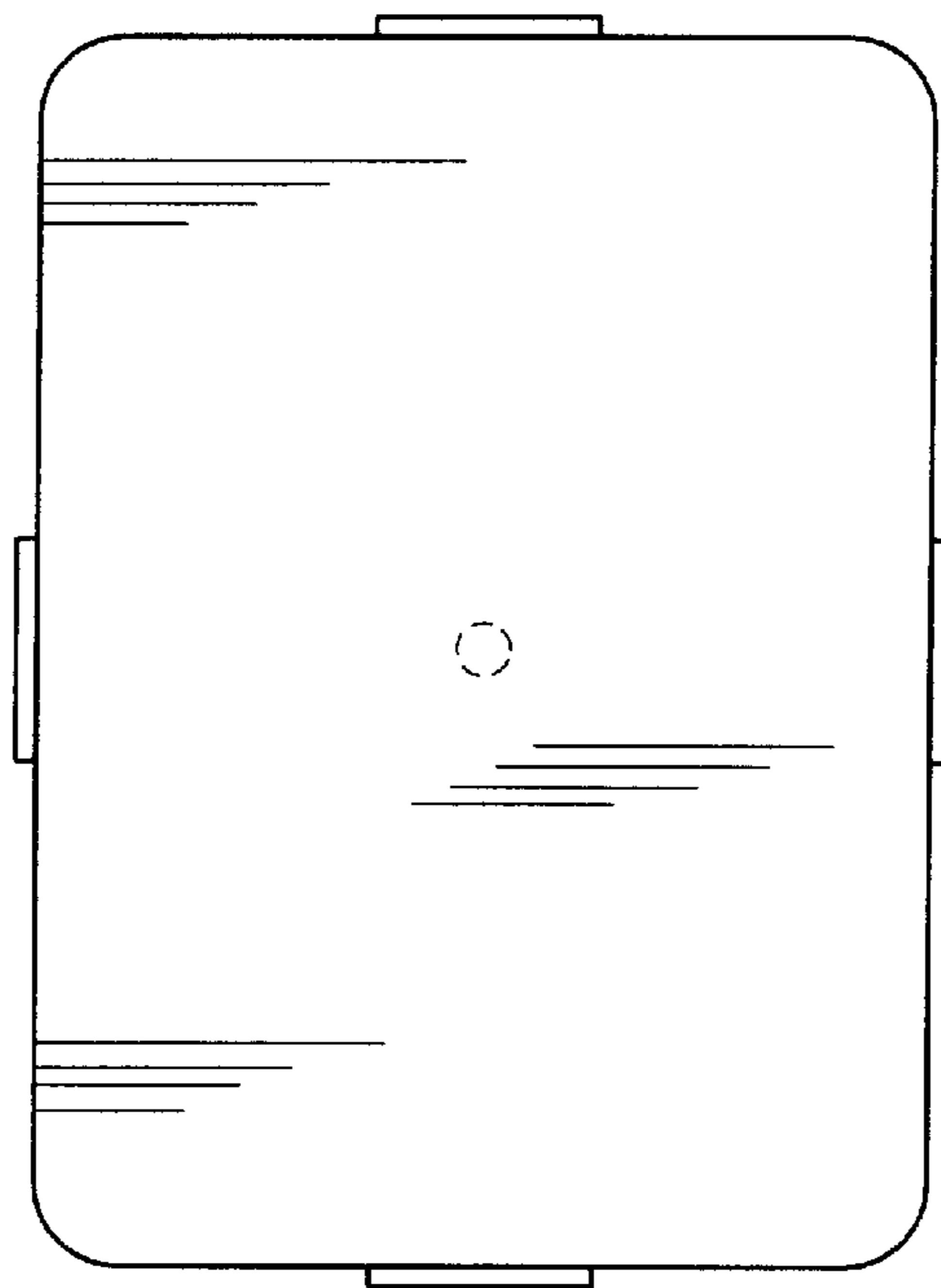


FIG. 10

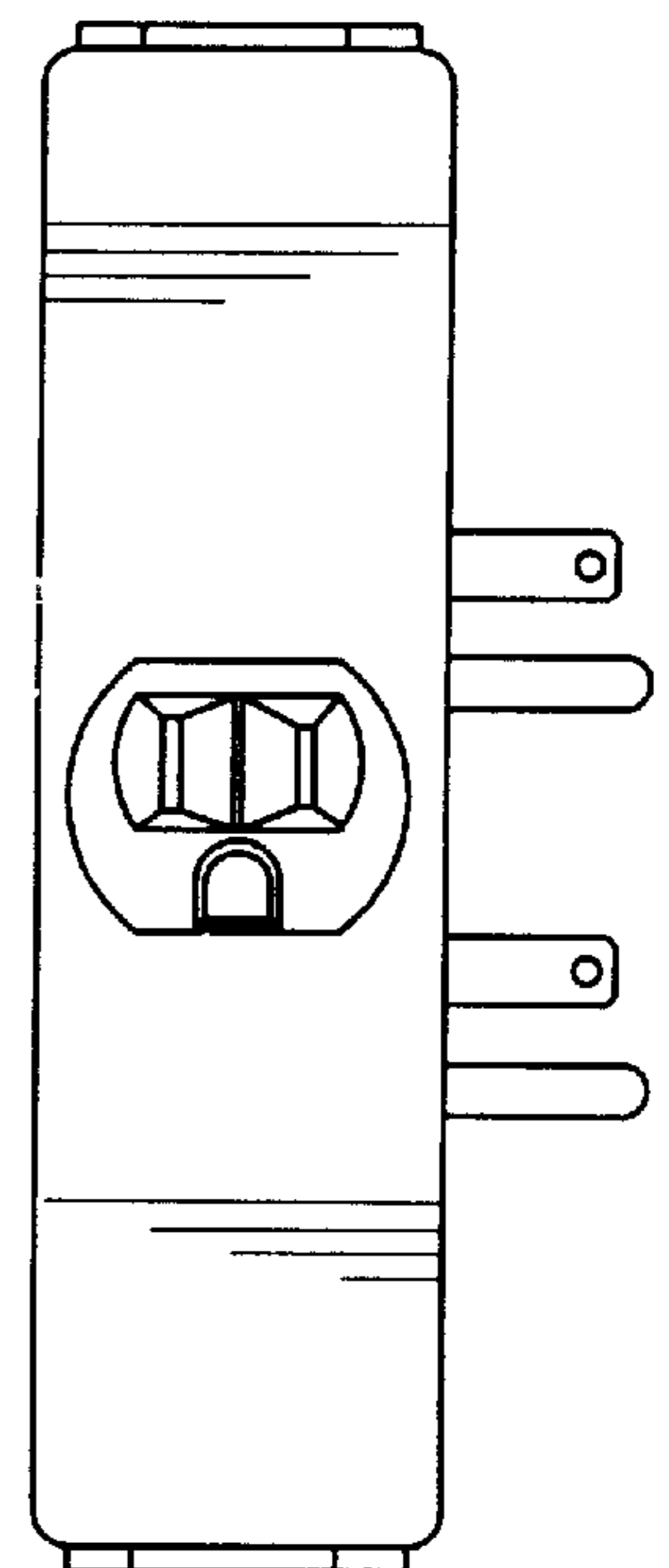


FIG. 13

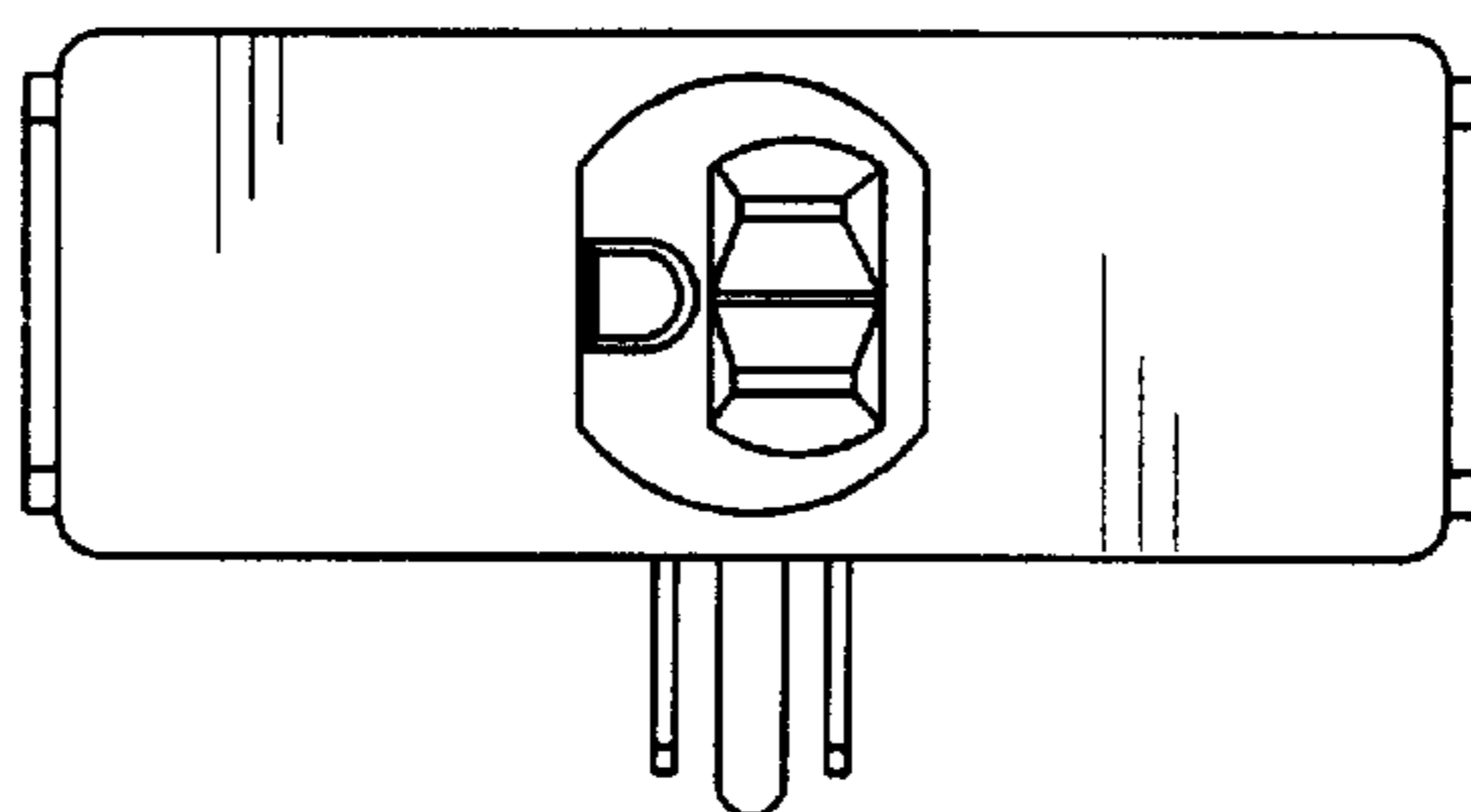


FIG. 14

