



US00D469401S

(12) **United States Design Patent**
Griffey et al.

(10) **Patent No.:** **US D469,401 S**

(45) **Date of Patent:** **** Jan. 28, 2003**

(54) **MOBILE AC POWER UNIT**

(75) Inventors: **Tammy M. Griffey**, Fishers, IN (US);
Ronald Henry Dybalski, Oxford, MI (US);
Dane E. Carter, Noblesville, IN (US);
Vincent Lee Brooks, Troy, MI (US)

(73) Assignee: **Delphi Technologies, Inc.**, Troy, MI (US)

(**) Term: **14 Years**

(21) Appl. No.: **29/123,830**

(22) Filed: **May 25, 2000**

(51) **LOC (7) Cl.** **13-02**

(52) **U.S. Cl.** **D13/110**

(58) **Field of Search** D13/110, 123;
320/104, 111, 112, 114, 113; 307/150, 151,
64, 23

(56) **References Cited**

U.S. PATENT DOCUMENTS

2,978,596 A * 4/1961 Robirds 307/151

2,991,376 A * 7/1961 Sherwood et al. 307/156
3,963,972 A * 6/1976 Todd 320/112
4,160,857 A * 7/1979 Nardella et al. 429/97
4,791,347 A * 12/1988 Britton 320/110

* cited by examiner

Primary Examiner—Joel Sincavage

(74) *Attorney, Agent, or Firm*—Margaret A. Dobrowitsky

(57) **CLAIM**

The ornamental design for mobile AC power unit, substantially as shown and described.

DESCRIPTION

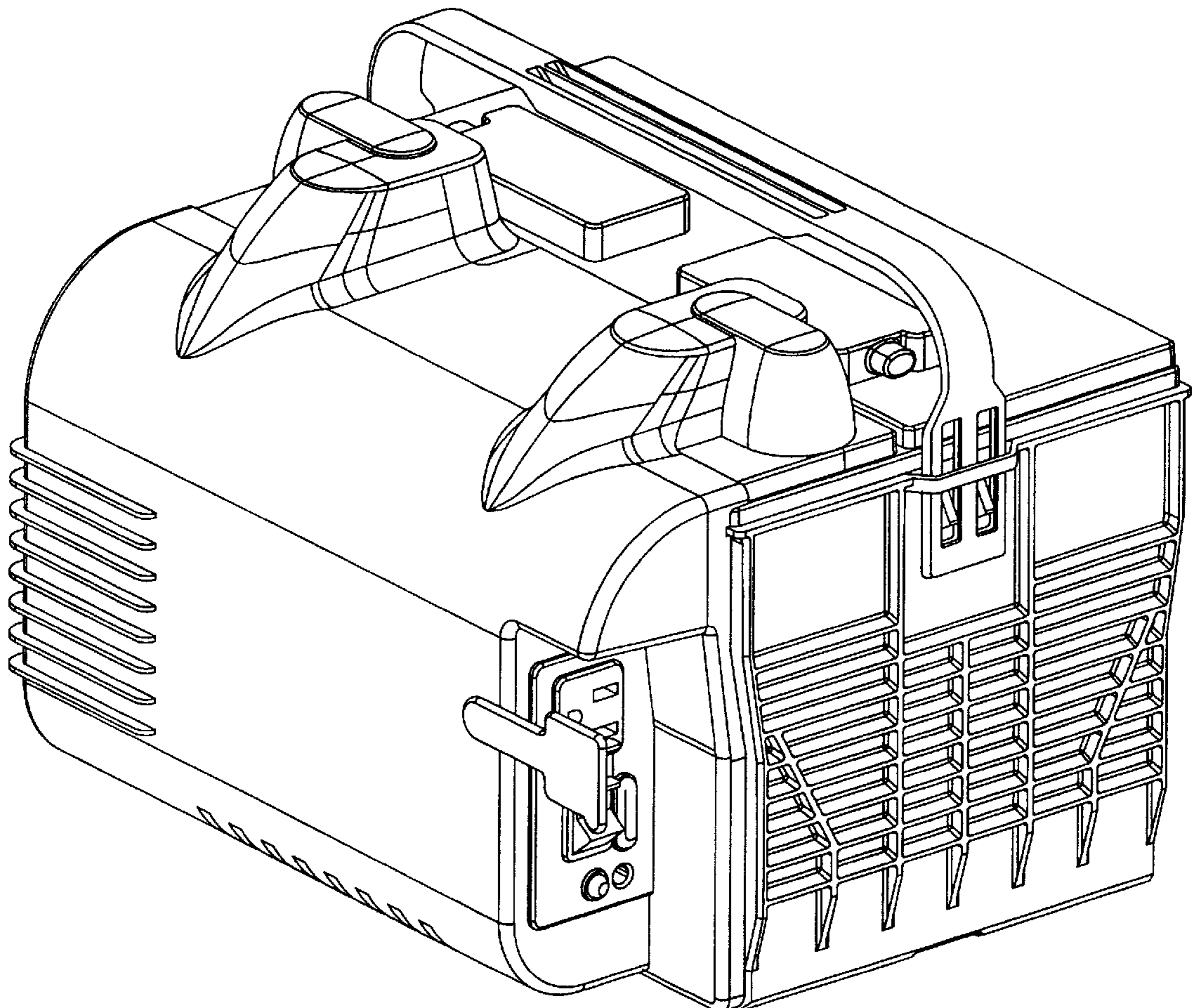
FIG. 1 is a perspective view showing our design for a mobile AC power unit embodying our design;

FIG. 2 is a top plan view of the mobile AC power unit illustrated in FIG. 1;

FIG. 3 is a front elevational view of the mobile AC power unit illustrated in FIG. 1; and,

FIG. 4 is a side elevational view of the mobile AC power unit illustrated in FIG. 1. The broken lines illustrated in FIG. 4 form no part of the claimed design.

1 Claim, 2 Drawing Sheets



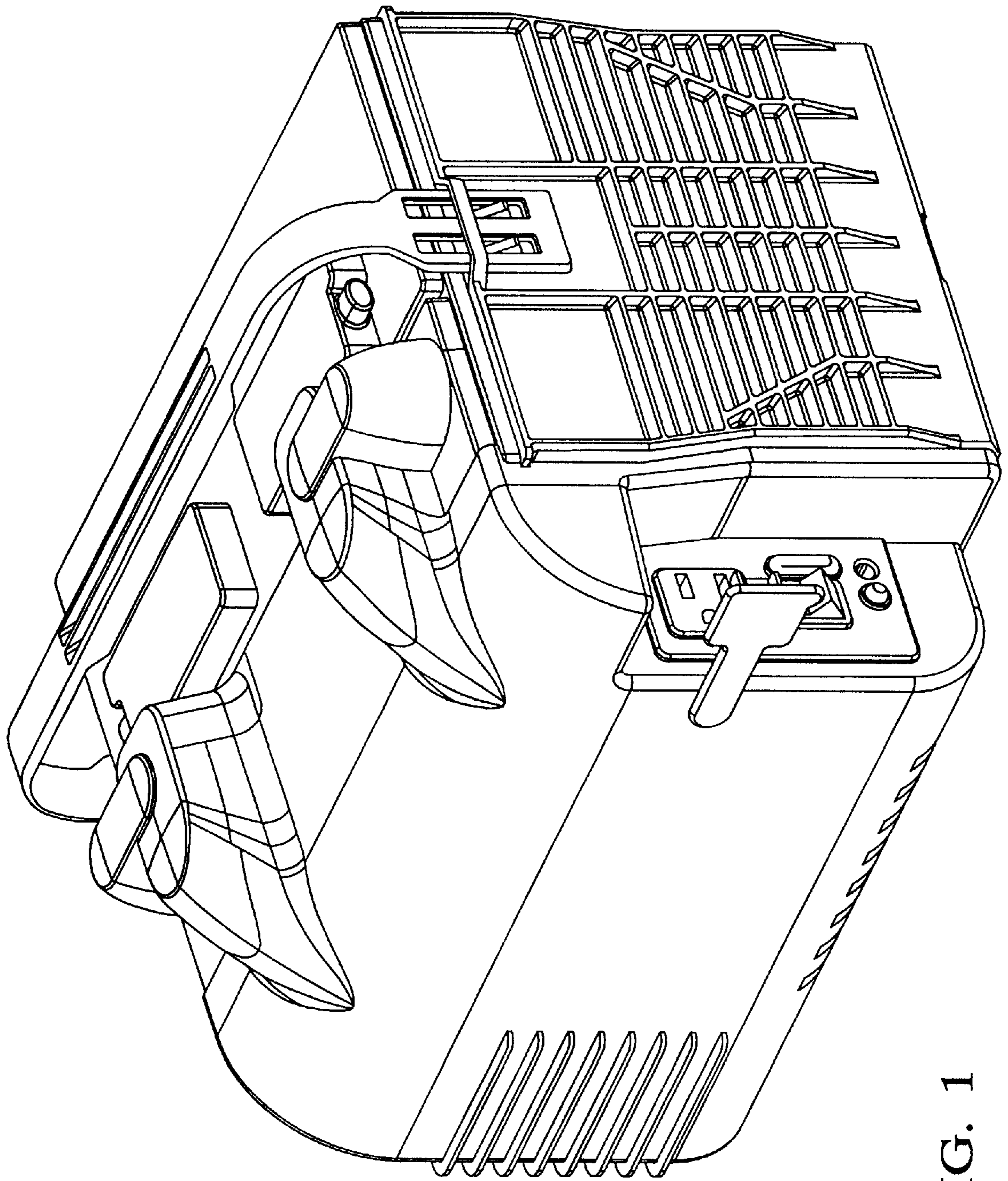


FIG. 1

FIG. 2

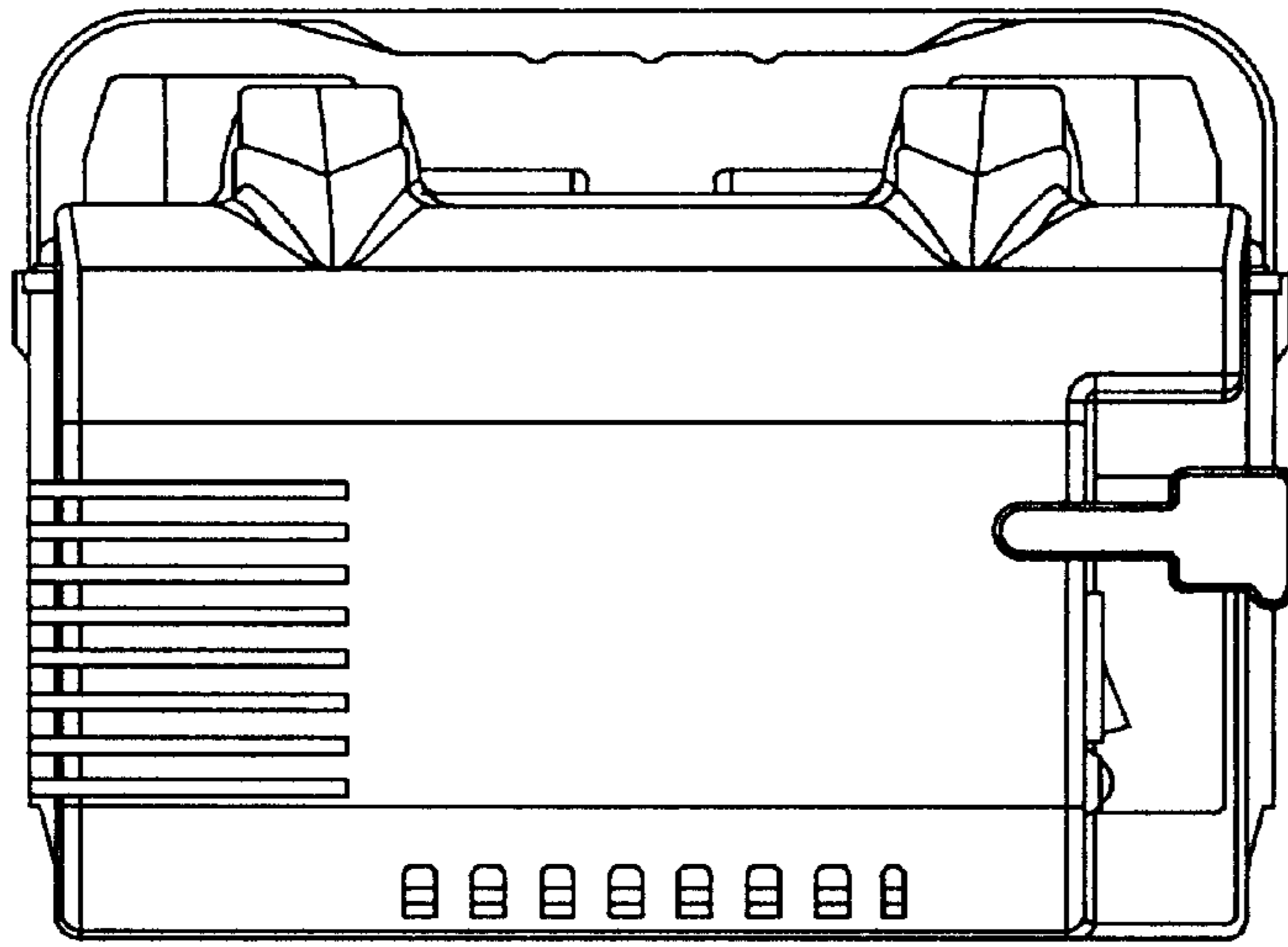


FIG. 3

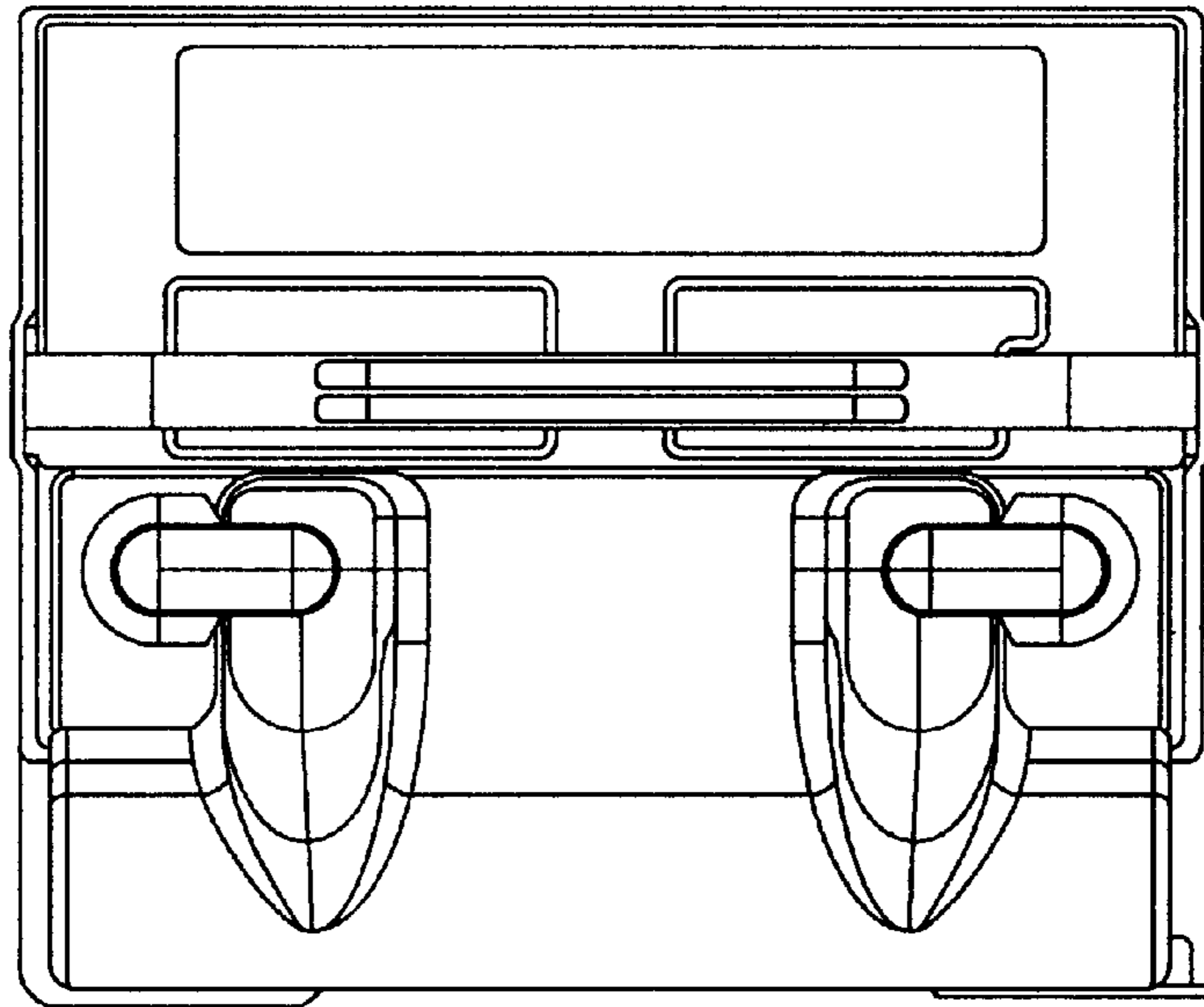


FIG. 4

