



US00D469388S

(12) **United States Design Patent**
Mighell

(10) **Patent No.:** **US D469,388 S**

(45) **Date of Patent:** **** Jan. 28, 2003**

(54) **ATV TRAILER**

(76) **Inventor:** **James Lewis Mighell**, 1629 N. Ash,
P.O. Box 406, Russell, KS (US) 67665

(**) **Term:** **14 Years**

(21) **Appl. No.:** **29/153,248**

(22) **Filed:** **Jan. 4, 2002**

(51) **LOC (7) Cl.** **12-10**

(52) **U.S. Cl.** **D12/101**

(58) **Field of Search** D12/101, 114;
280/47.26, 63, 656, 789

(56) **References Cited**

U.S. PATENT DOCUMENTS

D326,070 S	*	5/1992	Hollingworth	D12/101
D369,328 S	*	4/1996	Acosta	D12/101
D376,564 S	*	12/1996	Wishoe	D12/101
D418,151 S	*	1/2000	Koneckeck	D12/101

* cited by examiner

Primary Examiner—Melody N. Brown

(74) *Attorney, Agent, or Firm*—Goldstein & Lavas, P.C.

(57) **CLAIM**

The ornamental design for an ATV trailer, as shown and described.

DESCRIPTION

FIG. 1 is a perspective view of an ATV trailer in full lines with an ATV shown in broken lines representing environmental association matter being for illustrative purposes only and forming no part of the claimed invention.

FIG. 2 is a front elevational view of the ATV trailer.

FIG. 3 is a rear elevational view thereof.

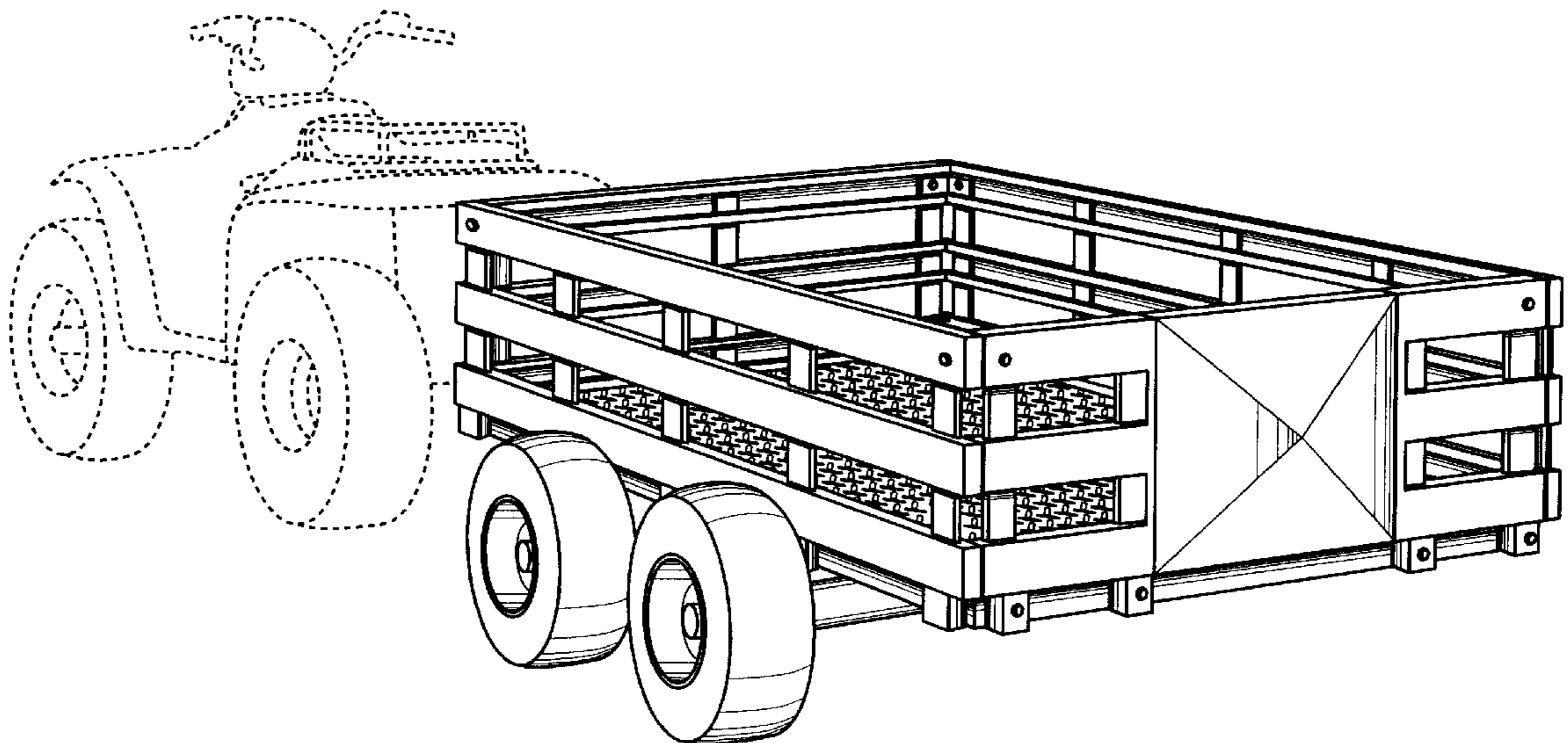
FIG. 4 is a right side elevational view thereof.

FIG. 5 is a left side elevational view thereof.

FIG. 6 is a top plan view thereof; and,

FIG. 7 is a bottom plan view thereof.

1 Claim, 4 Drawing Sheets



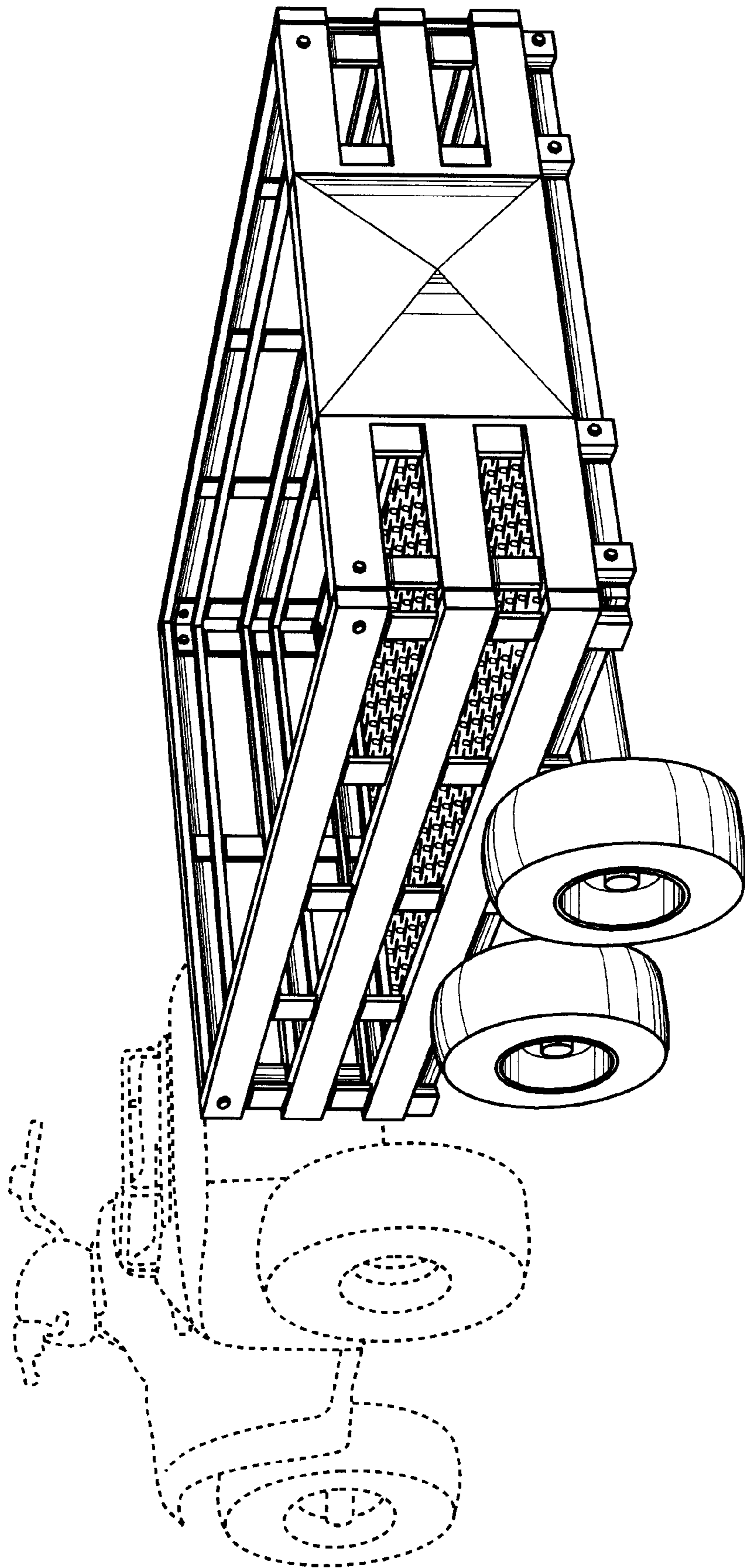


FIG. 1

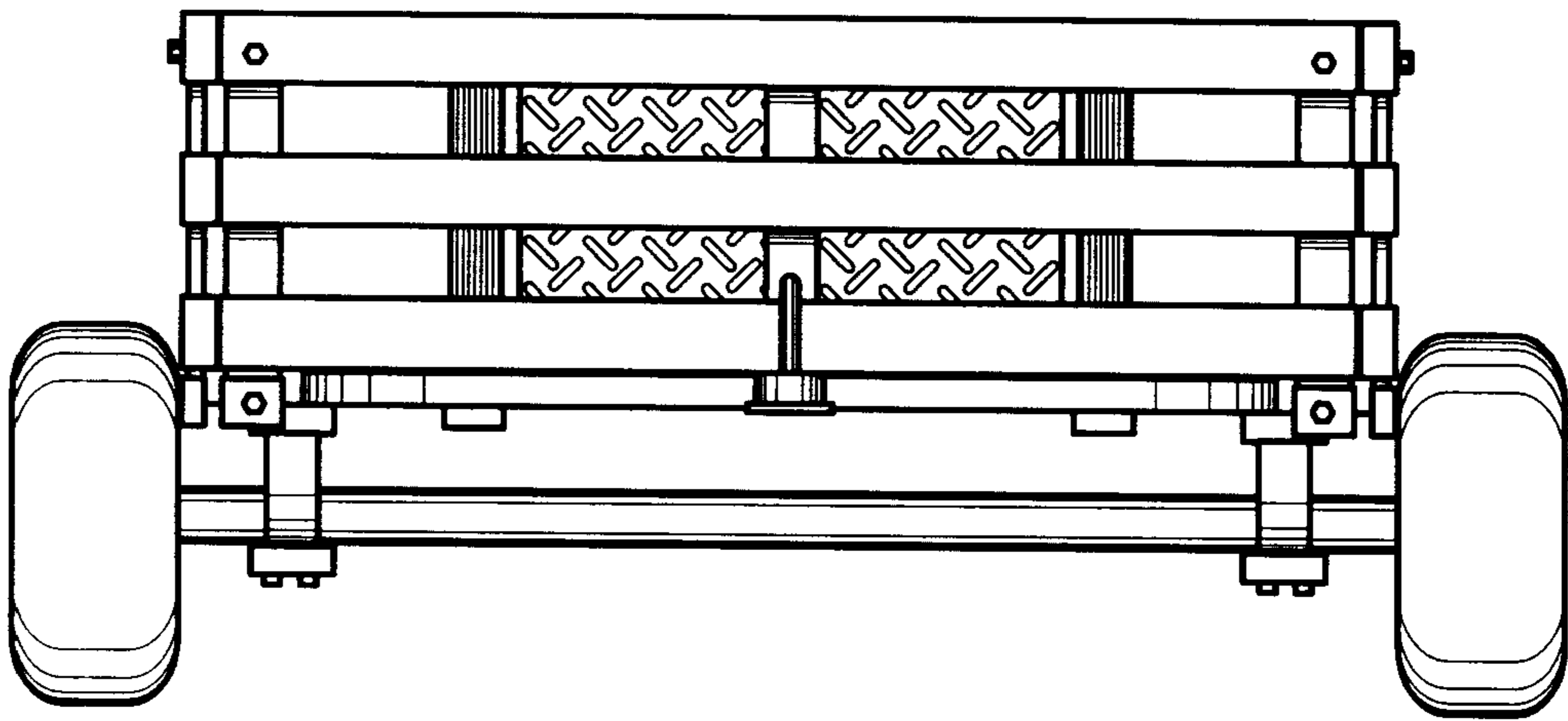


FIG. 2

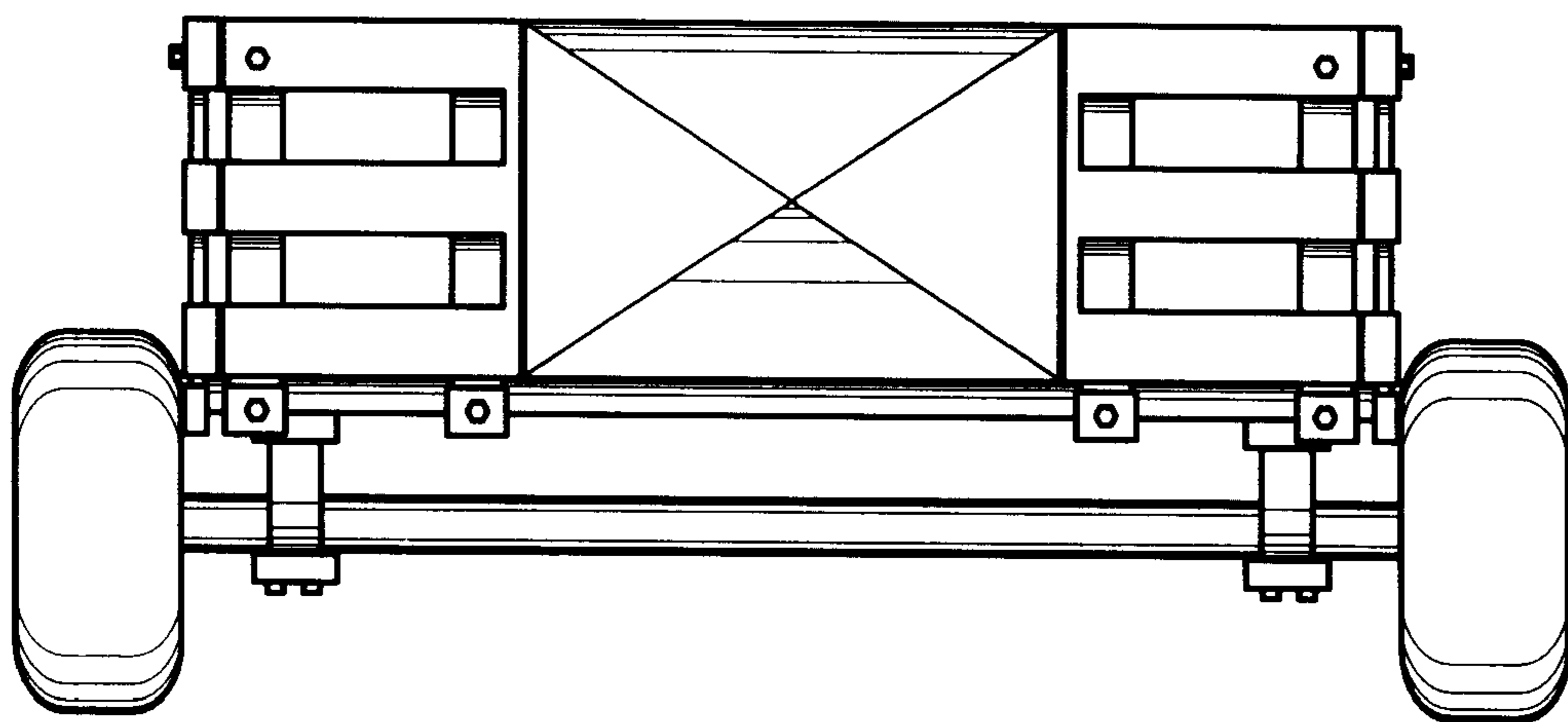


FIG. 3

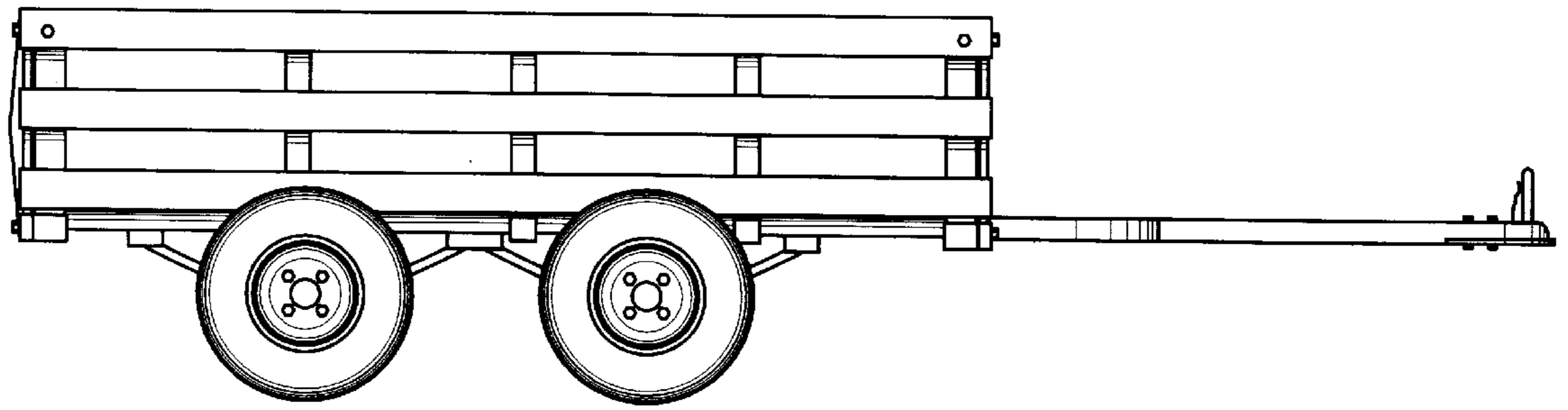


FIG. 4

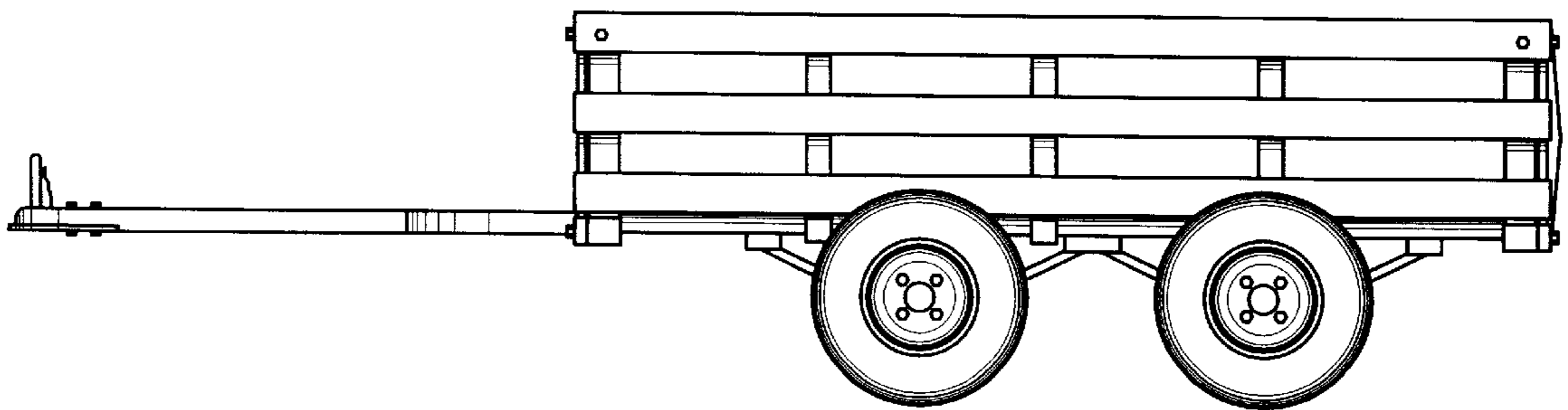


FIG. 5

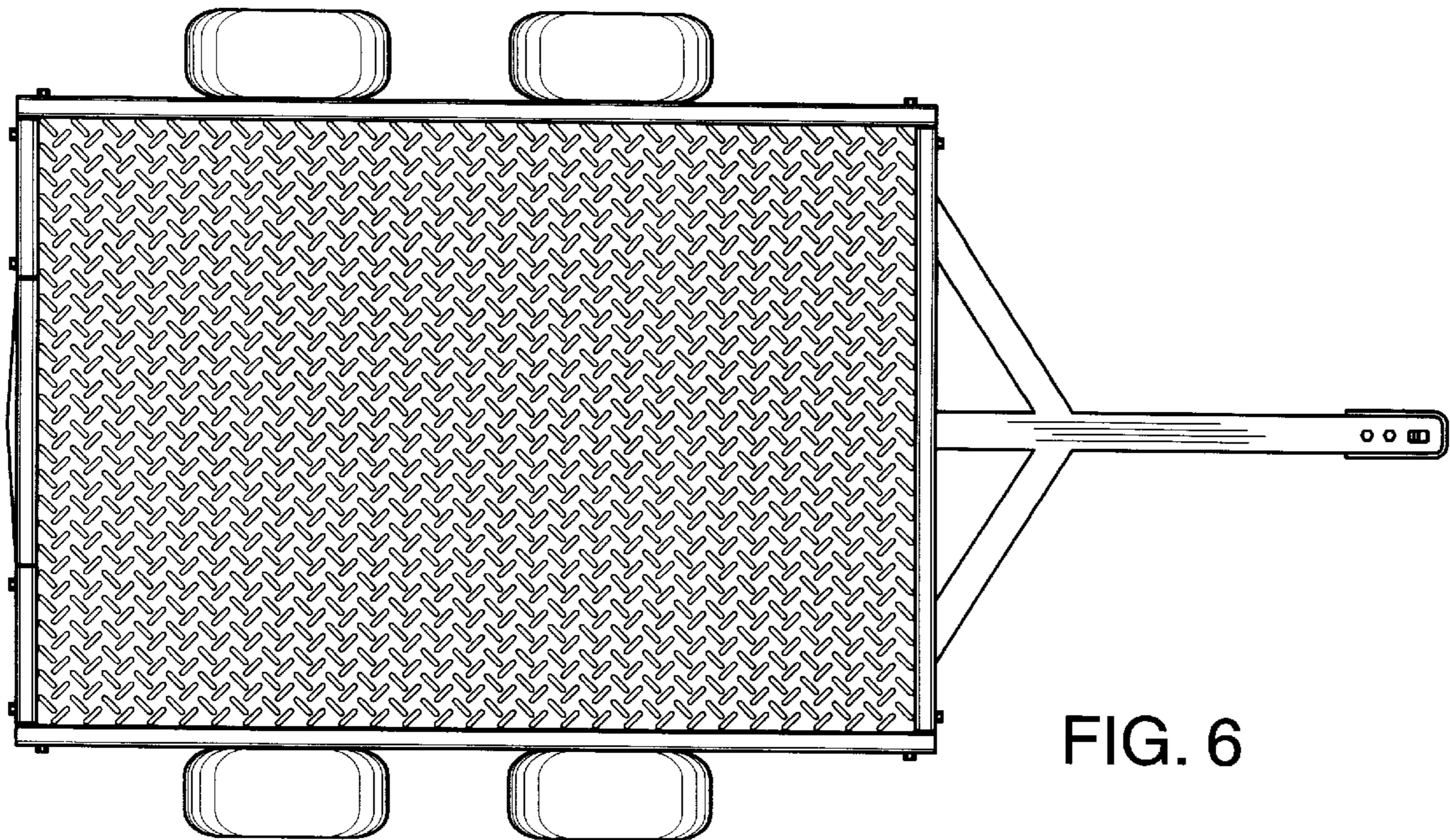


FIG. 6

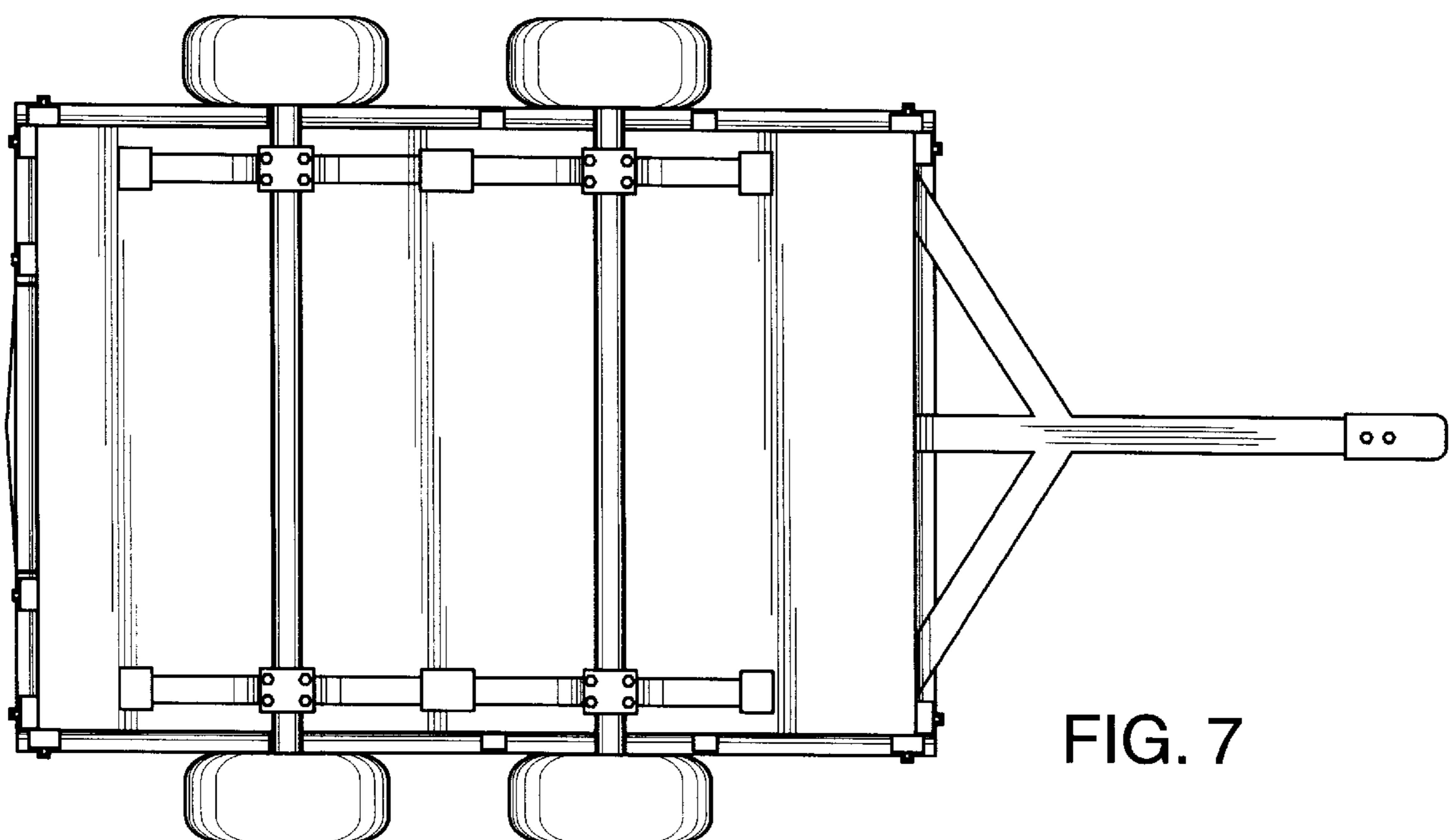


FIG. 7